



US00D597713S

(12) **United States Design Patent**
Brown et al.

(10) **Patent No.:** **US D597,713 S**

(45) **Date of Patent:** **** Aug. 4, 2009**

(54) **VACUUM CLEANER**

(75) Inventors: **Morgan Brown**, Lenapah, OK (US);
Masakazu Umeda, Kadoma (JP)

(73) Assignee: **Panasonic Corporation**, Osaka (JP)

(**) Term: **14 Years**

(21) Appl. No.: **29/320,735**

(22) Filed: **Jul. 2, 2008**

(51) **LOC (9) Cl.** **15-05**

(52) **U.S. Cl.** **D32/21**

(58) **Field of Classification Search** D32/1,
D32/21, 31, 18; 15/327.1-327.7, 340.2,
15/412, 320-321, 329, 323, 246.2, 353, DIG. 1,
15/247, 347, 344; 417/234; 55/459.1, DIG. 3,
55/345, 337, 429, 460; 95/271; 210/512.1
See application file for complete search history.

(56) **References Cited**

U.S. PATENT DOCUMENTS

D338,293 S	8/1993	Kojima et al.	
D344,373 S	2/1994	Haverkamp	
D377,854 S *	2/1997	Clouet	D32/21
D398,093 S *	9/1998	Fujima	D32/21
D403,475 S *	12/1998	Mehaffey et al.	D32/21
D417,323 S *	11/1999	Fujita et al.	D32/21

D446,363 S *	8/2001	Sato et al.	D32/21
D488,598 S *	4/2004	Wakasa	D32/21
D494,328 S *	8/2004	Otsuka et al.	D32/21
D495,455 S *	8/2004	Brown et al.	D32/21
D503,250 S *	3/2005	Choi	D32/21
D506,856 S *	6/2005	Schroter	D32/21
D559,482 S *	1/2008	Jansson et al.	D32/21
D572,421 S *	7/2008	Schroeter	D32/21

* cited by examiner

Primary Examiner—Ruth McInroy

(74) *Attorney, Agent, or Firm*—Brinks Hofer Gilson & Lione

(57) **CLAIM**

We claim the ornamental design for a vacuum cleaner, as shown and described.

DESCRIPTION

FIG. 1 is a top perspective view of a vacuum cleaner of the present invention;

FIG. 2 is a front view thereof;

FIG. 3 is a top view thereof;

FIG. 4 is a bottom view thereof;

FIG. 5 is a right side view thereof, the left side view being a mirror image thereof; and,

FIG. 6 is a rear view thereof.

1 Claim, 6 Drawing Sheets

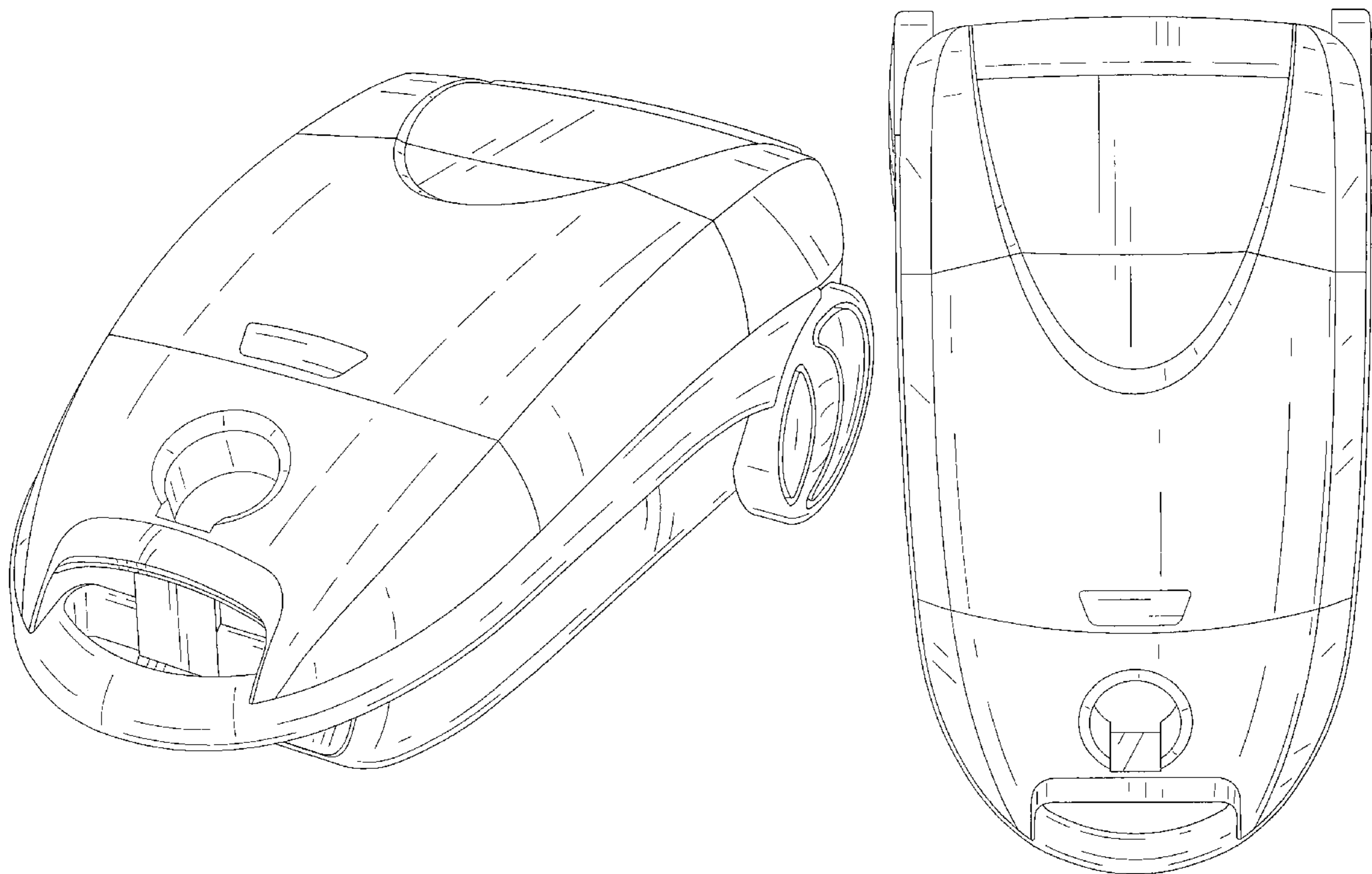


FIG.1

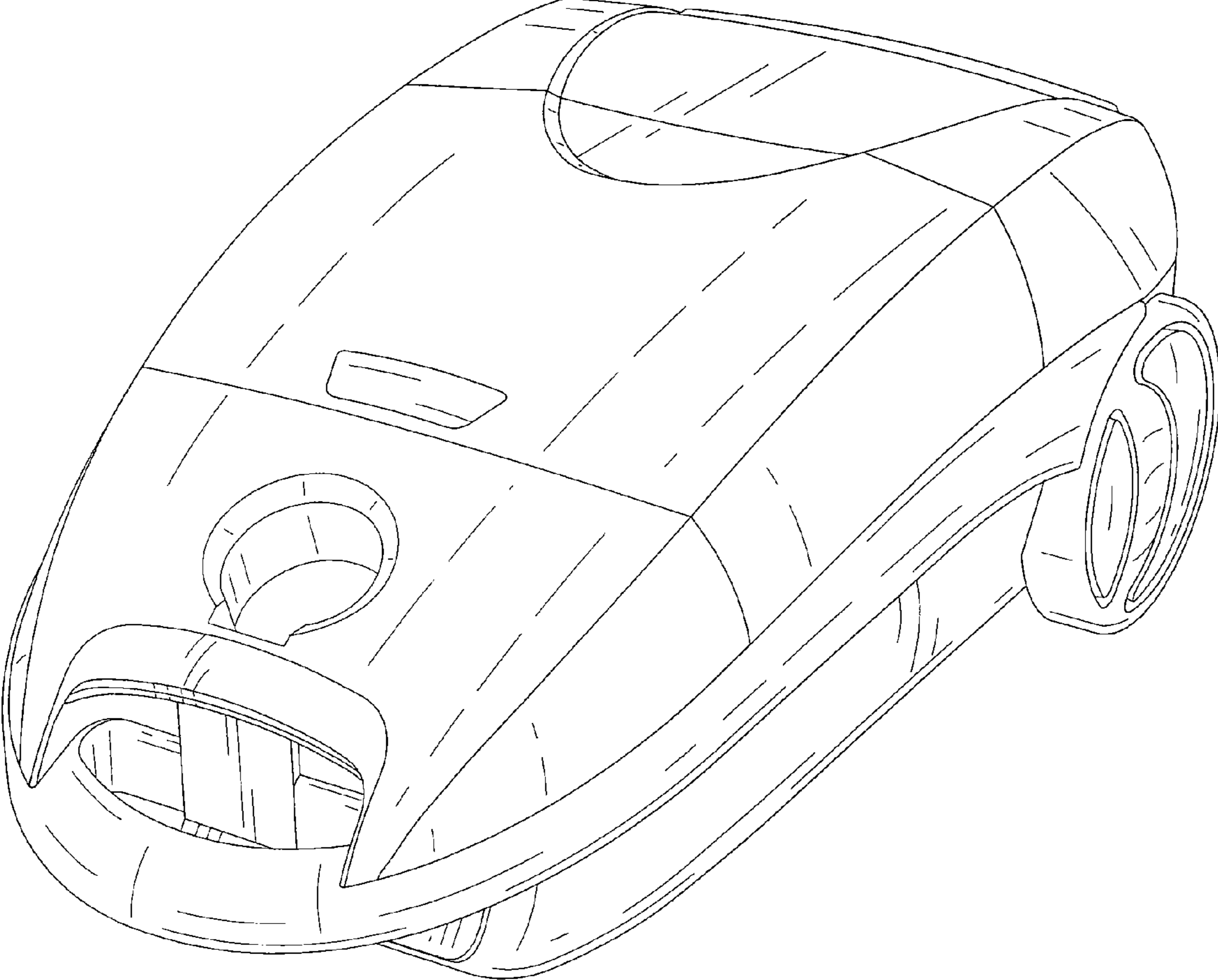


FIG.2

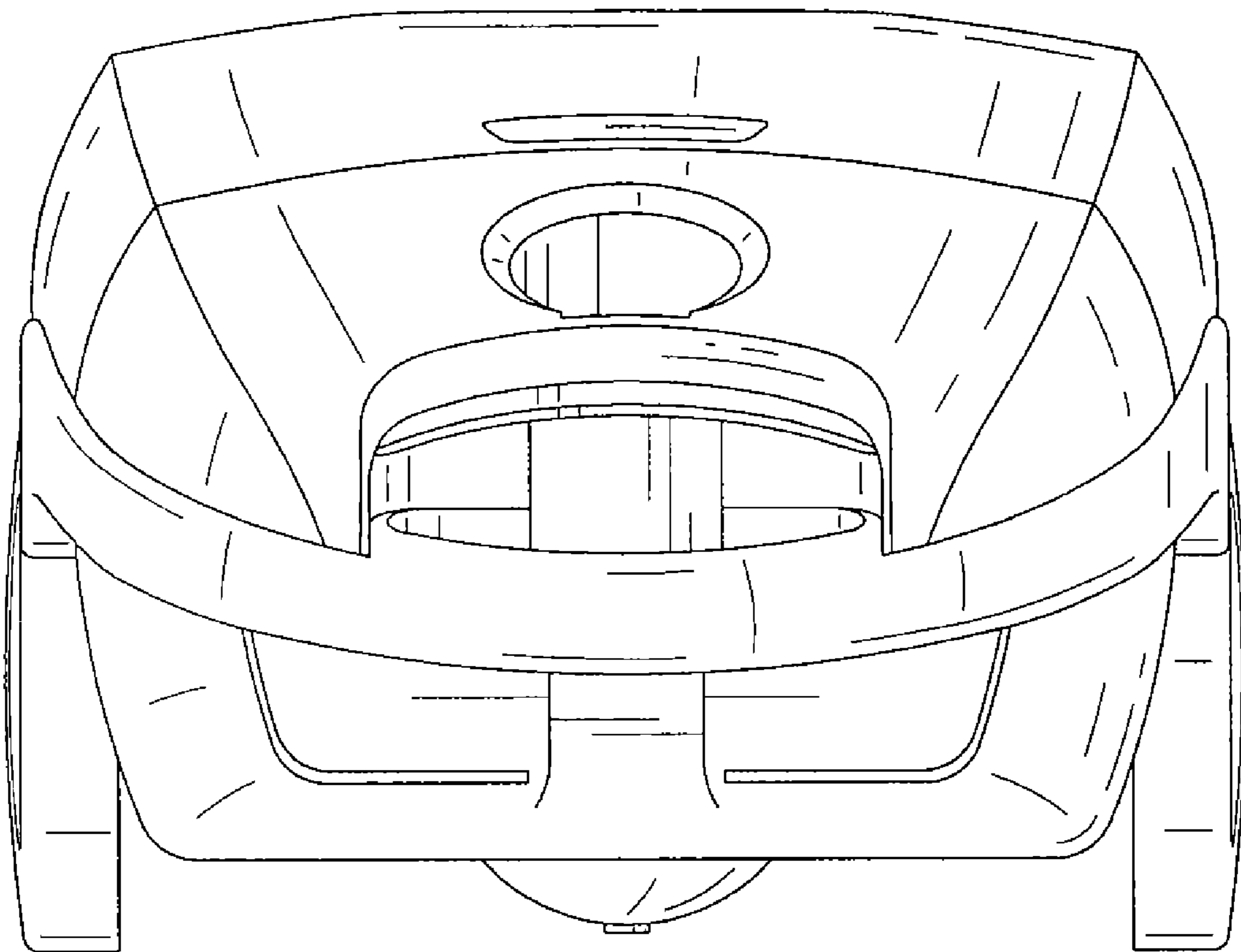


FIG.3

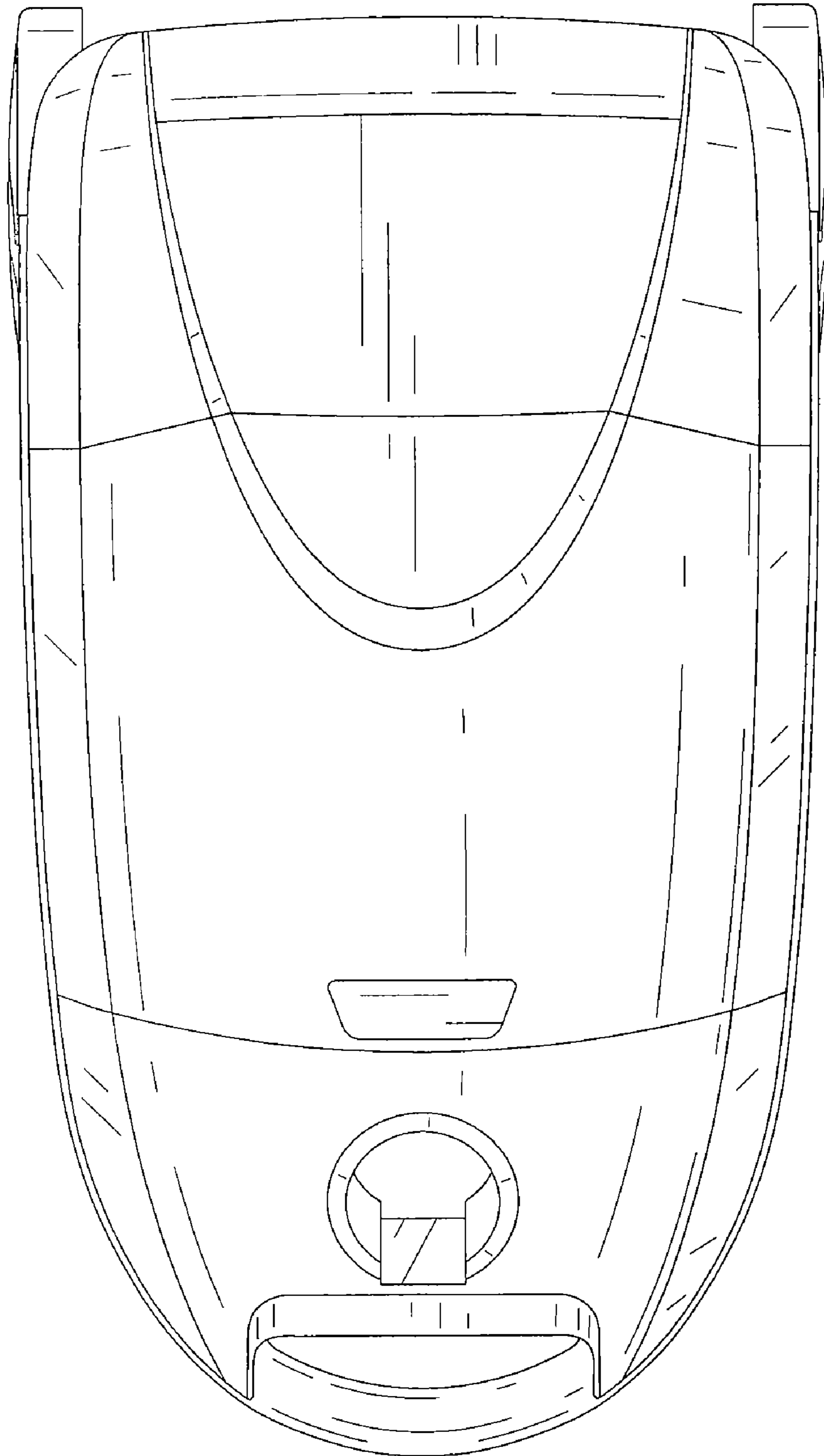


FIG.4

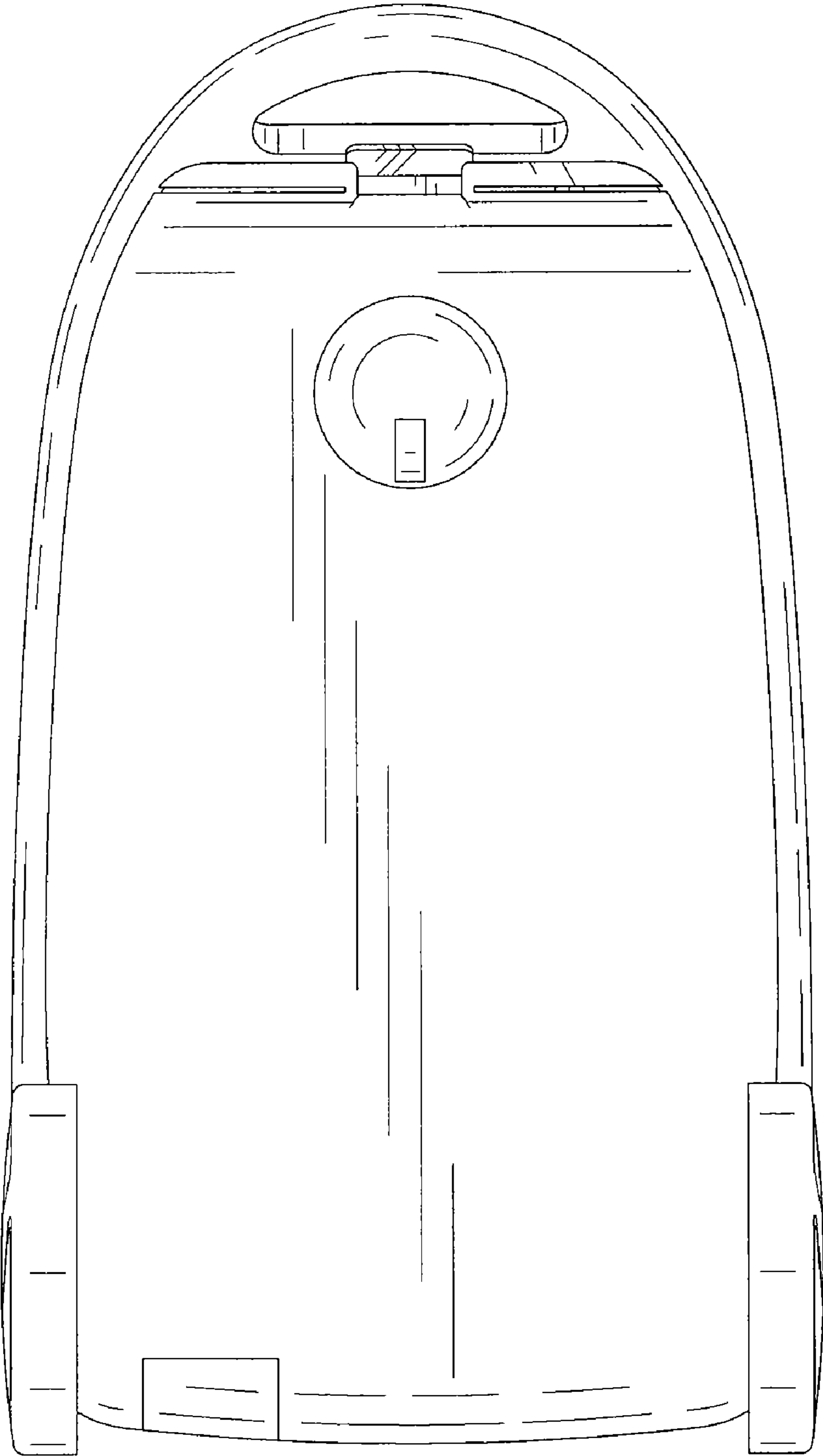


FIG.5

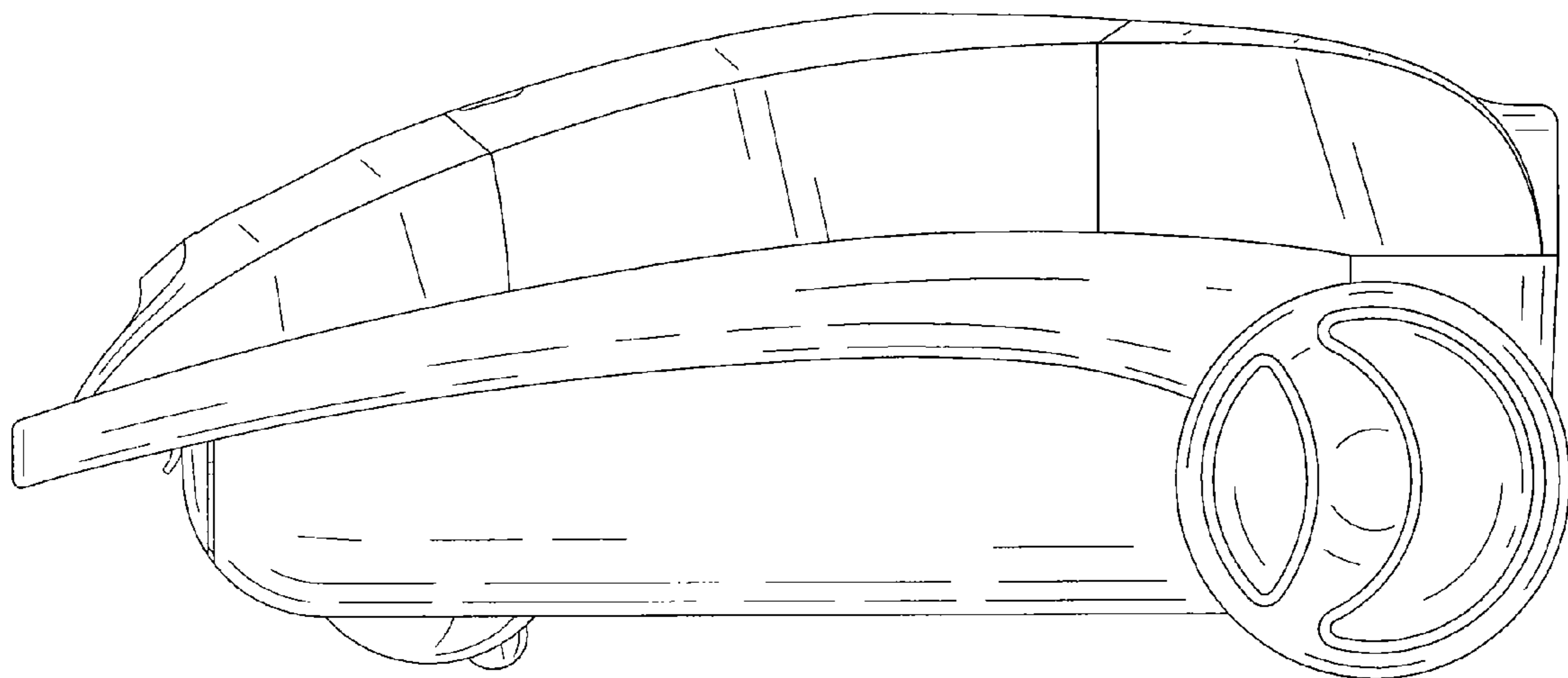


FIG.6

