



US00D597706S

(12) **United States Design Patent**
Kato et al.

(10) **Patent No.:** **US D597,706 S**

(45) **Date of Patent:** **** Aug. 4, 2009**

(54) **HAND DRYER**

(75) Inventors: **Hiroyuki Kato**, Tokyo (JP); **Kei Kasuga**, Tokyo (JP)

(73) Assignee: **Mitsubishi Electric Corporation**, Tokyo (JP)

(**) Term: **14 Years**

(21) Appl. No.: **29/303,866**

(22) Filed: **Feb. 19, 2008**

(30) **Foreign Application Priority Data**

Aug. 20, 2007 (JP) 2007-022467

(51) **LOC (9) Cl.** **28-03**

(52) **U.S. Cl.** **D28/54.1**

(58) **Field of Classification Search** D28/12,
D28/54.1, 58; 34/266, 201, 202; 392/381,
392/380; D23/357, 361, 385

See application file for complete search history.

(56) **References Cited**

U.S. PATENT DOCUMENTS

4,206,556 A * 6/1980 Sabo et al. 34/90
D277,322 S * 1/1985 West D28/58
D279,412 S * 6/1985 Fung D28/58
D286,211 S * 10/1986 Zinbarg et al. D28/58

D287,297 S * 12/1986 Reid et al. D28/12
D292,326 S * 10/1987 Maass D28/12
D294,740 S * 3/1988 Yonezawa et al. D28/12
4,754,769 A * 7/1988 Flynn 132/73.5
D299,174 S * 12/1988 Shoemaker D28/58
D326,511 S * 5/1992 Chiang D23/328

* cited by examiner

Primary Examiner—Janice E Seeger

Assistant Examiner—Zenia I Bennett

(74) *Attorney, Agent, or Firm*—Sughrue Mion, PLLC

(57) **CLAIM**

The ornamental design for a hand dryer, as shown and described.

DESCRIPTION

FIG. 1 is a perspective view of the hand dryer;

FIG. 2 is a front elevational view of the hand dryer;

FIG. 3 is a rear elevational view of the hand dryer;

FIG. 4 is a top plan view of the hand dryer;

FIG. 5 is a bottom plan view of the hand dryer;

FIG. 6 is a right side elevational view of the hand dryer; and,

FIG. 7 is a left side elevational view of the hand dryer.

The broken lines are for environmental purposes only and form no part of the claimed design.

1 Claim, 7 Drawing Sheets

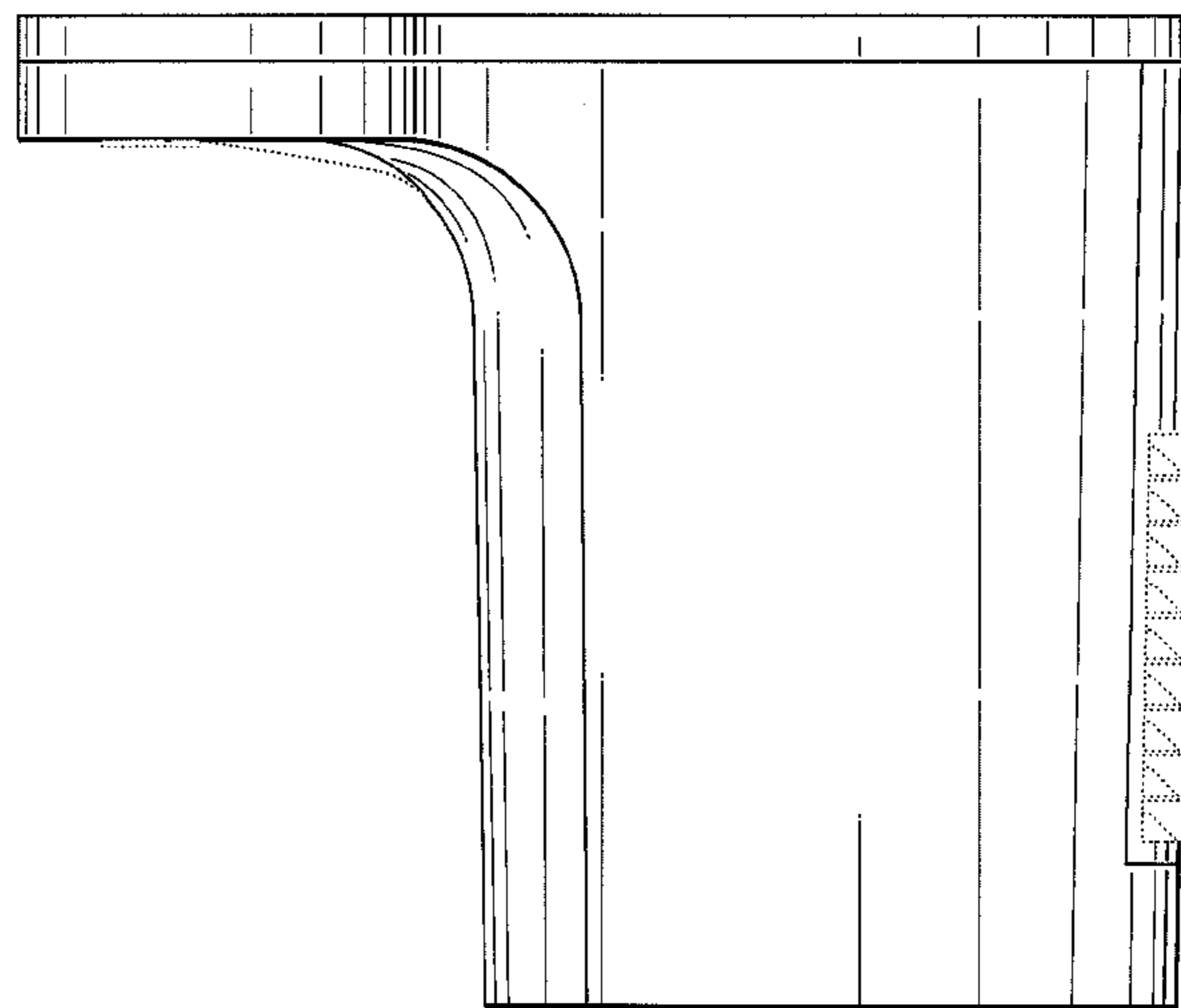
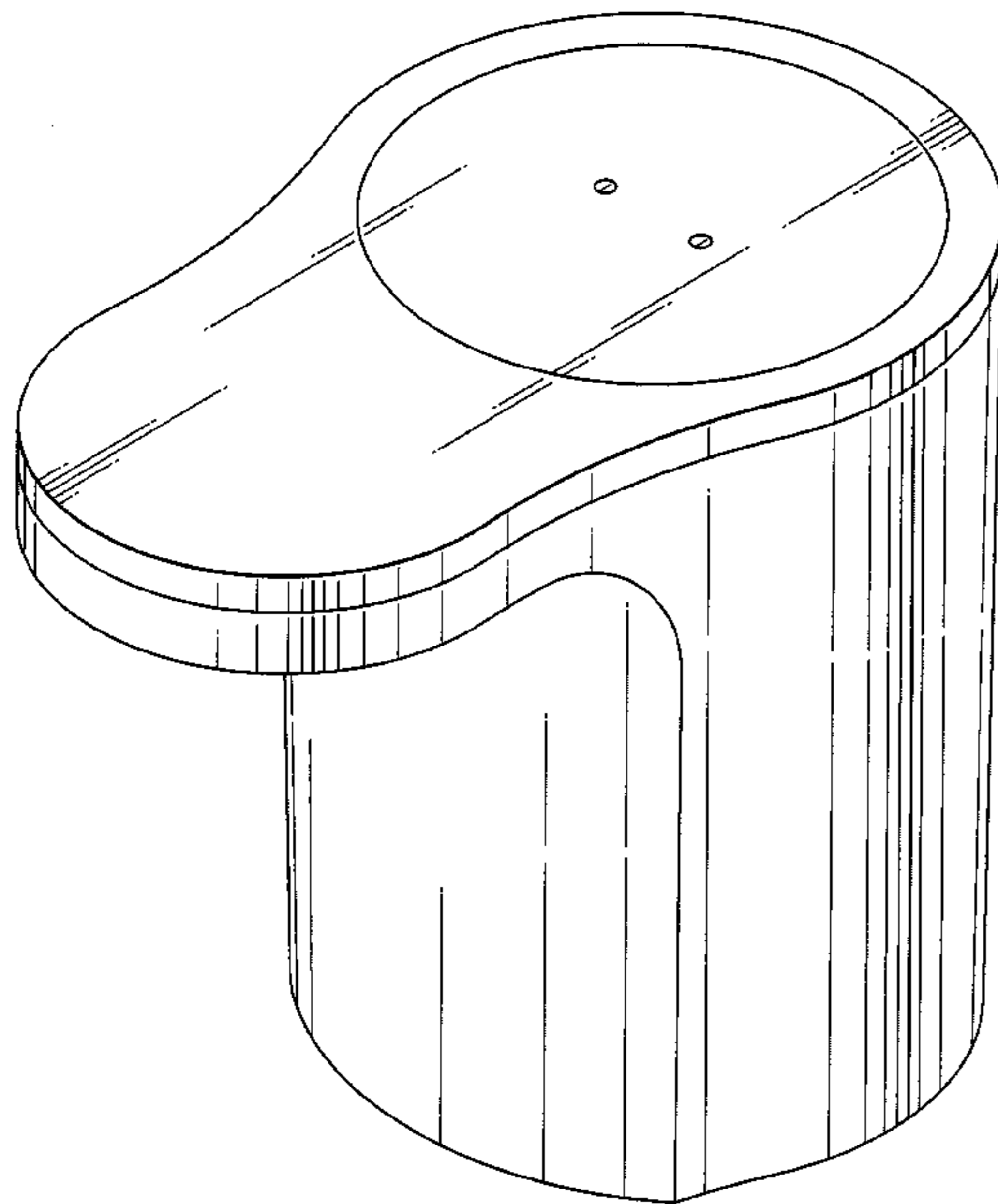


FIG.1

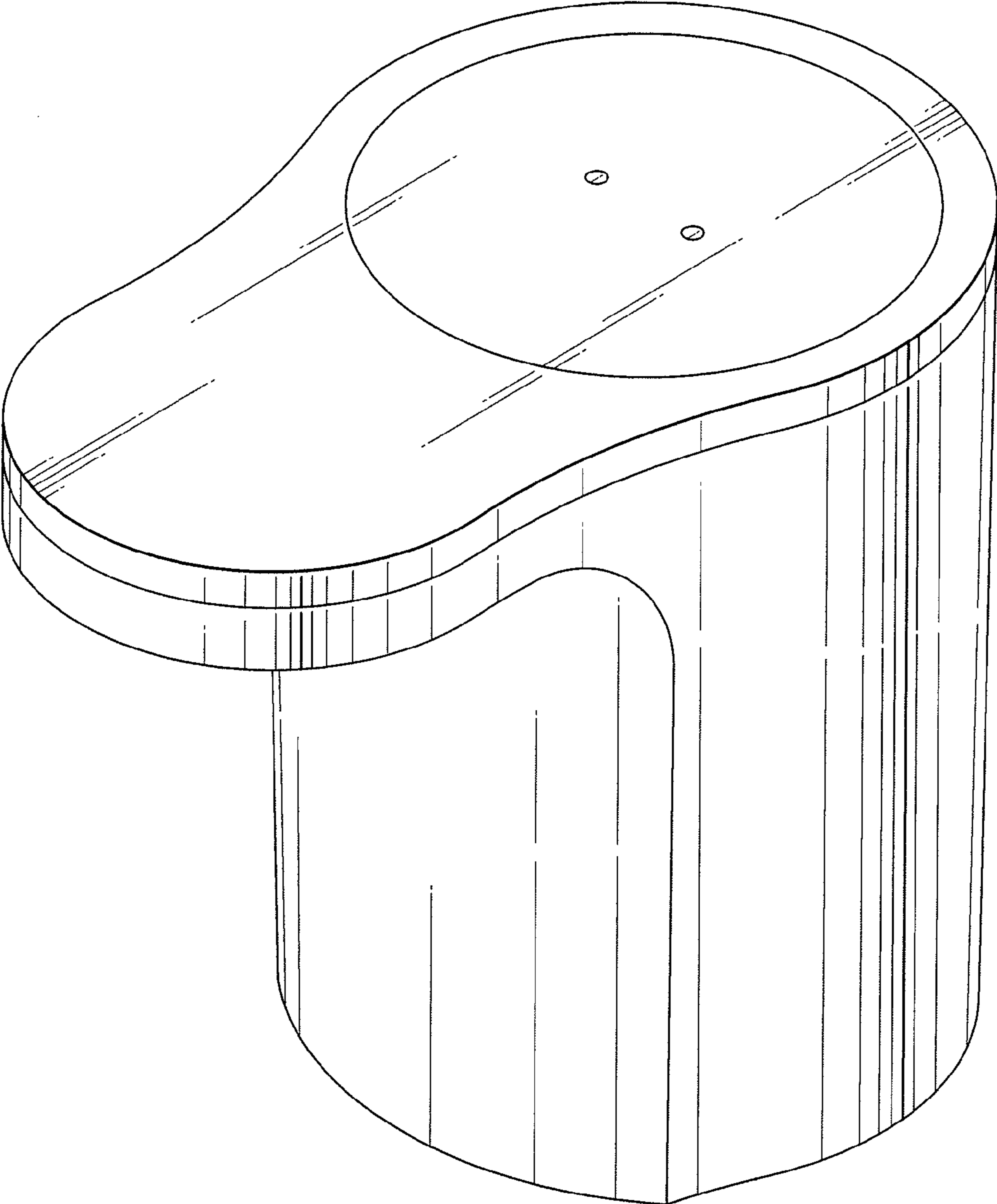


FIG.2

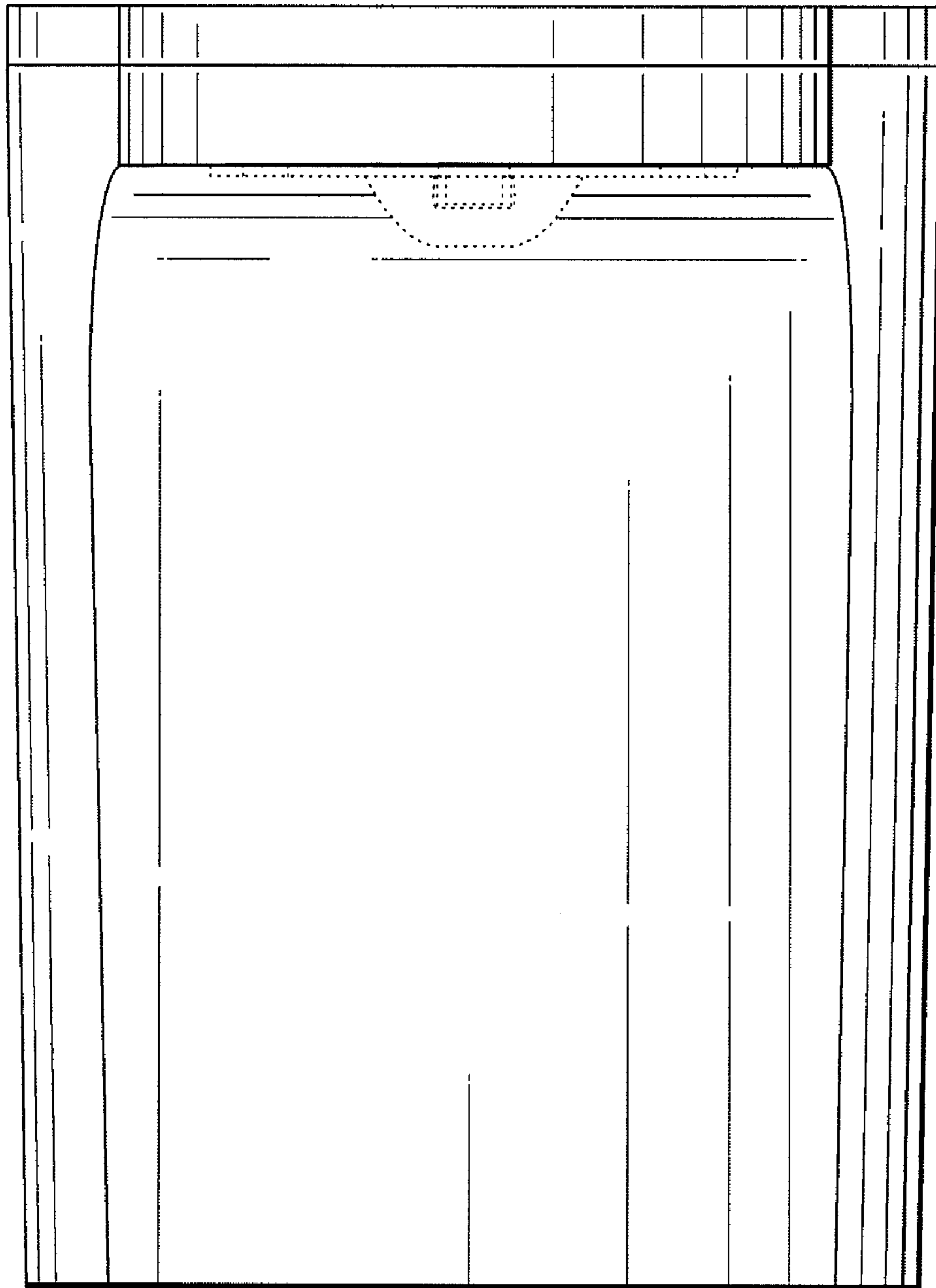


FIG.3

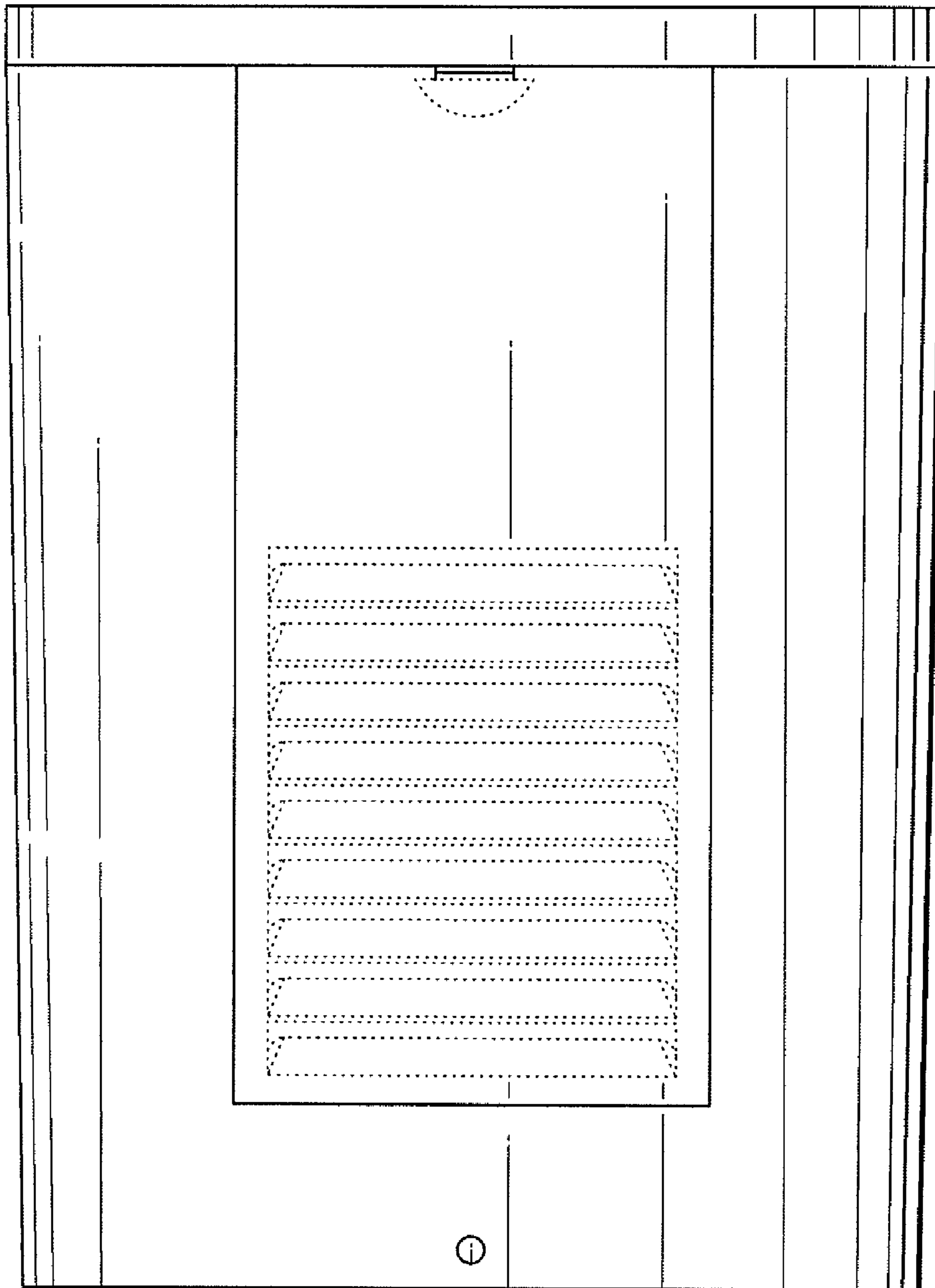


FIG.4

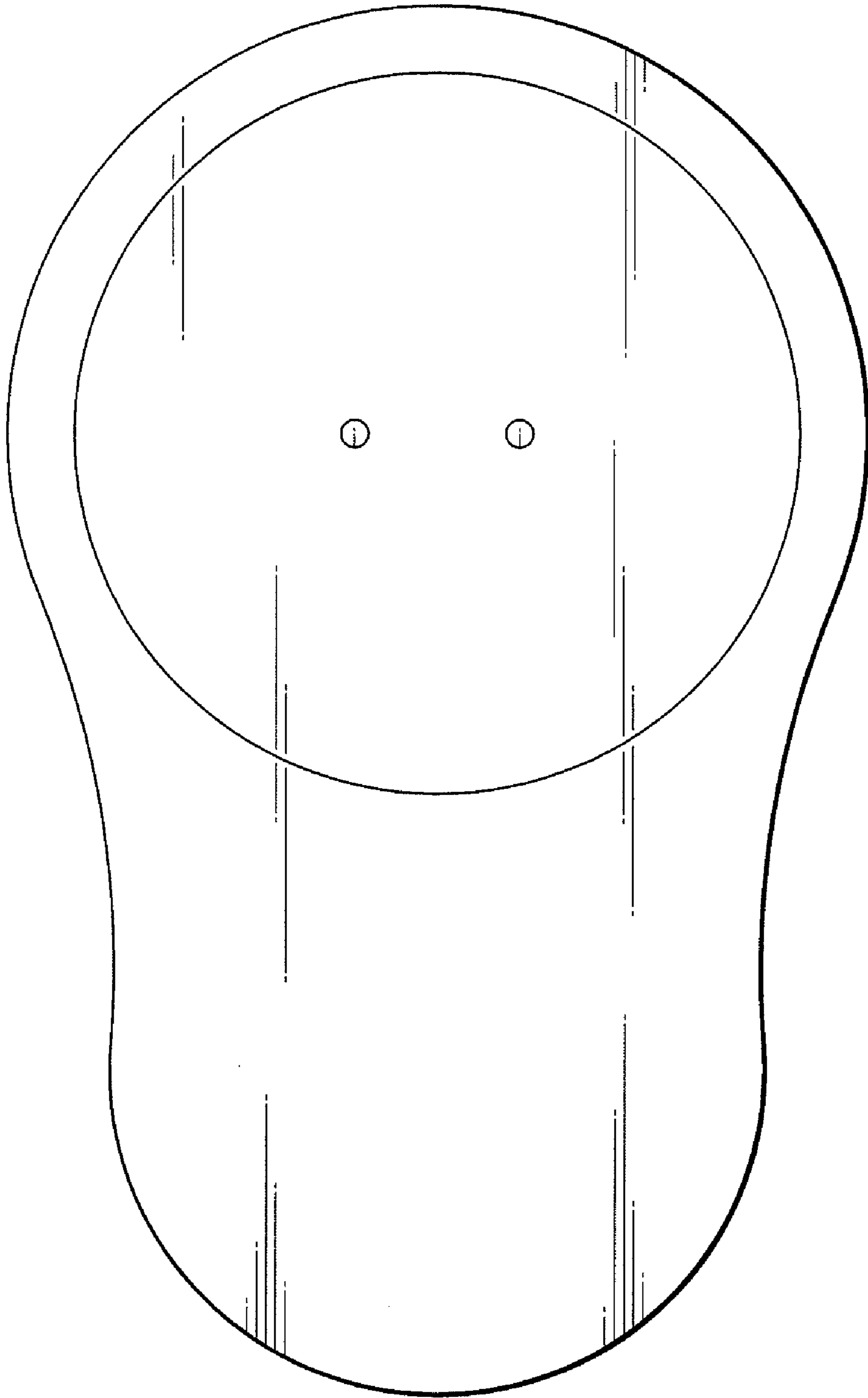


FIG.5

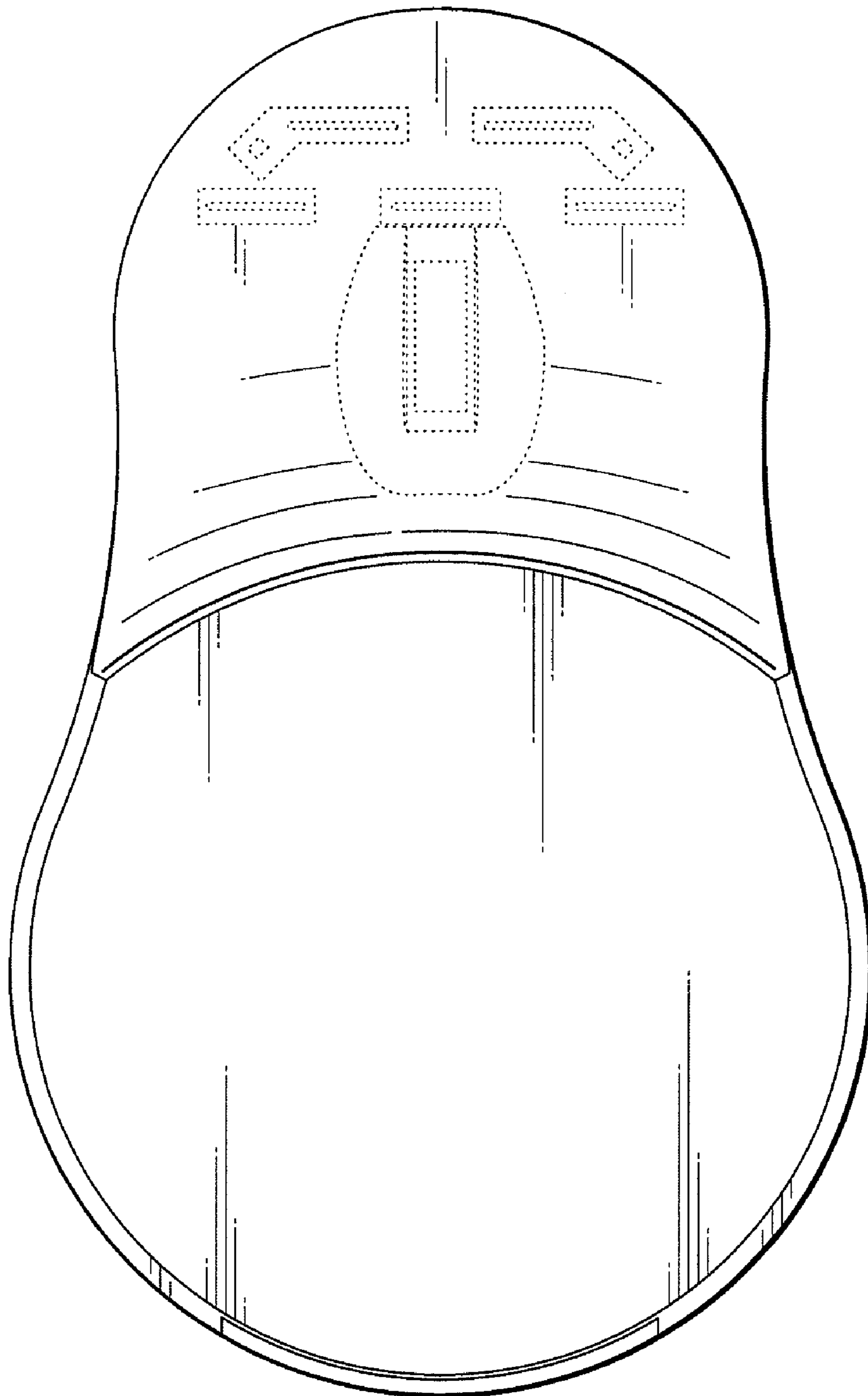


FIG.6

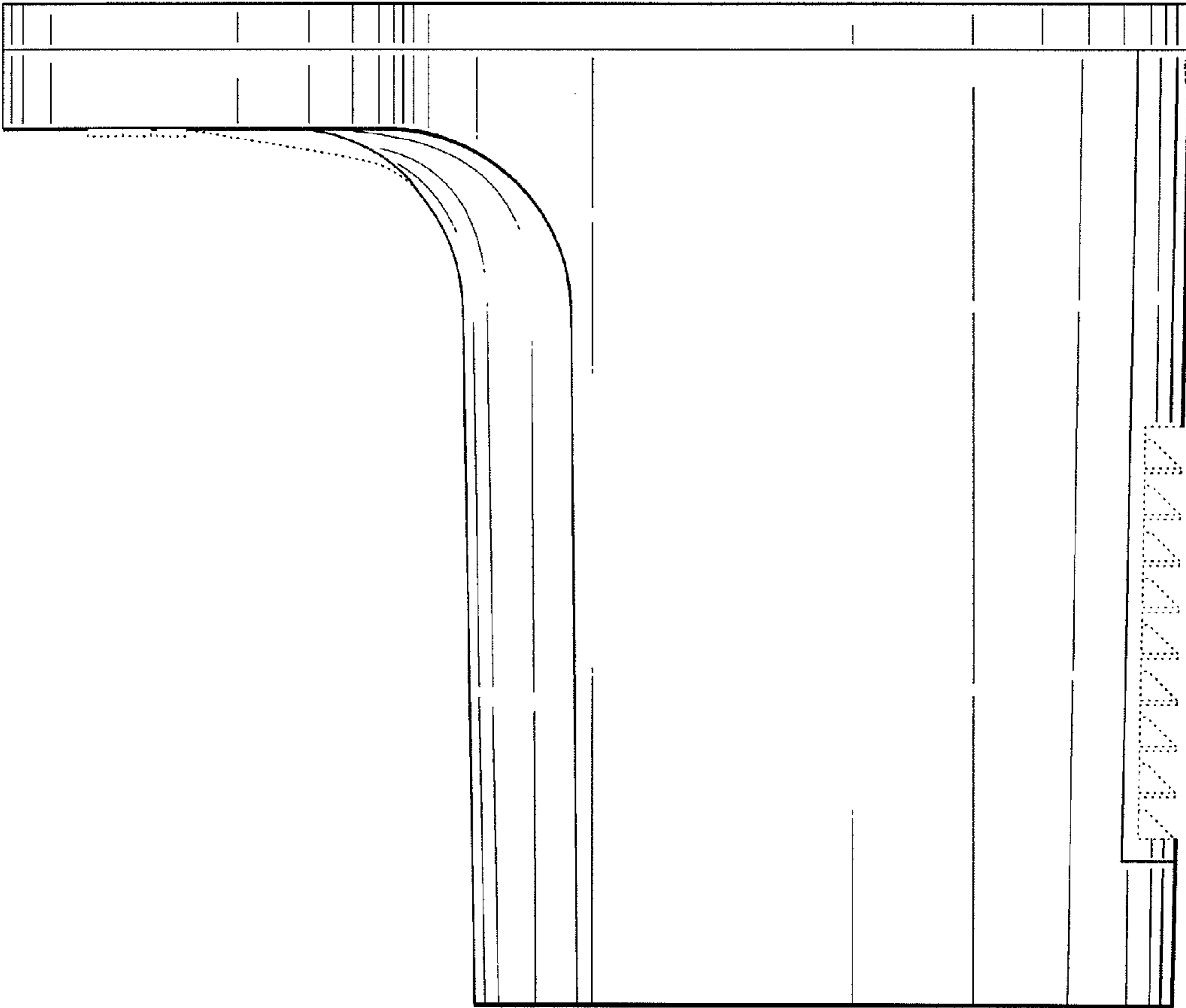


FIG. 7

