



US00D597704S

(12) **United States Design Patent**
Peng

(10) **Patent No.:** **US D597,704 S**
(45) **Date of Patent:** **** Aug. 4, 2009**

(54) **LAMP SHADE**

(75) Inventor: **Chang-Hung Peng**, Taipei Hsien (TW)

(73) Assignees: **Cooler Master Co., Ltd.**, Taipei (TW);
General Electric Company, NY (US)

(**) Term: **14 Years**

(21) Appl. No.: **29/331,027**

(22) Filed: **Jan. 16, 2009**

(51) **LOC (9) Cl.** **26-99**

(52) **U.S. Cl.** **D26/118**

(58) **Field of Classification Search** D26/135,
D26/113, 118, 128.37, 138, 63, 65, 2, 78,
D26/3, 24, 26, 49, 59, 60, 61, 64, 72, 75,
D26/79, 93, 129, 130, 132, 133; D13/136,
D13/134; 439/242, 241, 239, 236, 232; 362/233,
362/425, 371, 260, 217, 264, 321, 257, 282,
362/606, 561, 580, 125, 126, 181, 277, 285,
362/183, 649, 651, 657, 658, 659, 293, 294,
362/319, 370, 421, 427; 353/82, 31, 46,
353/49, 98, 119, 71; 206/591; D16/221,
D16/228, 230, 232, 231; 250/372

See application file for complete search history.

(56) **References Cited**

U.S. PATENT DOCUMENTS

D527,119 S * 8/2006 Maxik et al. D26/2

7,111,963 B2 * 9/2006 Zhang 362/294
D538,951 S * 3/2007 Maxik et al. D26/2
D542,425 S * 5/2007 Wang D26/2
D545,457 S * 6/2007 Chen D26/2
D566,300 S * 4/2008 Lo D26/2
D581,583 S * 11/2008 Peng D26/135
D586,498 S * 2/2009 Wu et al. D26/118
2005/0174780 A1 * 8/2005 Park 362/294
2005/0201104 A1 * 9/2005 Biber et al. 362/341
2007/0253202 A1 * 11/2007 Wu et al. 302/294

* cited by examiner

Primary Examiner—Cathron C Brooks
Assistant Examiner—Kevin K Rudzinski

(57) **CLAIM**

The ornamental design for a lamp shade, as shown and described.

DESCRIPTION

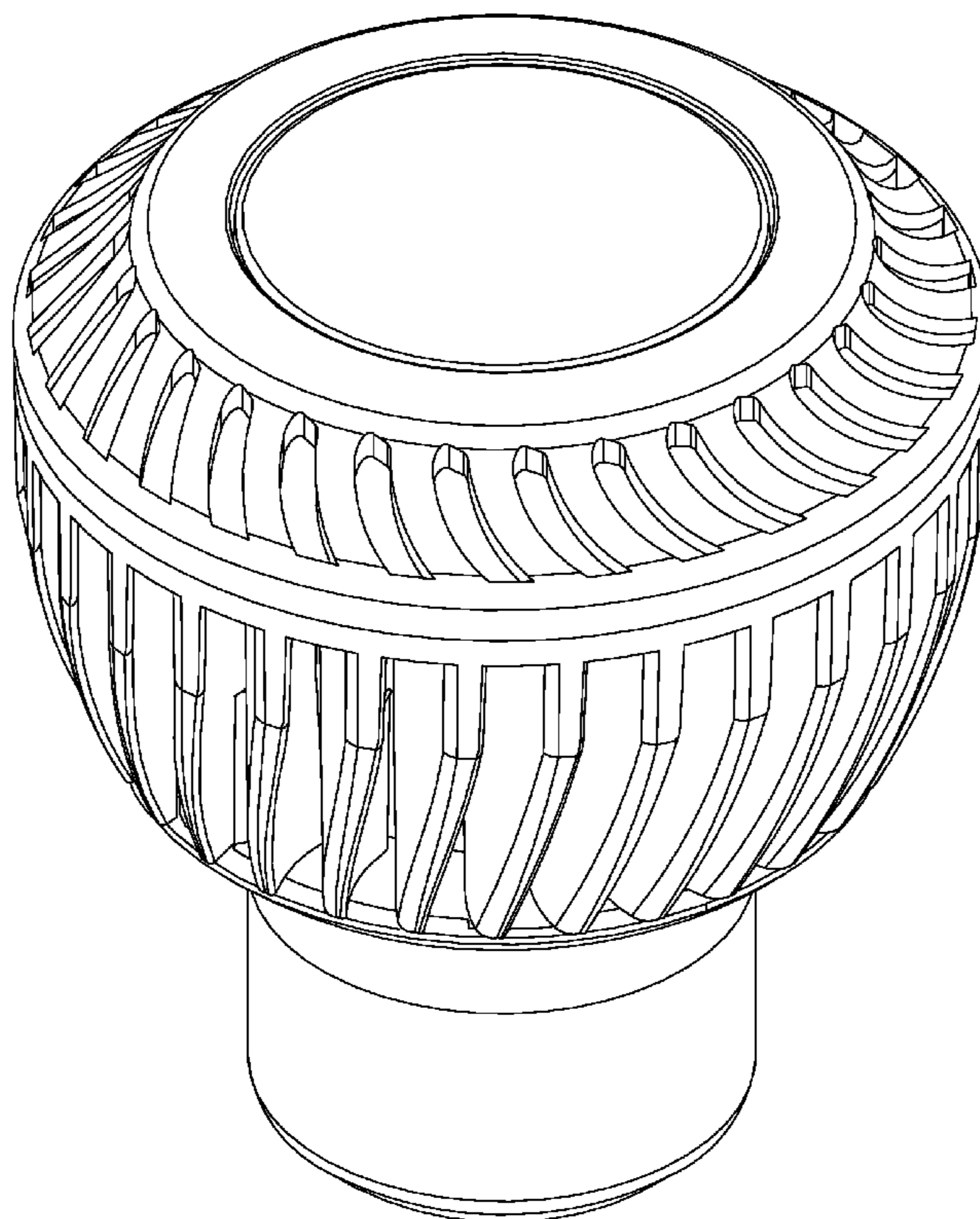
FIG. 1 is a perspective view of a lamp shade showing the new design;

FIG. 2 is a left side elevational view thereof, the right side view being identical;

FIG. 3 is a top view thereof; and,

FIG. 4 is a bottom view thereof.

1 Claim, 4 Drawing Sheets



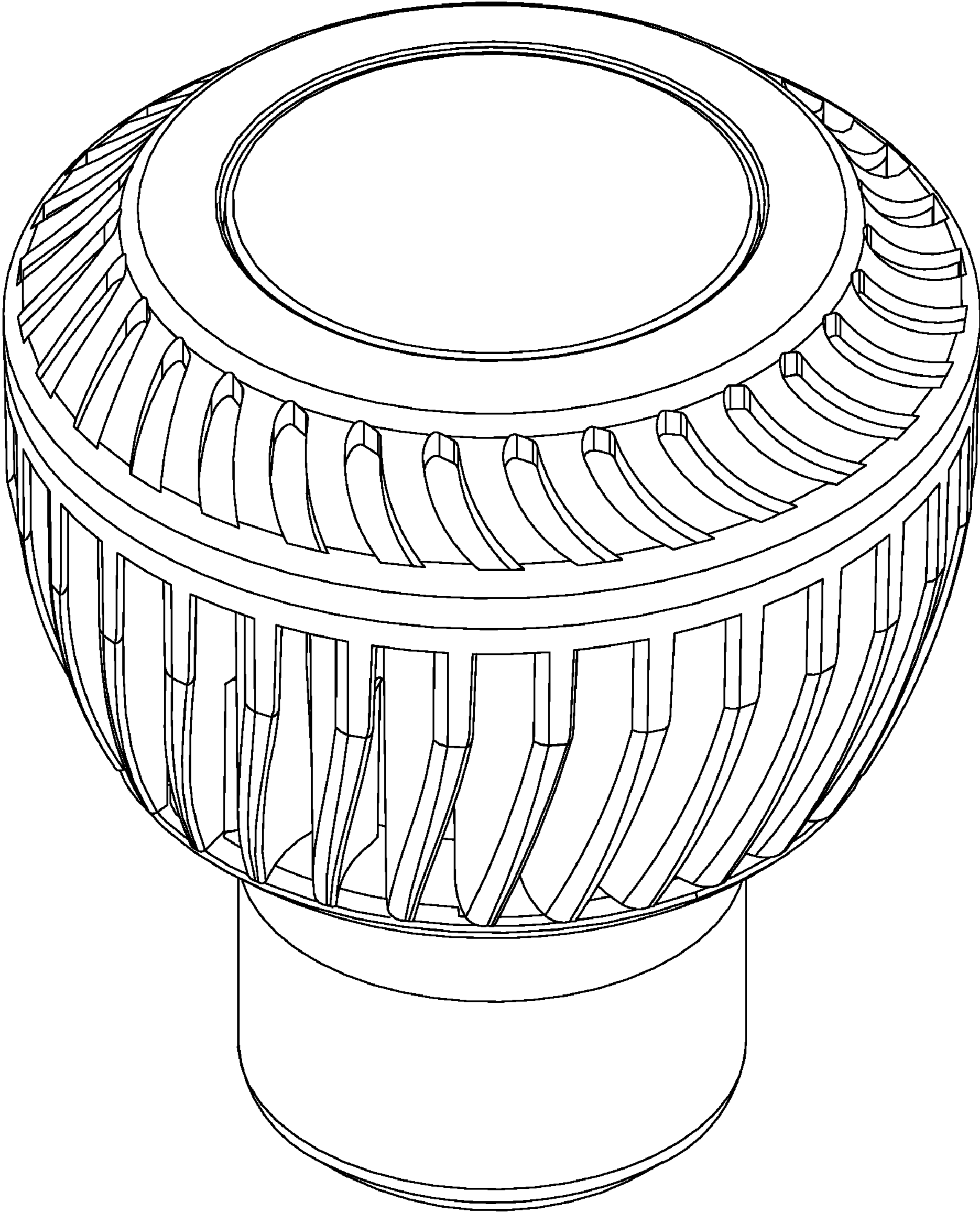


FIG. 1

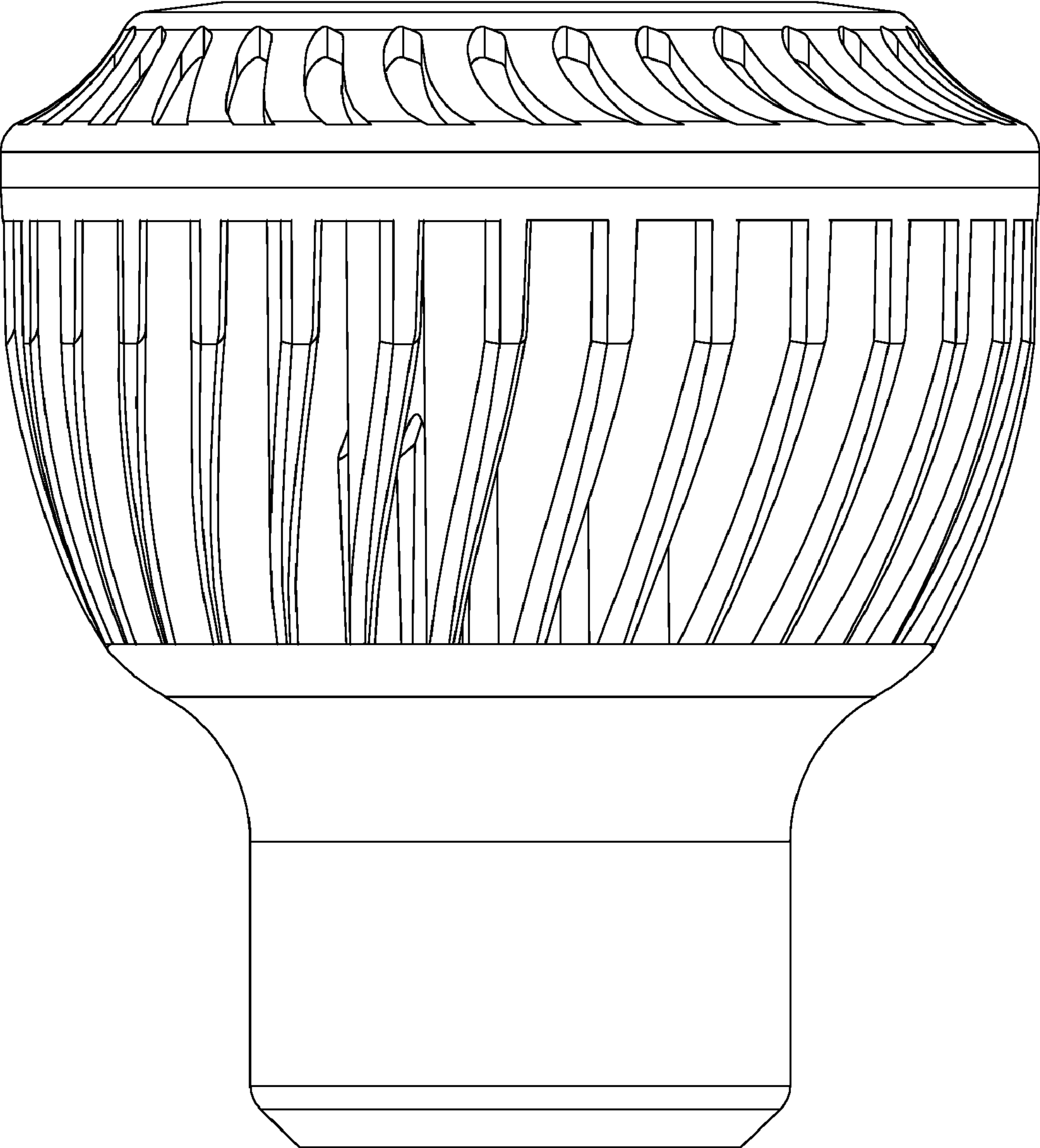


FIG. 2

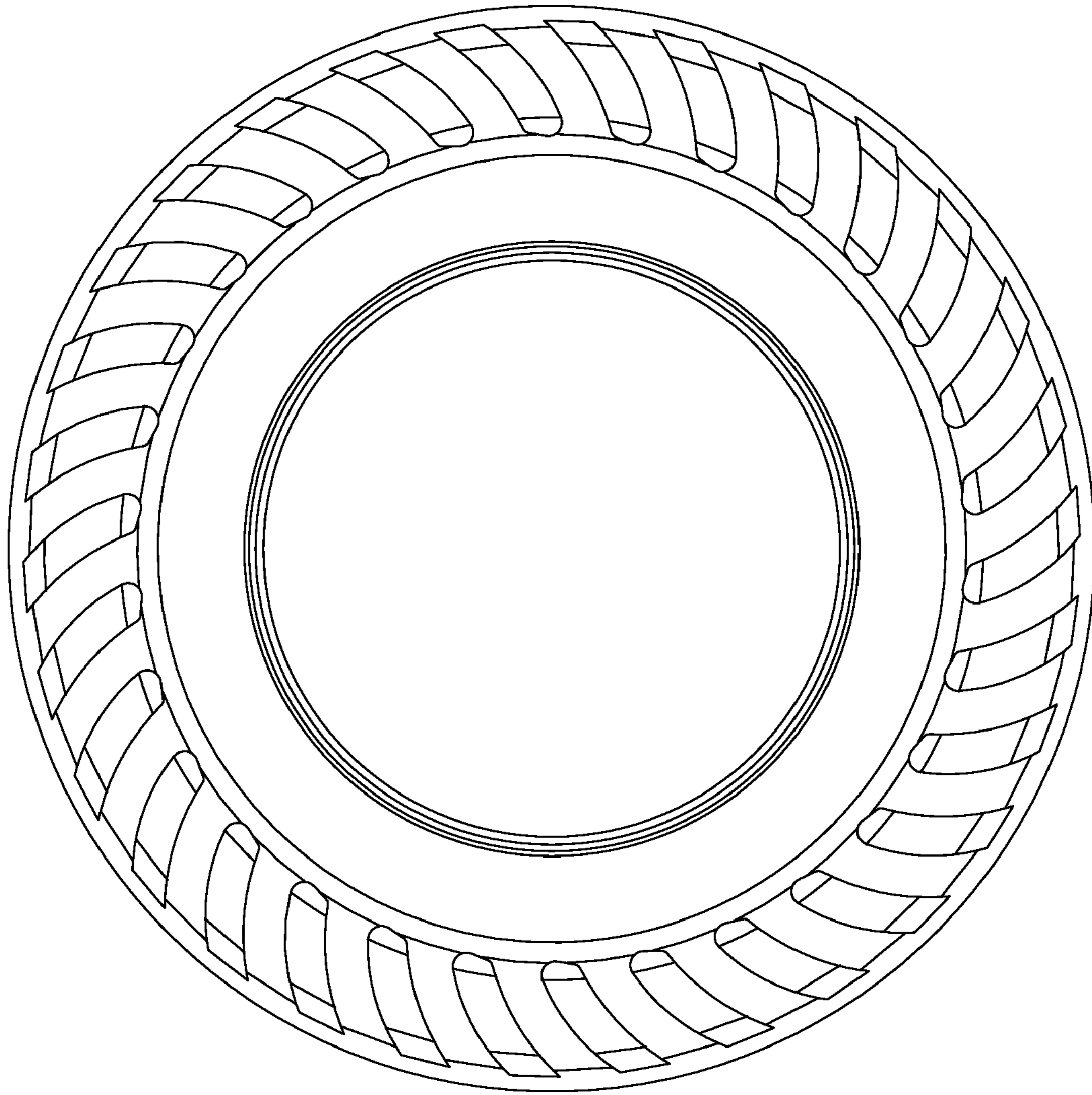


FIG. 3

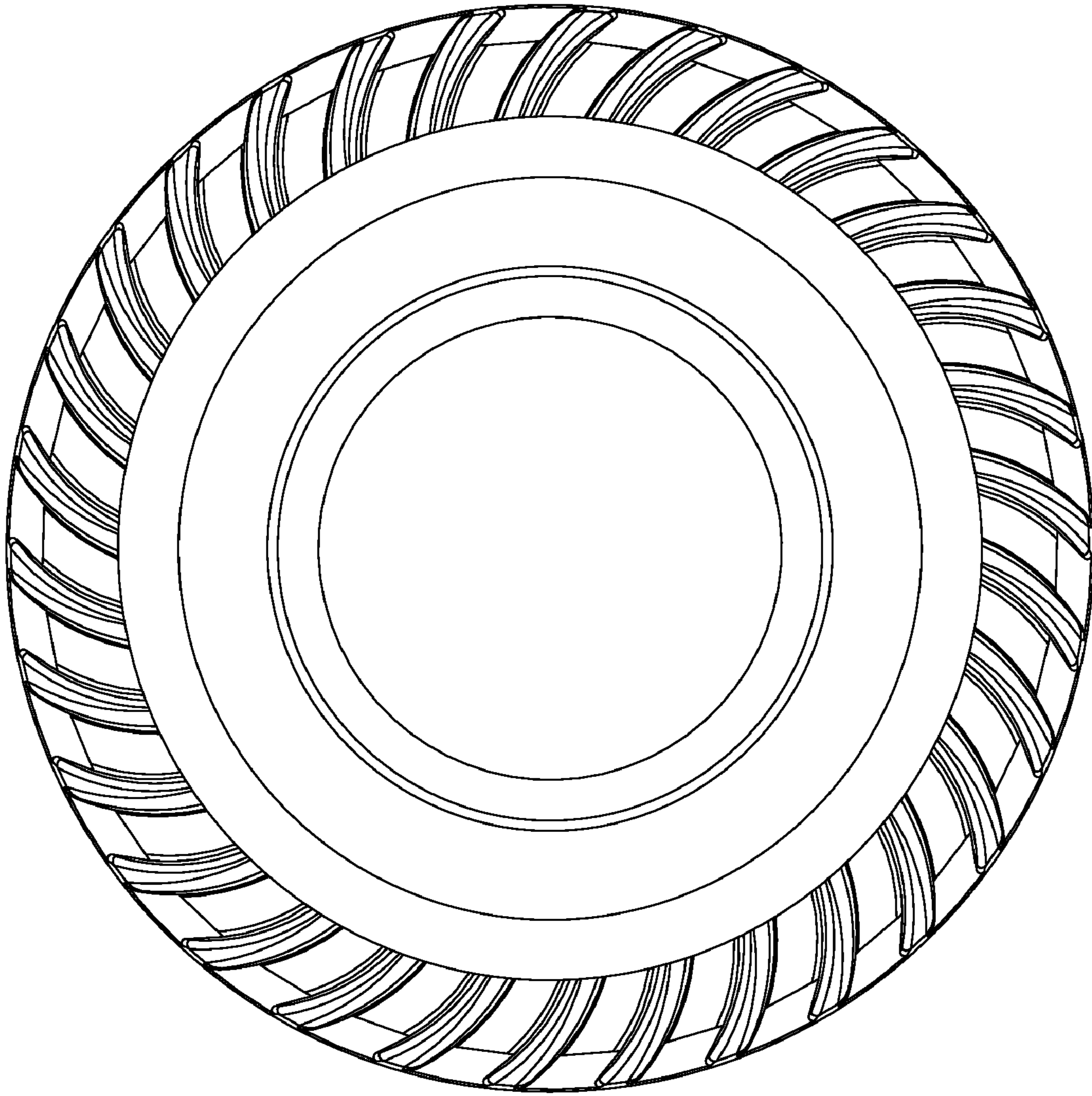


FIG. 4