



US00D597701S

(12) **United States Design Patent**
Tran et al.

(10) **Patent No.:** **US D597,701 S**
(45) **Date of Patent:** **** Aug. 4, 2009**

(54) **LIGHTING FIXTURE**

(76) Inventors: **Michael Trung Tran**, 1543 International Blvd., Oakland, CA (US) 94606; **Matthew James Hartley**, 6400 Christie Ave., Apt. 2314, Emeryville, CA (US) 94608; **Jonathan Becker Schmidt**, 1824 Paradise Ridge Dr., Round Rock, TX (US) 78665; **Peter Y. Y. Ngai**, 84 St. Andrews La., Alamo, CA (US) 94507

(**) Term: **14 Years**

(21) Appl. No.: **29/327,280**

(22) Filed: **Nov. 3, 2008**

(51) **LOC (9) Cl.** **26-03**
(52) **U.S. Cl.** **D26/76**
(58) **Field of Classification Search** D26/24-28, D26/37, 67-68, 72, 74-78, 80, 85, 88, 89, D26/104, 108, 118, 120-122; 362/132, 145, 362/147-150, 157, 217-225, 228, 260, 262-264, 362/267, 310, 345, 364, 365, 368, 432, 440
See application file for complete search history.

(56) **References Cited**

U.S. PATENT DOCUMENTS

D127,374 S *	5/1941	Jordan	D26/76
D148,191 S *	12/1947	Shuler	D26/76
2,433,819 A *	12/1947	Scribner	248/343
2,980,792 A *	4/1961	Johnston	362/217
D300,951 S *	5/1989	Hughes et al.	D26/78
D300,953 S *	5/1989	Hughes et al.	D26/78
D363,805 S *	10/1995	Cole, Jr.	D26/76
D397,480 S *	8/1998	Herst et al.	D26/77
D421,815 S	3/2000	Herst et al.		
D434,519 S	11/2000	Herst et al.		
D459,012 S *	6/2002	Shemitz et al.	D26/76
D461,924 S *	8/2002	Chelf	D26/76
D463,879 S *	10/2002	Mier-Langner et al.	D26/77
6,530,674 B2 *	3/2003	Grierson et al.	362/219

D487,527 S *	3/2004	Sieczkowski	D26/76
D496,746 S	9/2004	Herst et al.		
D497,024 S	10/2004	Herst et al.		
D537,186 S *	2/2007	Weddell	D26/80
D562,487 S *	2/2008	Romo	D26/67

* cited by examiner

Primary Examiner—T. Chase Nelson
Assistant Examiner—Susan E Krakower
(74) *Attorney, Agent, or Firm*—Donald L. Beeson; Beeson Skinner Beverly, LLP

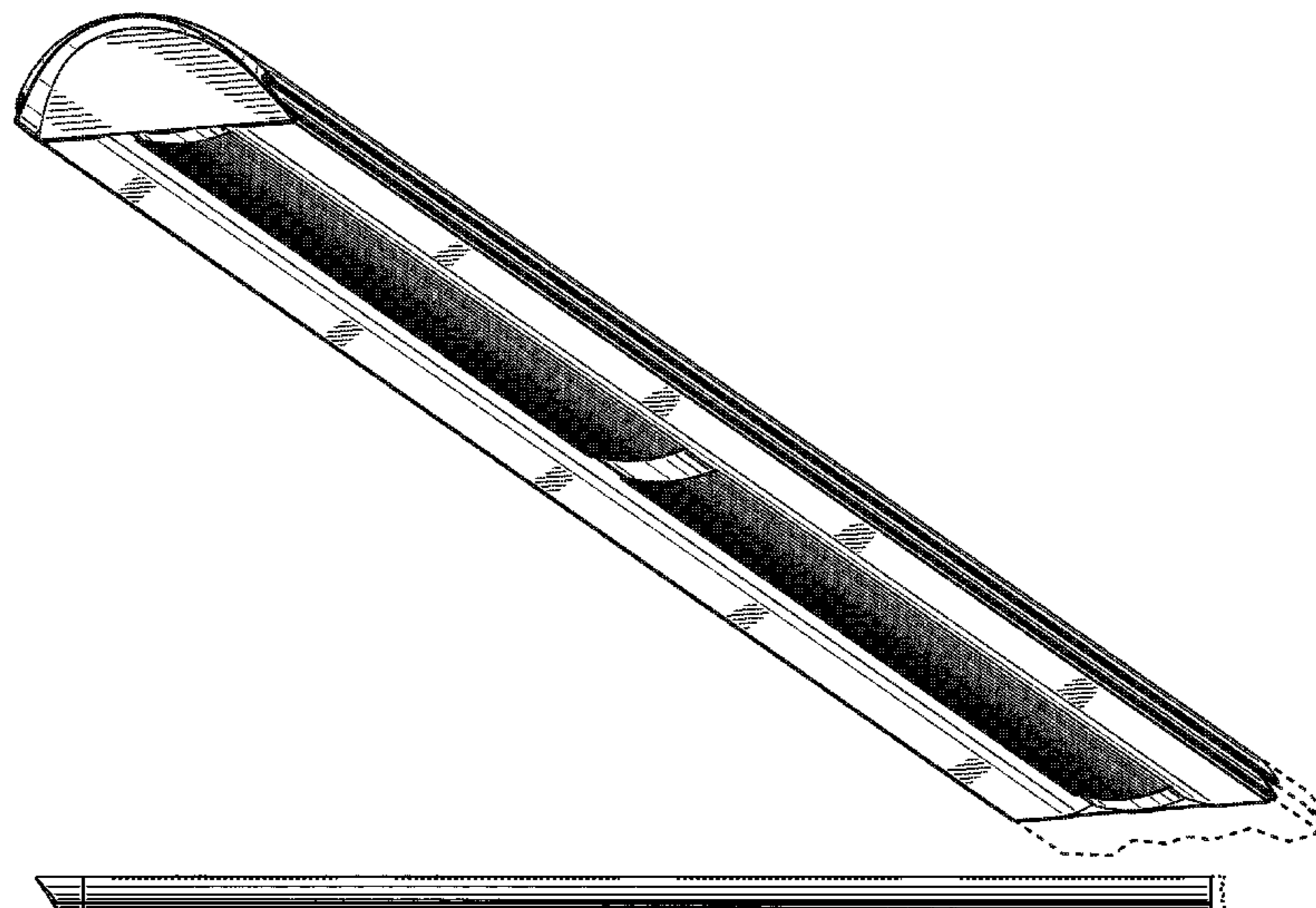
(57) **CLAIM**

The ornamental design for a lighting fixture, as shown and described.

DESCRIPTION

FIG. 1 is a bottom perspective view of a lighting fixture showing our new design;
FIG. 2 is an enlarged bottom perspective view thereof;
FIG. 3 is a top perspective view thereof in a reduced scale;
FIG. 4 is a top perspective view thereof;
FIG. 5 is an enlarged end elevational view thereof;
FIG. 6 is a left side elevational view thereof;
FIG. 7 is a right side elevational view thereof;
FIG. 8 is a top plan view thereof;
FIG. 9 is a bottom plan view thereof;
FIG. 10 is an enlarged fragmentary right side elevational view thereof; and,
FIG. 11 is an enlarged fragmentary bottom plan view thereof.
The broken line lines are directed to environment and are for illustrative purposes only. The broken lines form no part of the claimed design. In its environment, the claimed lighting fixture may be suspended from an overhead structure and used singularly or as multiple connected units.

1 Claim, 7 Drawing Sheets



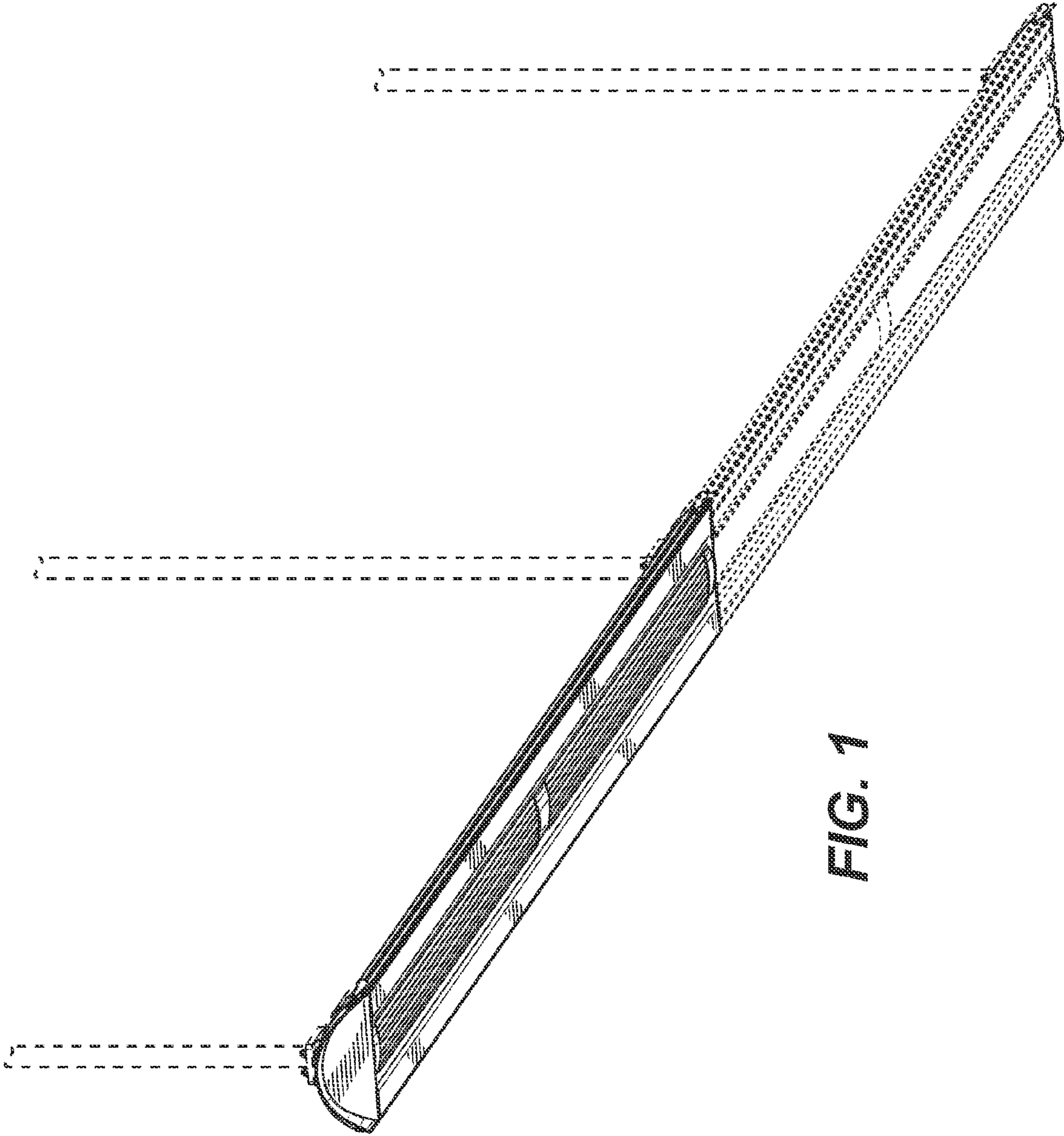


FIG. 1

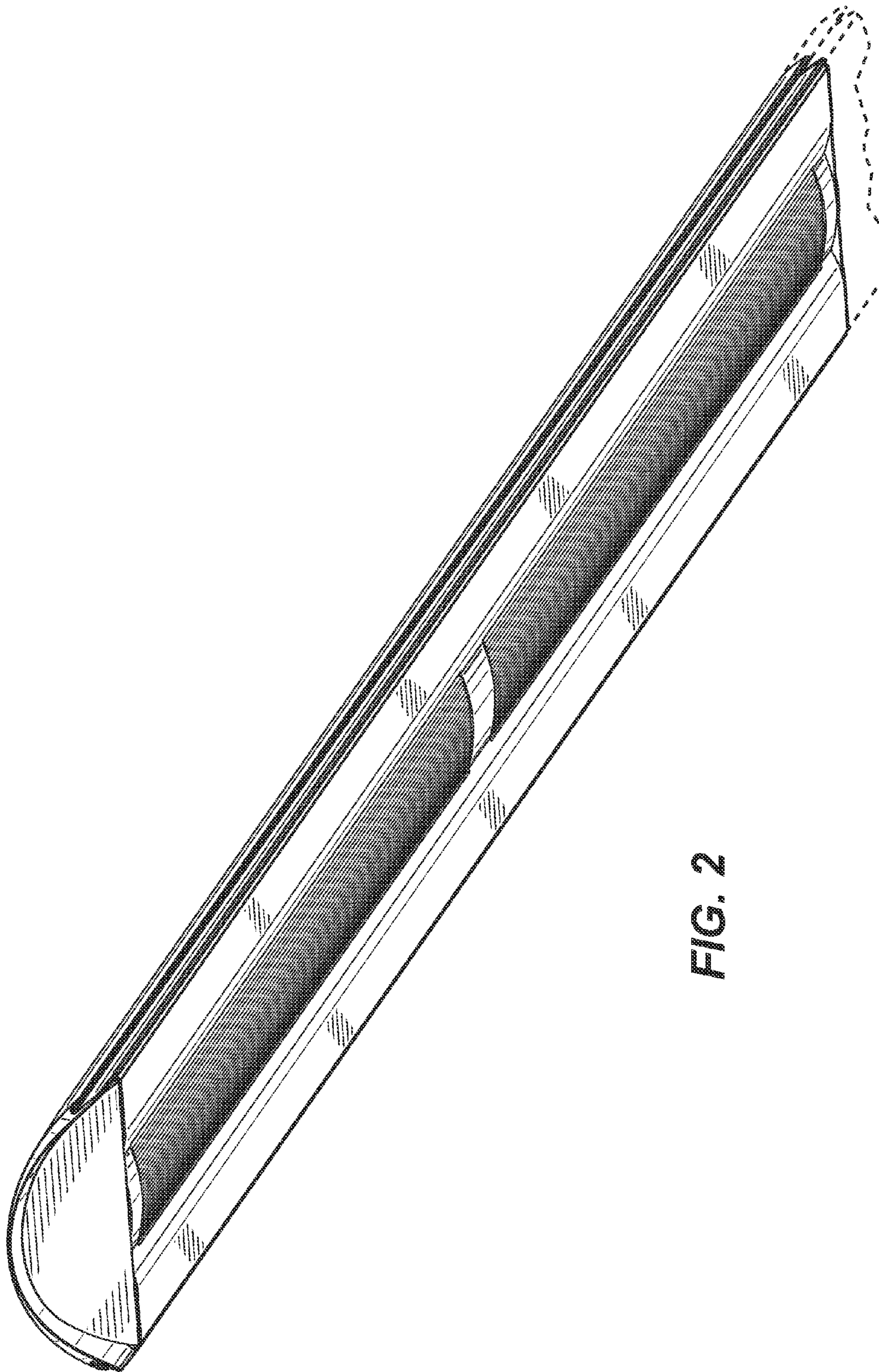


FIG. 2

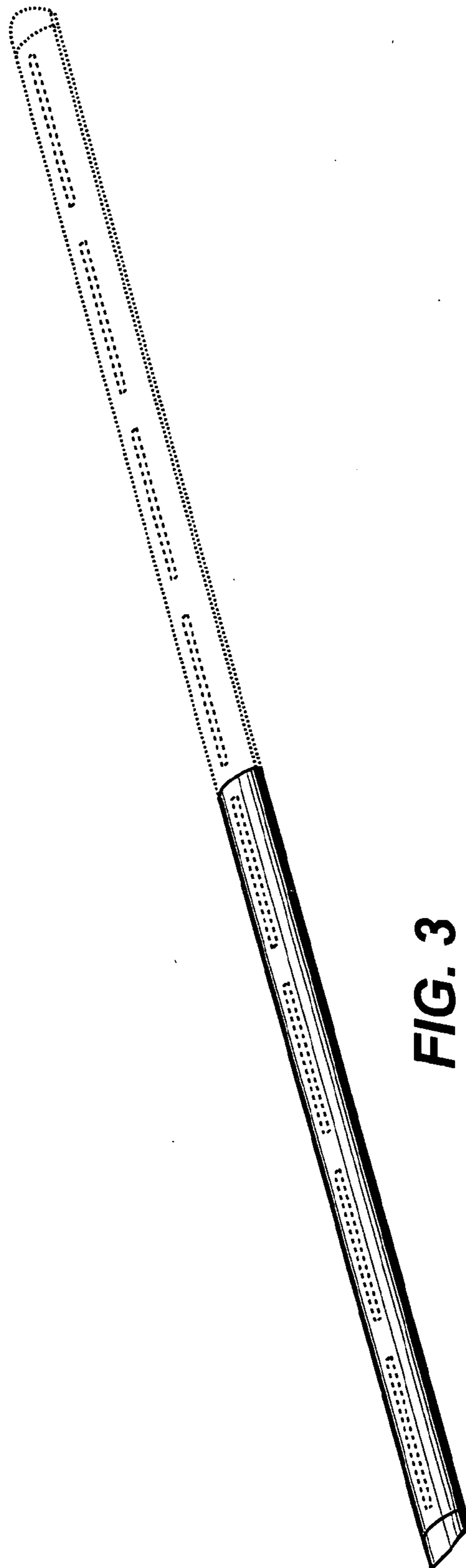


FIG. 3

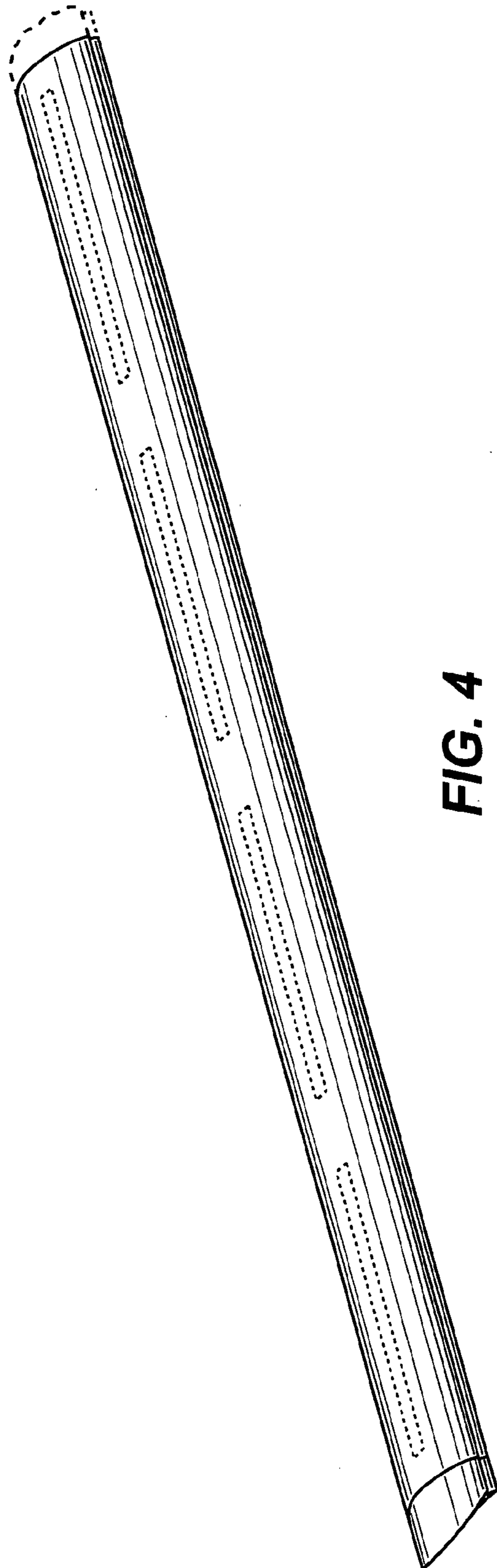


FIG. 4

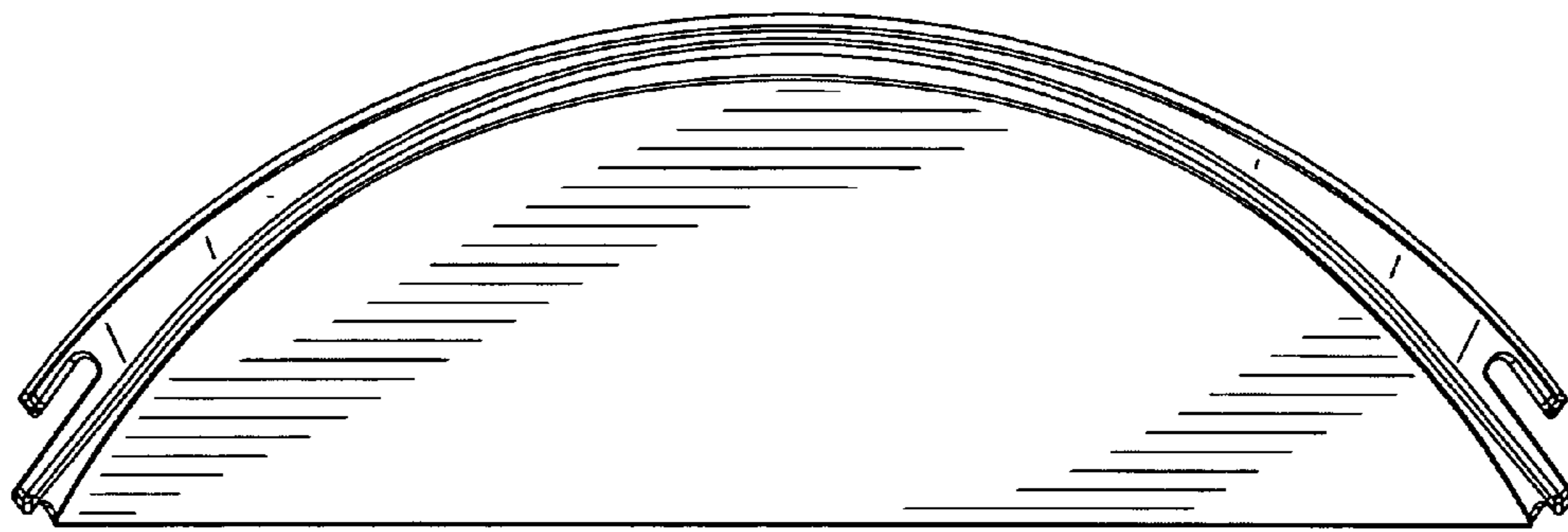


FIG. 5



FIG. 6



FIG. 7

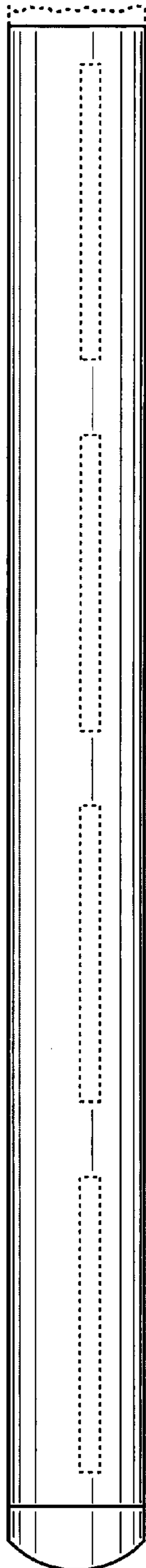


FIG. 8

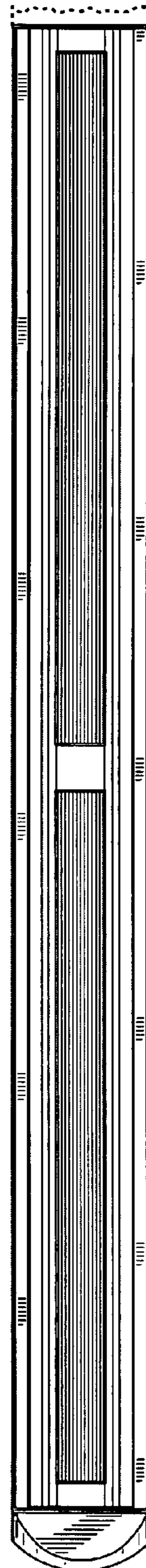


FIG. 9

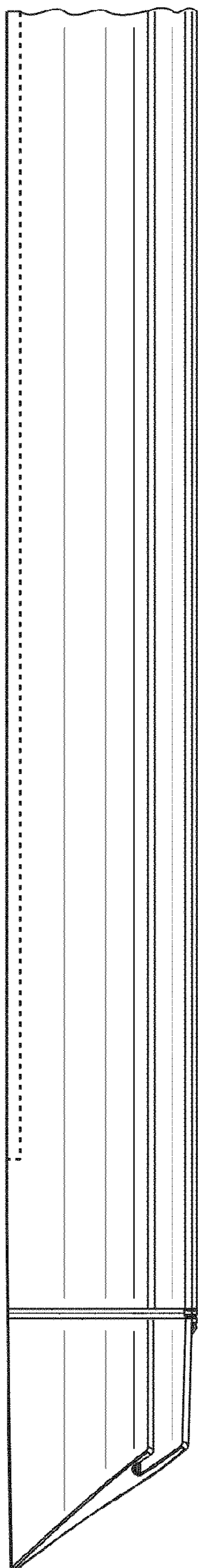


FIG. 10

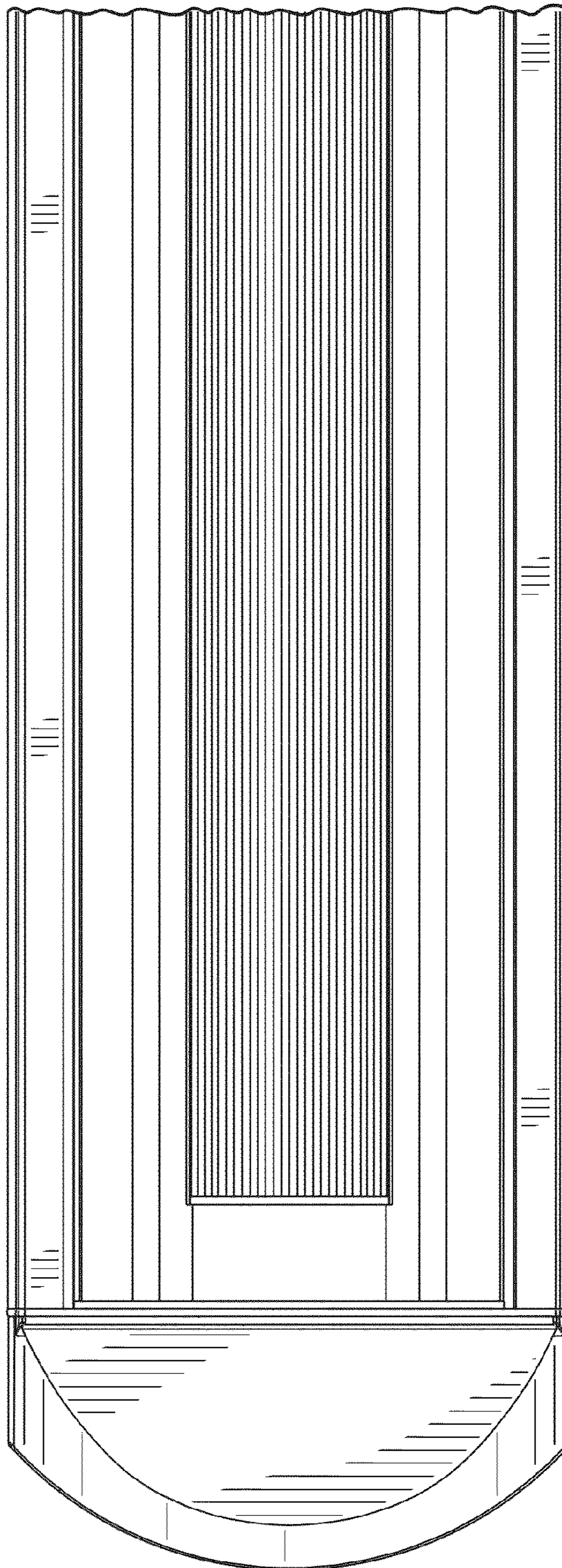


FIG. 11