



US00D597700S

(12) **United States Design Patent**  
**Sabernig**

(10) **Patent No.:** **US D597,700 S**

(45) **Date of Patent:** **\*\* Aug. 4, 2009**

(54) **LIGHT FIXTURE**

(75) Inventor: **Robert Sabernig**, Munster (AT)

(73) Assignee: **EGLO Leuchten GmbH**, Innsbruck (AT)

(\*\*) Term: **14 Years**

(21) Appl. No.: **29/321,585**

(22) Filed: **Jul. 18, 2008**

(51) **LOC (9) Cl.** ..... **26-05**

(52) **U.S. Cl.** ..... **D26/69**

(58) **Field of Classification Search** ..... D26/67-72,  
D26/85; 362/183, 431, 152-153.1

See application file for complete search history.

(56) **References Cited**

U.S. PATENT DOCUMENTS

D42,281 S *	3/1912	Grelle	.....	D26/69
D72,587 S *	5/1927	Barkschat	.....	D26/70
D76,442 S *	9/1928	Welsch	.....	D26/70
D87,483 S *	8/1932	Del Purgatorio	.....	D26/68
D313,667 S *	1/1991	Horne	.....	D26/69
6,802,630 B2 *	10/2004	Doppelt	.....	362/431
D579,146 S *	10/2008	Tramble et al.	.....	D26/69

\* cited by examiner

Primary Examiner—Clare E Heflin

(74) *Attorney, Agent, or Firm*—Baker & McKenzie LLP

(57) **CLAIM**

The ornamental design for a light fixture, as shown and described.

**DESCRIPTION**

FIG. 1 is a top perspective view of a light fixture in accordance with my design;

FIG. 2 is a top plan view of the light fixture in accordance with my design;

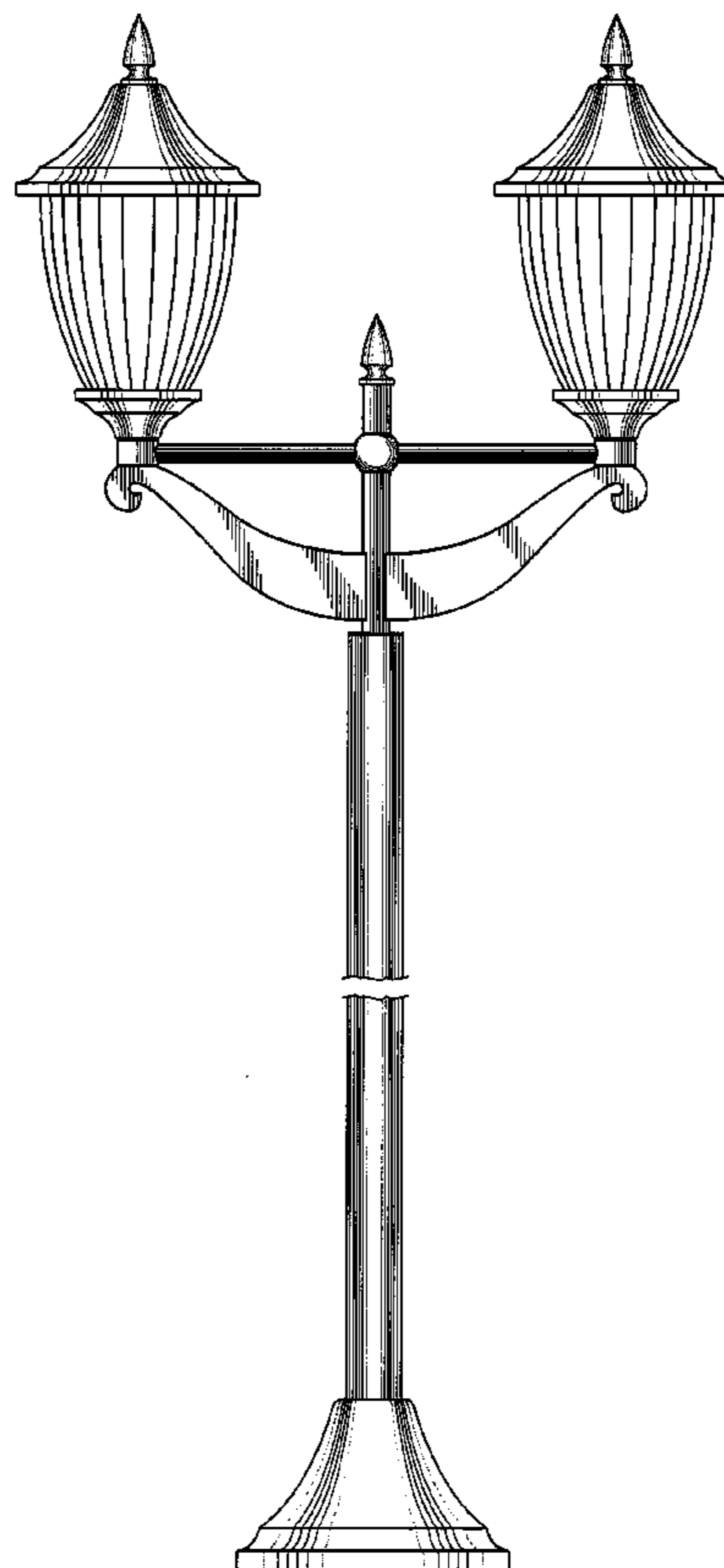
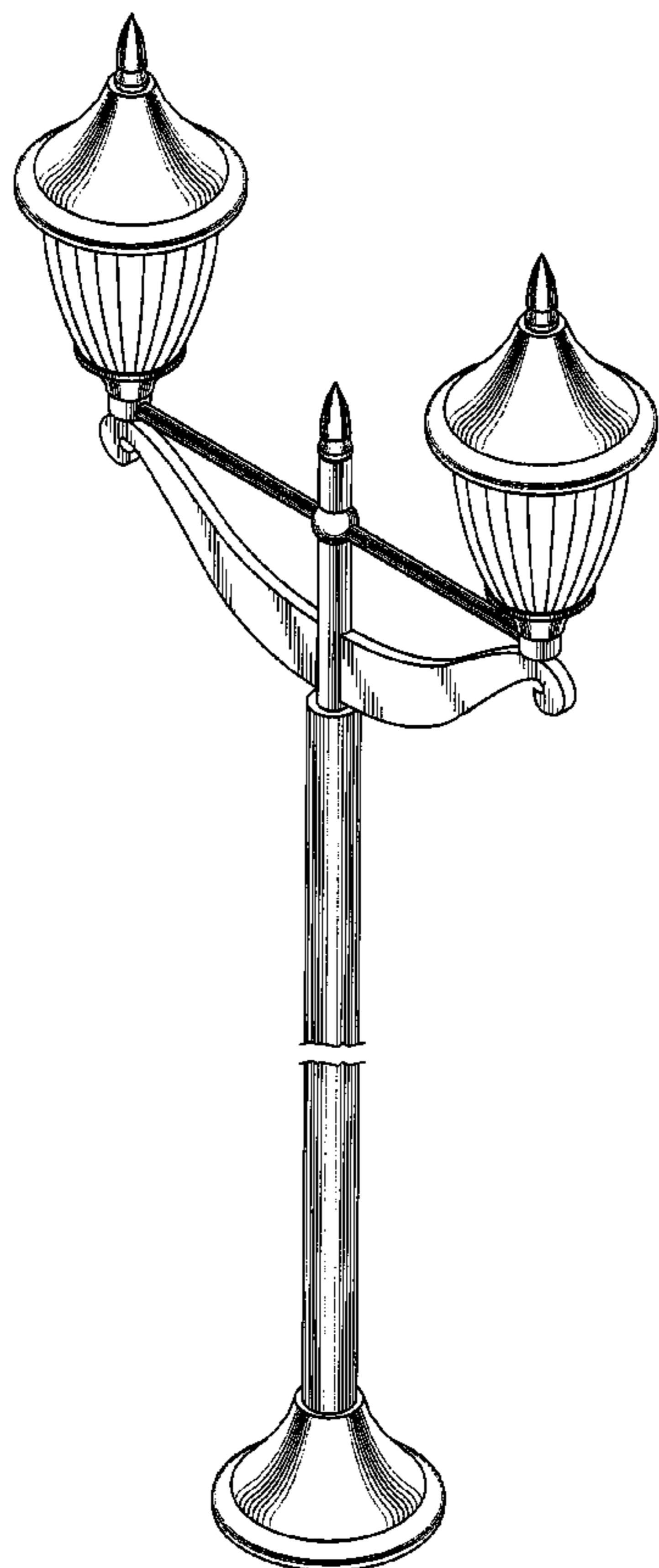
FIG. 3 is a bottom plan view of the light fixture in accordance with my design;

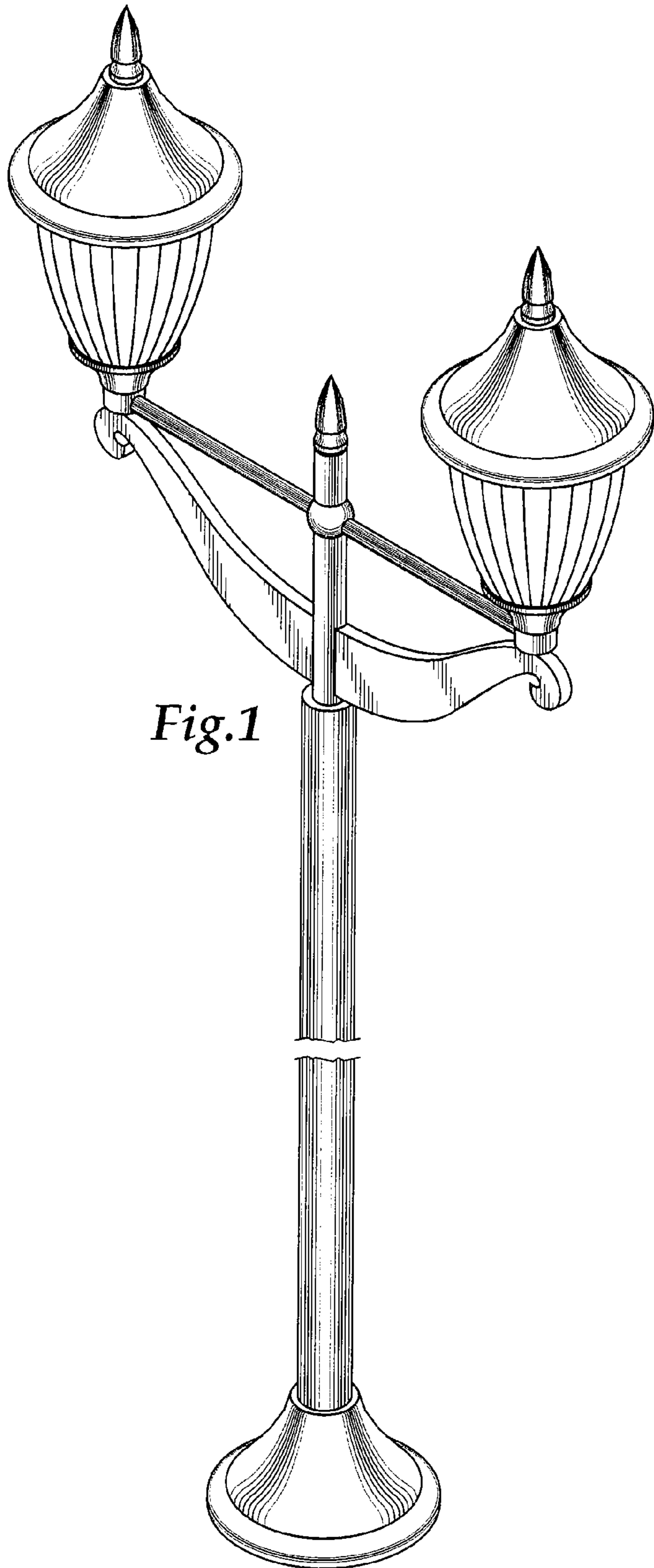
FIG. 4 is a front elevation view of the light fixture in accordance with my design, the opposite side being a mirror image of that shown; and,

FIG. 5 is a side elevation view of the light fixture in accordance with my design, the opposite side being a mirror image of that shown.

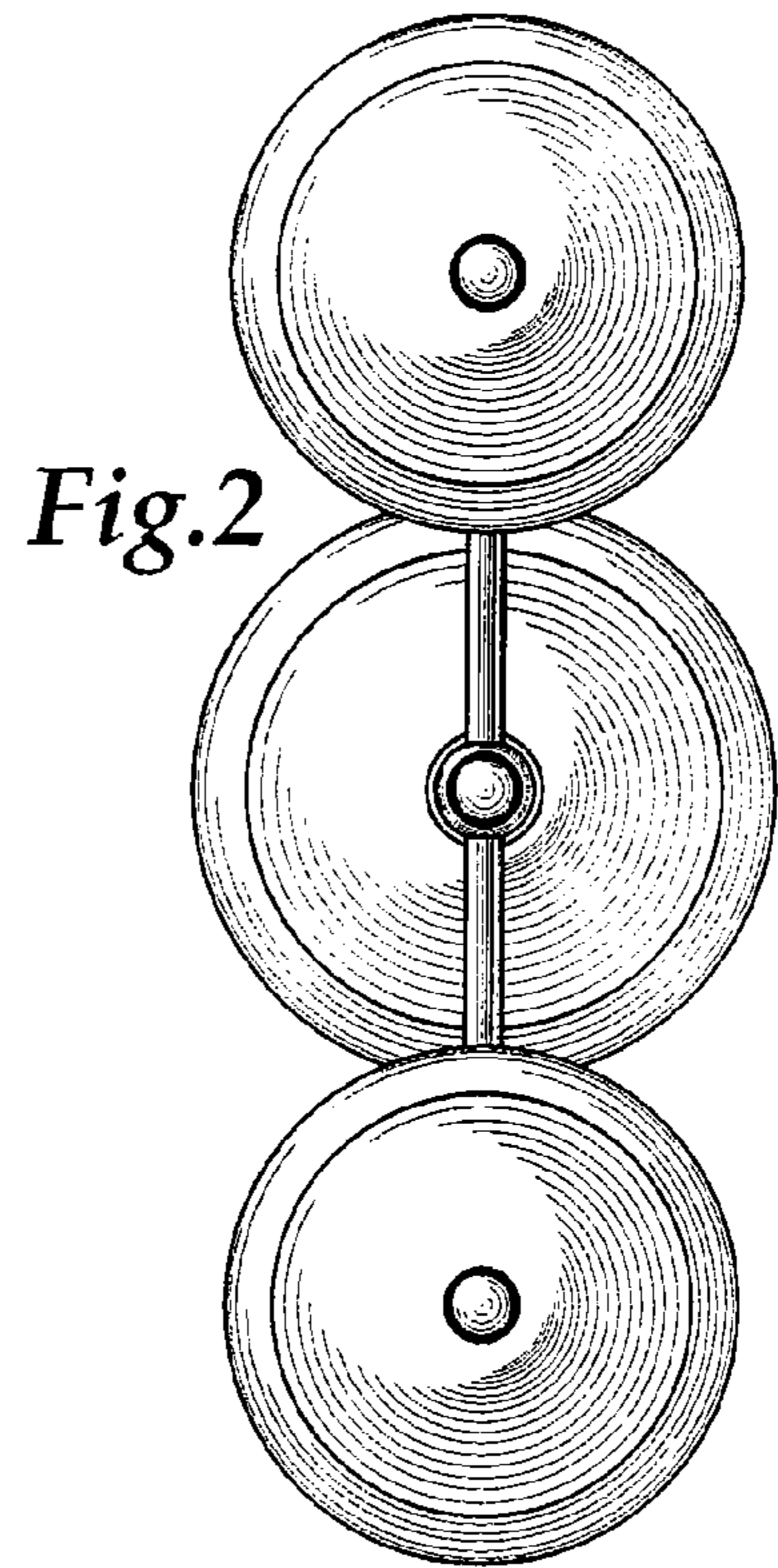
The broken lines shown on the bottom of FIG. 3 depict environment only and form no part of the claimed design. The support pole is shown broken away in FIGS. 1, 4 and 5 to depict indeterminate length.

**1 Claim, 2 Drawing Sheets**

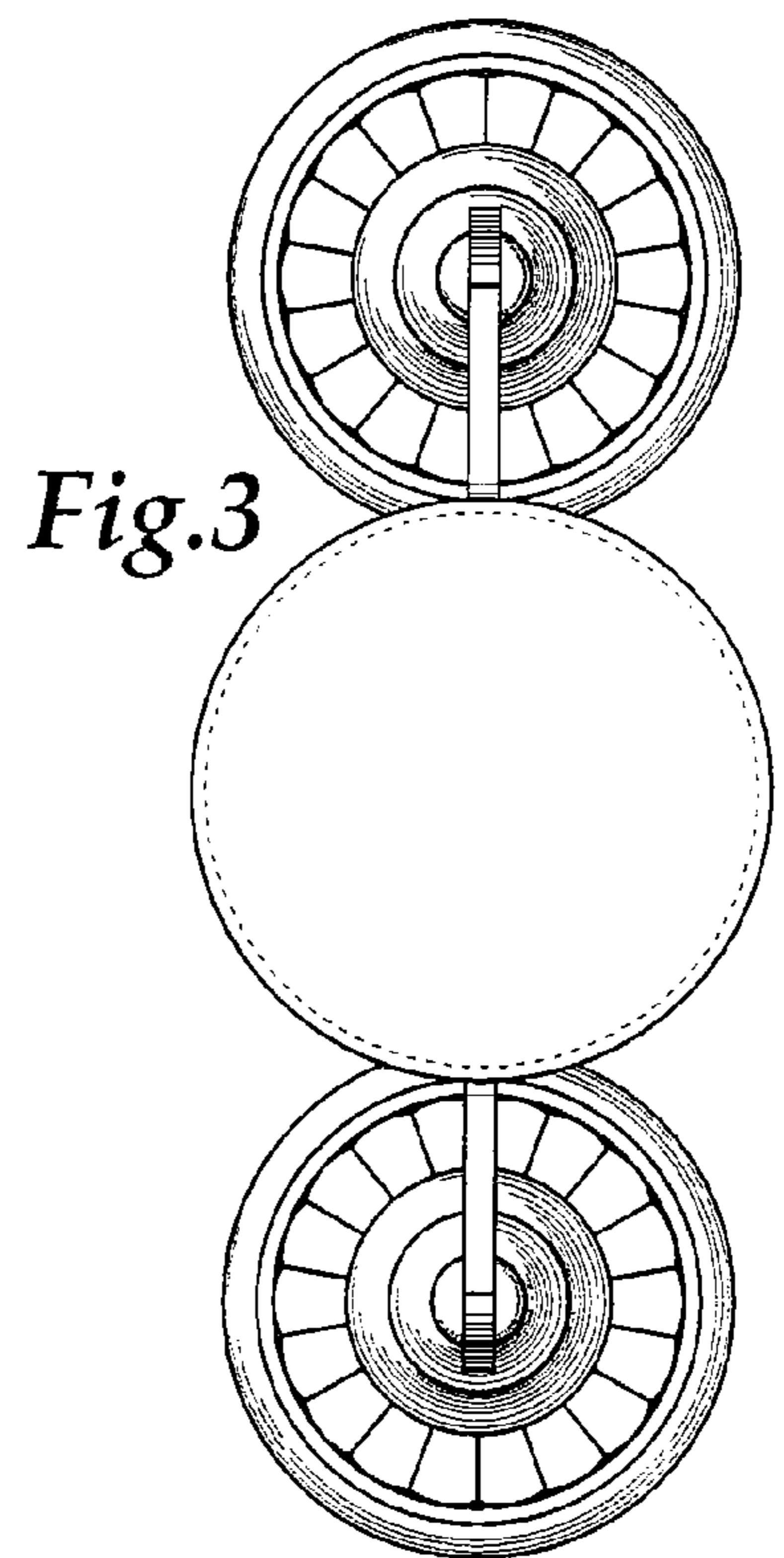




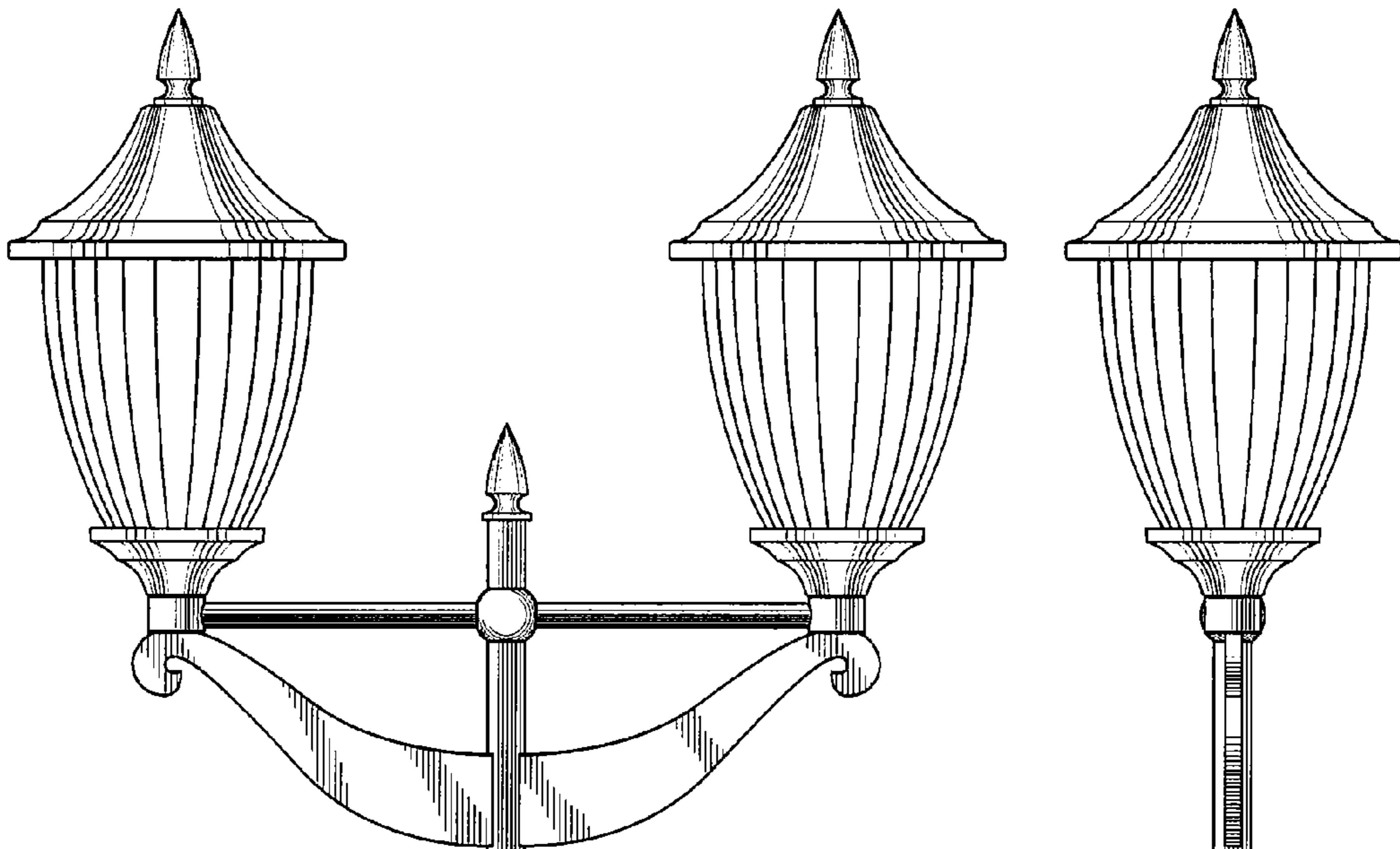
*Fig.1*



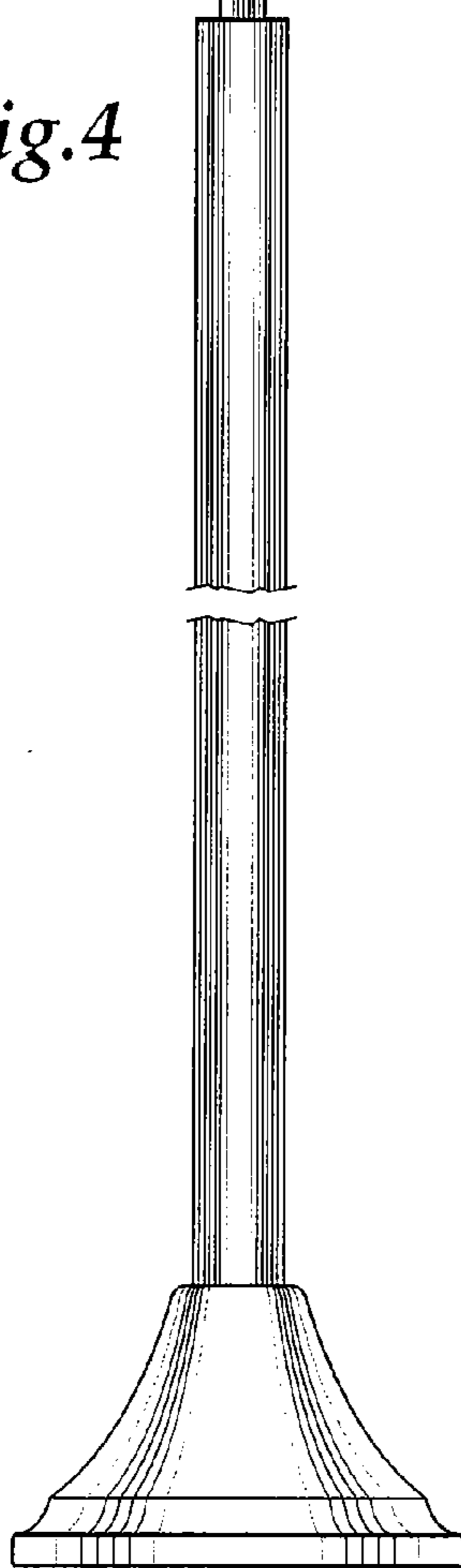
*Fig.2*



*Fig.3*



*Fig.4*



*Fig.5*

