



US00D597697S

(12) **United States Design Patent**
Sabernig

(10) **Patent No.:** **US D597,697 S**

(45) **Date of Patent:** **** Aug. 4, 2009**

(54) **LIGHT FIXTURE**

(75) Inventor: **Robert Sabernig**, Munster (AT)

(73) Assignee: **EGLO Leuchten GmbH**, Innsbruck (AT)

(**) Term: **14 Years**

(21) Appl. No.: **29/325,215**

(22) Filed: **Sep. 26, 2008**

(51) **LOC (9) Cl.** **26-05**

(52) **U.S. Cl.** **D26/68**

(58) **Field of Classification Search** D26/67-72,
D26/85; 362/183, 431, 152-153.1

See application file for complete search history.

(56) **References Cited**

U.S. PATENT DOCUMENTS

D290,410 S *	6/1987	Haggard	D26/68
D426,013 S *	5/2000	Landefeld	D26/68
D435,130 S *	12/2000	Landefeld	D26/68
D435,309 S *	12/2000	Landefeld	D26/68
D440,339 S *	4/2001	Landefeld	D26/68
D443,094 S *	5/2001	Landefeld	D26/68

OTHER PUBLICATIONS

Odyseo Model #88532 from Eglo GmbH. Found at www.eglo.com
Mar. 25, 2009.*

Lightology Internet Catalog; Exter Bollard; Product No. LUCE-FER 12; printed from Lightology Internet Catalog on Dec. 22, 2008.

Lightology Internet Catalog; Exter Bollard; Product No. RUSTY 16; printed from Lightology Internet Catalog on Dec. 22, 2008.

* cited by examiner

Primary Examiner—Clare E Heflin

(74) *Attorney, Agent, or Firm*—Baker & McKenzie LLP

(57) **CLAIM**

The ornamental design for a light fixture, as shown and described.

DESCRIPTION

FIG. 1 is a top perspective view of a light fixture in accordance with my design;

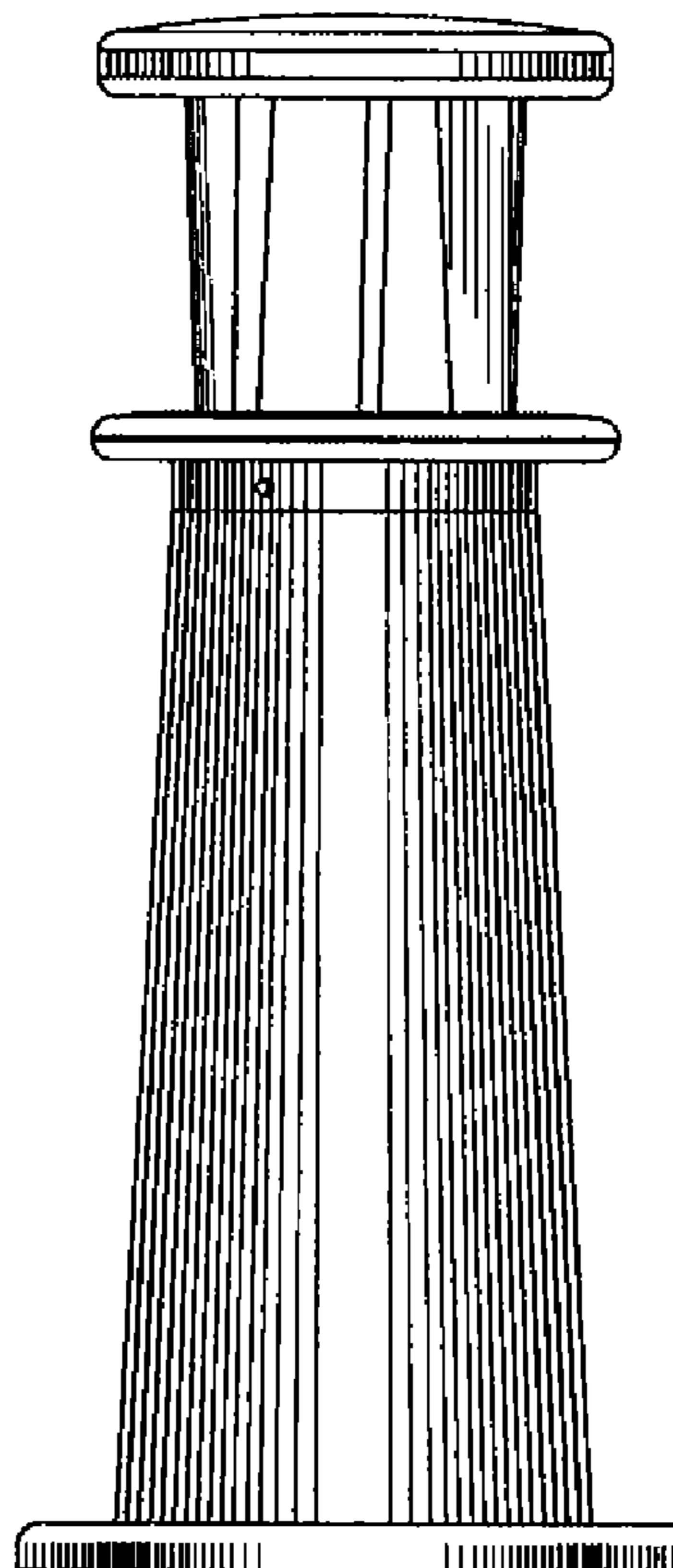
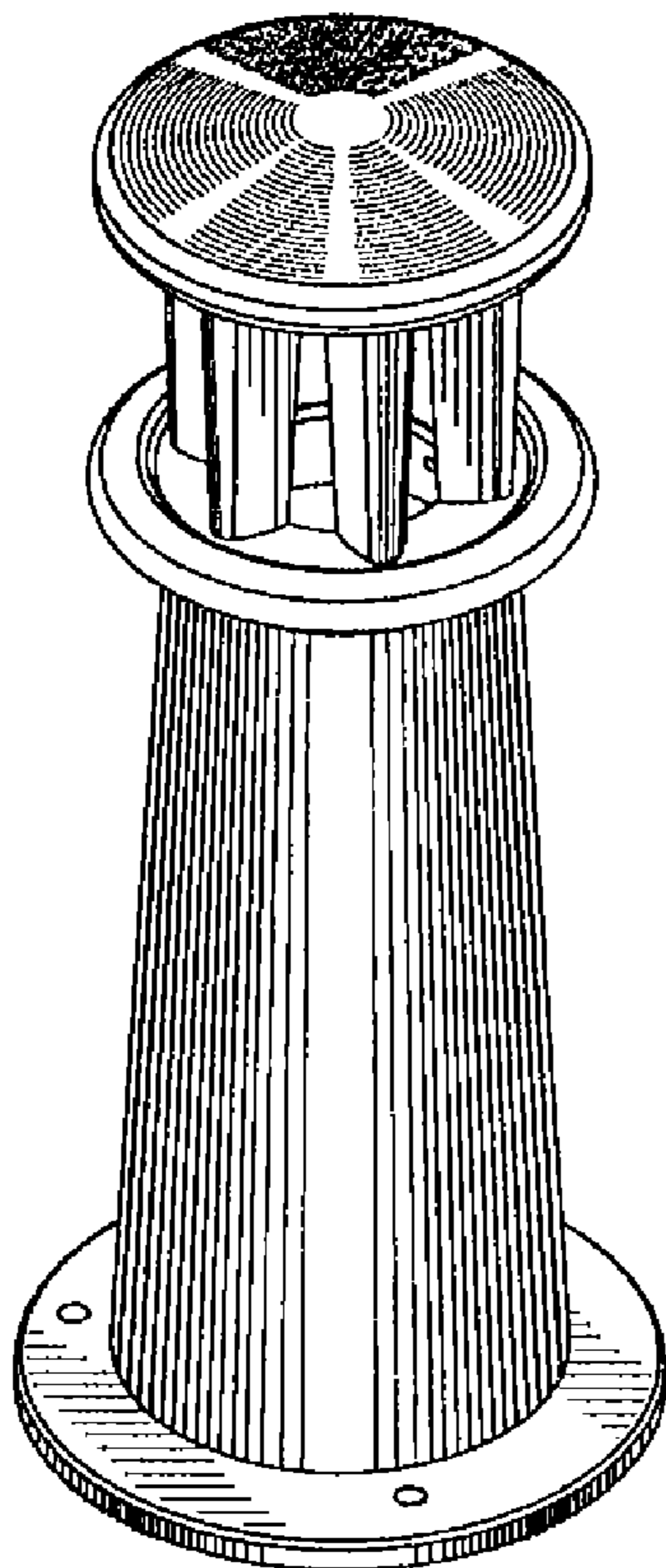
FIG. 2 is a bottom plan view of the light fixture in accordance with my design;

FIG. 3 is a front elevation view of the light fixture in accordance with my design, the opposite view being a mirror image thereof;

FIG. 4 is a side elevation view of the light fixture in accordance with my design, the opposite view being a mirror image thereof; and,

FIG. 5 is a top plan view of the light fixture in accordance with my design.

1 Claim, 1 Drawing Sheet



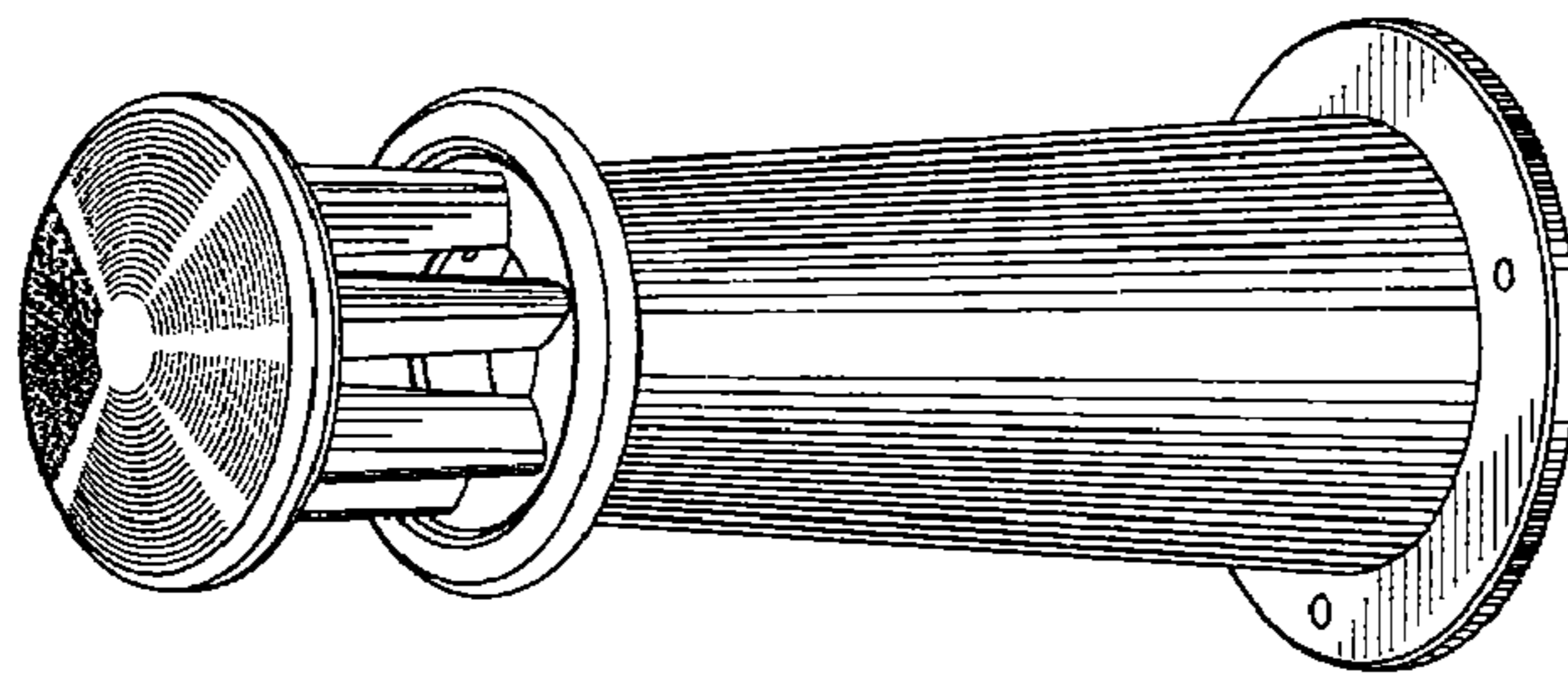


Fig. 1

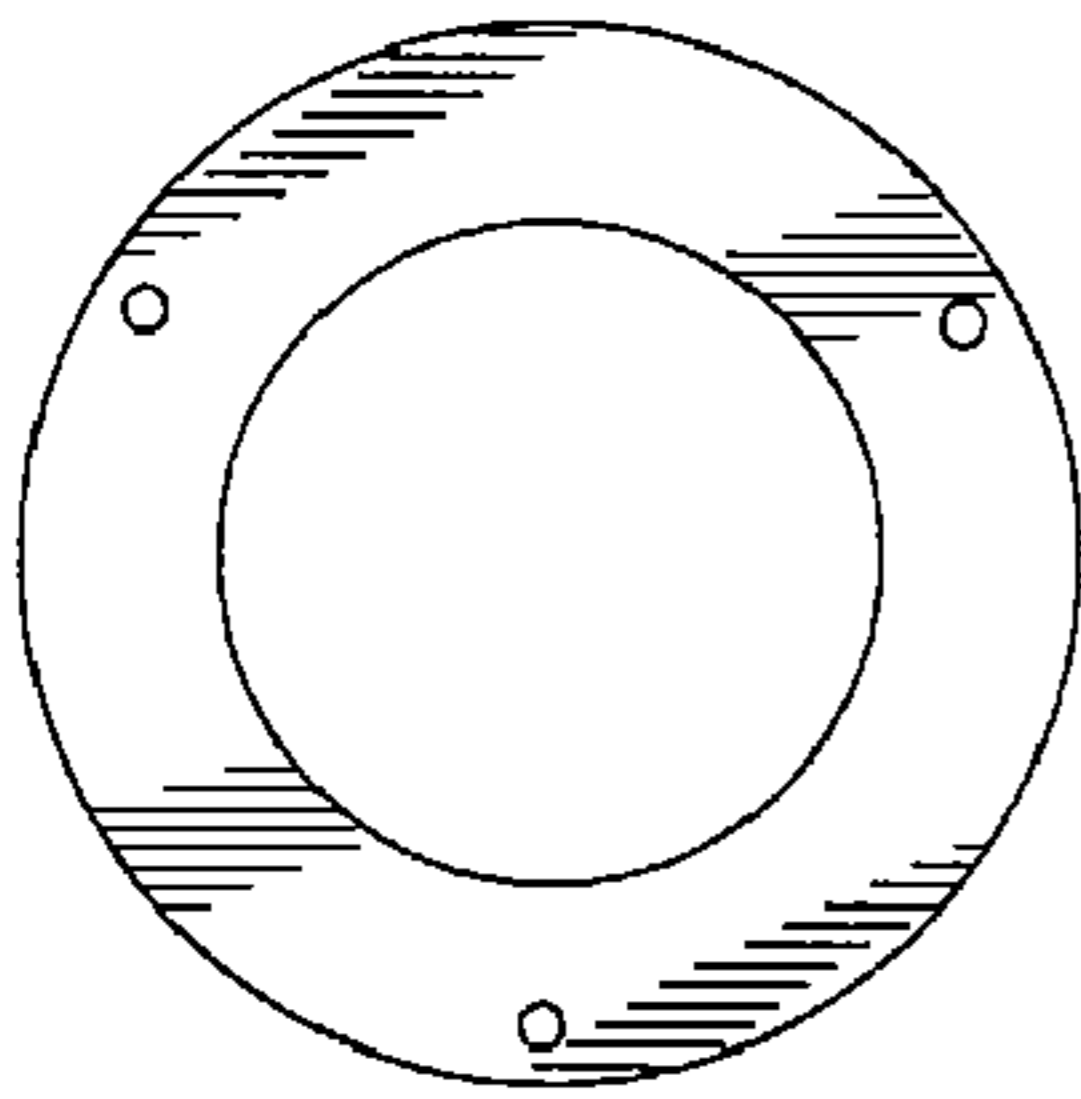


Fig. 2

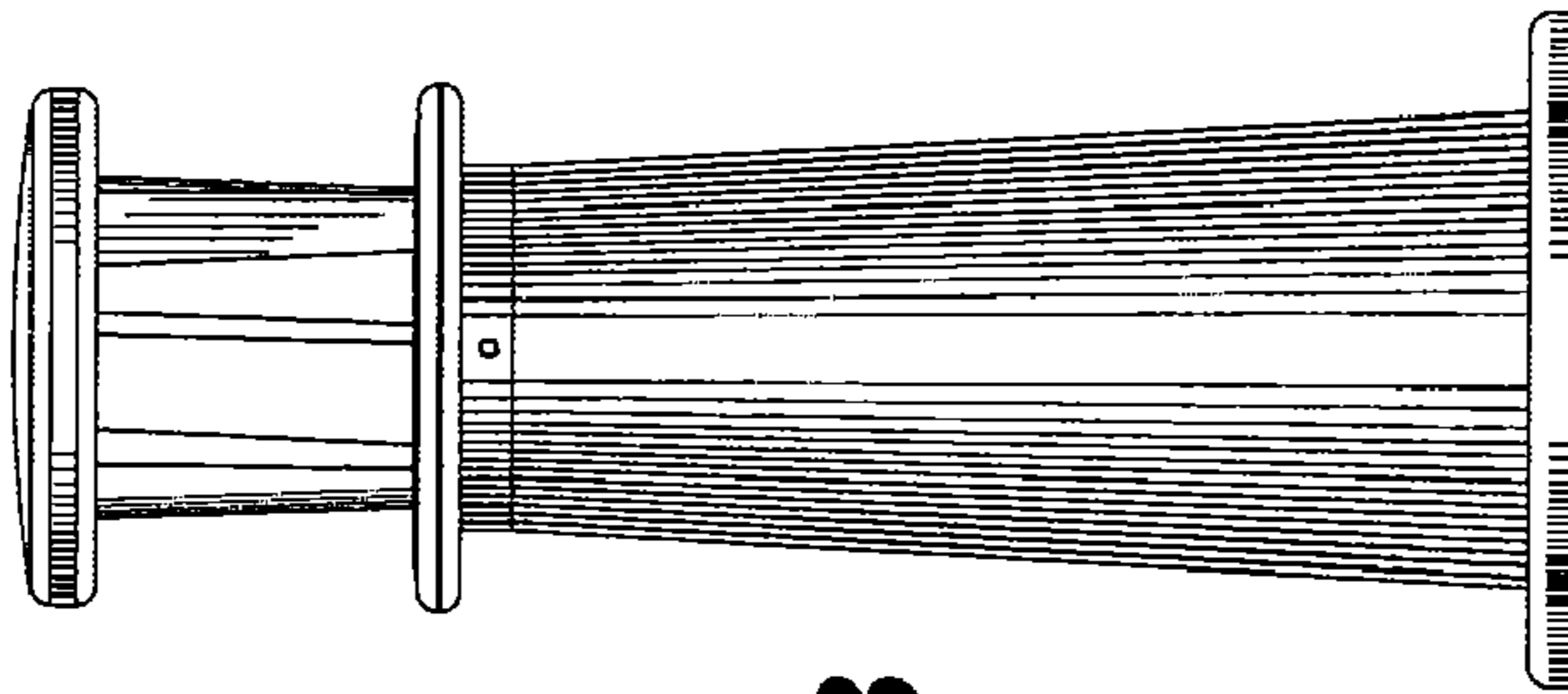


Fig. 3

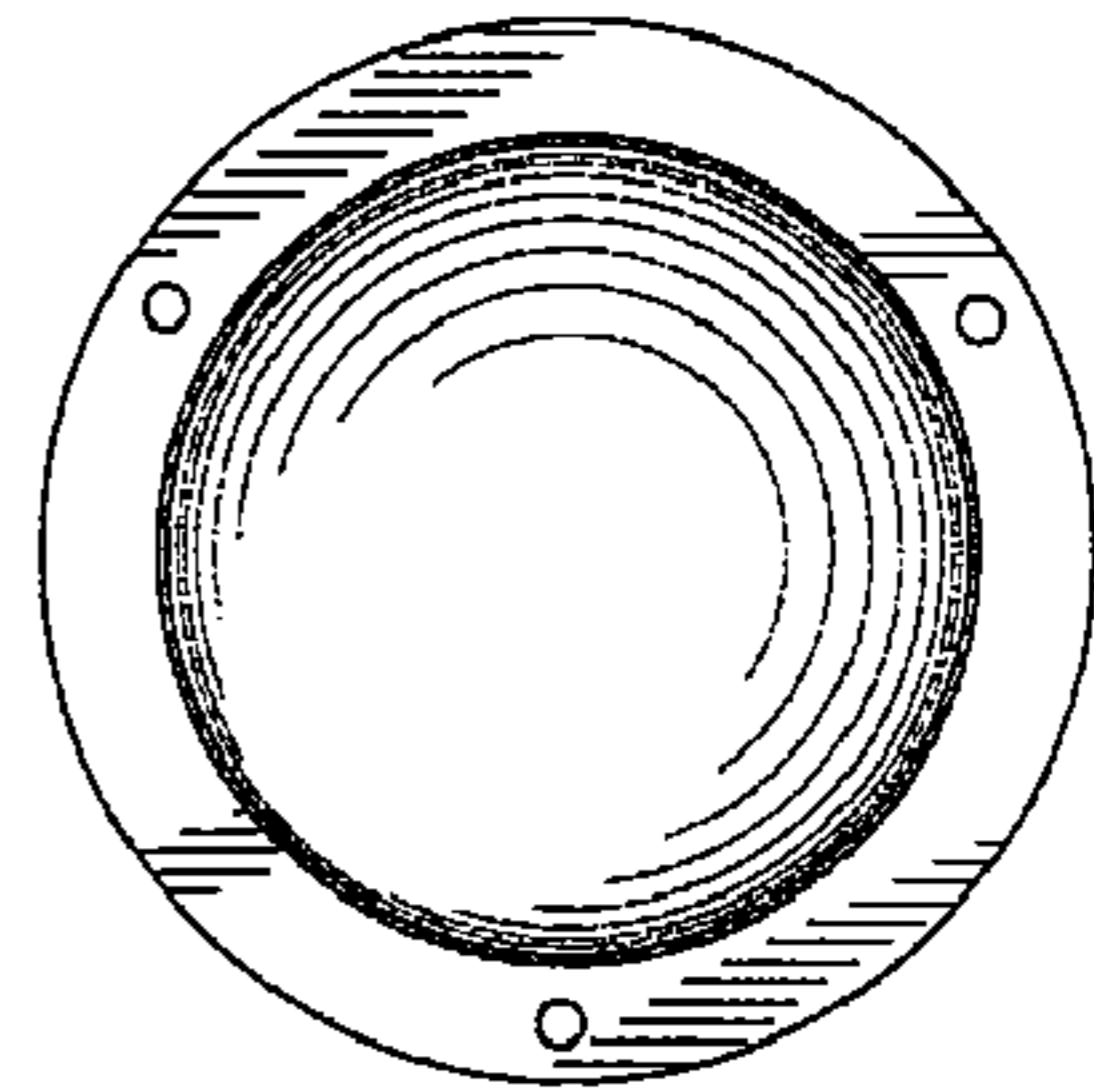


Fig. 5

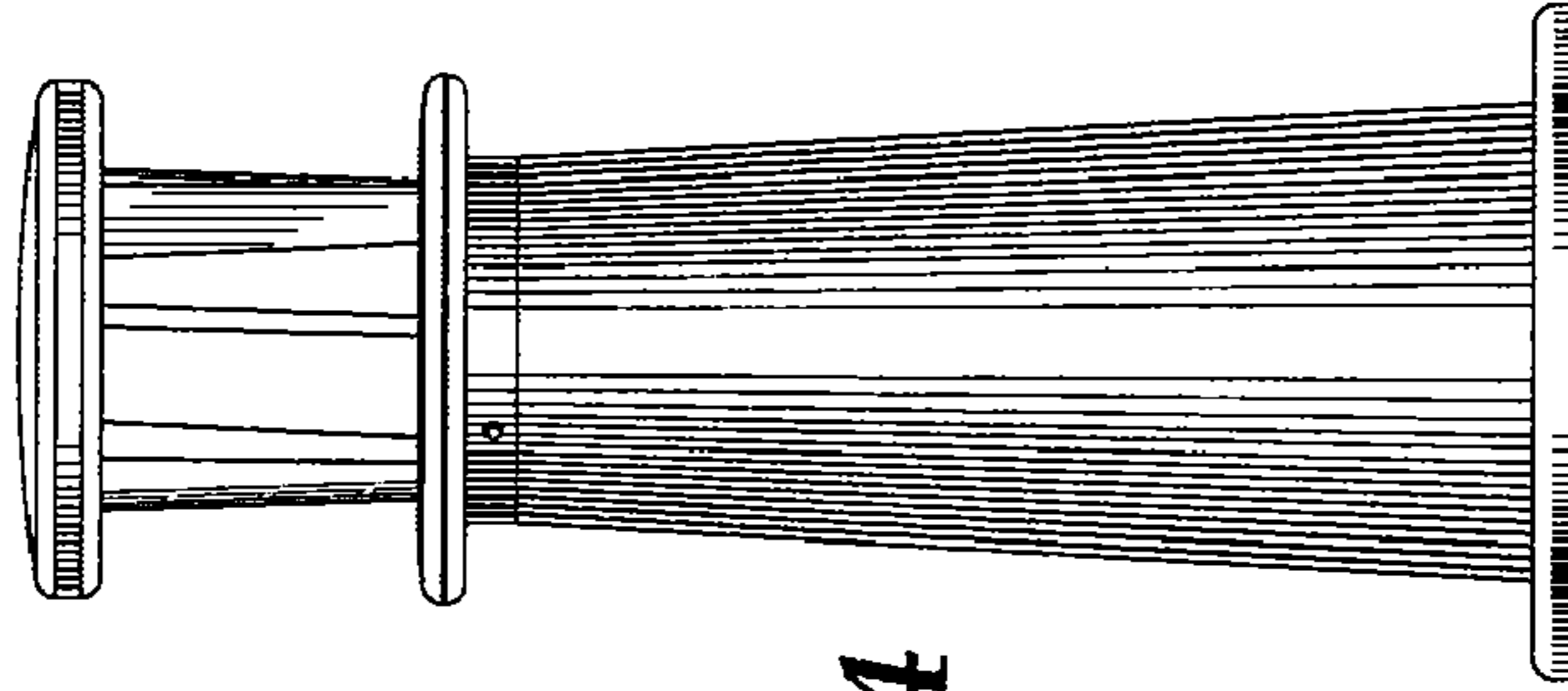


Fig. 4