



US00D597691S

(12) **United States Design Patent**  
**Fuentes**

(10) **Patent No.:** **US D597,691 S**

(45) **Date of Patent:** **\*\* Aug. 4, 2009**

(54) **HEAD LIGHT FOR USE WITH A HELMET**

(76) Inventor: **Oscar Fuentes**, 1251 S. Cypress Ave.,  
Ontario, CA (US) 91762

(\*\*) Term: **14 Years**

(21) Appl. No.: **29/327,211**

(22) Filed: **Oct. 31, 2008**

(51) **LOC (9) Cl.** ..... **26-02**

(52) **U.S. Cl.** ..... **D26/39**

(58) **Field of Classification Search** ..... D26/37,  
D26/38, 39, 46, 51; 362/105, 106, 191-208  
See application file for complete search history.

(56) **References Cited**

U.S. PATENT DOCUMENTS

D310,434 S	9/1990	Breece	
5,040,099 A	8/1991	Harris	
5,207,500 A	5/1993	Rios	
D358,984 S *	6/1995	Vandenbelt	..... D19/34
5,658,065 A *	8/1997	Jamieson	..... 362/106
5,667,292 A *	9/1997	Sabalvaro, Jr.	..... 362/106
5,704,707 A	1/1998	Gebelein et al.	
D448,100 S *	9/2001	Husband	..... D26/39
D460,206 S *	7/2002	Brok	..... D26/37
6,634,031 B1 *	10/2003	Schlapkohl	..... 2/209.13
6,659,618 B2 *	12/2003	Waters	..... 362/106
D507,065 S *	7/2005	Son	..... D26/39
D541,452 S *	4/2007	Schnell	..... D26/39
7,221,263 B2	5/2007	Moore et al.	
7,264,368 B2 *	9/2007	Sherring	..... 362/105
D566,311 S *	4/2008	Schnell	..... D26/39

2006/0133069 A1 *	6/2006	Clupper et al.	..... 362/106
2007/0097668 A1 *	5/2007	Choi	..... 362/105
2007/0285221 A1	12/2007	Howe	

\* cited by examiner

*Primary Examiner*—Ian Simmons

*Assistant Examiner*—Carissa C Fitts

(74) *Attorney, Agent, or Firm*—Shelley M. Cobos; Loza & Loza, LLP

(57) **CLAIM**

The ornamental design of a head light for use with a helmet, as shown and described.

**DESCRIPTION**

FIG. 1 is a perspective view of a head light for use with a helmet of the present invention with the dotted lines showing being for illustrative purposes only and to which no claim is made;

FIG. 2 is a front view of a head light for use with a helmet of the present invention;

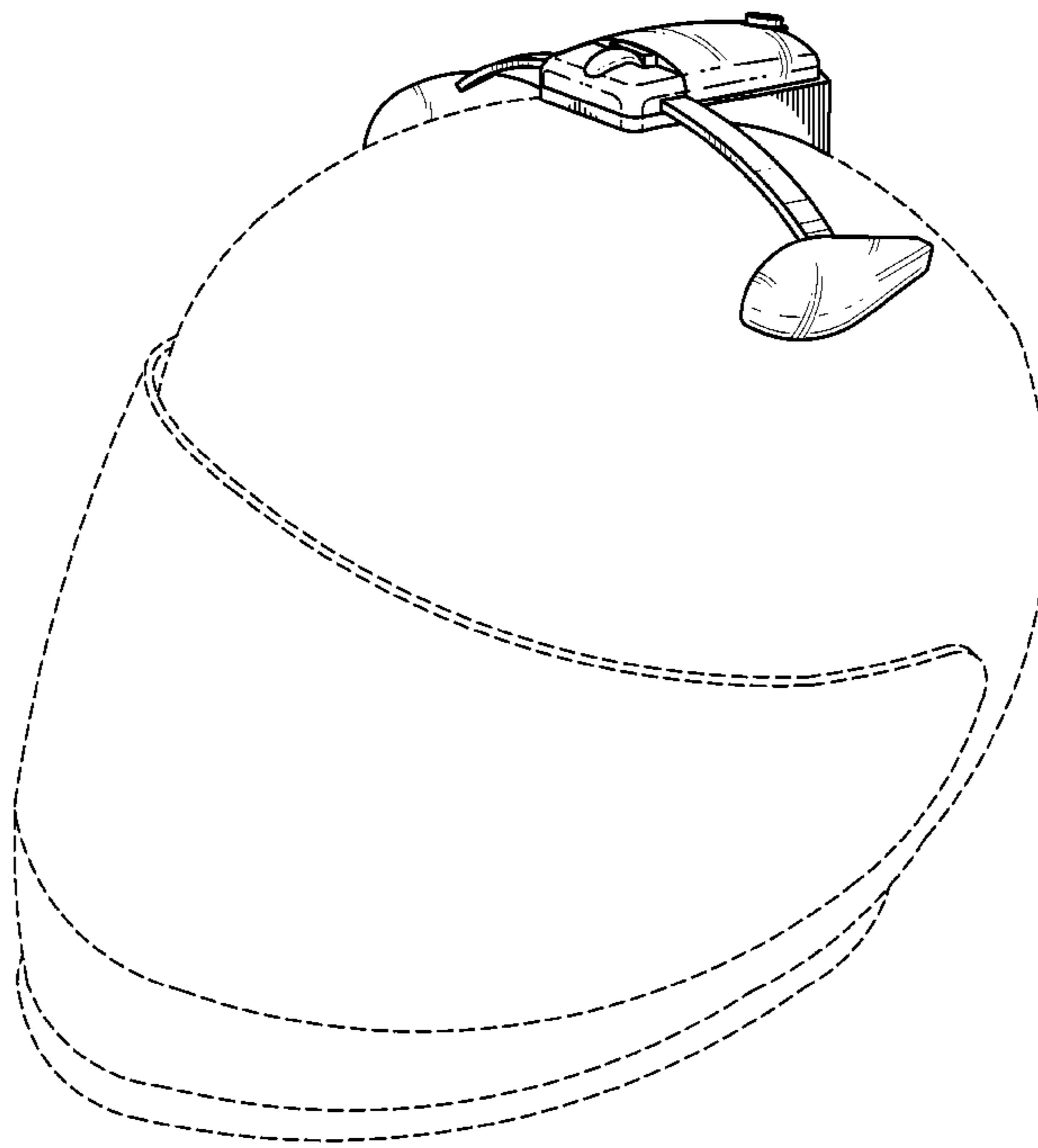
FIG. 3 is a rear view of a head light for use with a helmet of the present invention;

FIG. 4 is a side view of head light for use with a helmet of the present invention;

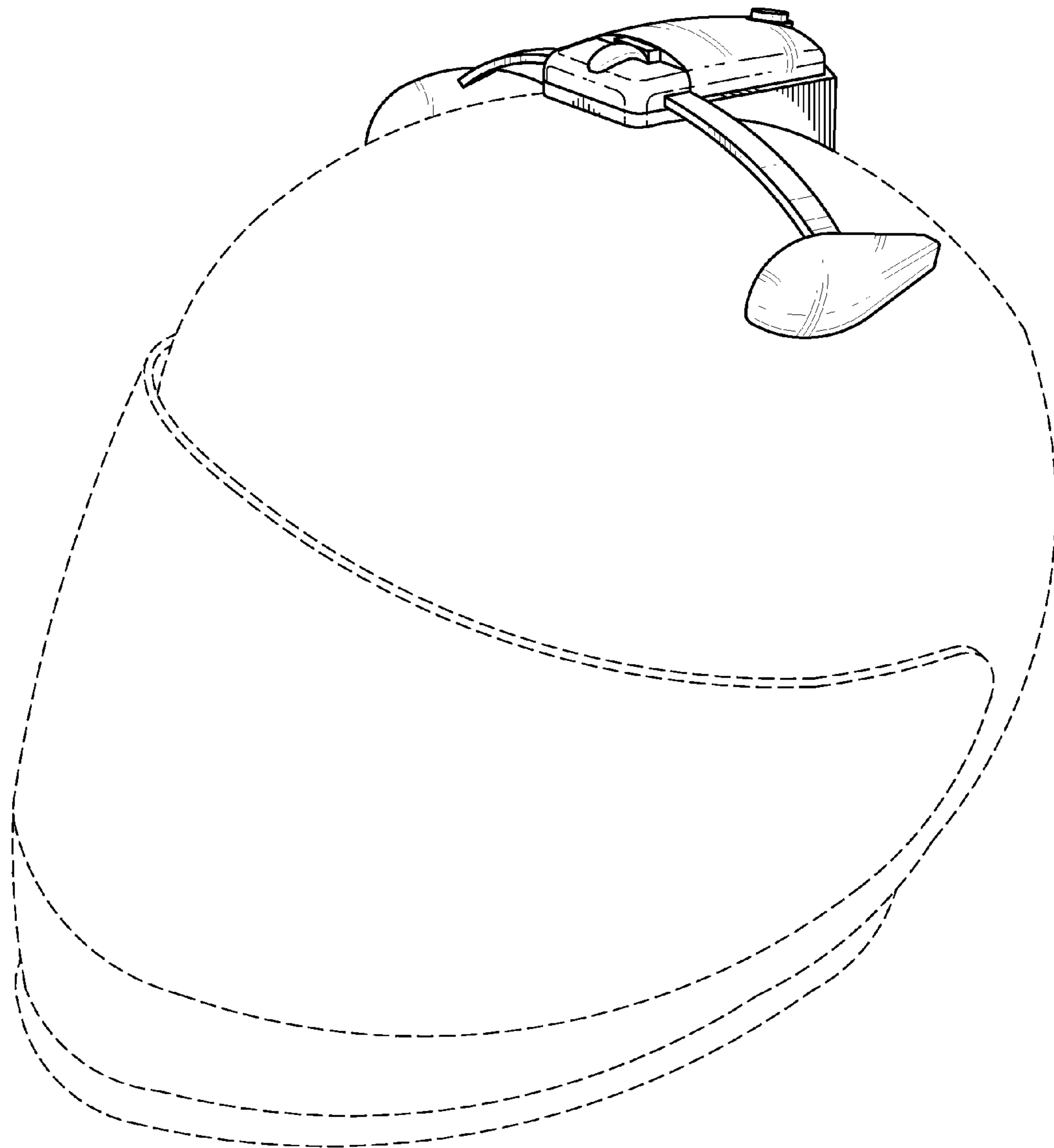
FIG. 5 is a top aerial view of a head light for use with a helmet of the present invention; and,

FIG. 6 is a bottom aerial view of a head light for use with a helmet of the present invention.

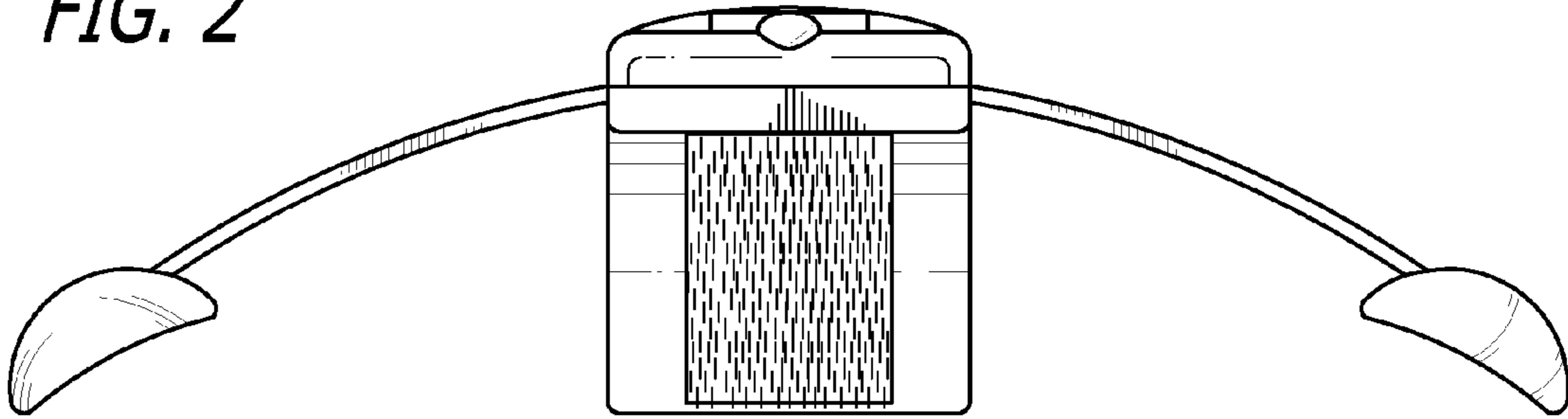
**1 Claim, 3 Drawing Sheets**



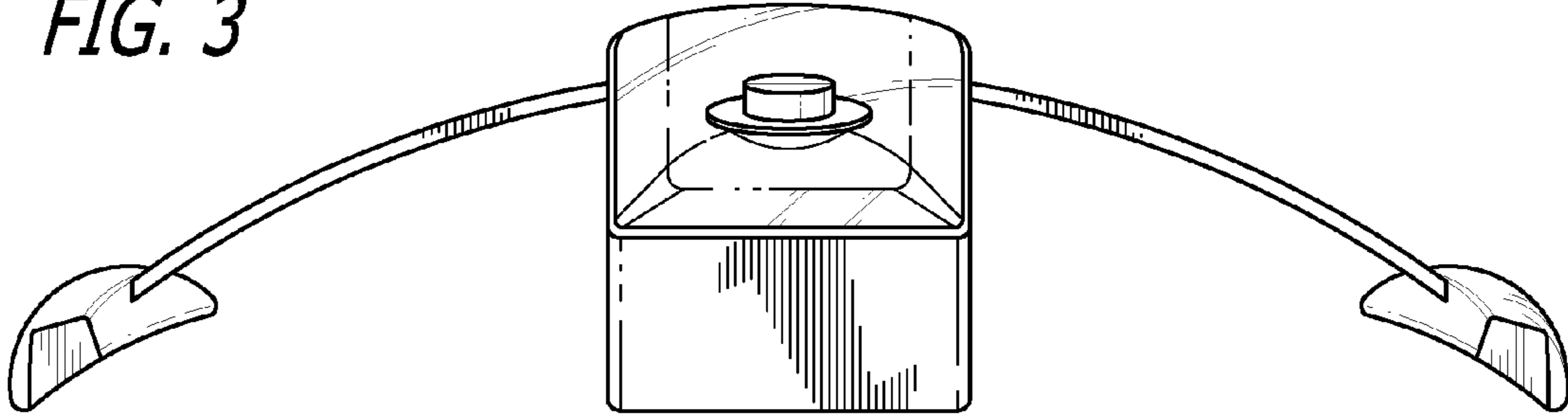
*FIG. 1*



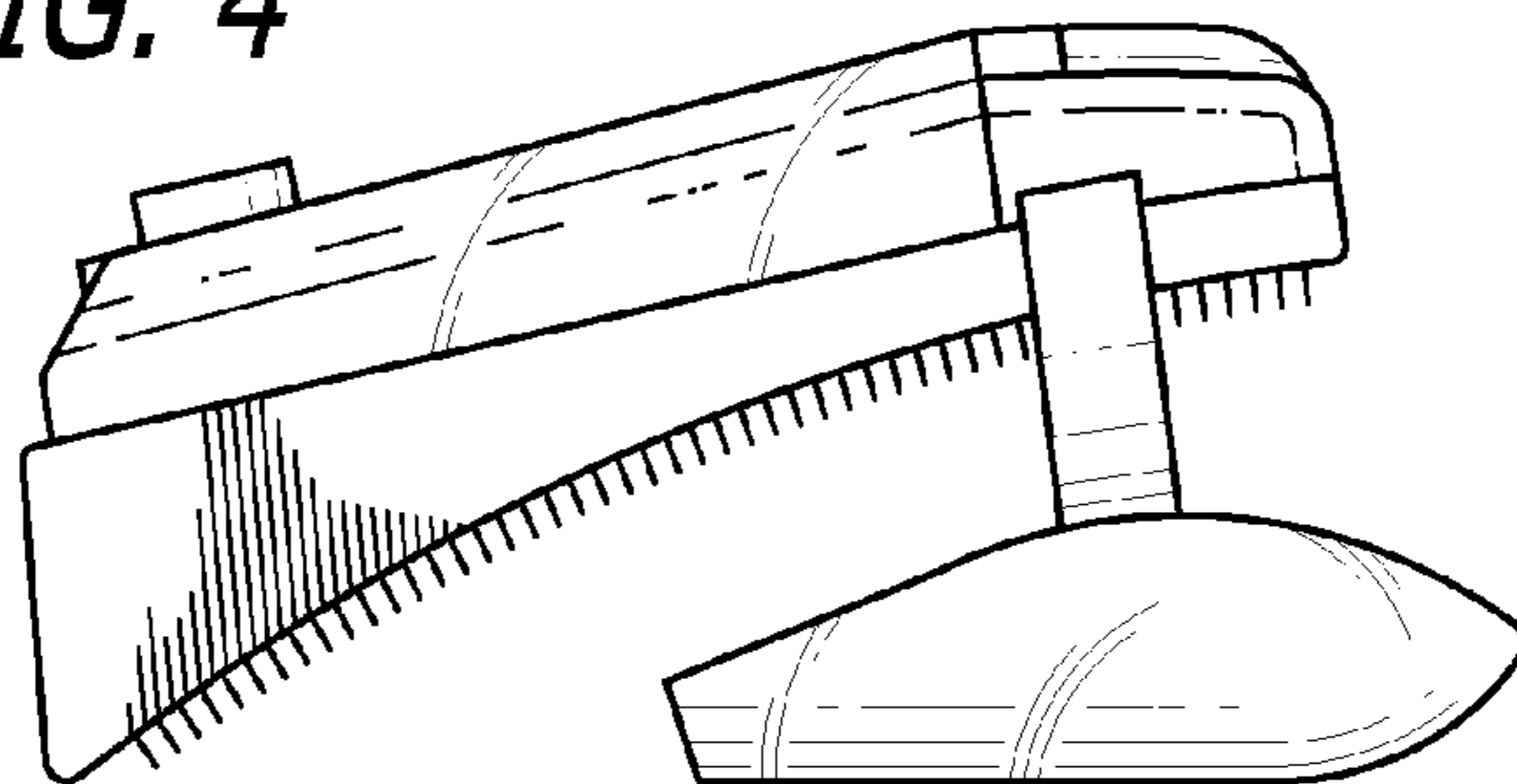
*FIG. 2*



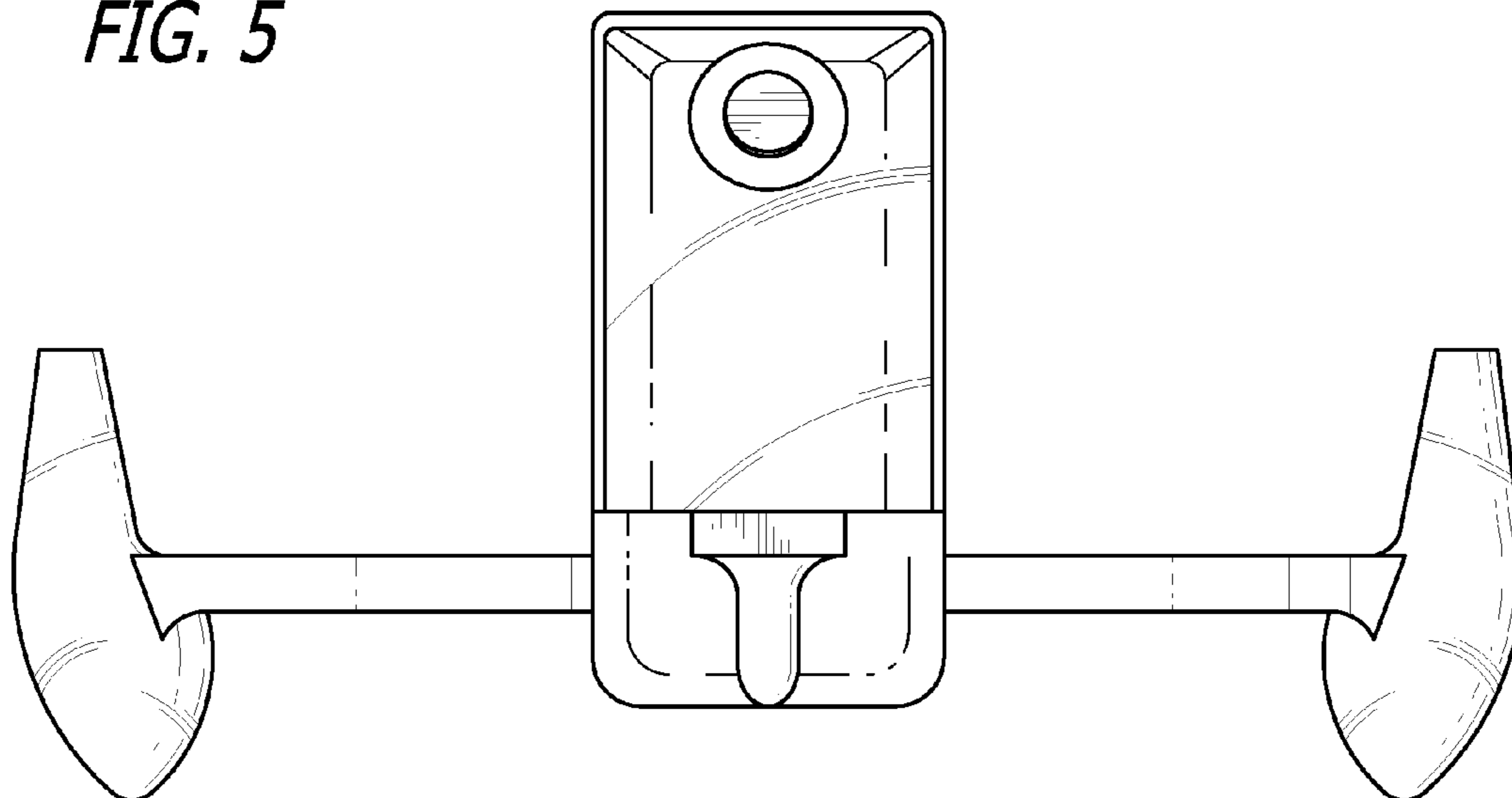
*FIG. 3*



*FIG. 4*



*FIG. 5*



*FIG. 6*

