



US00D597688S

(12) **United States Design Patent**  
**Kawagoe et al.**

(10) **Patent No.:** **US D597,688 S**  
(45) **Date of Patent:** **\*\* Aug. 4, 2009**

(54) **LAMP FILAMENT**

(75) Inventors: **Shinya Kawagoe**, Kadoma (JP);  
**Naotaka Hashimoto**, Kadoma (JP);  
**Toshiyasu Kojima**, Kadoma (JP); **Taku Ikeda**, Kadoma (JP)

(73) Assignee: **Panasonic Corporation**, Osaka (JP)

(\*\*) Term: **14 Years**

(21) Appl. No.: **29/324,670**

(22) Filed: **Sep. 17, 2008**

**Related U.S. Application Data**

(62) Division of application No. 29/289,021, filed on Jun. 29, 2007, now Pat. No. Des. 581,064.

(51) **LOC (9) Cl.** ..... **26-04**  
(52) **U.S. Cl.** ..... **D26/3**  
(58) **Field of Classification Search** ..... D26/1-4;  
313/313, 315, 317, 318, 493; 315/52, 53,  
315/56, 57, 58

See application file for complete search history.

(56) **References Cited**

**U.S. PATENT DOCUMENTS**

|             |         |                      |
|-------------|---------|----------------------|
| D15,685 S   | 1/1885  | Hurdle               |
| D15,839 S   | 2/1885  | Slattery             |
| D32,396 S   | 3/1900  | Husselman            |
| 2,100,879 A | 11/1937 | Smith                |
| 2,880,352 A | 3/1959  | Hart                 |
| 3,416,024 A | 12/1968 | Young                |
| 3,777,207 A | 12/1973 | Notelteirs et al.    |
| 3,875,443 A | 4/1975  | Nakamura             |
| 4,297,611 A | 10/1981 | Cortorillo           |
| 4,568,854 A | 2/1986  | Westlund, Jr. et al. |
| 5,252,888 A | 10/1993 | Topel et al.         |
| D392,057 S  | 3/1998  | Chen                 |

|              |         |                        |
|--------------|---------|------------------------|
| D395,714 S   | 6/1998  | Murata                 |
| D395,716 S   | 6/1998  | Murata                 |
| D410,554 S   | 6/1999  | Guyton                 |
| D450,860 S   | 11/2001 | Moriyama et al.        |
| D502,558 S * | 3/2005  | Iida et al. .... D26/3 |
| D512,788 S   | 12/2005 | Komiya et al.          |
| D520,150 S   | 5/2006  | Komiya et al.          |
| D537,547 S * | 2/2007  | Iida .... D26/3        |

**FOREIGN PATENT DOCUMENTS**

|    |          |         |
|----|----------|---------|
| JP | D1067839 | 4/2000  |
| JP | D1119354 | 8/2001  |
| JP | D1129862 | 12/2001 |
| JP | D1225823 | 12/2004 |

\* cited by examiner

*Primary Examiner*—Marcus A. Jackson

(74) *Attorney, Agent, or Firm*—Brinks Hofer Gilson & Lione

(57) **CLAIM**

We claim the ornamental design for a lamp filament, as shown and described.

**DESCRIPTION**

FIG. 1 is a top, front, right side perspective view of a lamp filament showing our new design;

FIG. 2 is a front elevation view thereof;

FIG. 3 is a rear elevation view thereof;

FIG. 4 is a left side elevation view thereof;

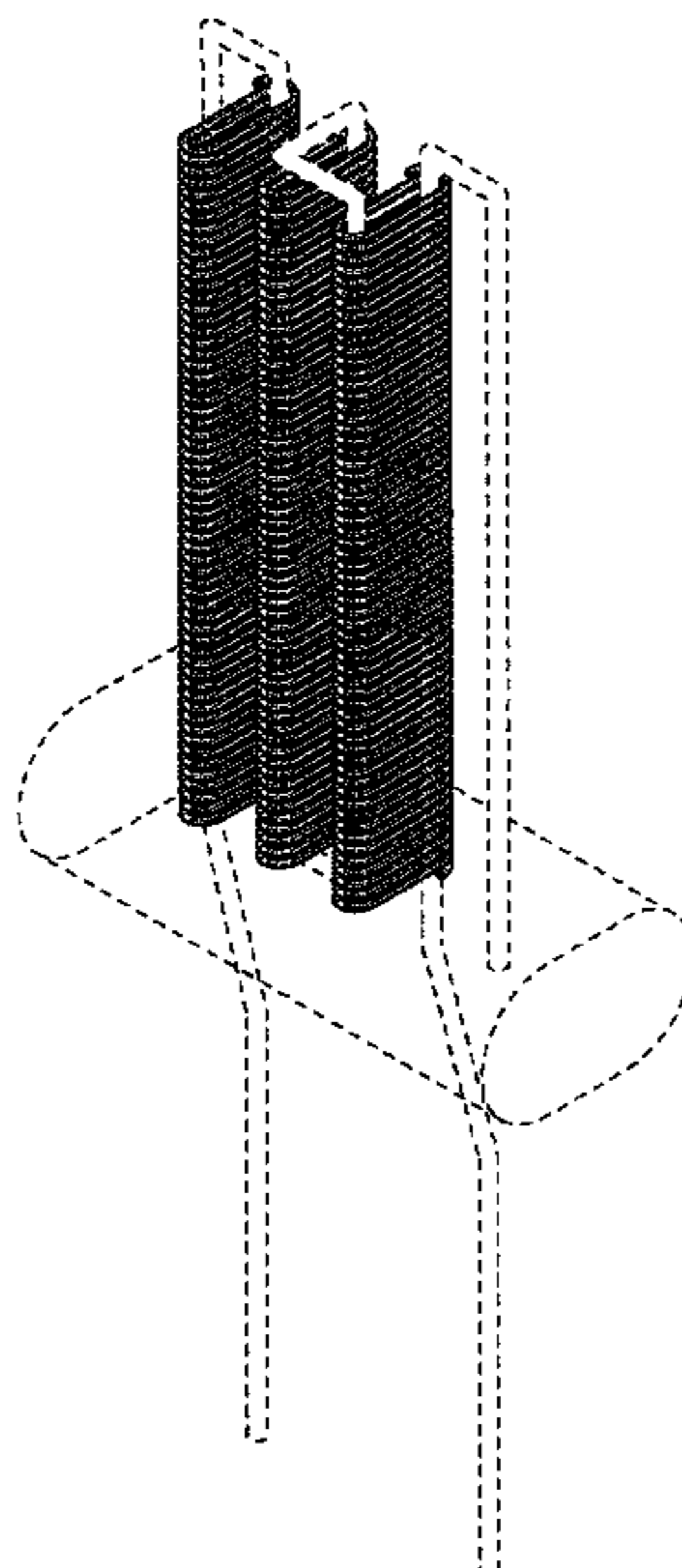
FIG. 5 is a right side elevation view thereof;

FIG. 6 is a top plan view thereof; and,

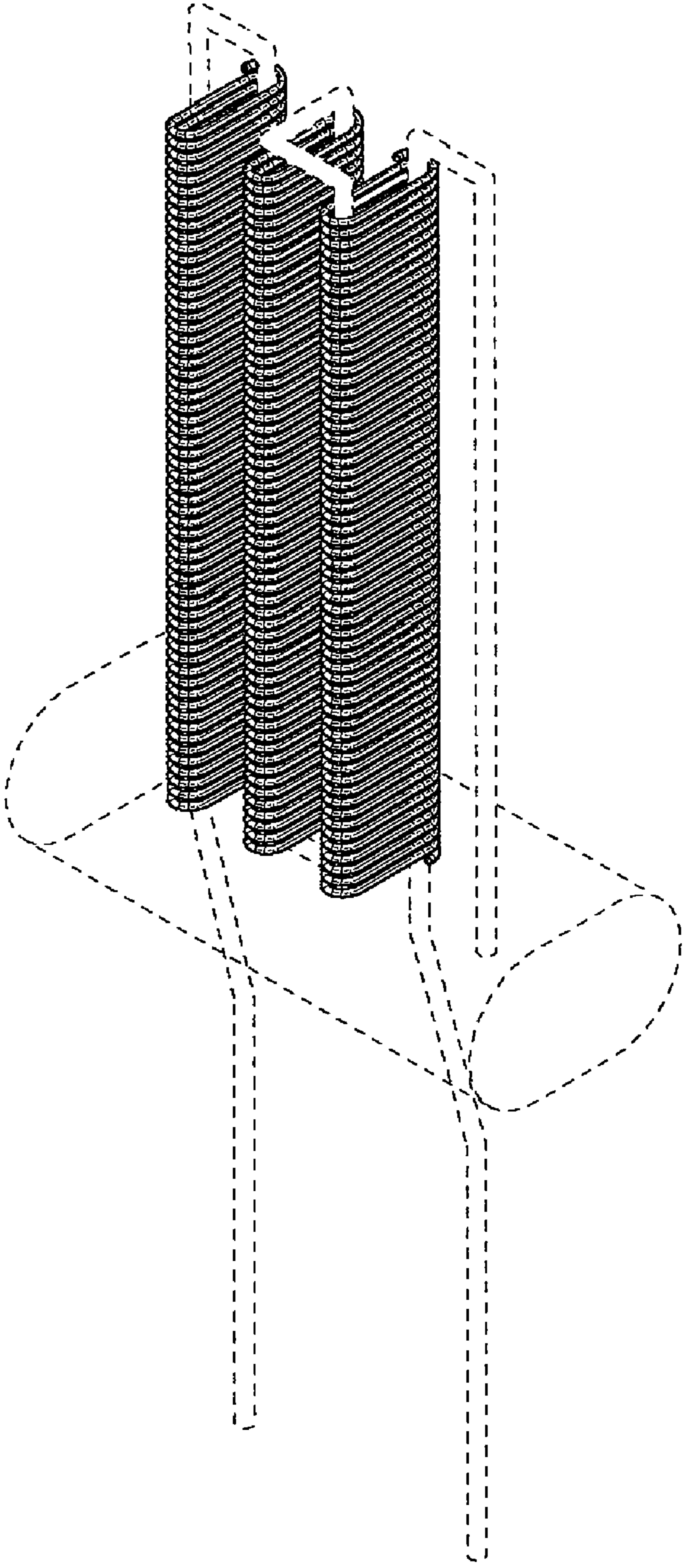
FIG. 7 is a bottom plan view thereof.

The bottom portion of the lamp filament shown in broken lines illustrates a portion of the design that forms no part of the claim.

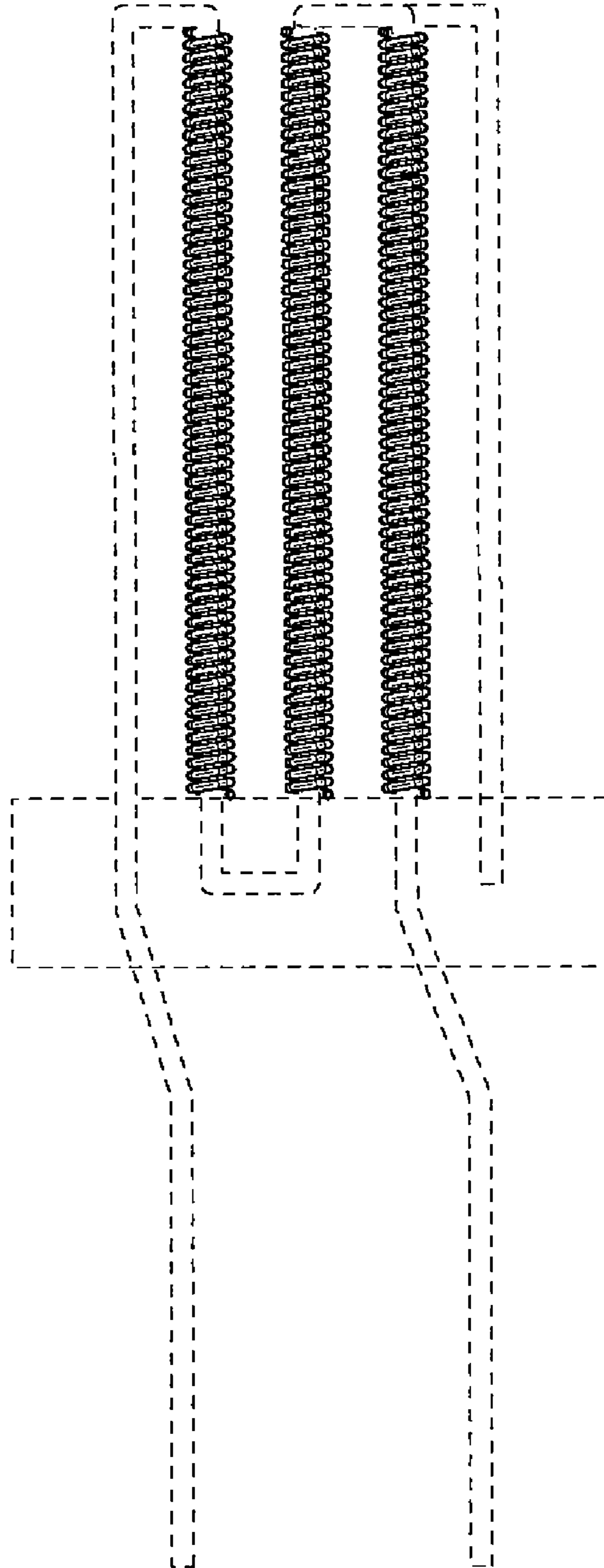
**1 Claim, 7 Drawing Sheets**



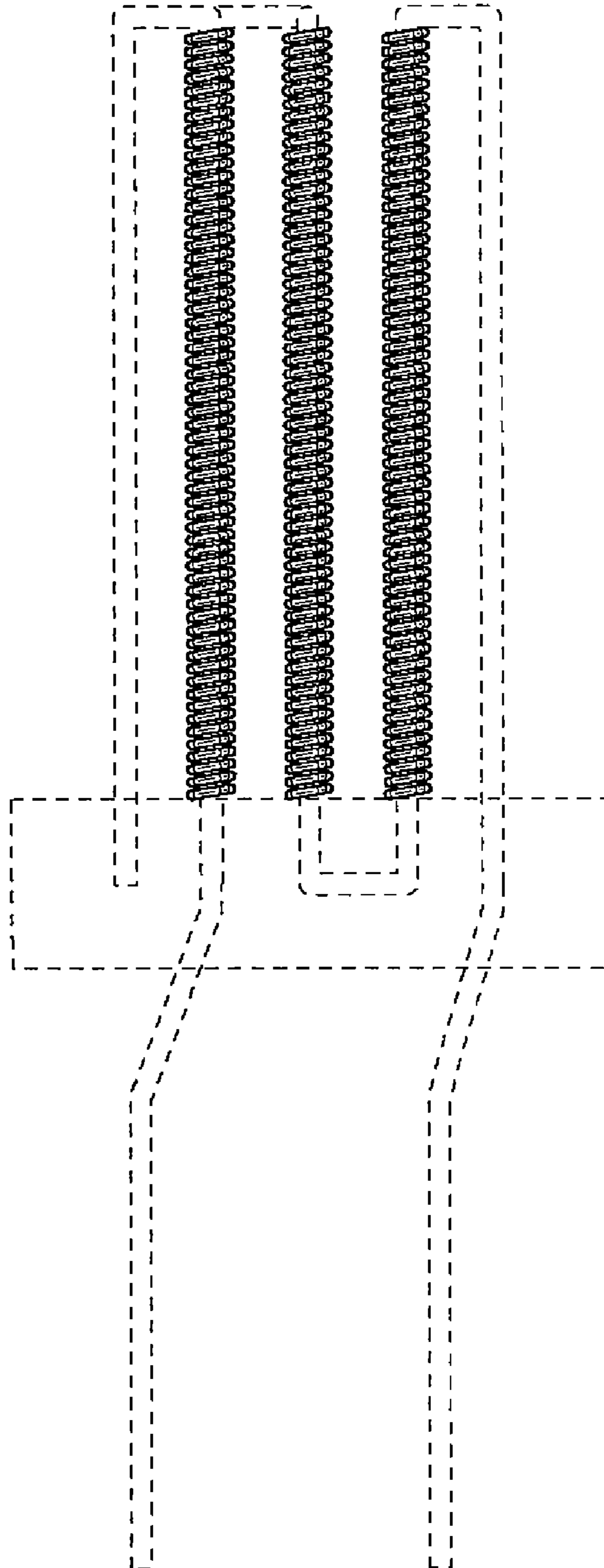
**FIG. 1**



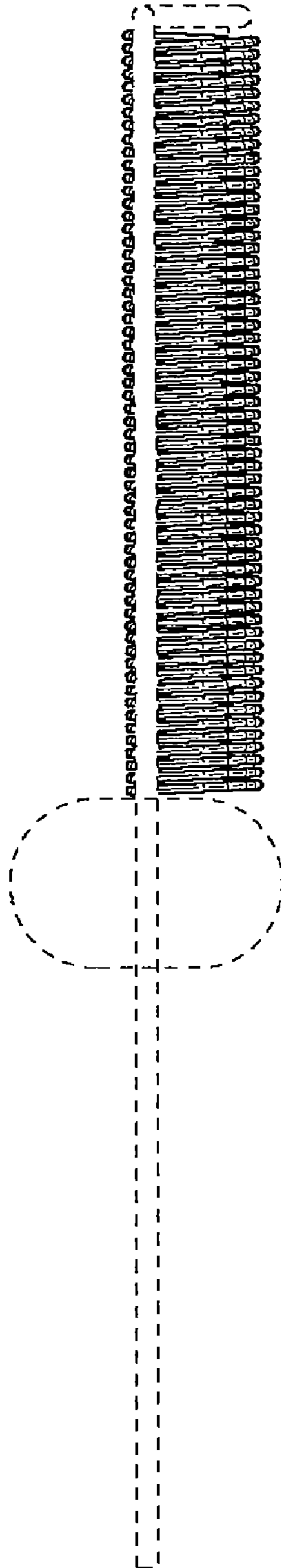
**FIG.2**



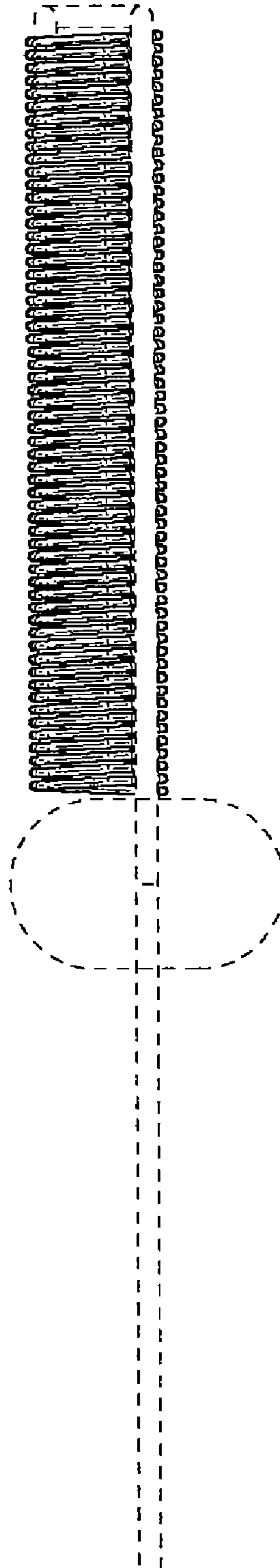
**FIG.3**



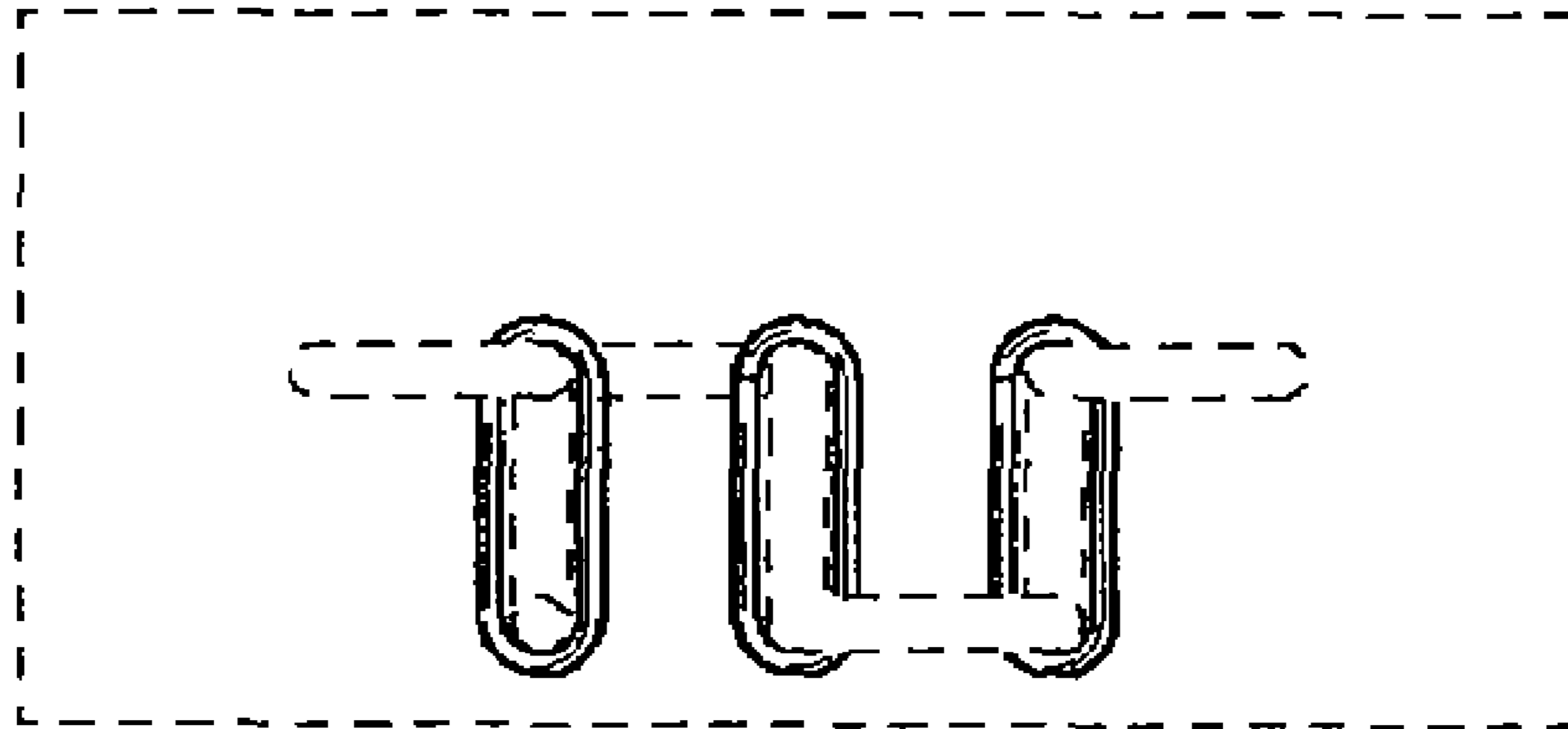
**FIG.4**



**FIG.5**



**FIG. 6**



**FIG. 7**

