



US00D597685S

(12) **United States Design Patent**  
**Gibson et al.**

(10) **Patent No.:** **US D597,685 S**

(45) **Date of Patent:** **\*\* Aug. 4, 2009**

(54) **LADDER TOP**

(75) Inventors: **Donald L. Gibson**, Louisville, KY (US);  
**Abraham Gómez López**, Nuevo Leon (MX)

(73) Assignee: **Louisville Ladder Inc.**, Louisville, KY (US)

(\*\*) Term: **14 Years**

(21) Appl. No.: **29/319,432**

(22) Filed: **Jun. 9, 2008**

(51) **LOC (9) Cl.** ..... **25-04**

(52) **U.S. Cl.** ..... **D25/68**

(58) **Field of Classification Search** ..... D25/68,  
D25/64; 248/238; 182/151, 129  
See application file for complete search history.

(56) **References Cited**

**U.S. PATENT DOCUMENTS**

5,259,480	A	11/1993	Bartnicki et al.	
5,358,070	A	10/1994	Bartnicki et al.	
D444,890	S *	7/2001	Redgate	..... D25/68
D500,145	S *	12/2004	Cromberg	..... D25/68
7,000,732	B1	2/2006	Briggs	
7,077,238	B2	7/2006	Butler et al.	
D530,025	S	10/2006	Patton et al.	

D531,322	S	10/2006	Patton et al.	
7,114,592	B1	10/2006	Gibson et al.	
2002/0017430	A1 *	2/2002	Rosko	..... 182/129

**OTHER PUBLICATIONS**

U.S. Appl. No. 11/347,613, filed Aug. 9, 2007, Astor, et al.  
U.S. Appl. No. 11/416,961, filed Aug. 9, 2007, Astor.

\* cited by examiner

*Primary Examiner*—Doris Clark

(74) *Attorney, Agent, or Firm*—Egbert Law Offices PLLC

(57) **CLAIM**

The ornamental design for the ladder top, as shown and described.

**DESCRIPTION**

FIG. 1 is an upper perspective view of the ladder top showing our design.

FIG. 2 is a top plan view thereof;

FIG. 3 is a bottom plan view thereof;

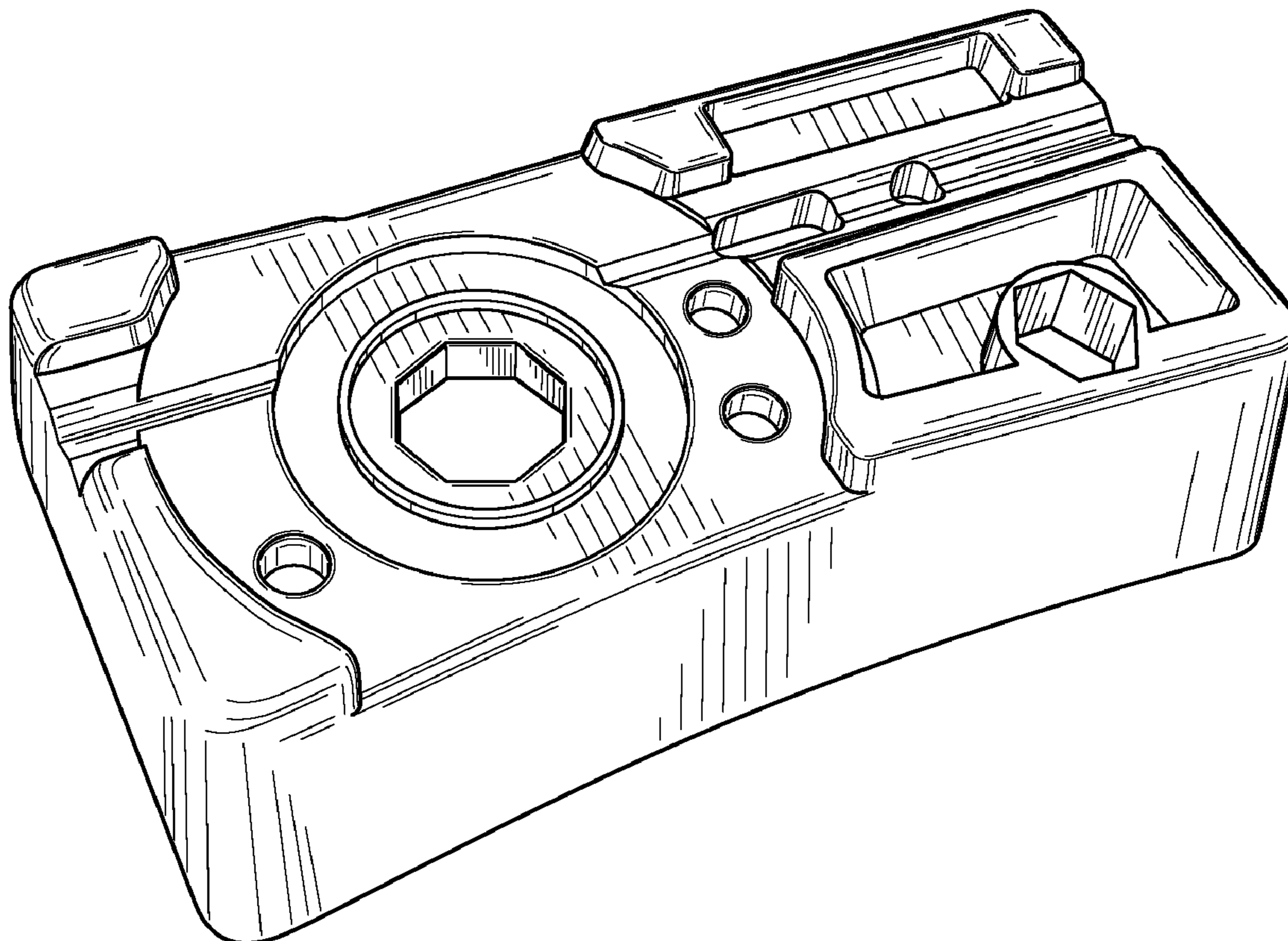
FIG. 4 is a side view thereof;

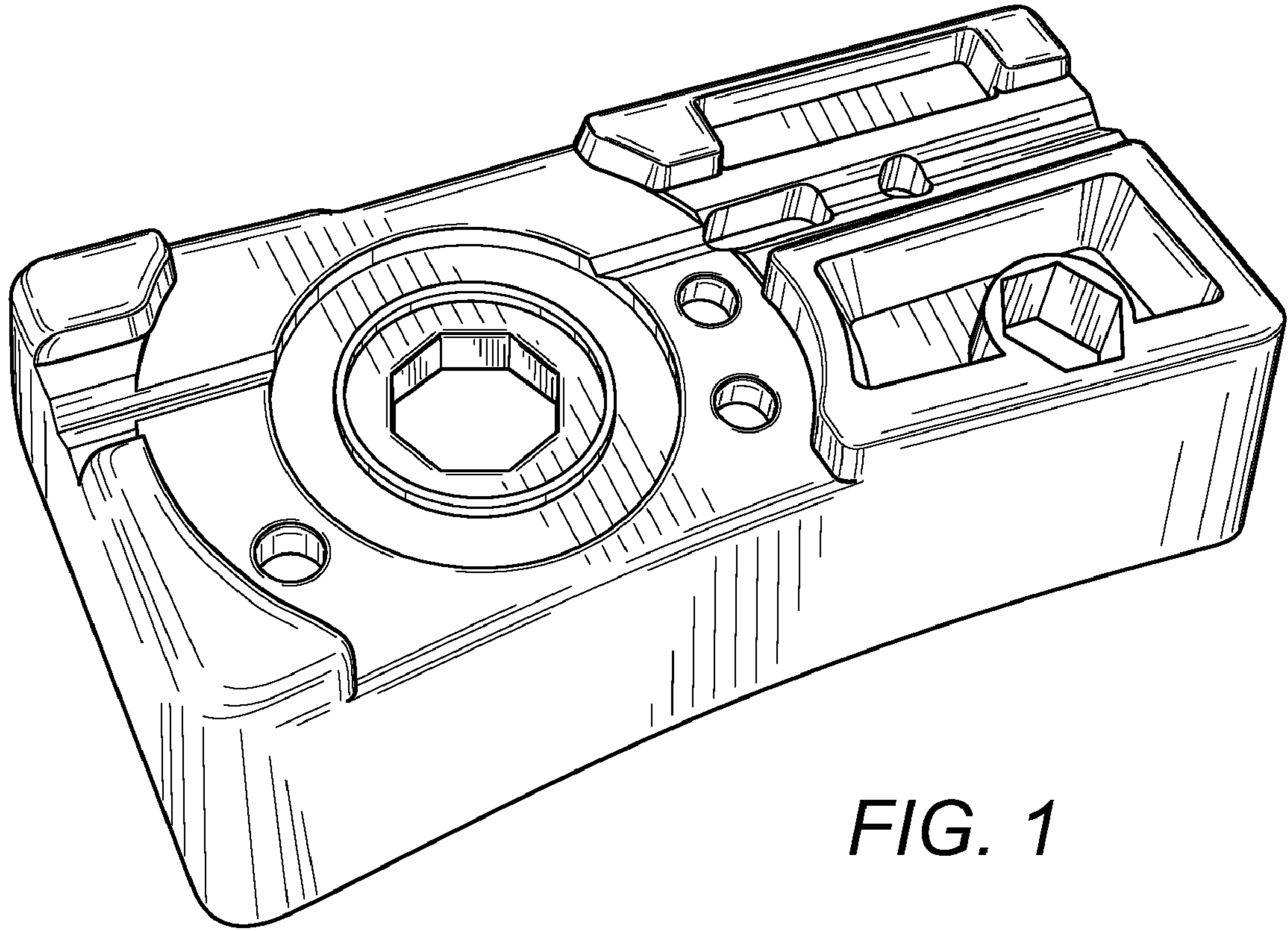
FIG. 5 is an opposite side view thereof;

FIG. 6 is a back elevation view thereof; and,

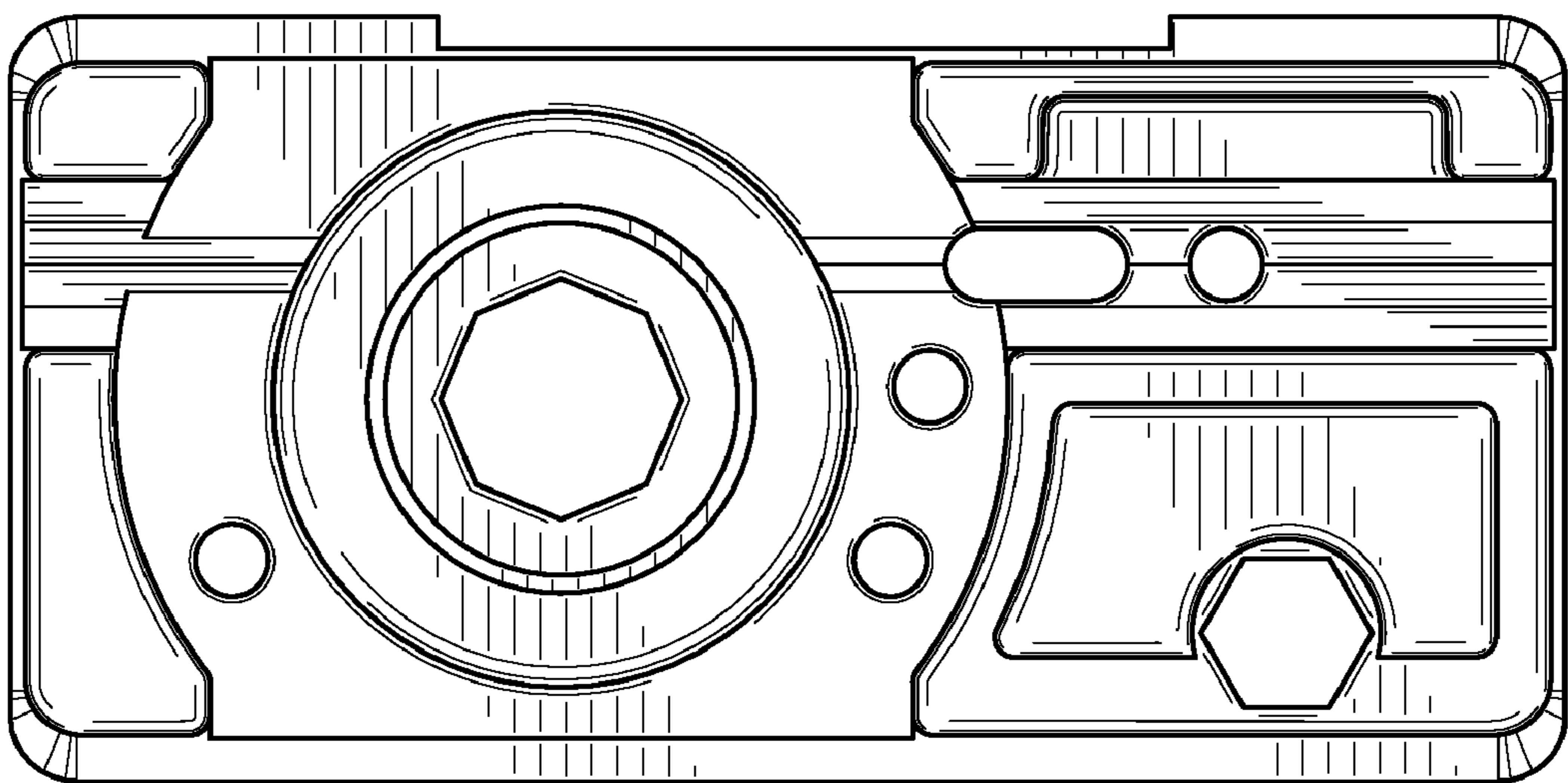
FIG. 7 is a front elevation view thereof.

**1 Claim, 3 Drawing Sheets**

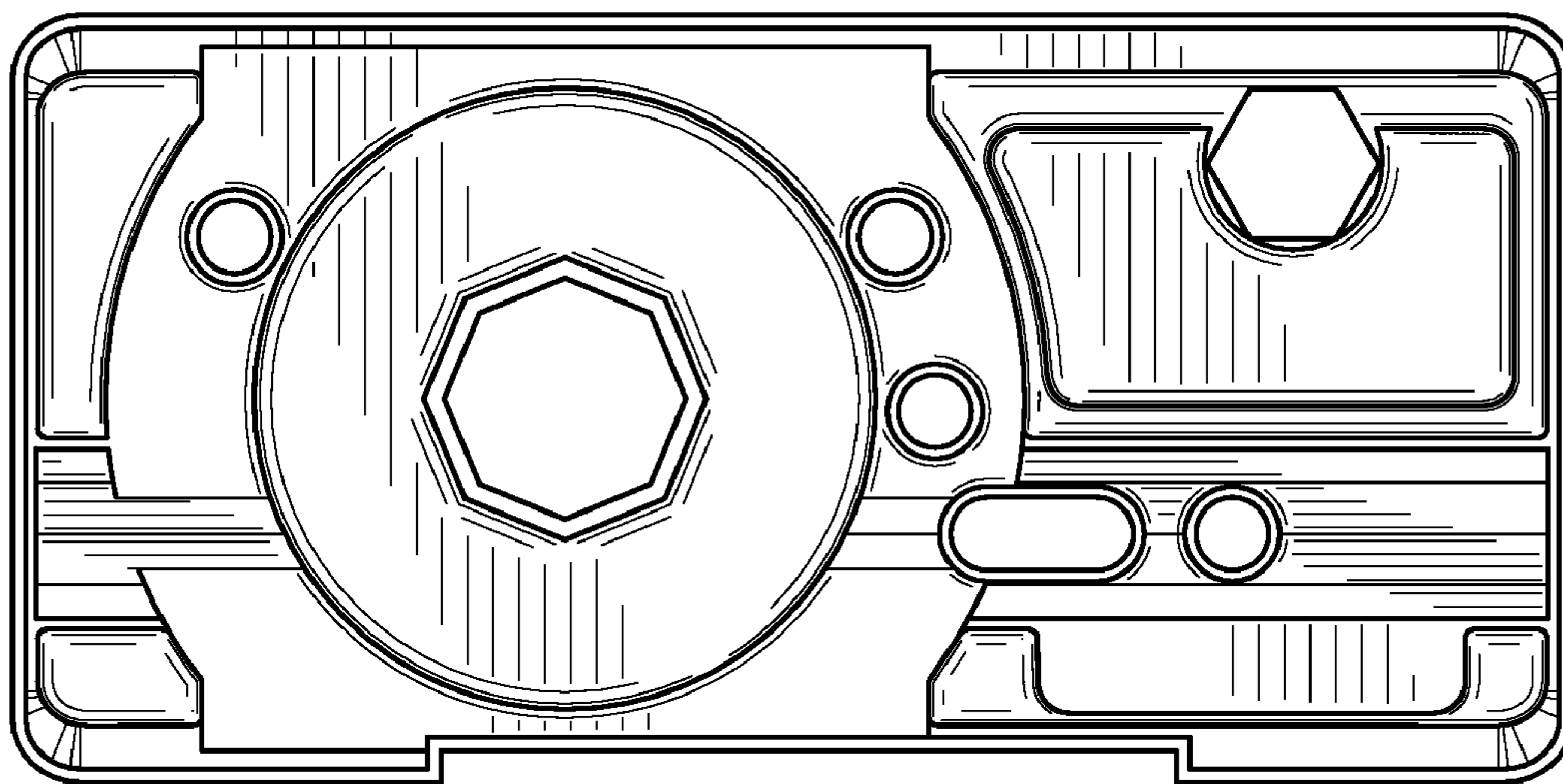




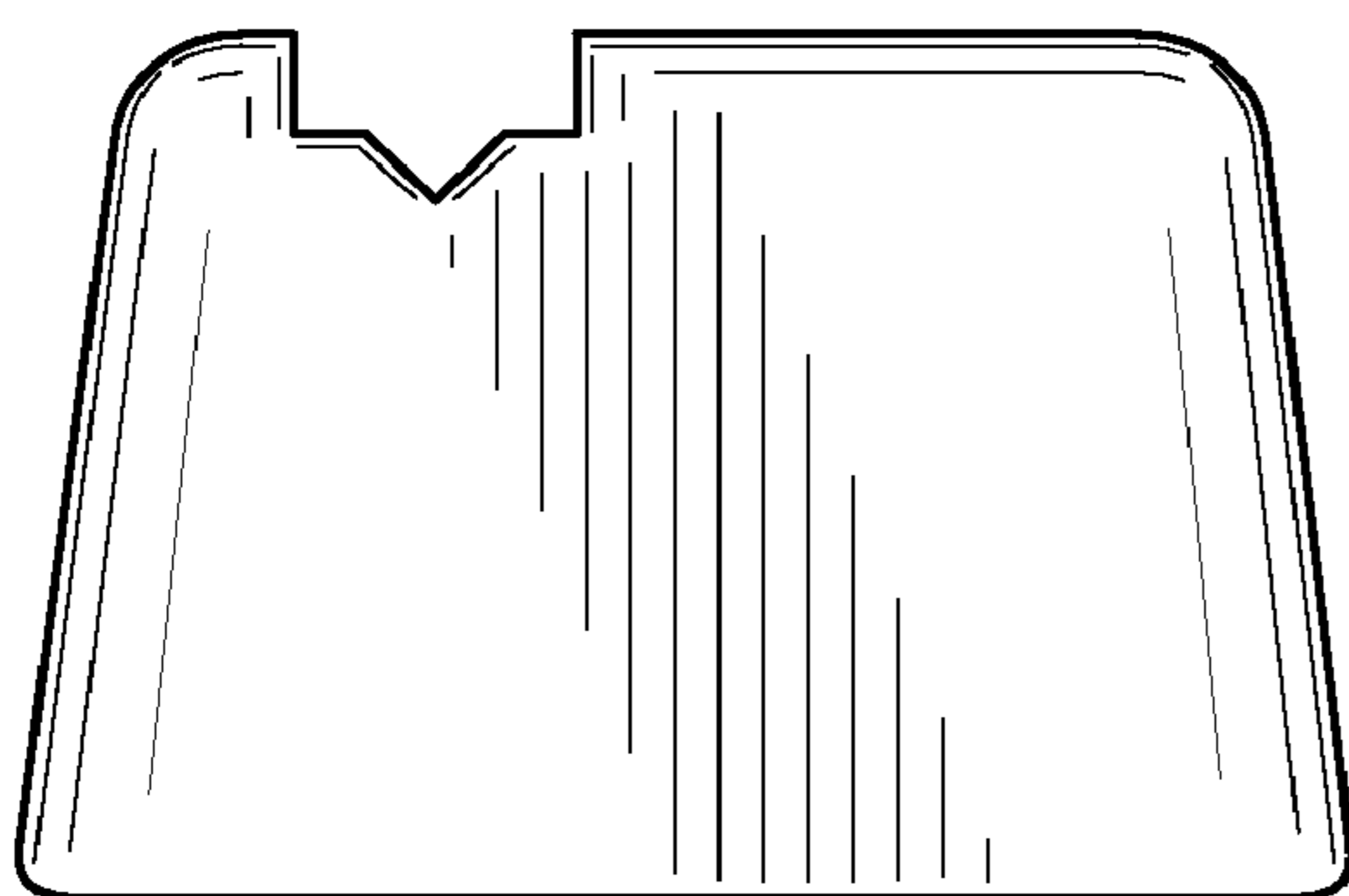
*FIG. 1*



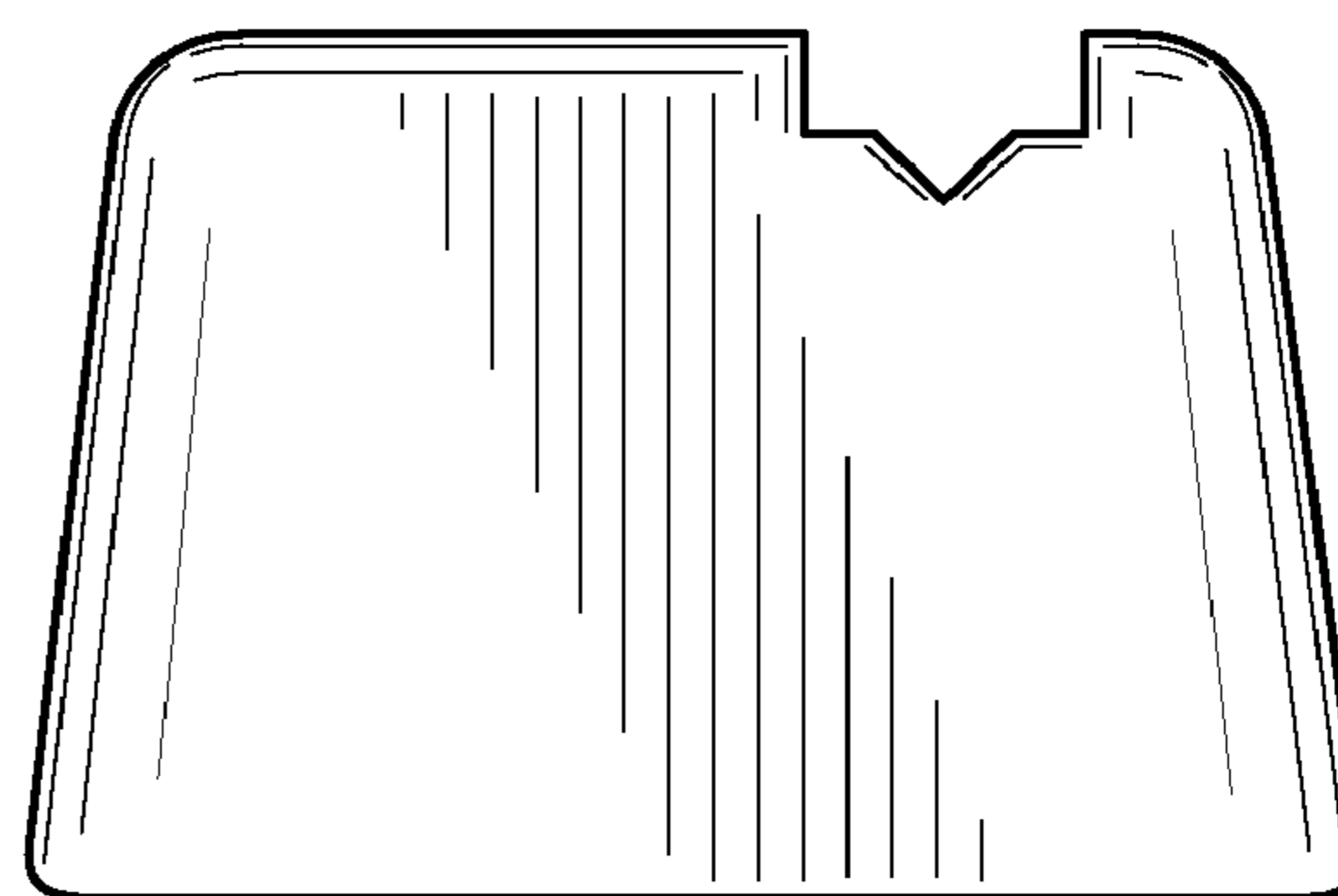
*FIG. 2*



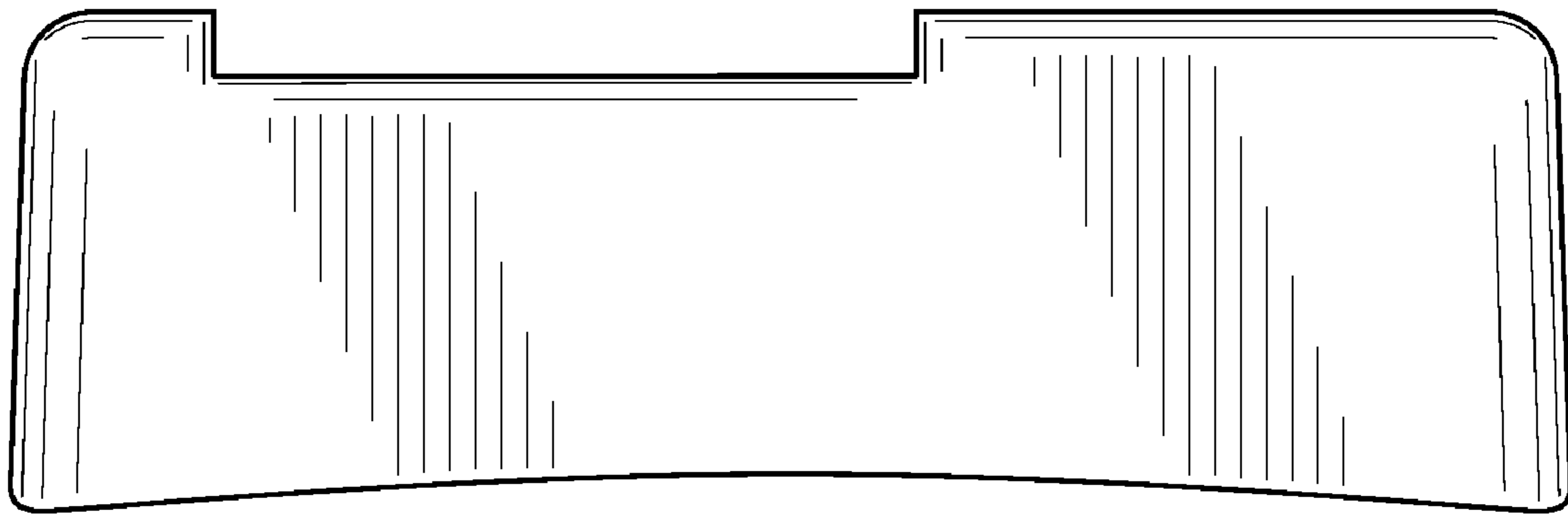
*FIG. 3*



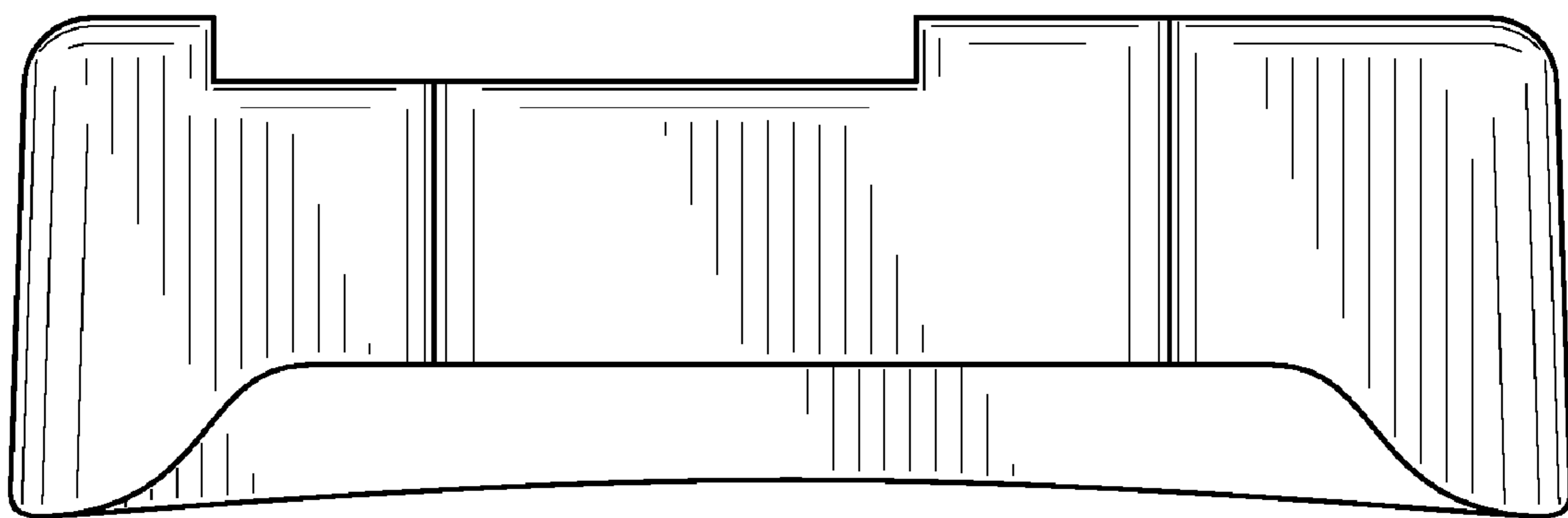
*FIG. 4*



*FIG. 5*



*FIG. 6*



*FIG. 7*