



US00D597684S

(12) **United States Design Patent**
Genova

(10) **Patent No.:** **US D597,684 S**
(45) **Date of Patent:** **** Aug. 4, 2009**

(54) **SPA STEP ASSEMBLY**

(76) Inventor: **Michael C. Genova**, 5342 N. Florida St.,
Spokane, WA (US) 99217

(**) Term: **14 Years**

(21) Appl. No.: **29/301,378**

(22) Filed: **Feb. 26, 2008**

Related U.S. Application Data

(63) Continuation-in-part of application No. 11/503,421,
filed on Aug. 11, 2006, which is a continuation-in-part
of application No. 29/258,320, filed on Apr. 20, 2006,
now Pat. No. Des. 550,374.

(51) **LOC (9) Cl.** **25-04**

(52) **U.S. Cl.** **D25/63; D25/65**

(58) **Field of Classification Search** 4/506,
4/488, 496; 182/191, 182, 184; D25/2, 65,
D25/62, 63; 52/169.7, 184

See application file for complete search history.

(56) **References Cited**

U.S. PATENT DOCUMENTS

3,755,981 A *	9/1973	West	52/184
5,916,099 A *	6/1999	Hall	52/169.7
D465,032 S *	10/2002	Robbins et al.	D25/63

* cited by examiner

Primary Examiner—Doris Clark

(74) *Attorney, Agent, or Firm*—Randy A. Gregory; Gregory
IPL, P.C.

(57) **CLAIM**

The ornamental design for a spa step assembly, as shown and
described.

DESCRIPTION

The present design is for a spa step assembly having tread
supports, treads and lighting features. Two embodiments are

shown. One embodiment includes drawers positioned
beneath the treads and the second does not have such drawers.
Said Spa Step Assembly is used for entering and exiting a spa,
hot tub and the like and in some embodiments be used to store
things therein. The treads can be reversed to expose different
shaped and appearing sides.

FIG. 1 is a front, right perspective view of the spa step assem-
bly;

FIG. 2 is a front, left perspective view thereof;

FIG. 3 is a top plan view thereof;

FIG. 4 is a front elevation view thereof;

FIG. 5 is a rear elevation view thereof;

FIG. 6 is a right side elevation view thereof, the left side is
identical thereto;

FIG. 7 is a front, right perspective view of a second embodi-
ment of the spa step assembly;

FIG. 8 is a front, left perspective view thereof;

FIG. 9 is a top plan view thereof;

FIG. 10 is a right, front perspective view of a third embodi-
ment of a spa step assembly;

FIG. 11 is a left, front perspective view thereof;

FIG. 12 is a top plan view thereof;

FIG. 13 is a front elevation view thereof;

FIG. 14 is a rear elevation view thereof

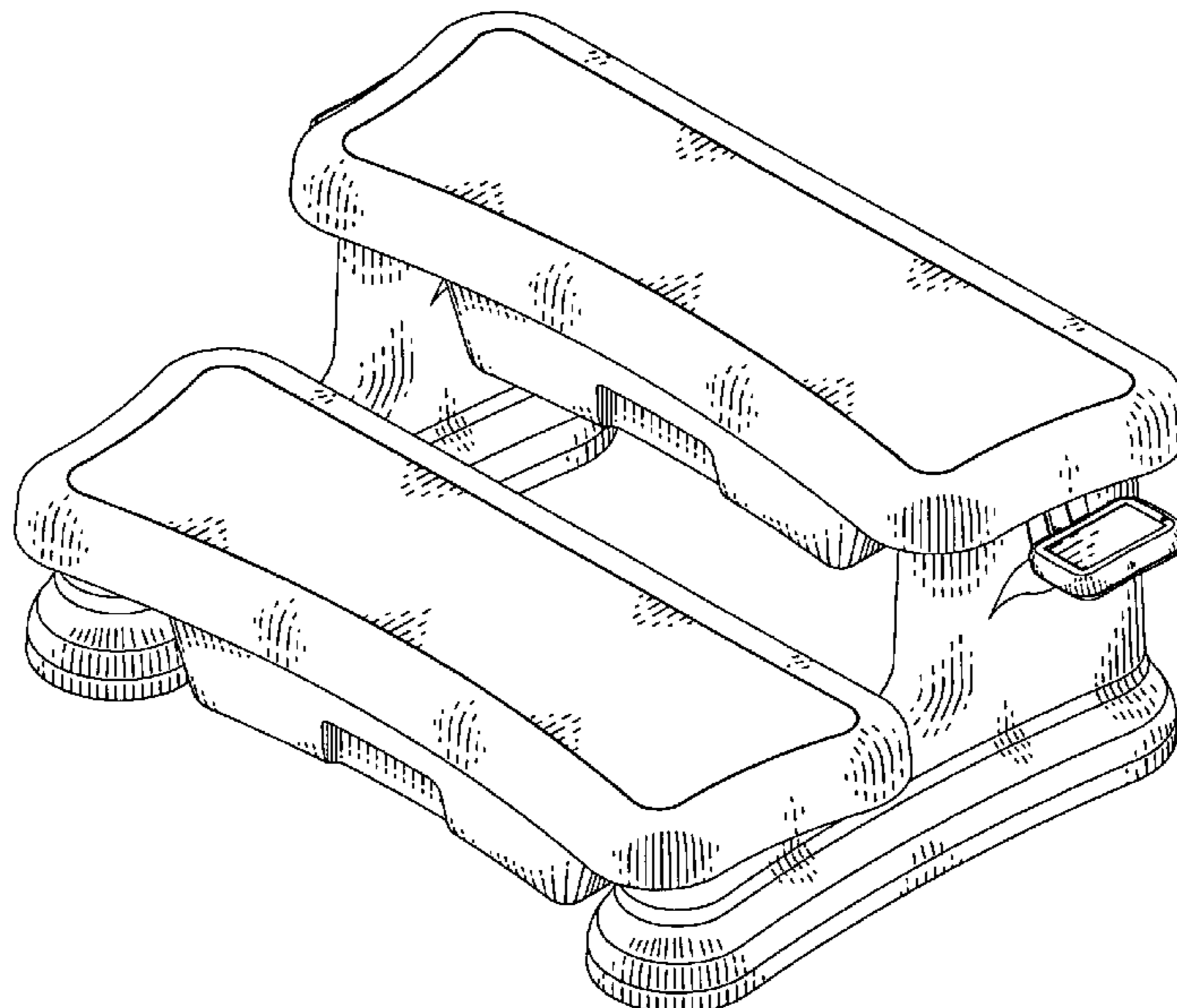
FIG. 15 is a right side elevation view thereof, the left side is
identical thereto;

FIG. 16 is a right, front perspective view of a fourth embodi-
ment of a spa step assembly;

FIG. 17 is a left, front perspective view thereof; and,

FIG. 18 is a top plan view thereof.

1 Claim, 18 Drawing Sheets



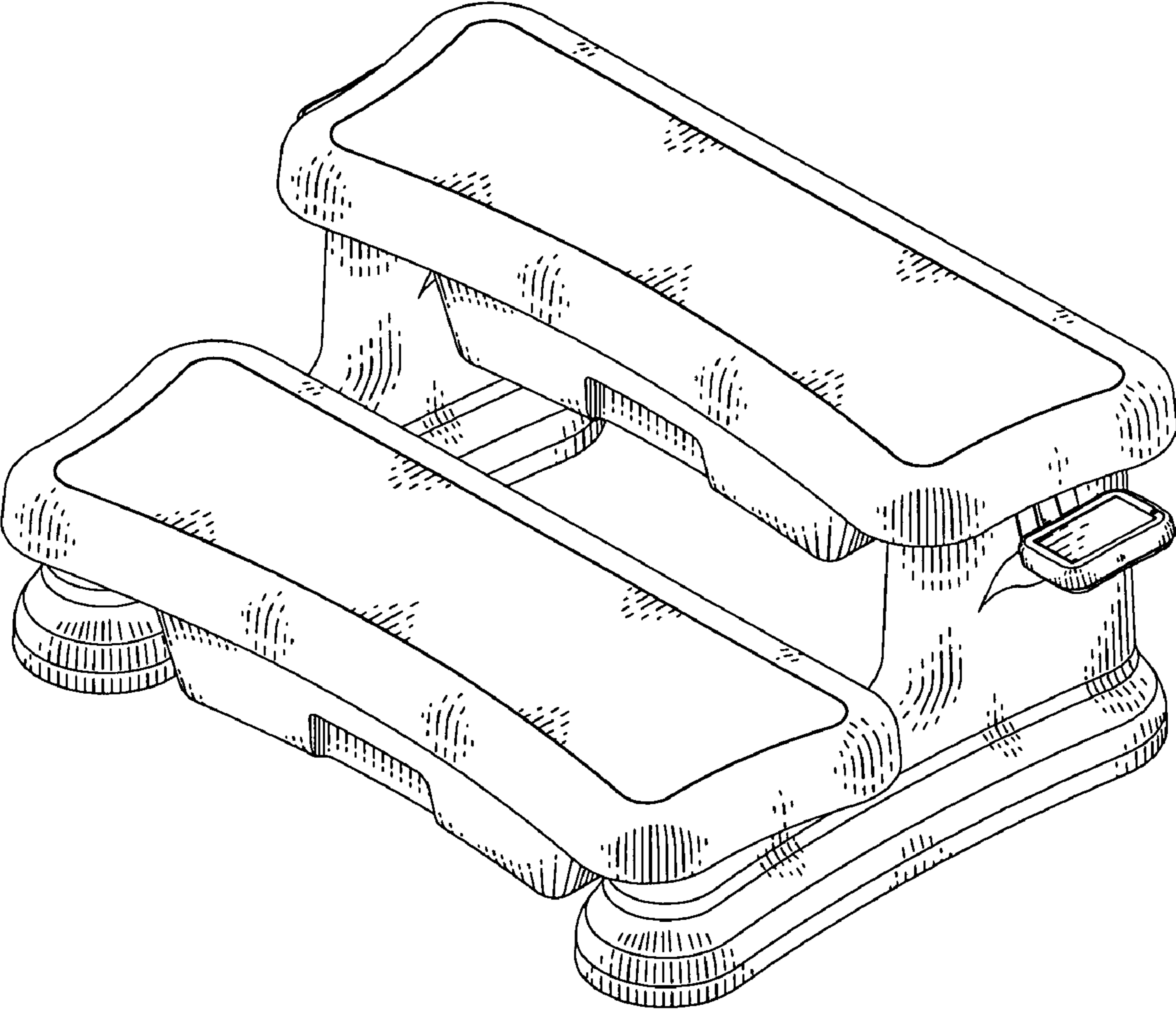


Fig. 1

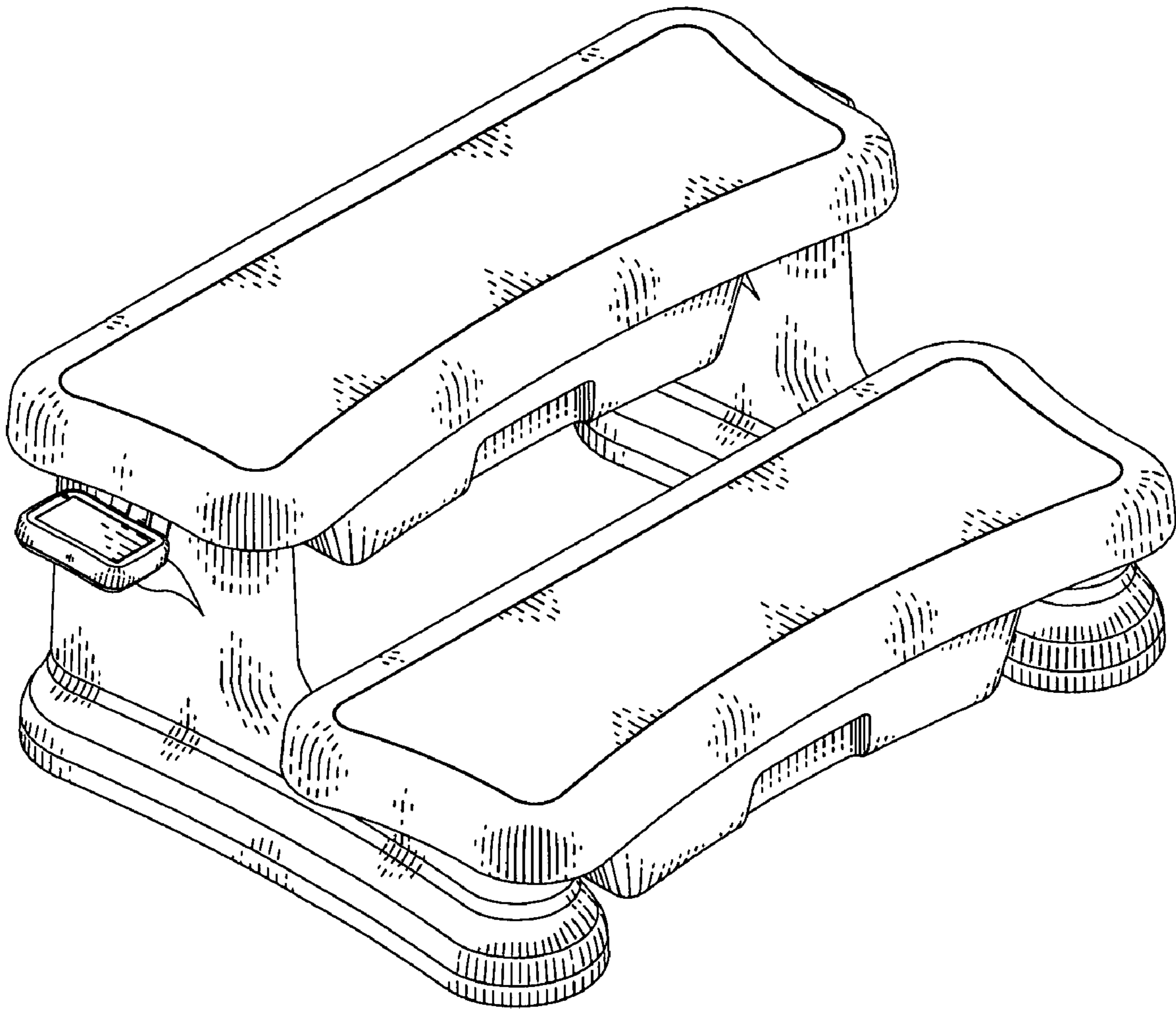


Fig. 2

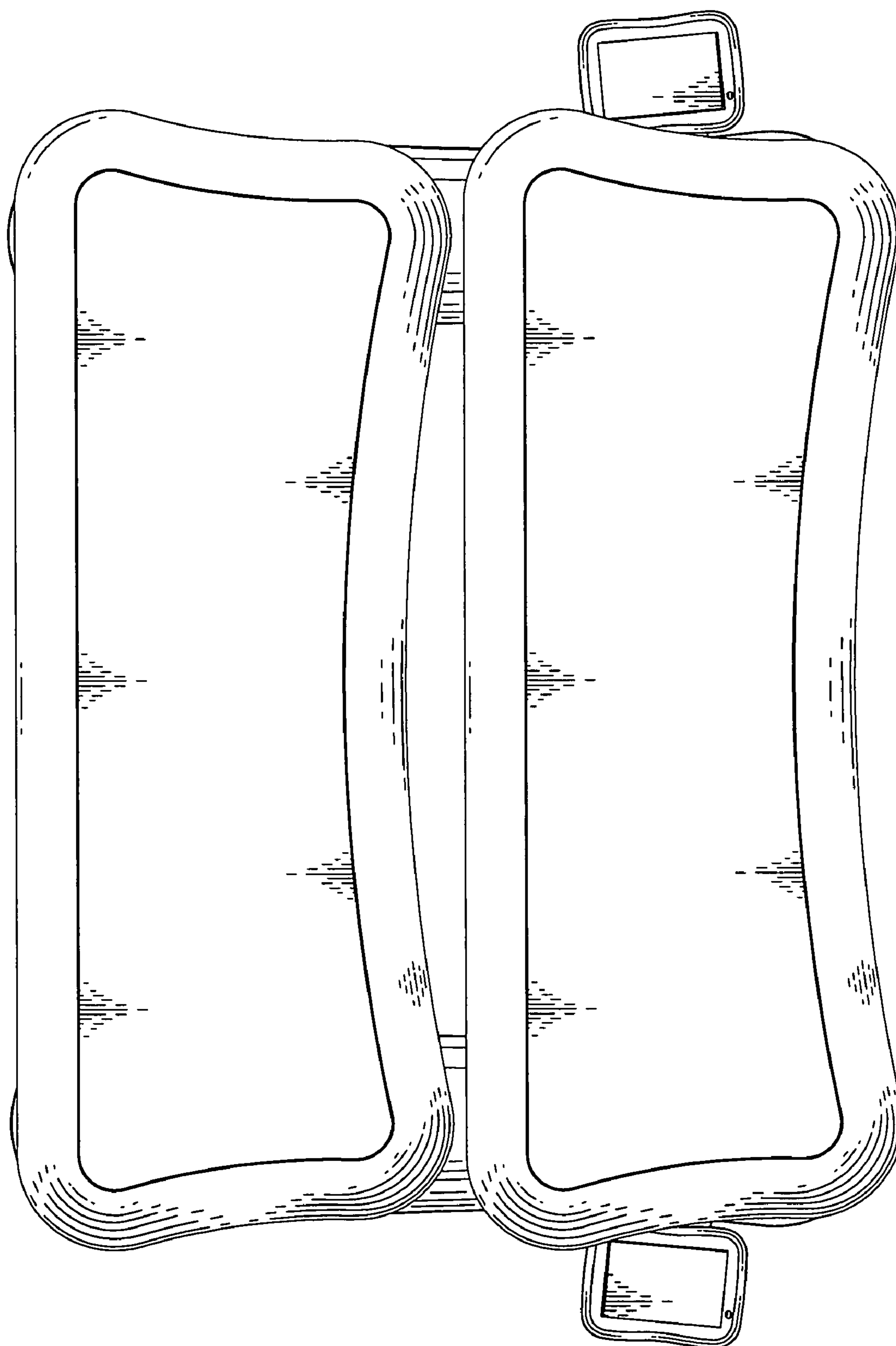


Fig. 3

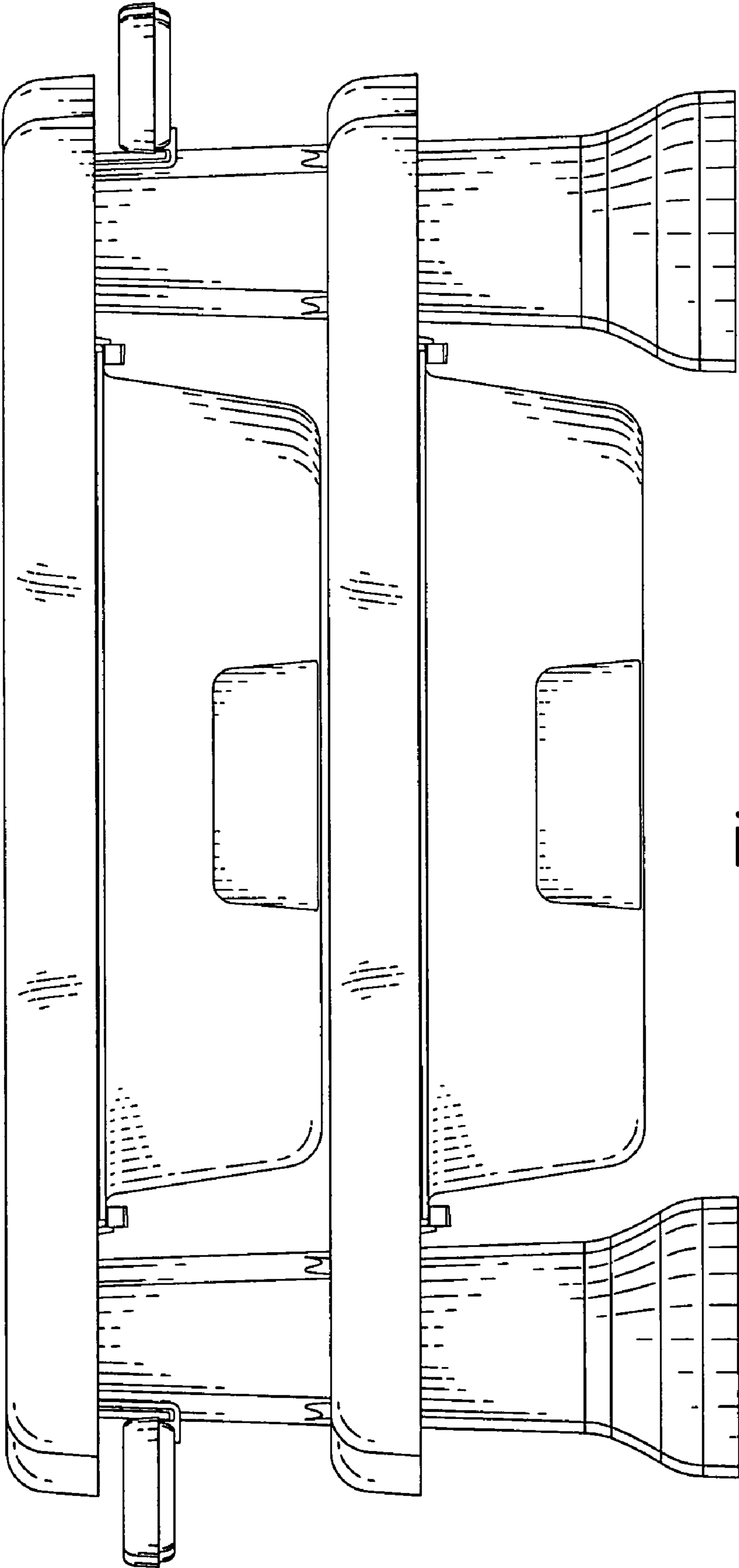


Fig. 4

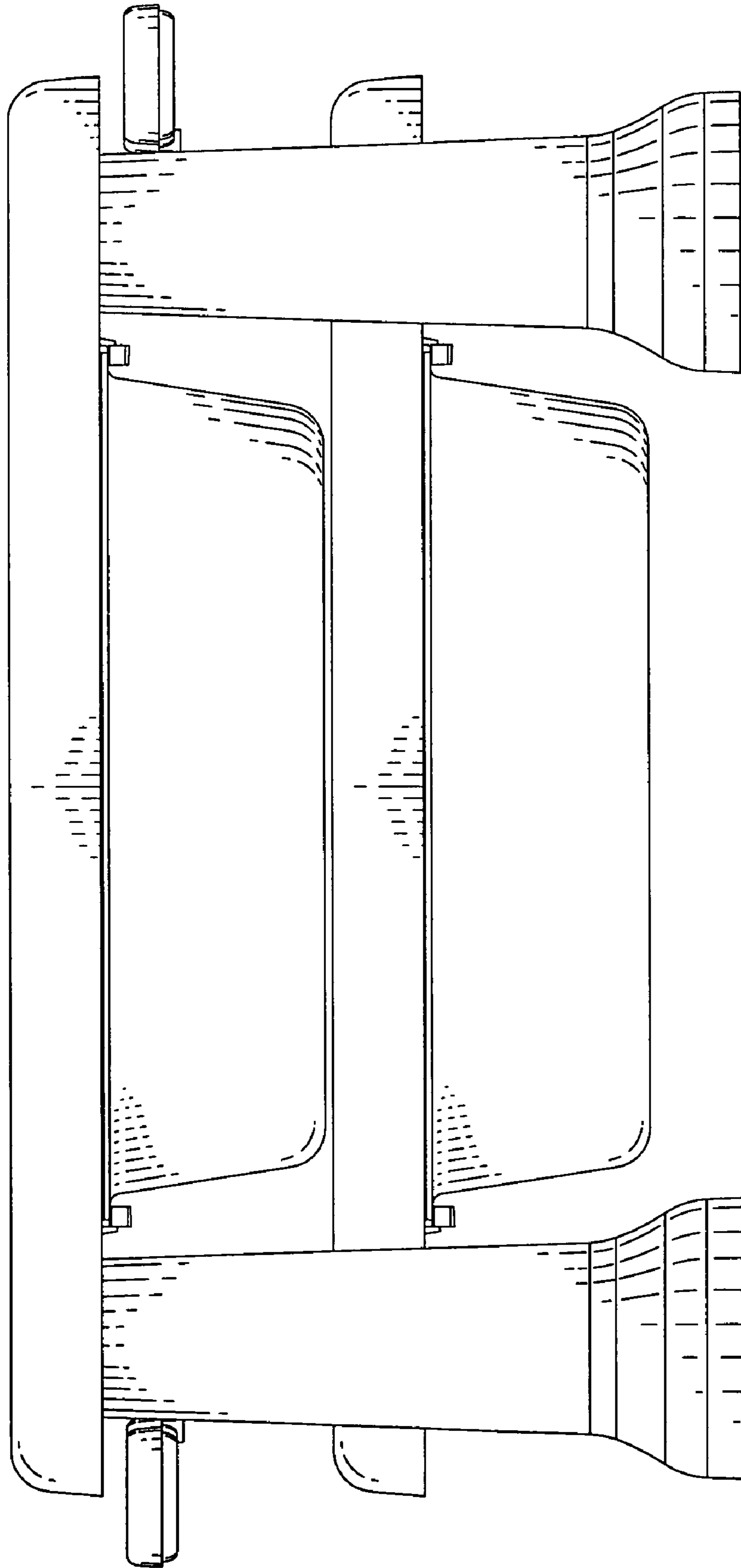


Fig. 5

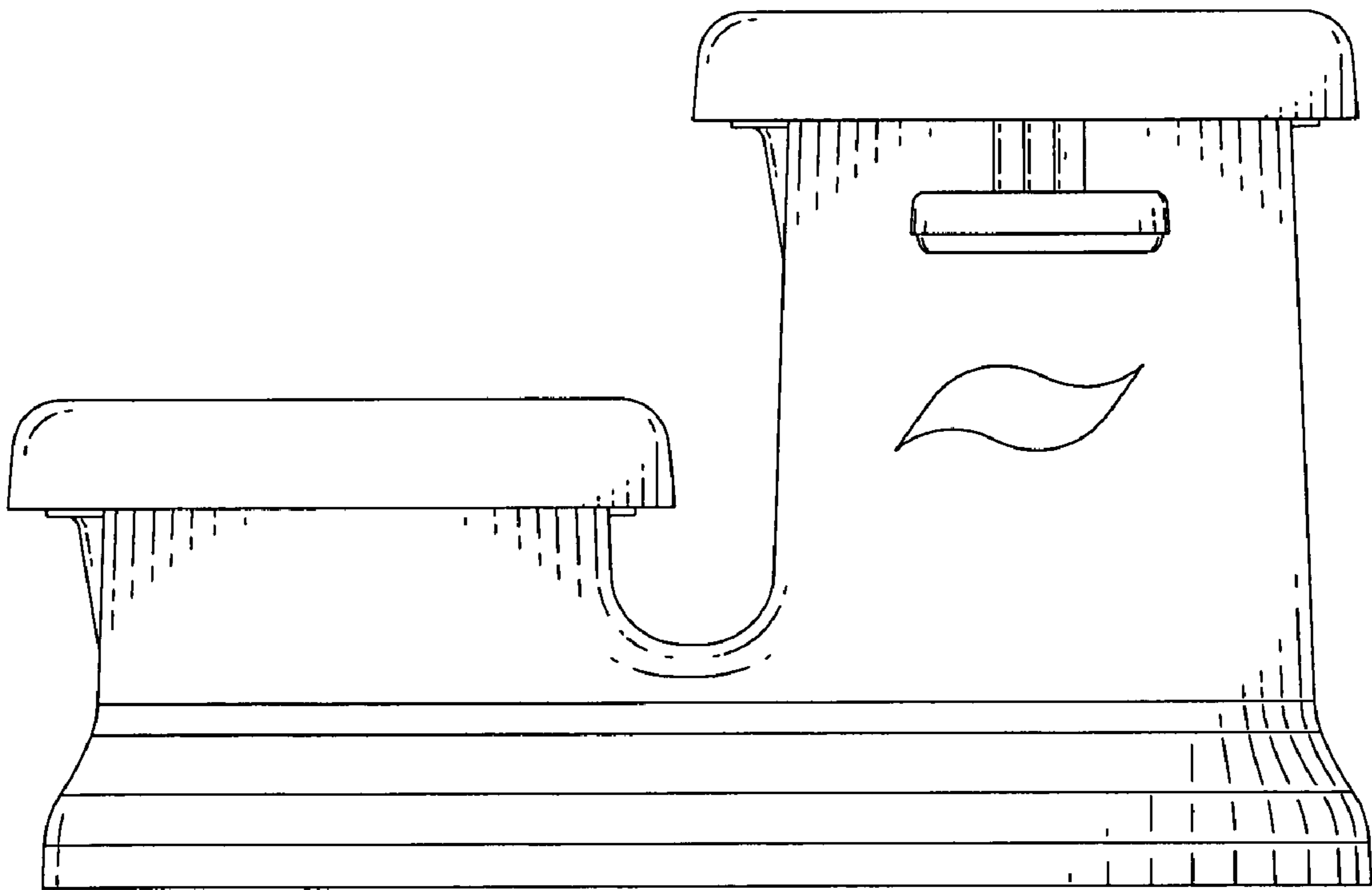


Fig. 6

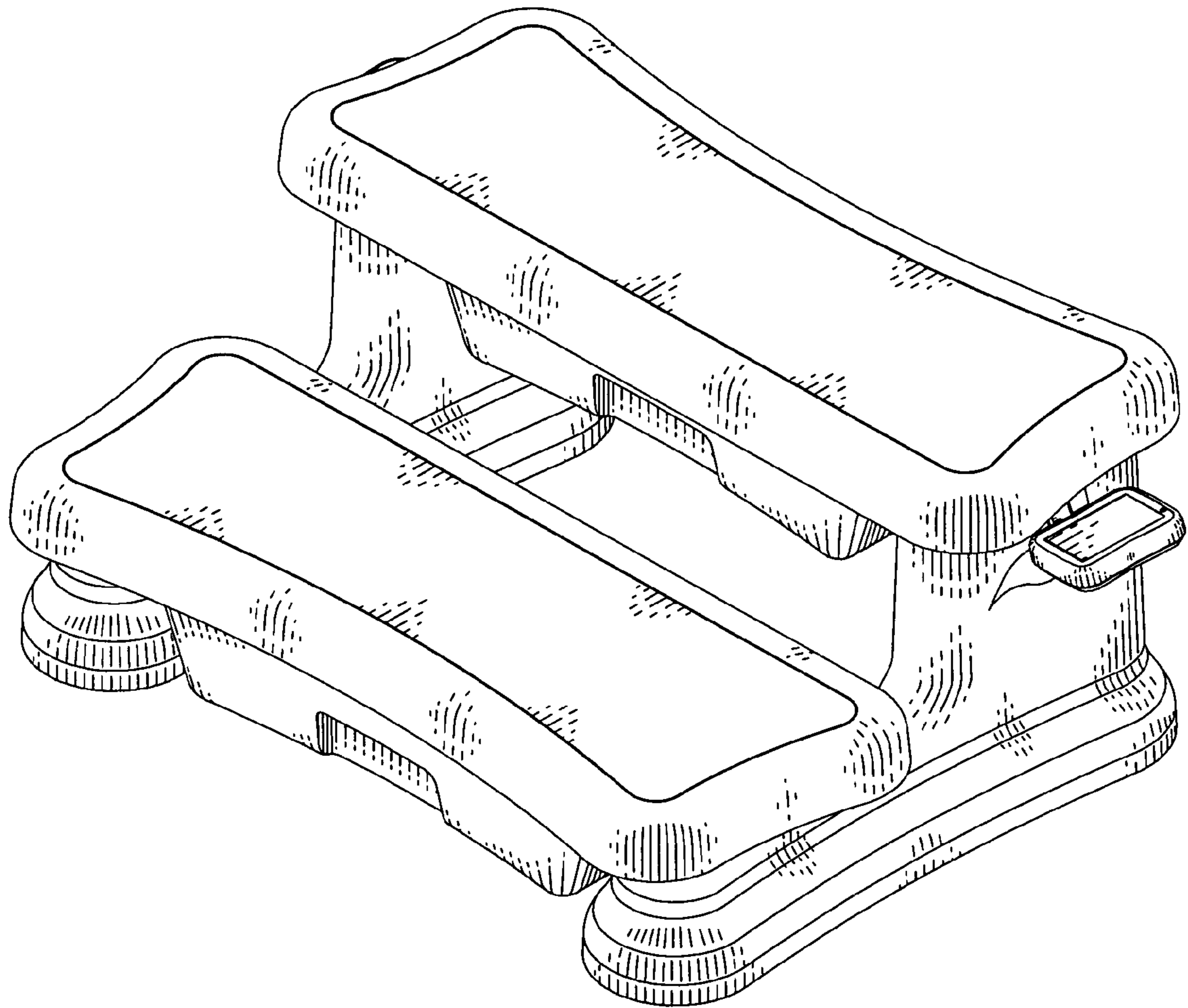


Fig. 7

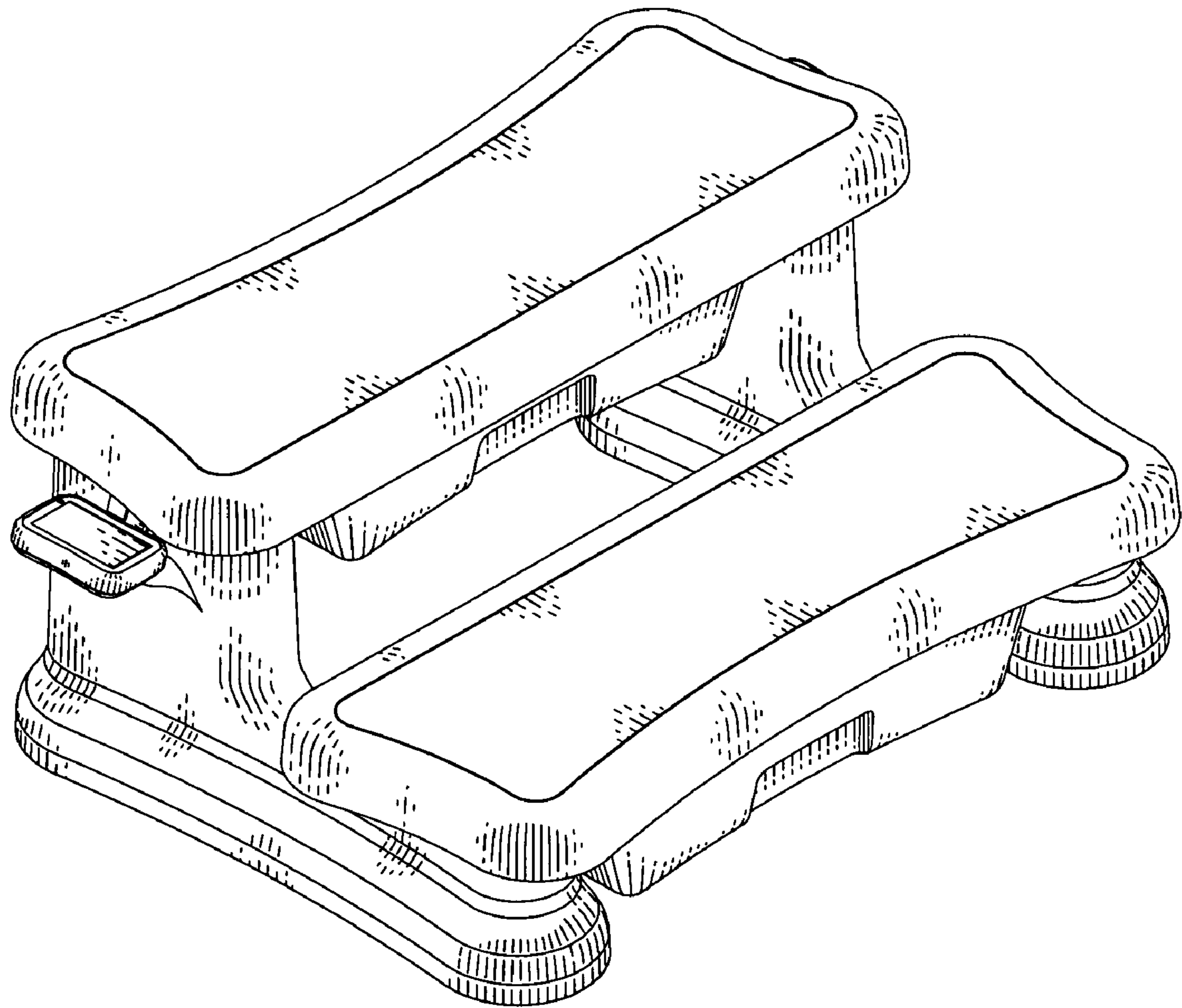


Fig. 8

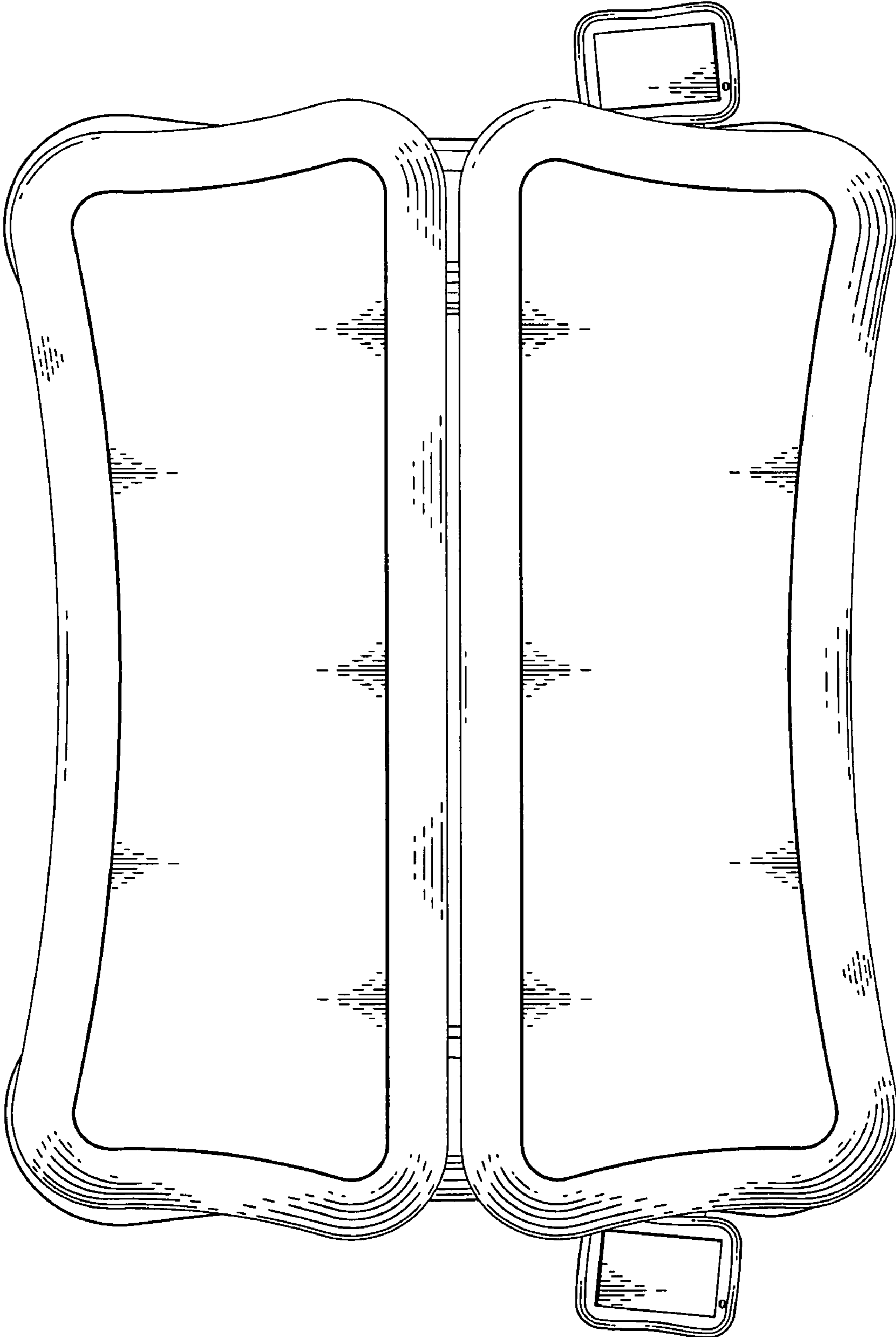


Fig. 9

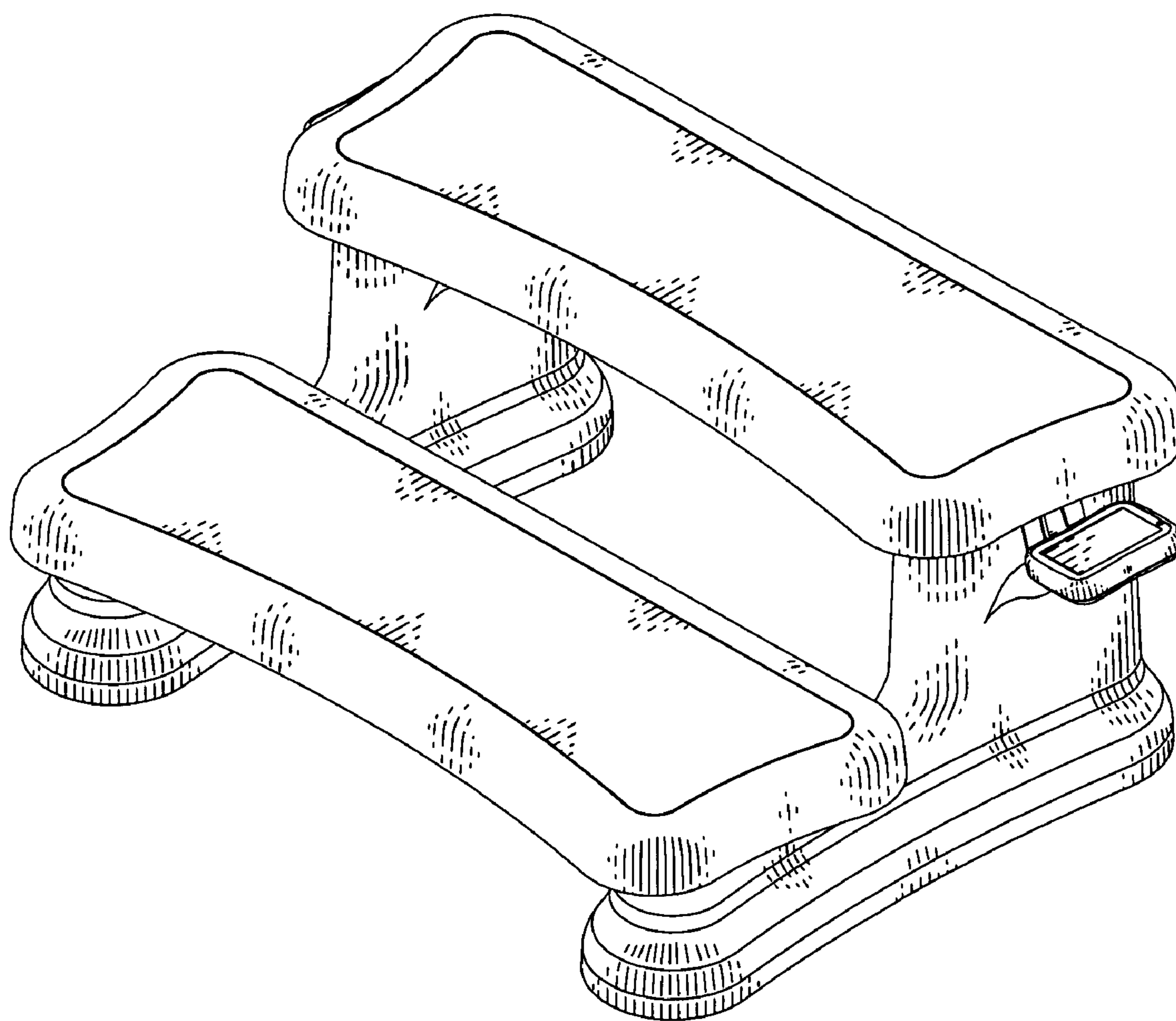


Fig. 10

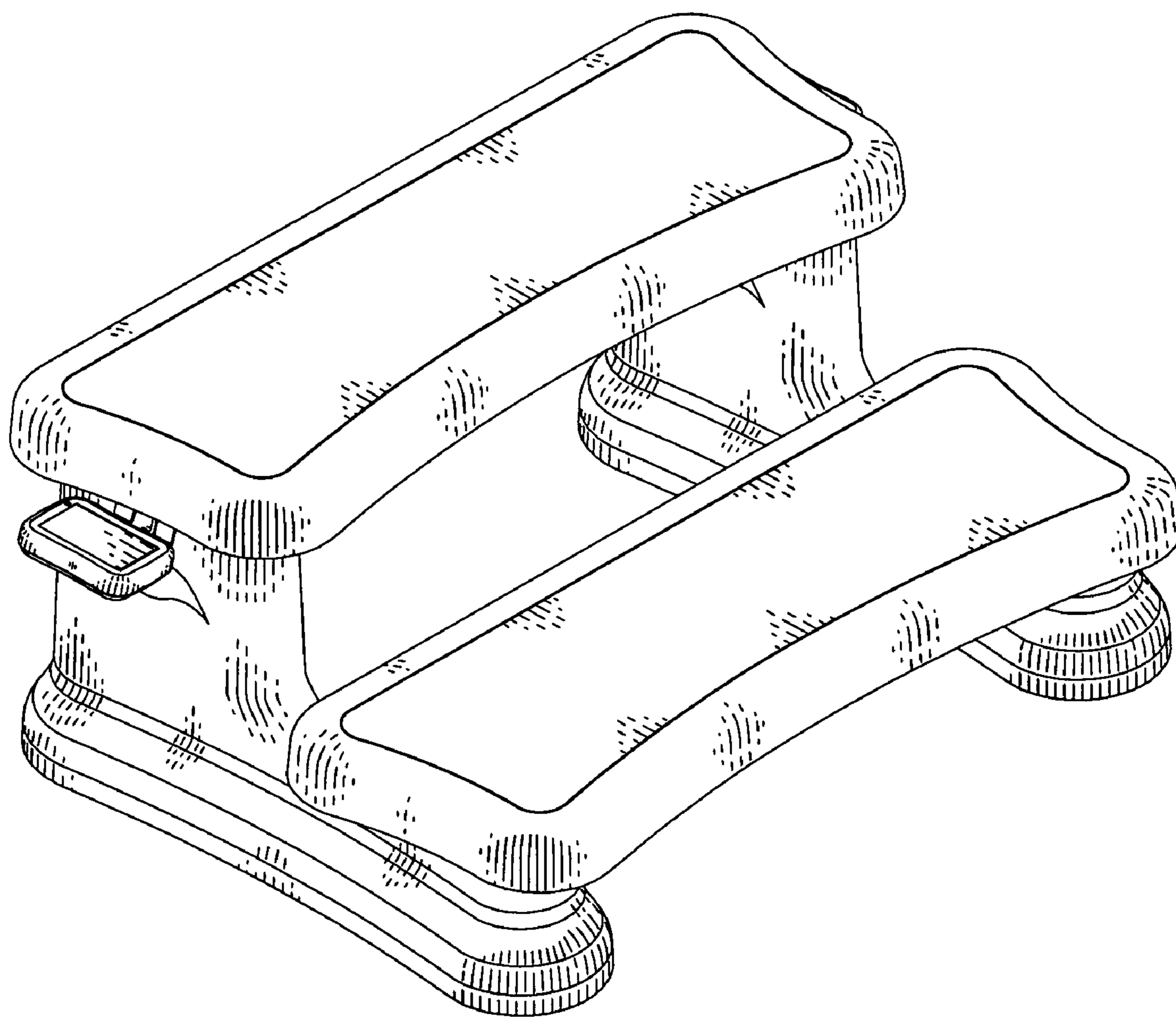


Fig. 11

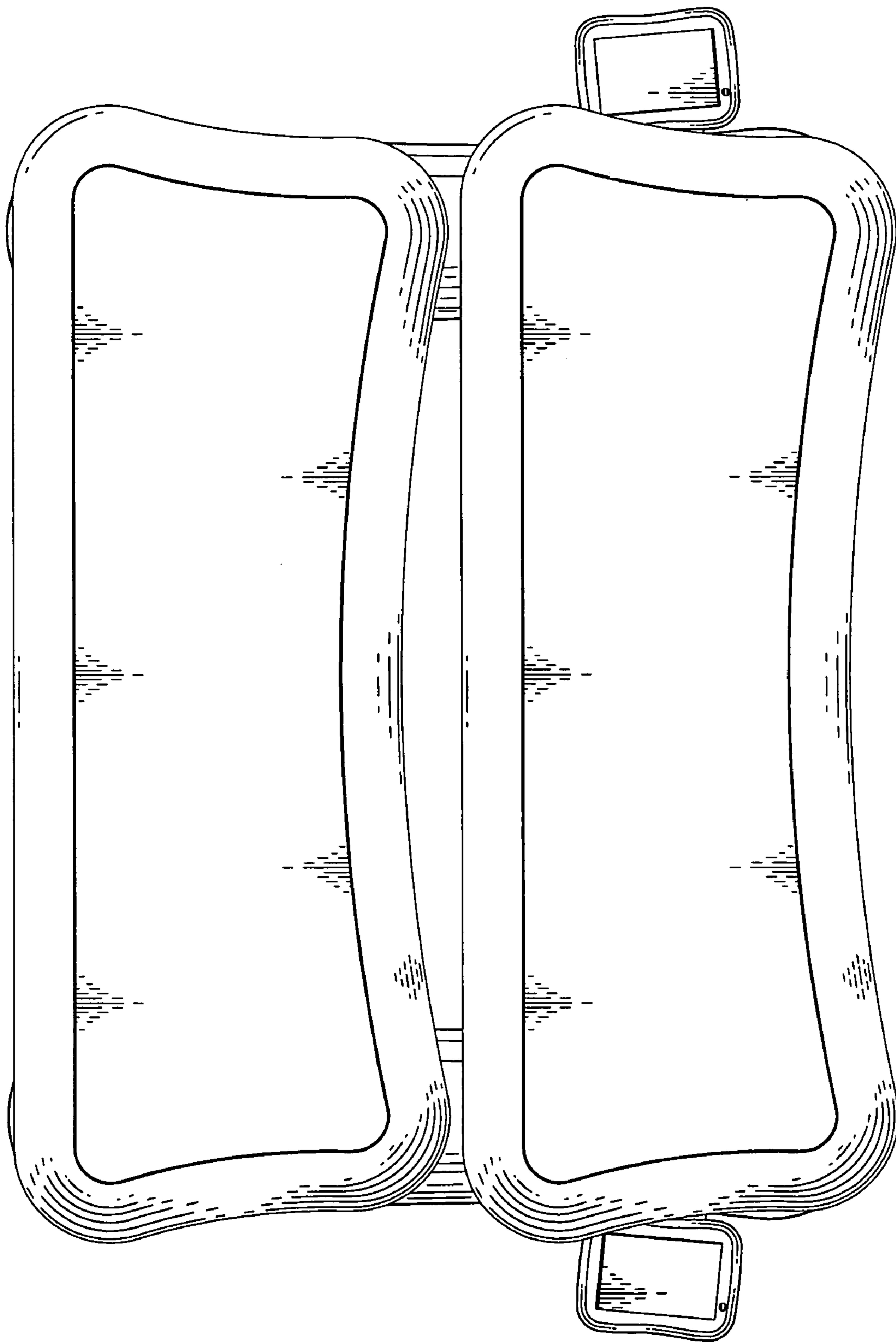


Fig. 12

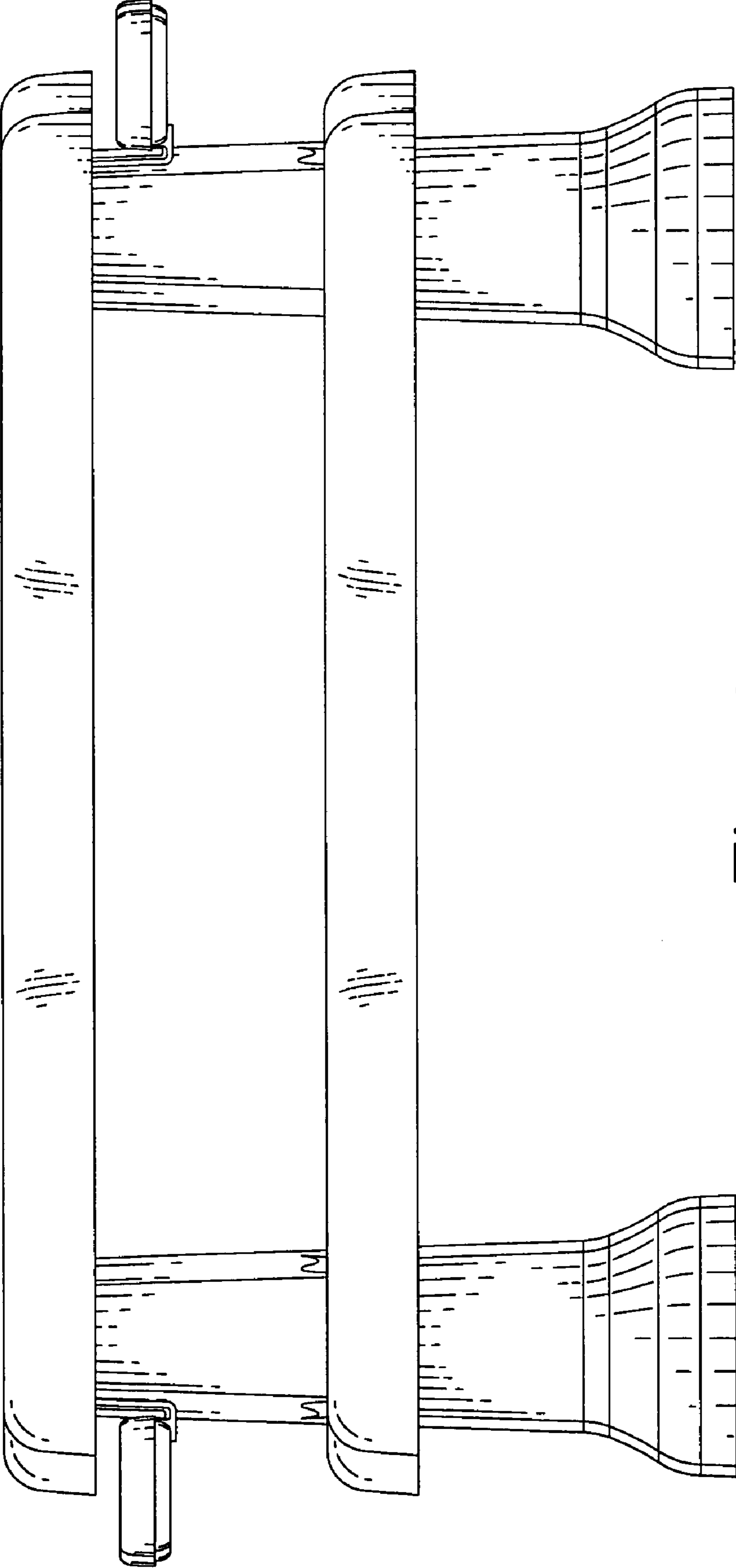


Fig. 13

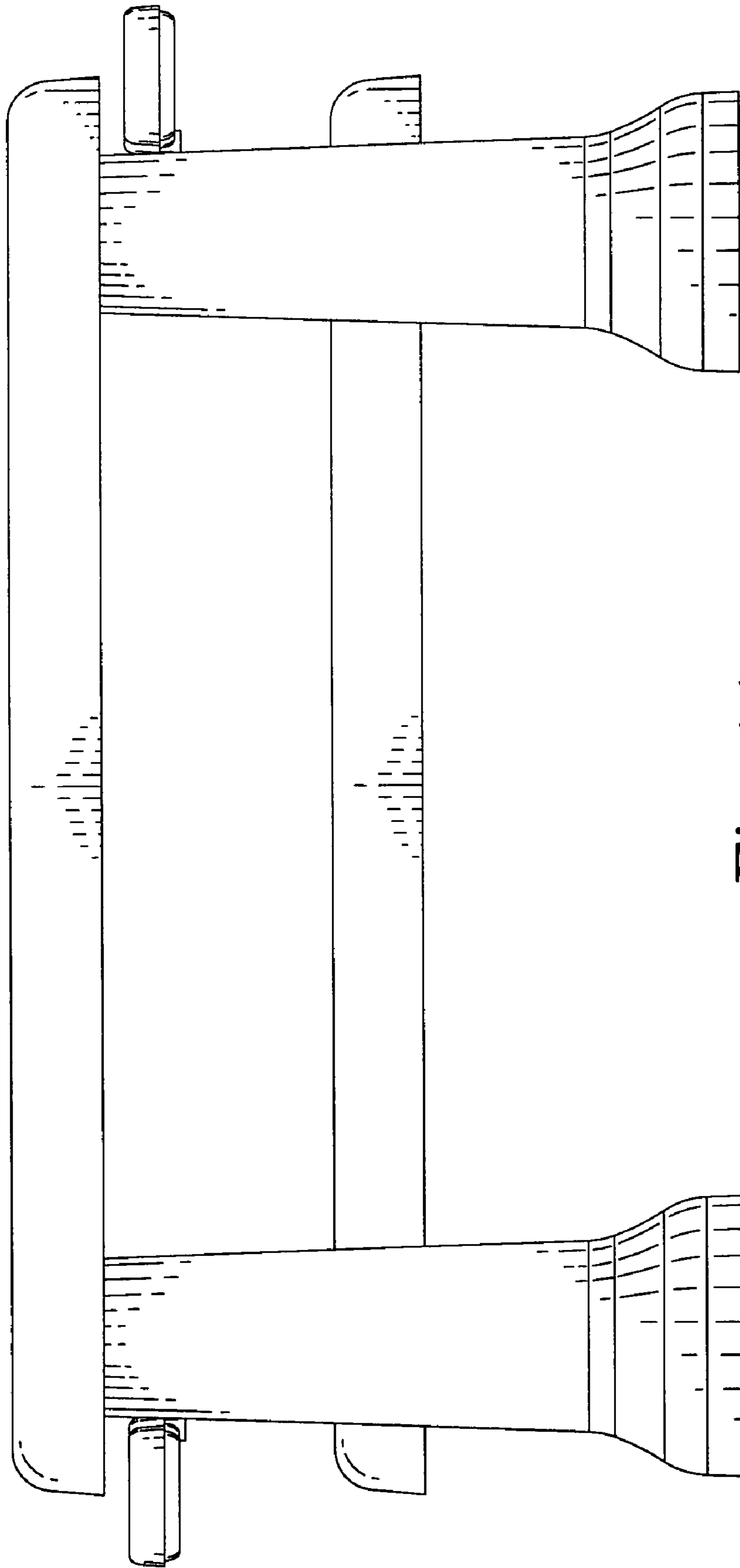


Fig. 14

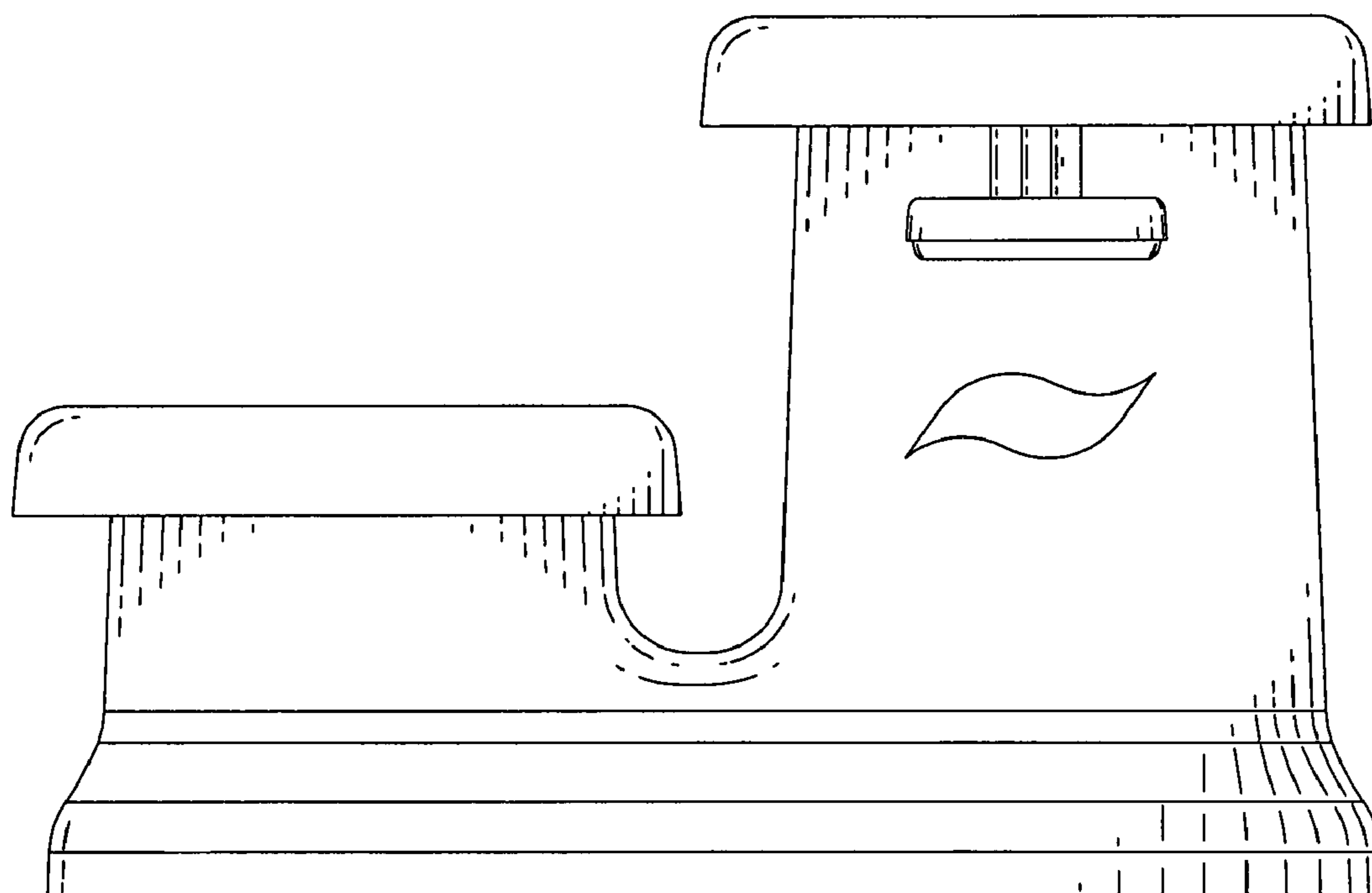


Fig. 15

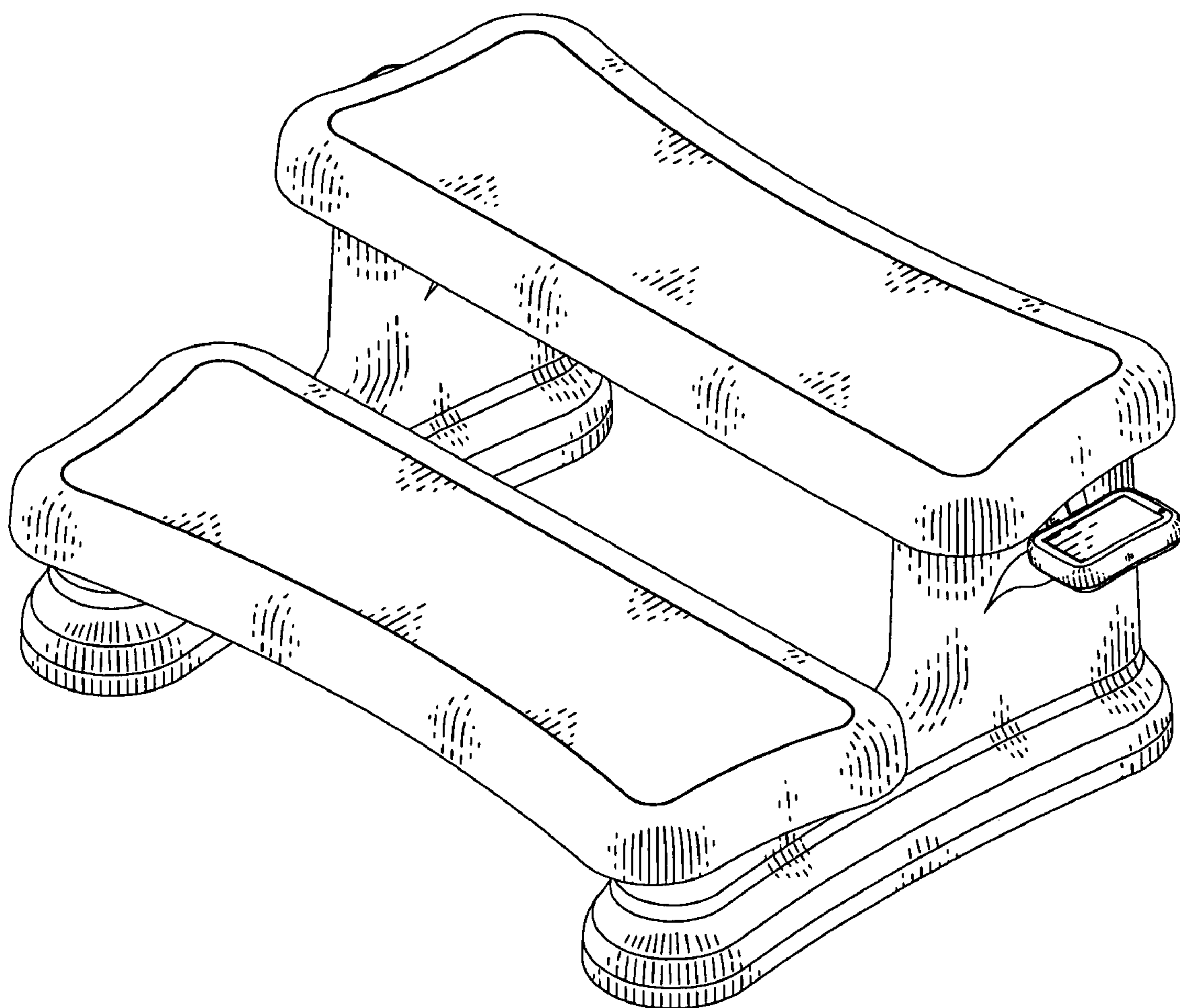


Fig. 16

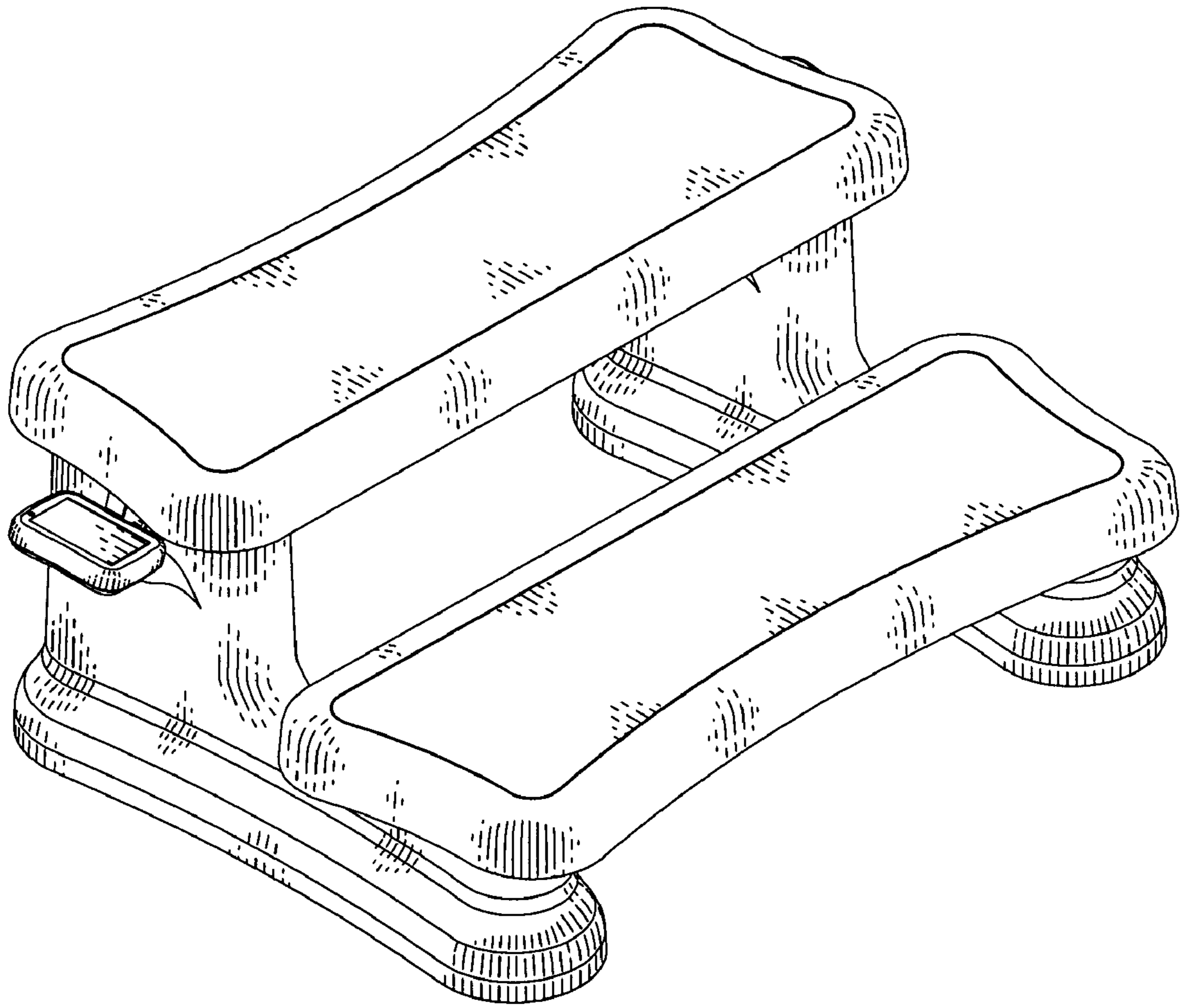


Fig. 17

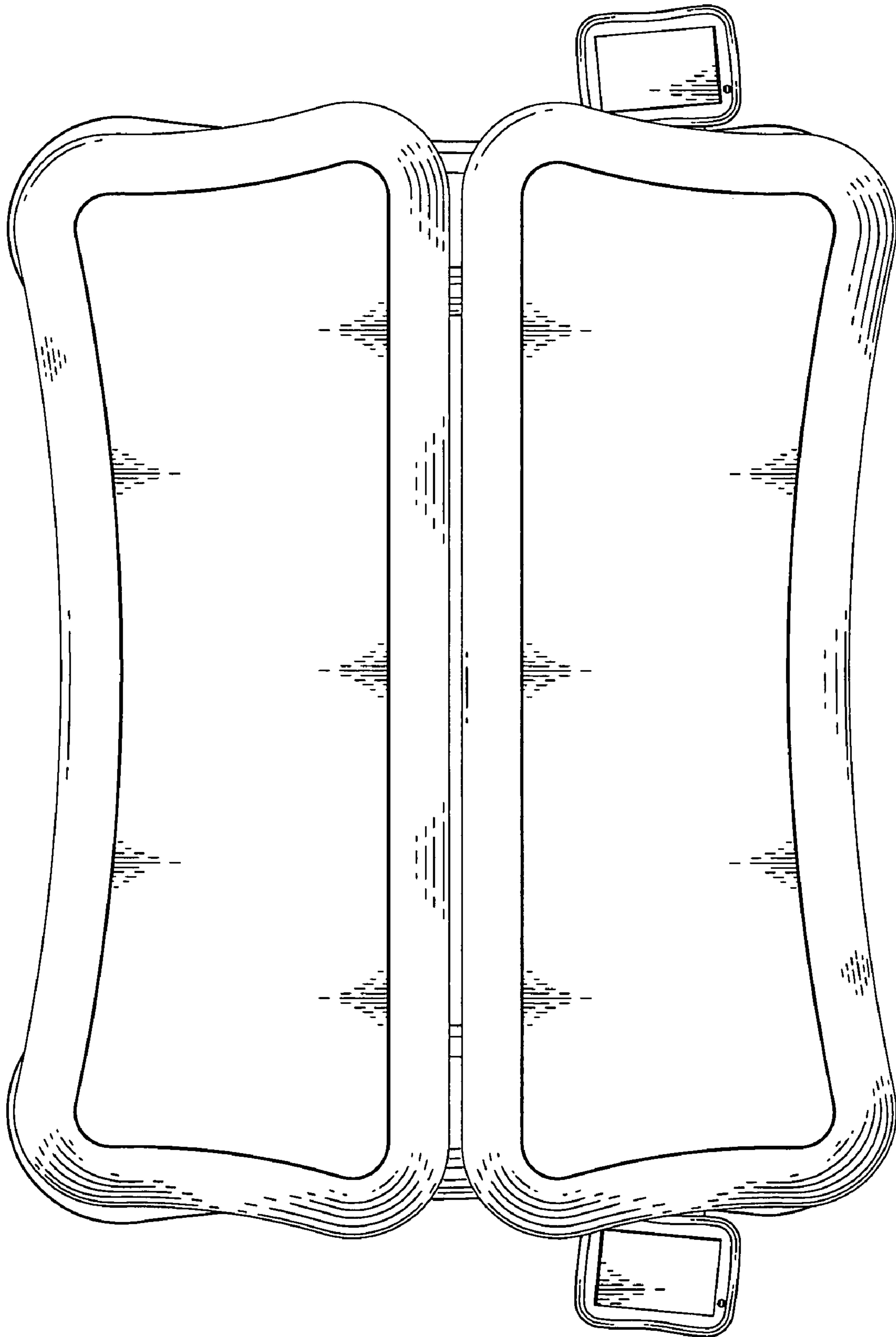


Fig. 18