



US00D597679S

(12) **United States Design Patent**
Shigesada et al.

(10) **Patent No.:** **US D597,679 S**

(45) **Date of Patent:** **** Aug. 4, 2009**

(54) **CAP OF CARTRIDGE FOR COMPONENT EXTRACTION**

(75) Inventors: **Keiji Shigesada**, Odawara (JP); **Morio Fujiwara**, Odawara (JP); **Takuji Yamada**, Odawara (JP); **Katsuya Inana**, Ashigarakami-gun (JP)

(73) Assignee: **FUJIFILM Corporation**, Tokyo (JP)

(**) Term: **14 Years**

(21) Appl. No.: **29/306,285**

(22) Filed: **Apr. 4, 2008**

Related U.S. Application Data

(62) Division of application No. 29/274,081, filed on Mar. 28, 2007, now Pat. No. Des. 580,558.

(30) **Foreign Application Priority Data**

Sep. 29, 2006 (JP) 2006-026526

Sep. 29, 2006 (JP) 2006-026527

(51) **LOC (9) Cl.** **24-02**

(52) **U.S. Cl.** **D24/216**

(58) **Field of Classification Search** D24/216–226, D24/232; D10/81; 422/102, 101; 210/282, 210/455, 497.01; D7/400; D23/209
See application file for complete search history.

(56) **References Cited**

U.S. PATENT DOCUMENTS

3,295,686	A	1/1967	Krueger	
D332,891	S *	2/1993	Cumberland	D7/619.1
D369,850	S *	5/1996	Cammack et al.	D23/209
D407,491	S *	3/1999	Rocha	D24/162
D412,551	S *	8/1999	Smith et al.	D23/209
D431,299	S *	9/2000	Lammie	D24/224
D444,568	S *	7/2001	Conway	D24/224
D562,462	S *	2/2008	Muir et al.	D24/224
2006/0065587	A1	3/2006	Shigesada et al.	

FOREIGN PATENT DOCUMENTS

JP	2006-95499	A	4/2006
JP	2006-102566	A	4/2006
WO	WO 2005-037413	A1	4/2005

WO	WO 2005-037983	A1	4/2005
WO	WO 2006-038344	A1	4/2006
WO	WO 2006-038345	A2	4/2006

* cited by examiner

Primary Examiner—T. Chase Nelson

Assistant Examiner—Anhdao Doan

(74) *Attorney, Agent, or Firm*—Sughrue Mion, PLLC

(57) **CLAIM**

The ornamental design for a cap of cartridge for component extraction, as shown and described.

DESCRIPTION

FIG. 1 is a perspective view of the top, front and right side of the cap of cartridge for component extraction;

FIG. 2 is a front elevational view thereof;

FIG. 3 is a rear elevational view thereof;

FIG. 4 is a top plan view thereof;

FIG. 5 is a bottom plan view thereof;

FIG. 6 is a right side elevational view thereof;

FIG. 7 is a left side elevational view thereof;

FIG. 8 is a cross-sectional view thereof at 8—8 in FIG. 3;

FIG. 9 is a cross-sectional view thereof at 9—9 in FIG. 3;

FIG. 10 is a cross-sectional view thereof at 10—10 in FIG. 3;

FIG. 11 is a front elevational view thereof with the circular filter element seen in FIGS. 2, 8, 9, 10, and 13 removed in order to depict the inner structure of the cap of cartridge for component extraction;

FIG. 12 is a cross sectional view along line 12—12 of FIG. 4, with the circular filter element removed as in FIG. 11; and,

FIG. 13 is an exploded perspective view thereof showing the circular filter element and remaining portion of the cap of cartridge for component extraction separated.

The portions shown in broken lines are for environmental purposes only and form no part of the claimed design.

1 Claim, 7 Drawing Sheets

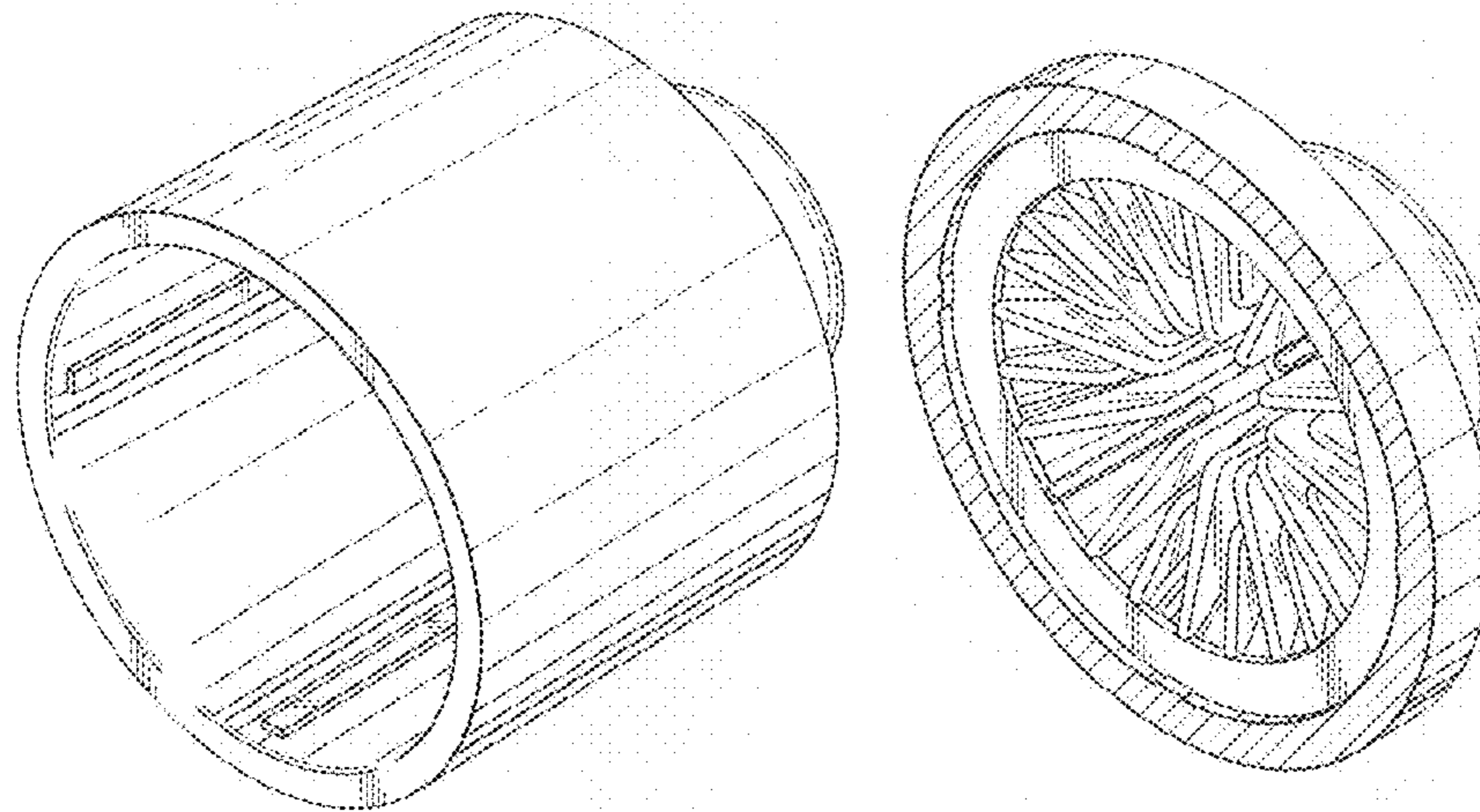


FIG. 1

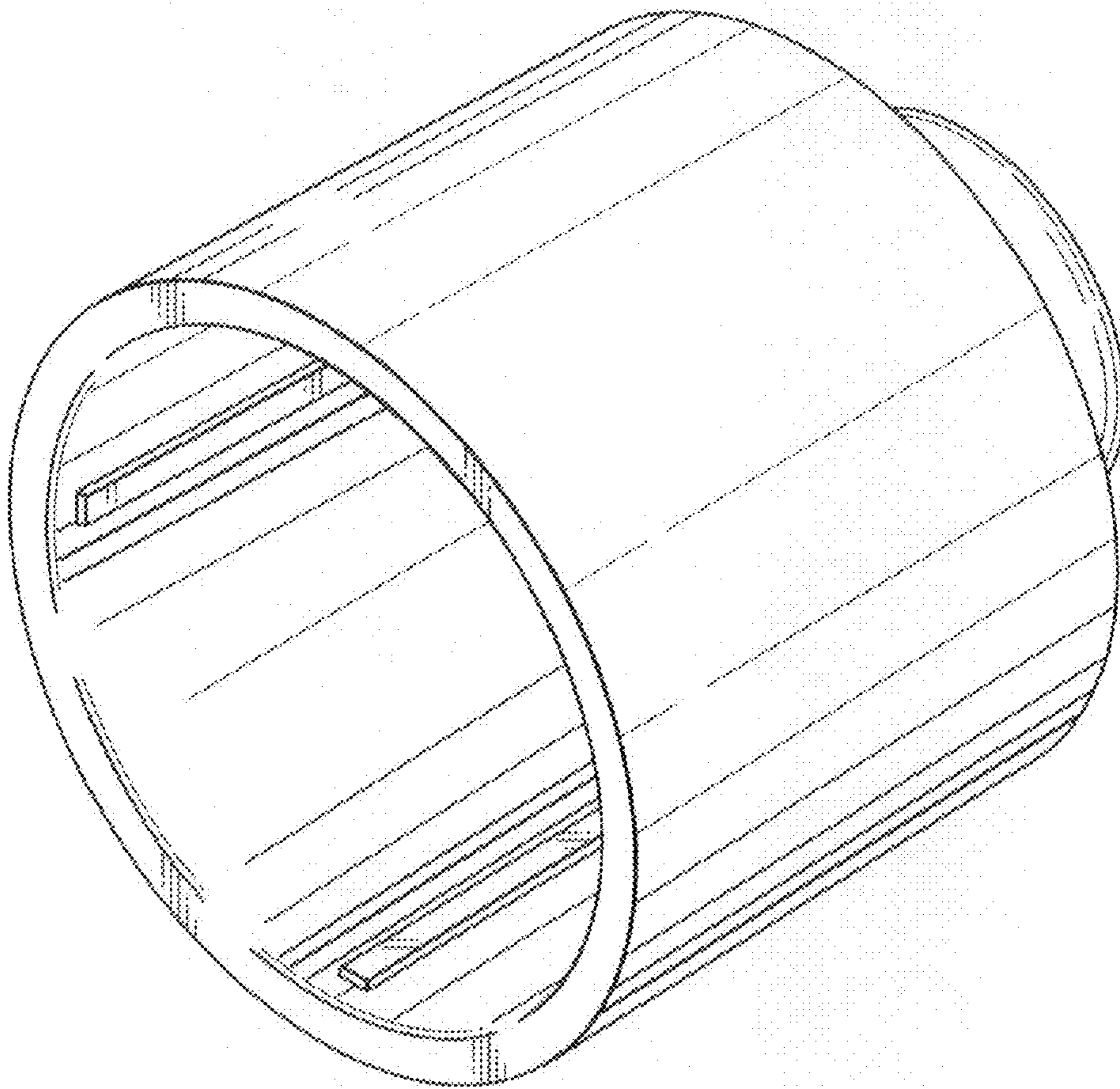


FIG.2

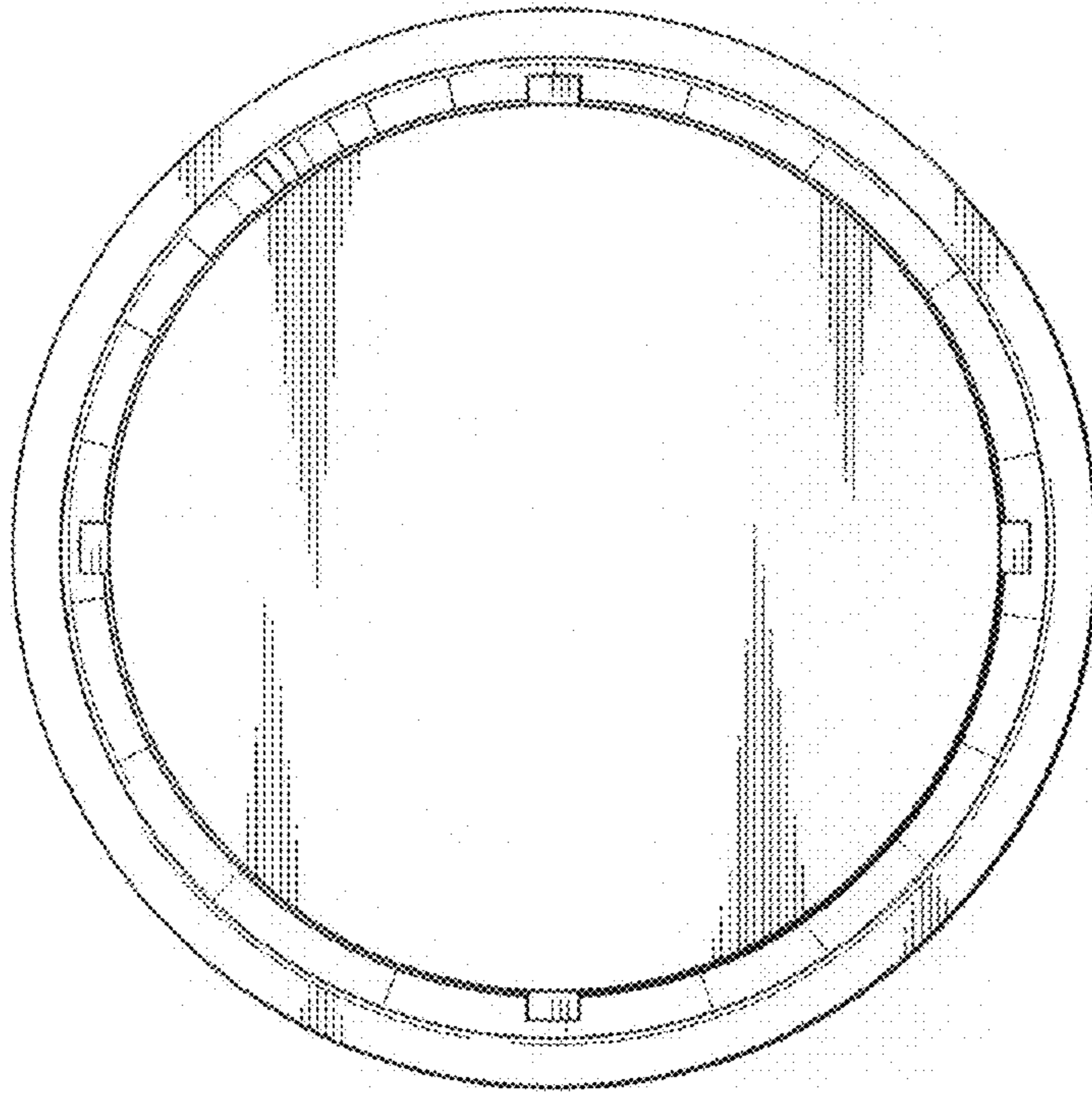


FIG.3

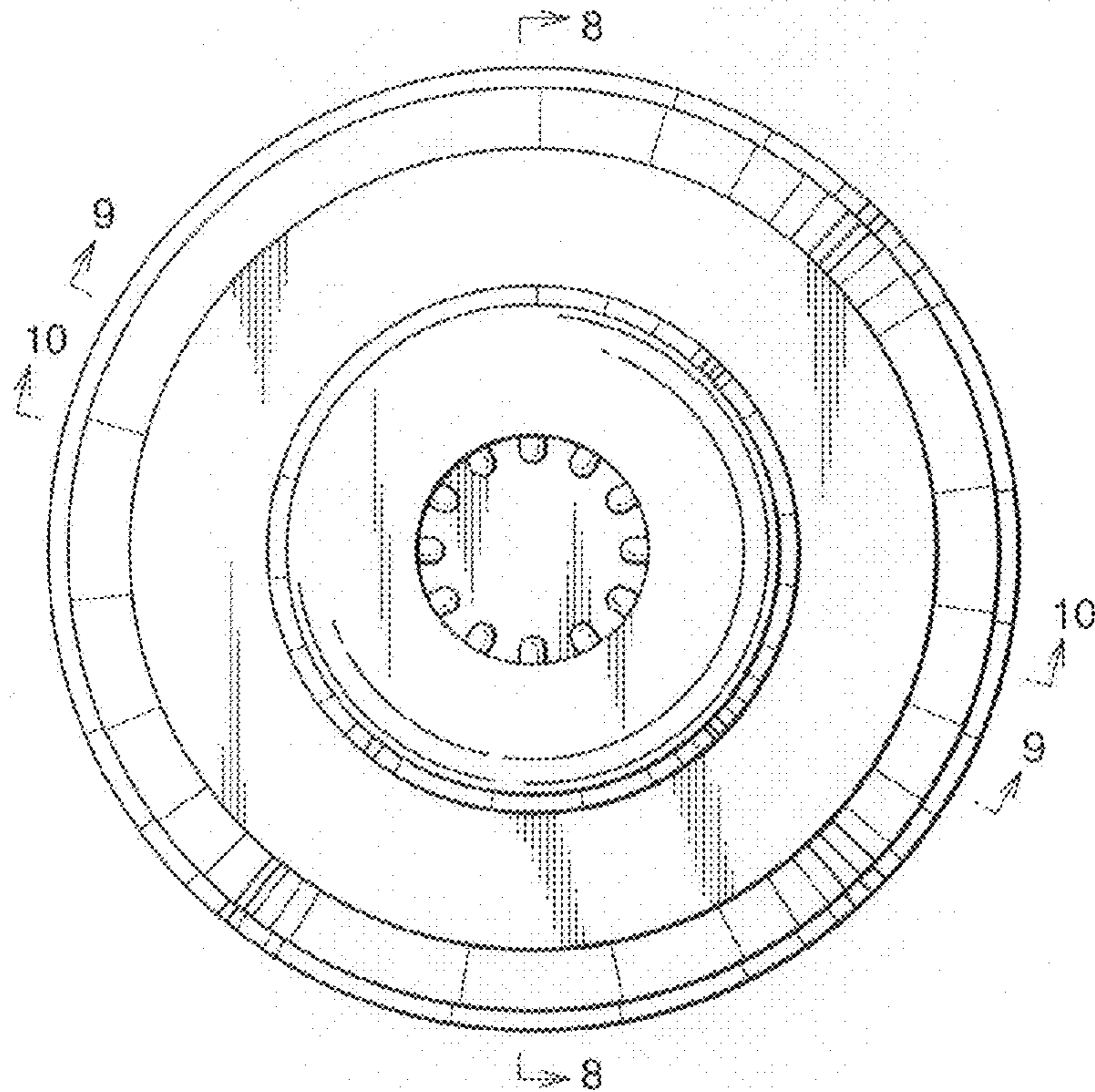


FIG. 4

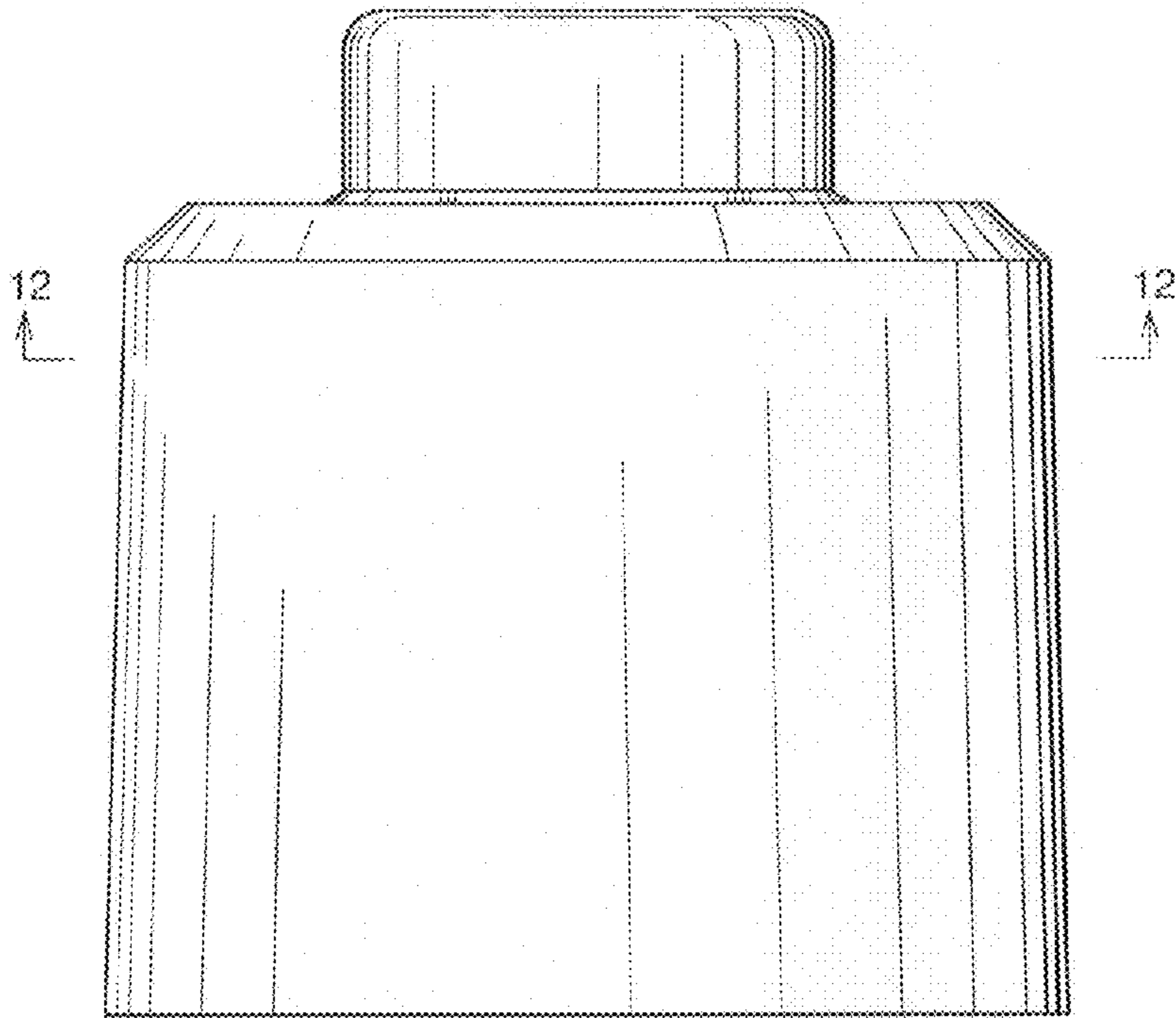


FIG. 5

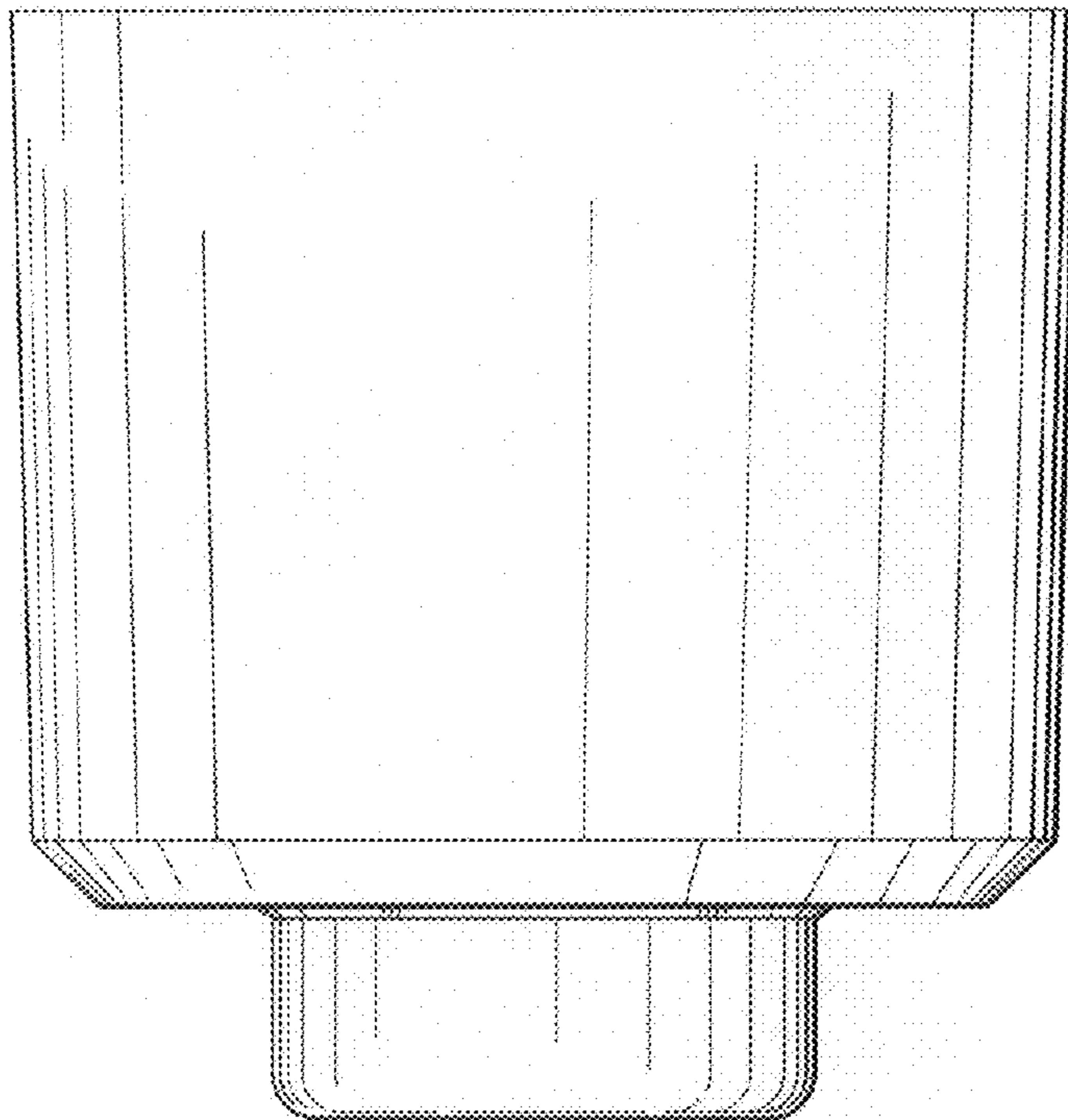


FIG. 6

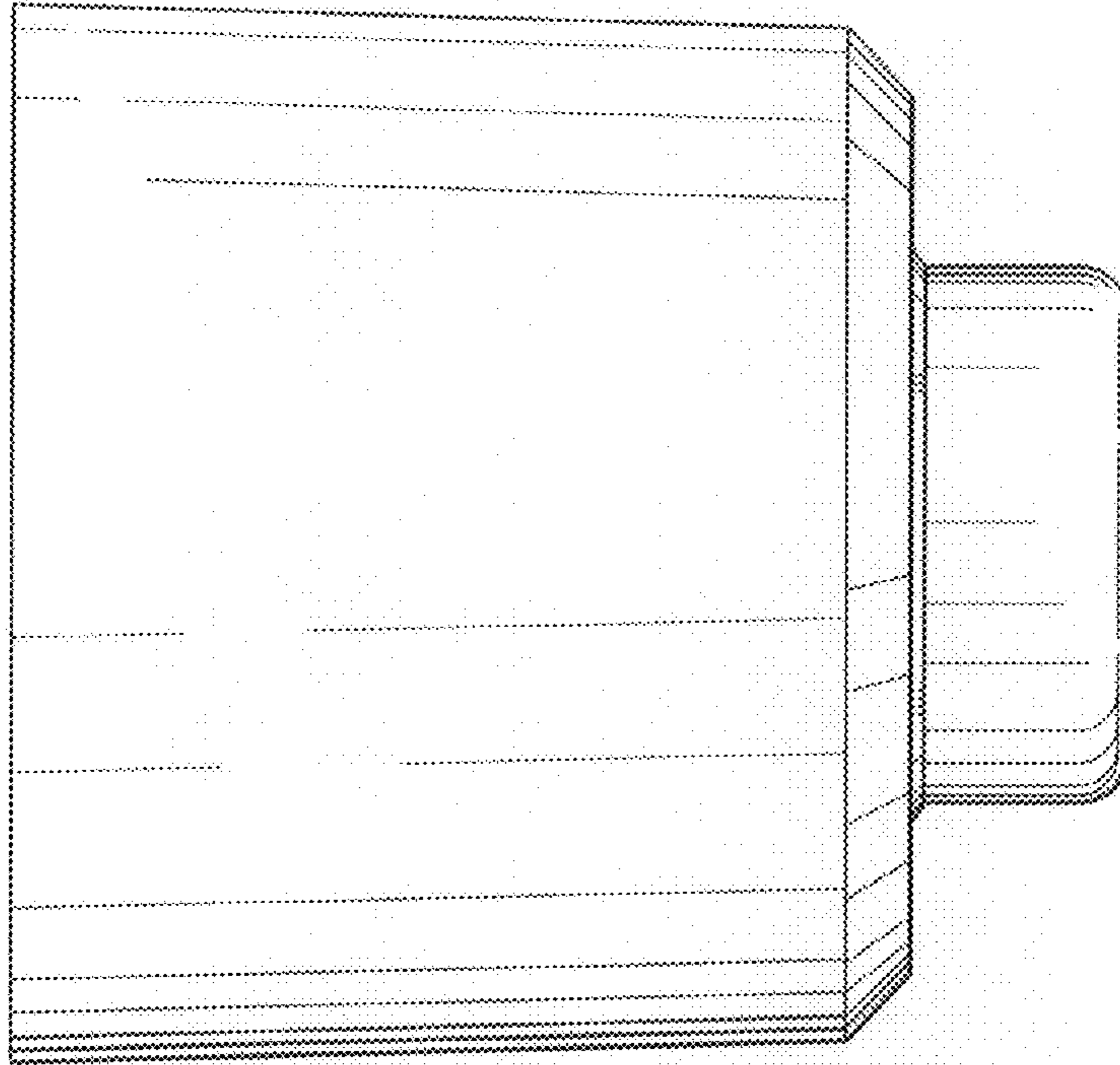


FIG. 7

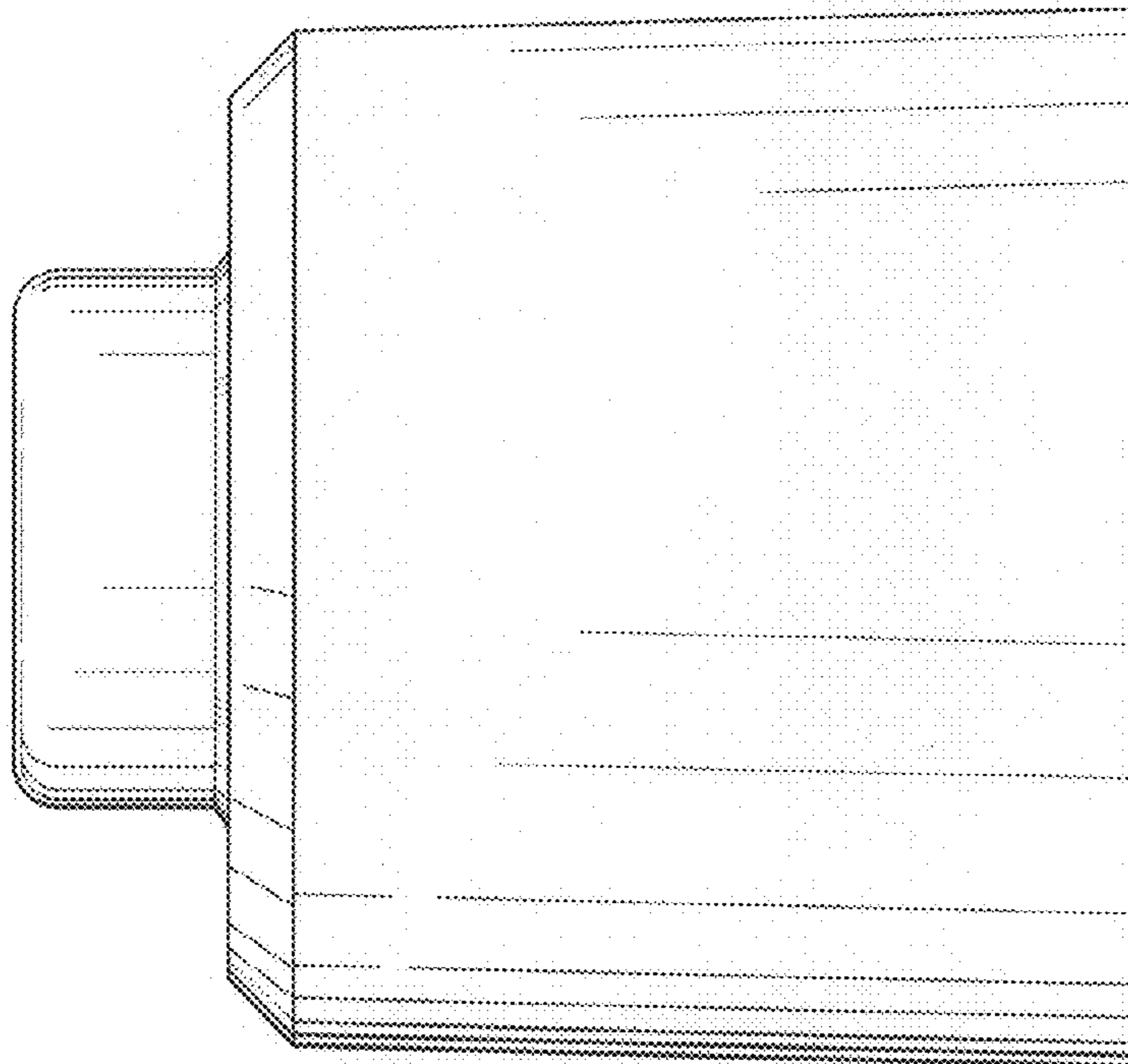


FIG.8

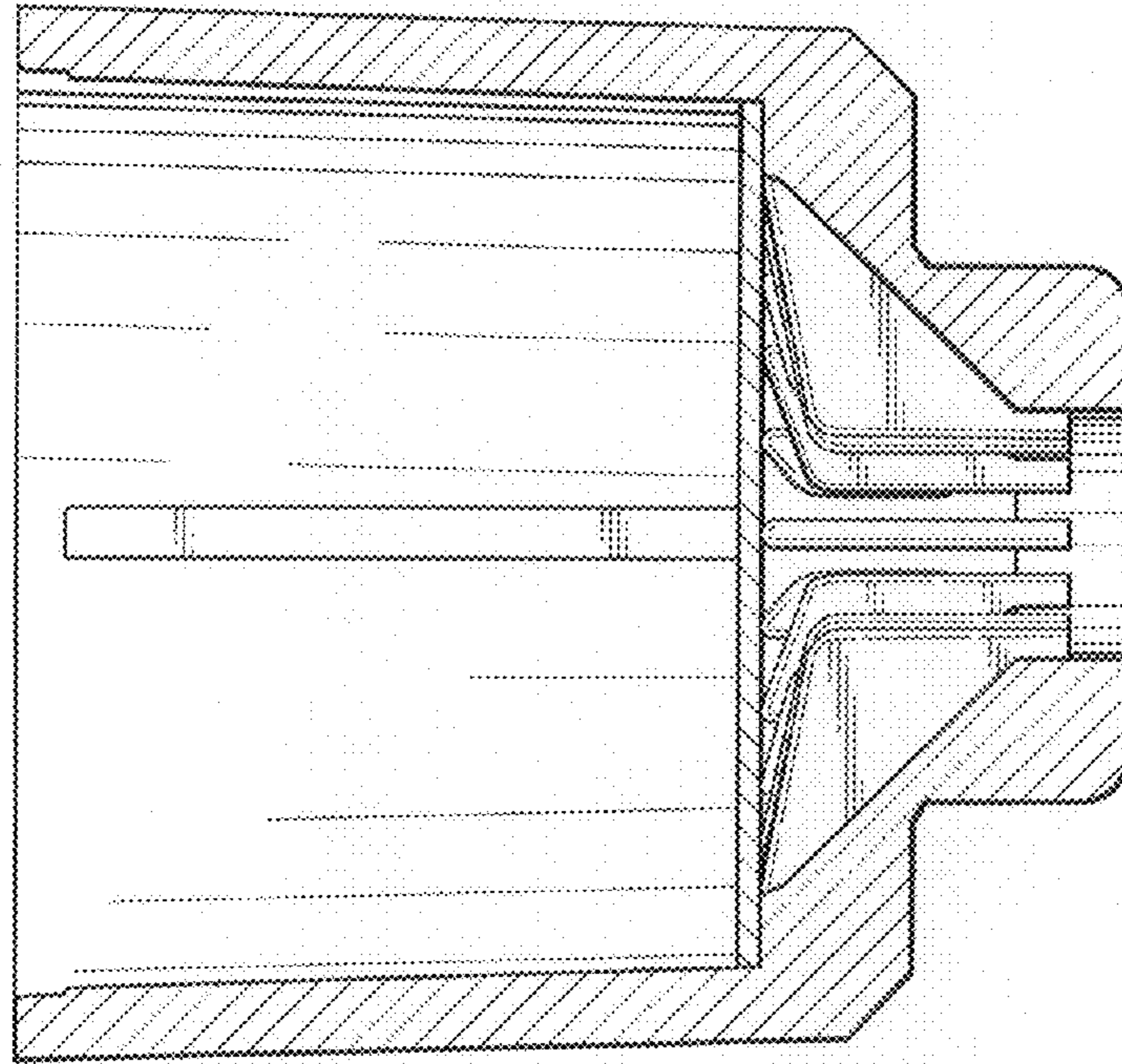


FIG.9

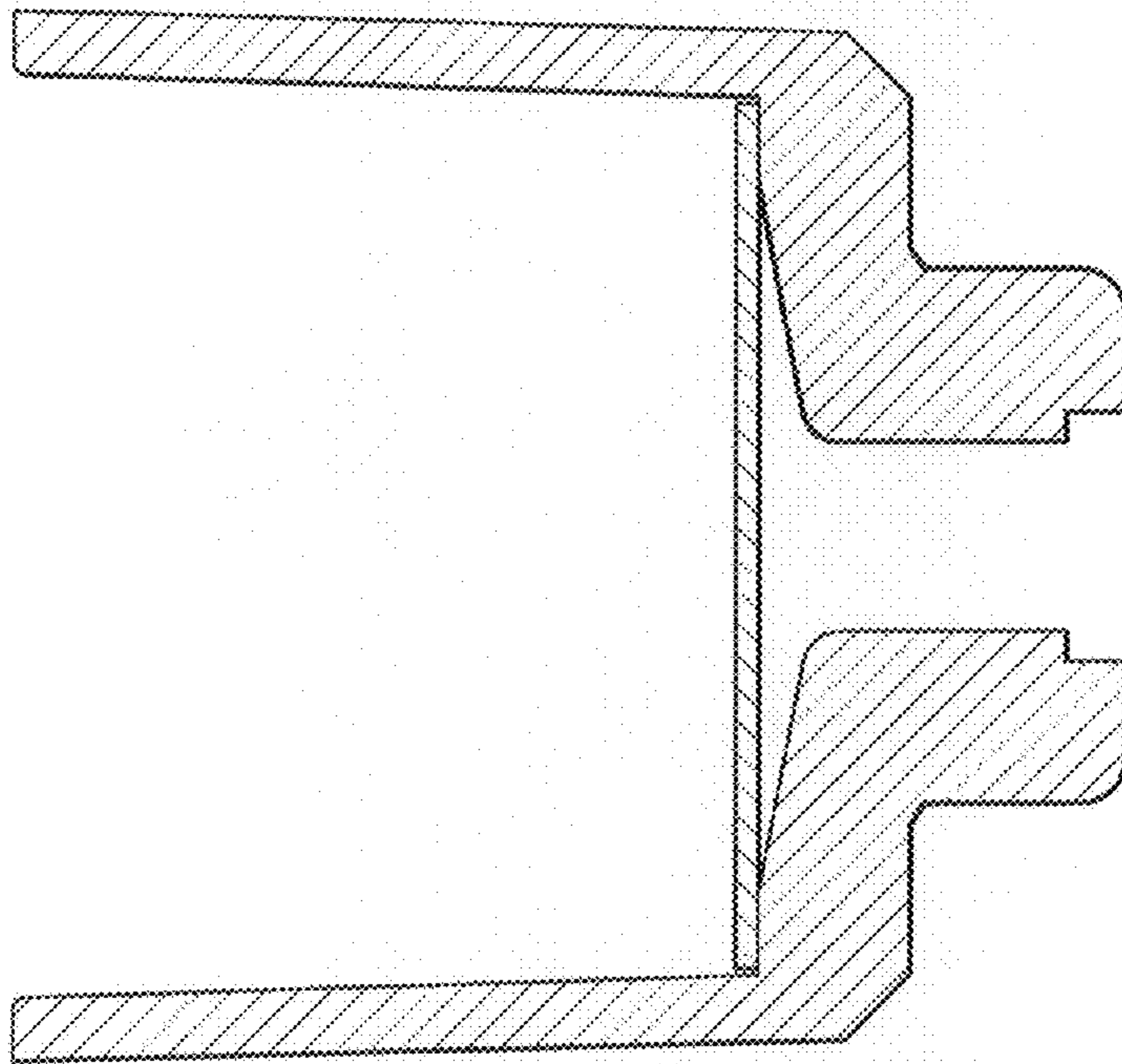


FIG.10

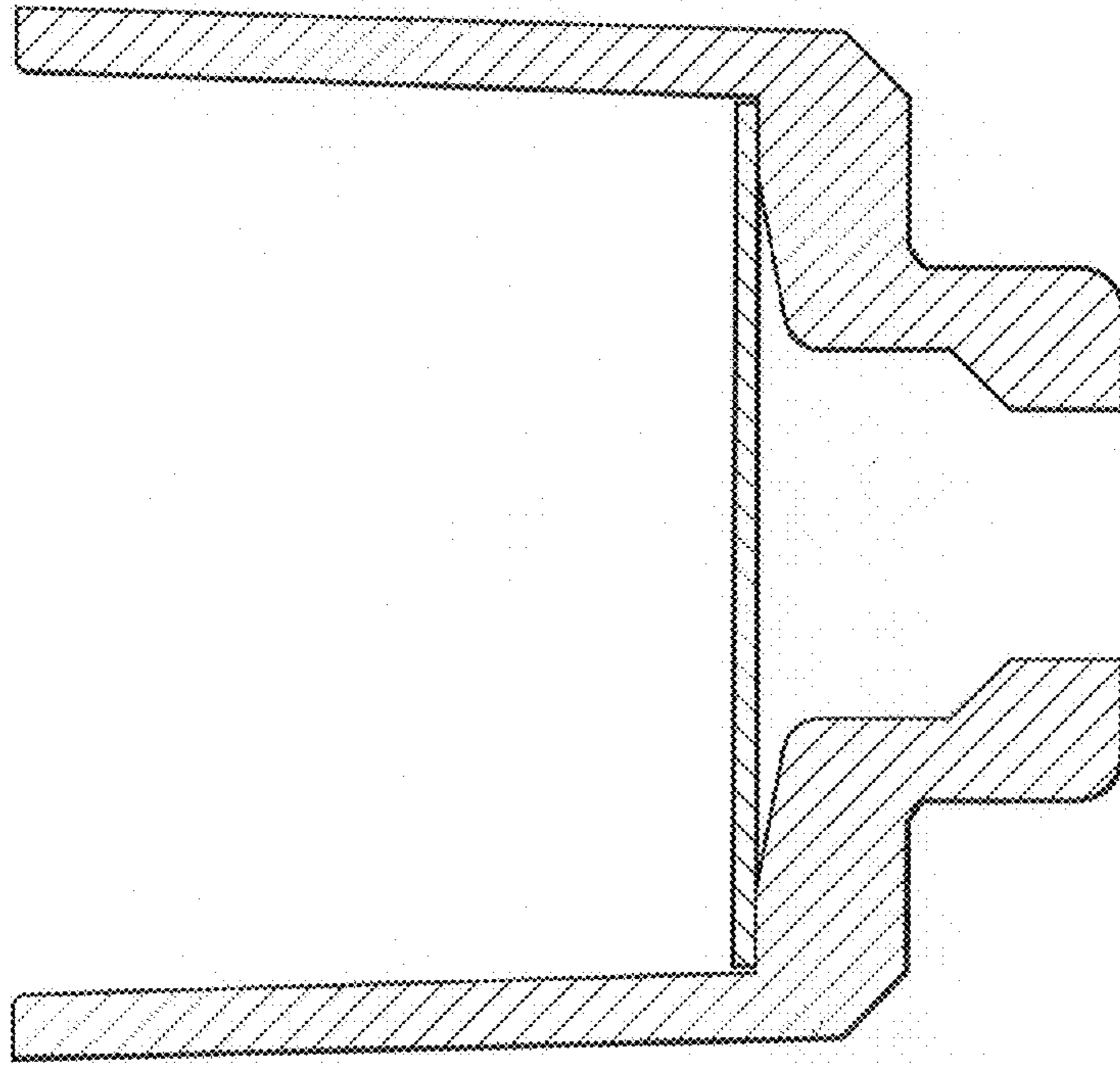


FIG.11

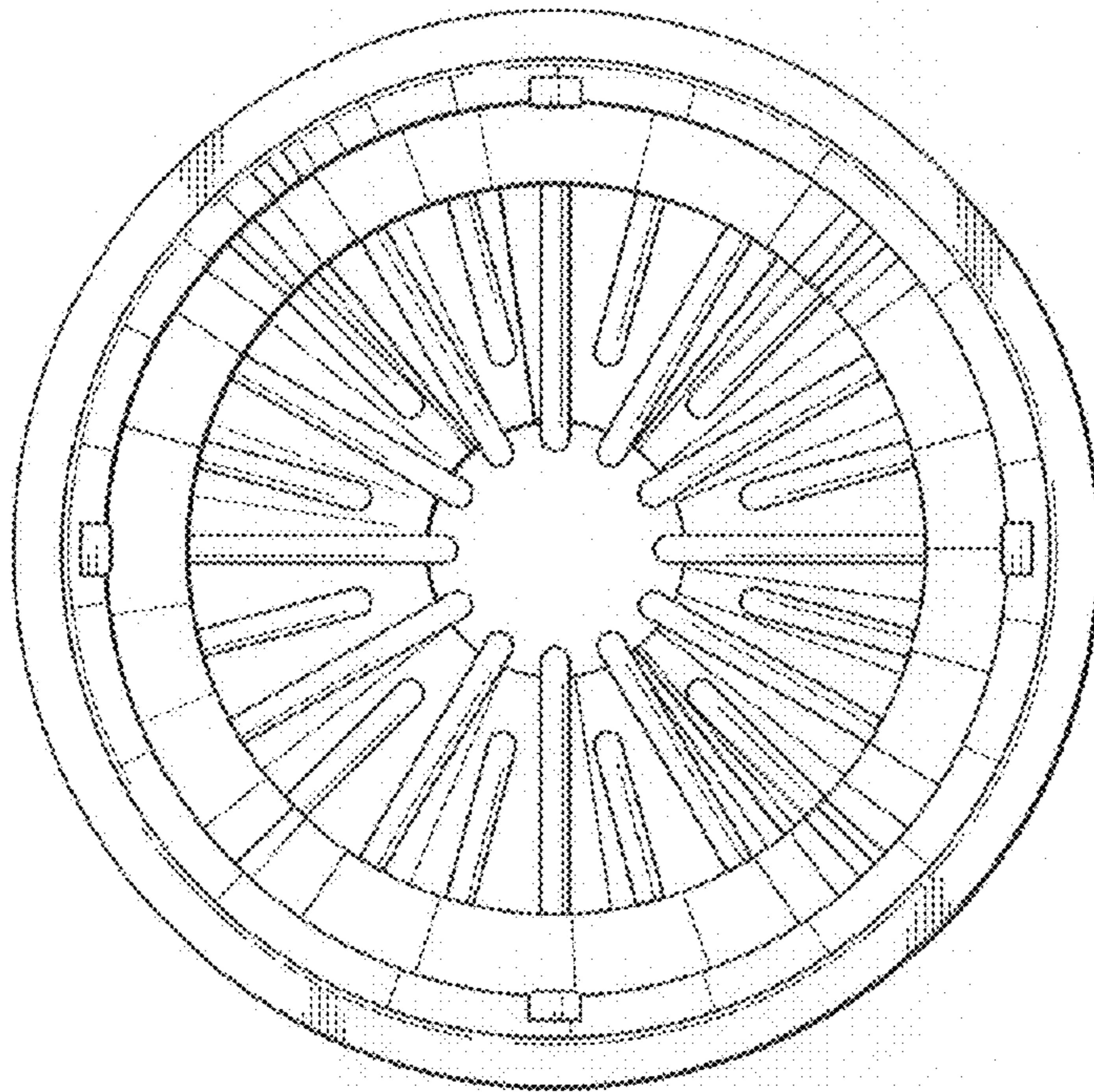


FIG. 12

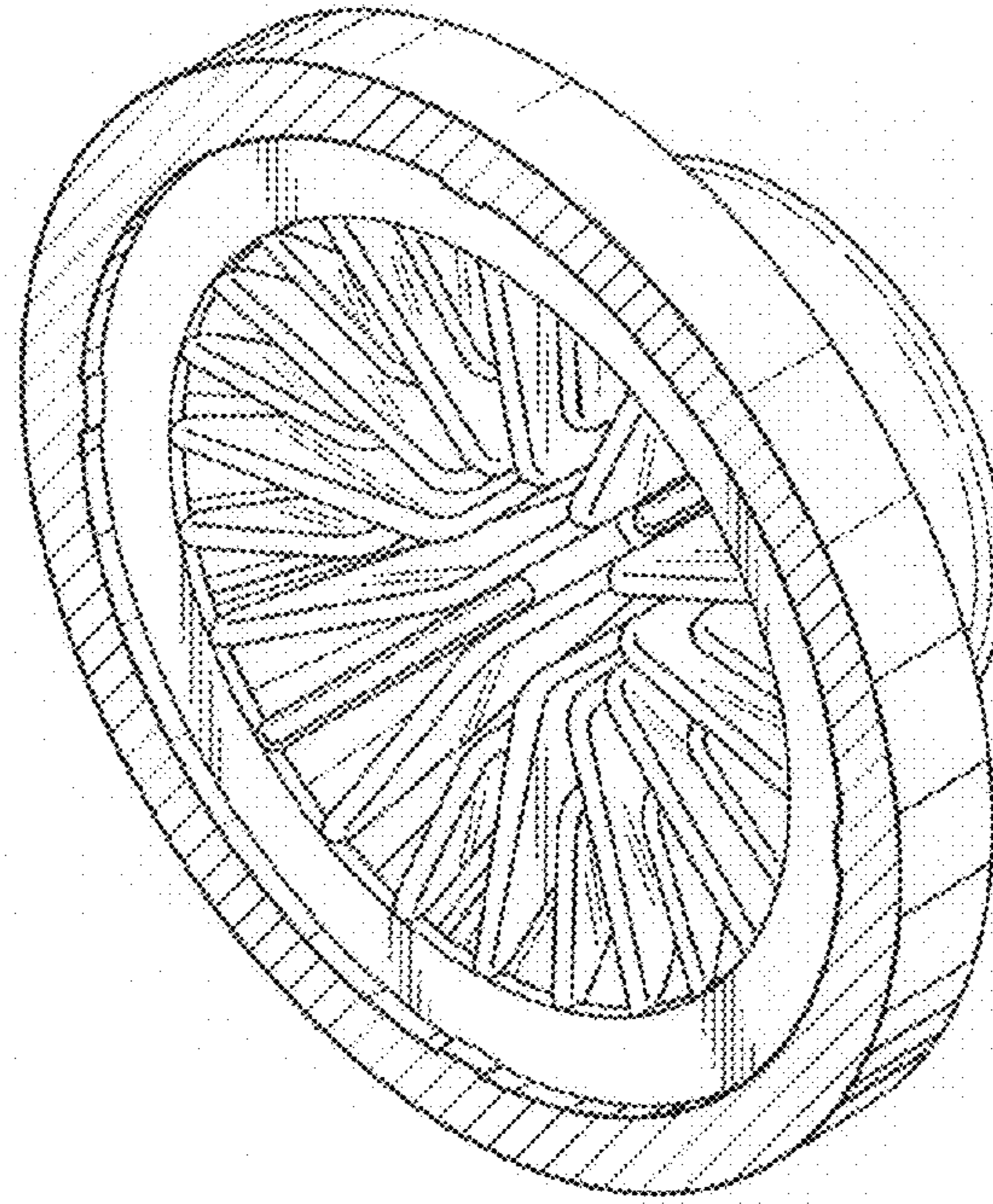


FIG. 13

