



US00D597677S

(12) **United States Design Patent**
Steinert

(10) **Patent No.:** **US D597,677 S**

(45) **Date of Patent:** **** Aug. 4, 2009**

(54) **APPARATUS FOR STIMULATING EXERCISE**

(74) *Attorney, Agent, or Firm*—Christopher B. Garvey; Nolte
Nolte & Hunter

(76) **Inventor:** **John William Steinert**, 59 Priscilla
Ave., Dix Hills, NY (US) 11746

(57) **CLAIM**

(**) **Term:** **14 Years**

The ornamental design for an apparatus for stimulating exer-
cise, as shown.

(21) **Appl. No.:** **29/247,488**

(22) **Filed:** **Jun. 21, 2006**

DESCRIPTION

Related U.S. Application Data

FIG. 1 is a front perspective view of an apparatus for stimu-
lating exercise showing my new design;

(63) Continuation-in-part of application No. 11/373,852,
filed on Mar. 10, 2006.

FIG. 2 is a front perspective view with the light array box, the
mounting swing arms, and the table in an alternative position;

(51) **LOC (9) Cl.** **24-01**

(52) **U.S. Cl.** **D24/200**

FIG. 3 is an enlarged front perspective view of the light array
box and mounting swing arms with the table, chairs, monitor
and the support member removed for ease of illustration;

(58) **Field of Classification Search** D24/200,
D24/107, 188, 183, 185, 158, 160, 232, 234;
600/300, 595, 26; D21/662, 676, 686, 690;
248/918-919; 601/15, 18, 23, 49-51, 66,
601/70, 90, 131, 118, 86; 482/1, 5-9, 91,
482/51, 142

FIG. 4 is an enlarged underside rear perspective view of the
light array box thereof;

See application file for complete search history.

FIG. 5 is a left rear perspective view of an apparatus for
stimulating exercise with the table and the stimulator screen
with one chair and the support member removed for ease of
illustration;

(56) **References Cited**

U.S. PATENT DOCUMENTS

FIG. 6 is a right front perspective view with the stimulator
screen slightly rotated, showing a key board with the support
member removed for ease of illustration;

5,304,112	A *	4/1994	Mrklas et al.	600/27
6,702,767	B1 *	3/2004	Douglas et al.	601/15
6,706,003	B2 *	3/2004	Perrad et al.	600/587
6,896,655	B2 *	5/2005	Patton et al.	600/300
2006/0264299	A1 *	11/2006	Farinelli et al.	482/8
2007/0066917	A1 *	3/2007	Hodorek et al.	600/595
2007/0093989	A1 *	4/2007	Nashner	702/185
2007/0100214	A1 *	5/2007	Steinert	600/300
2008/0113853	A1 *	5/2008	Jang	482/142
2008/0169931	A1 *	7/2008	Gentry et al.	340/573.1

FIG. 7 is a left perspective view of the apparatus for stimu-
lating exercise, with the keyboard folded up near the screen;
and,

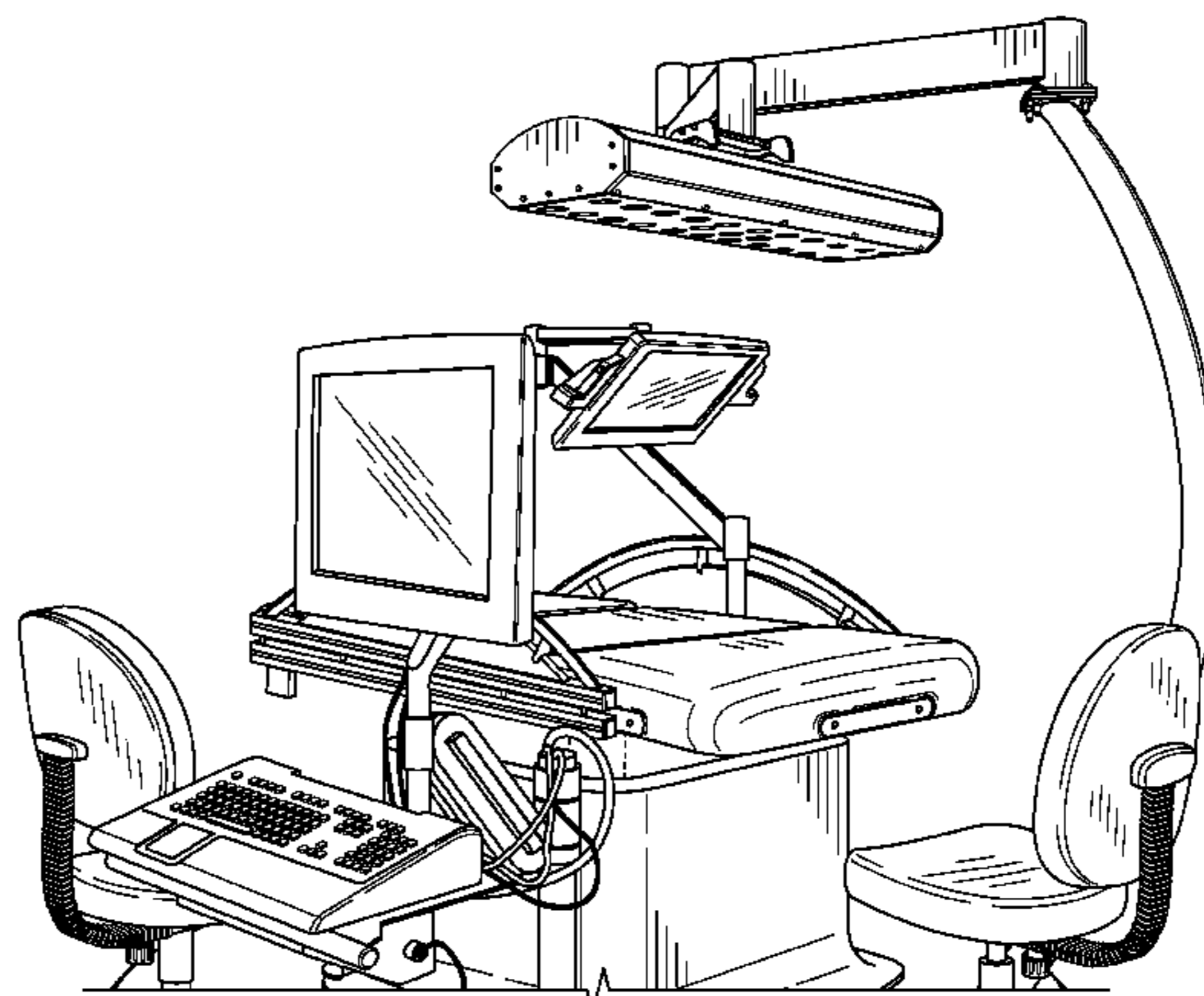
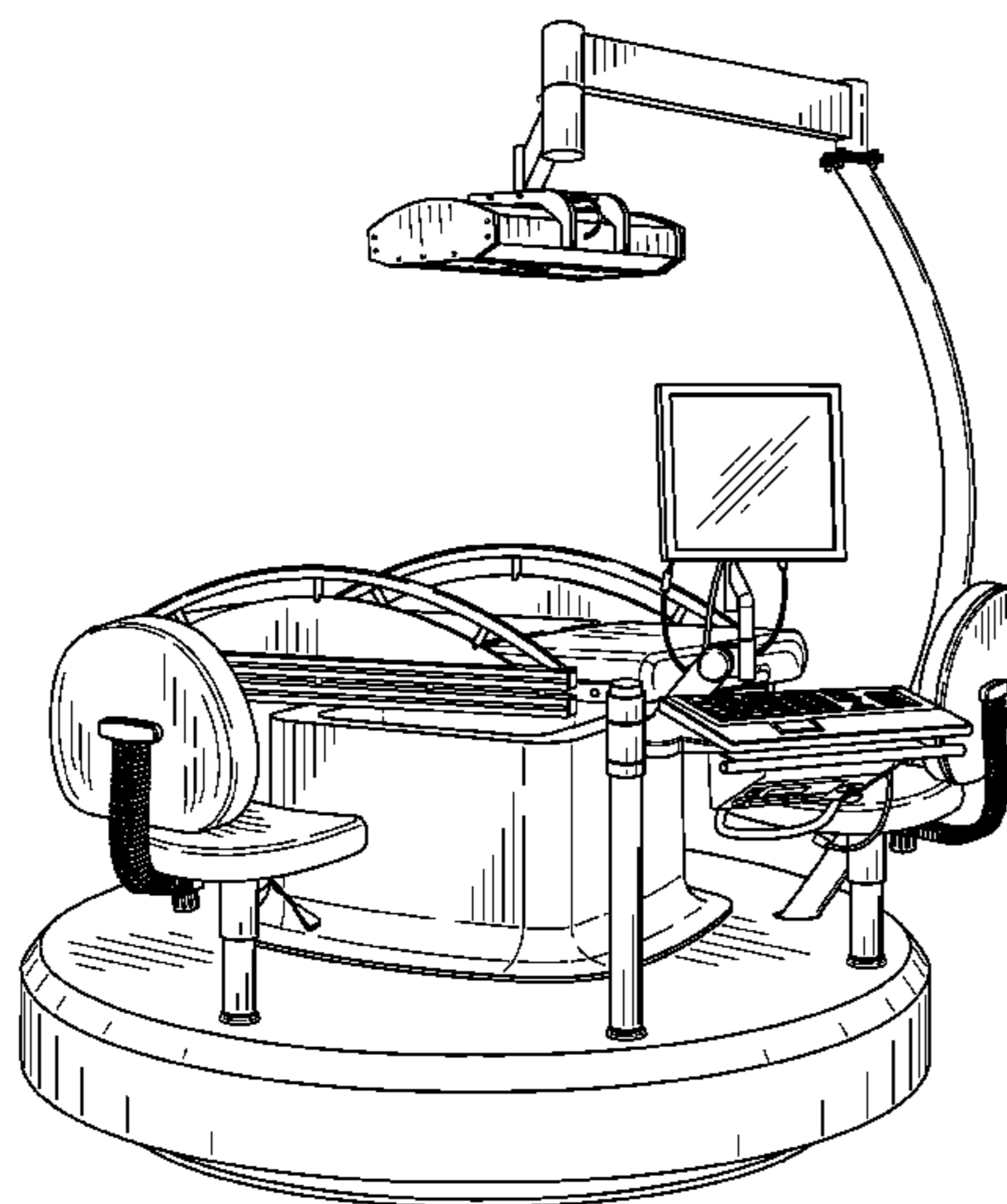
* cited by examiner

FIG. 8 is an enlarged perspective view thereof, with the key-
board folded up with the light array box, mounting swing
arms, table, one chair, the patient stimulator screen, and the
support member removed for ease of illustration.

Primary Examiner—Ian Simmons
Assistant Examiner—Wan Laymon

The broken line showing of: the connection between base and
table in FIGS. 1, 2, 5 & 6; protrusions on the hinge joining the
lamp box swing arms in FIGS. 1, 3, & 5; protrusions on the
lamp box in FIGS. 3-6; the sound amplifier in FIG. 7; and the
headphones in FIG. 8, is for the purpose of illustrating envi-
ronmental structure, and forms no part of the claimed design.

1 Claim, 8 Drawing Sheets



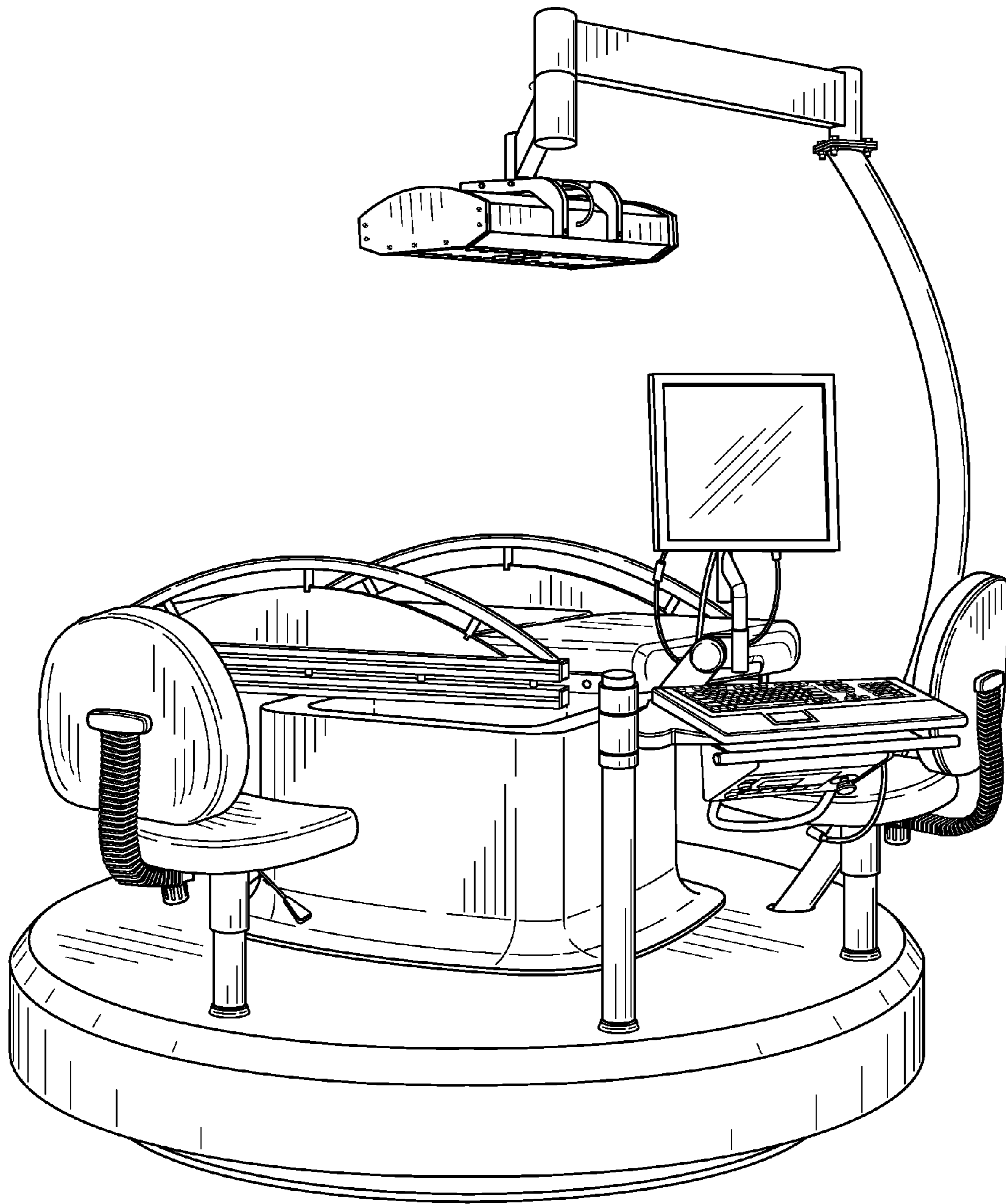


FIG. 1

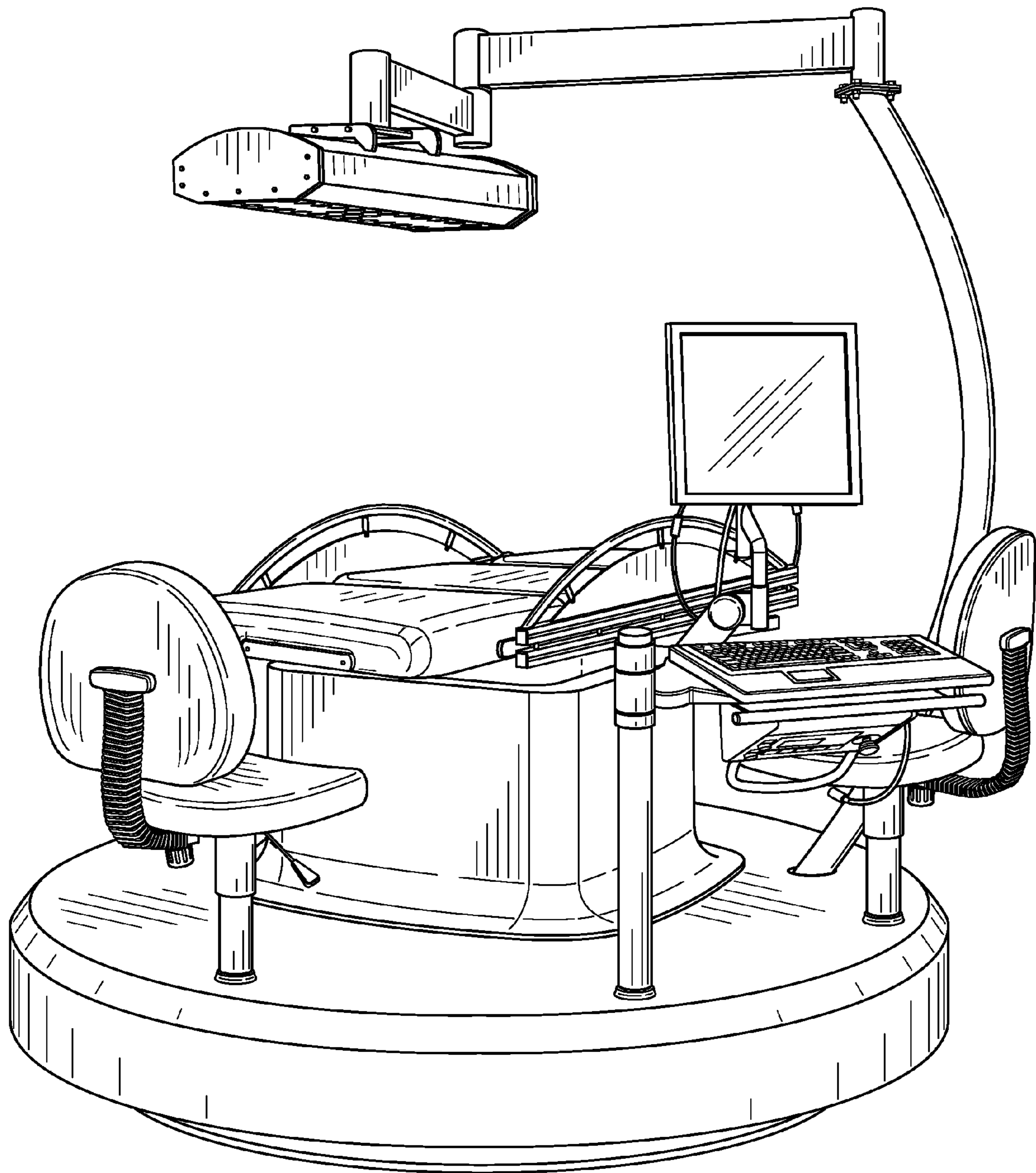


FIG. 2

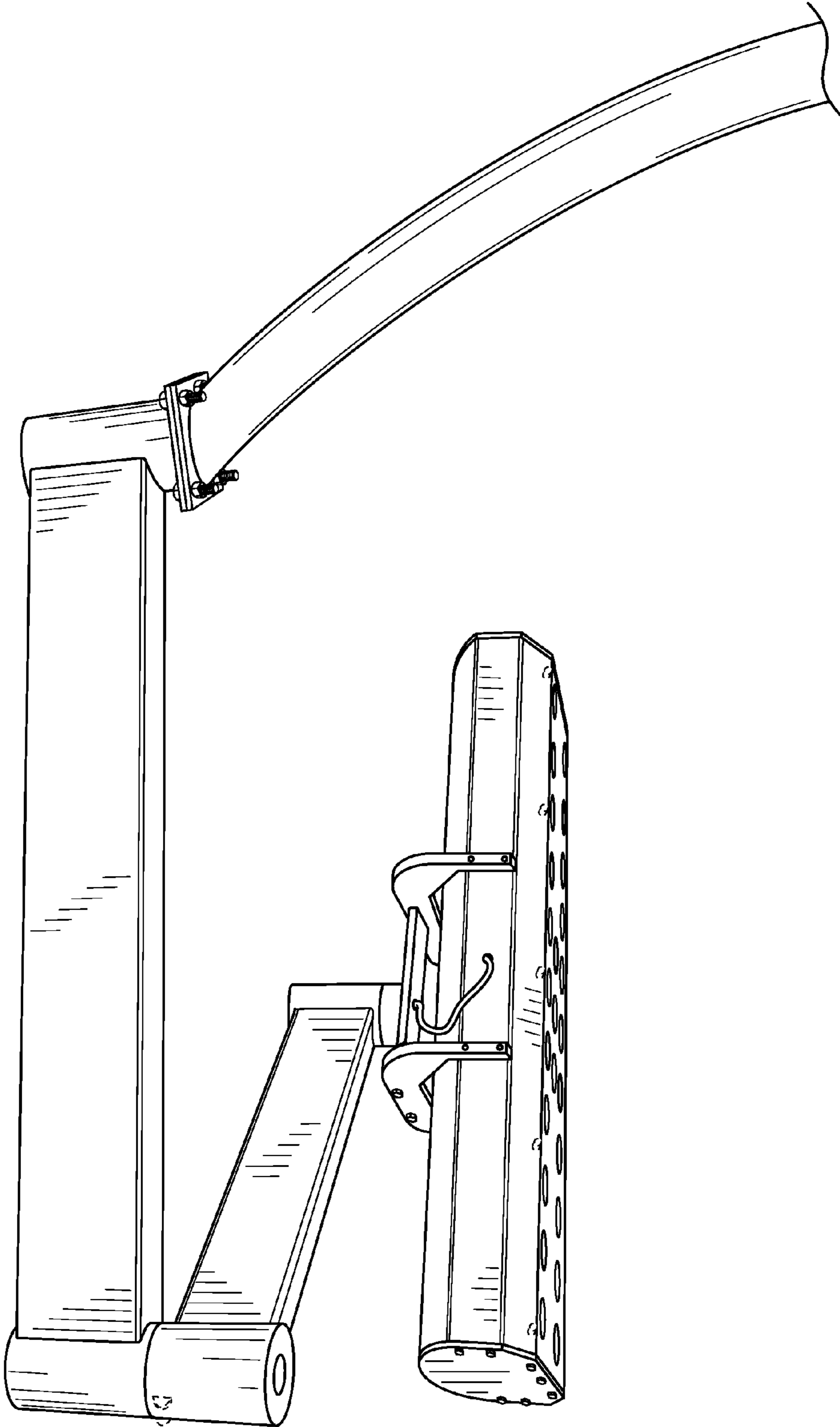


FIG. 3

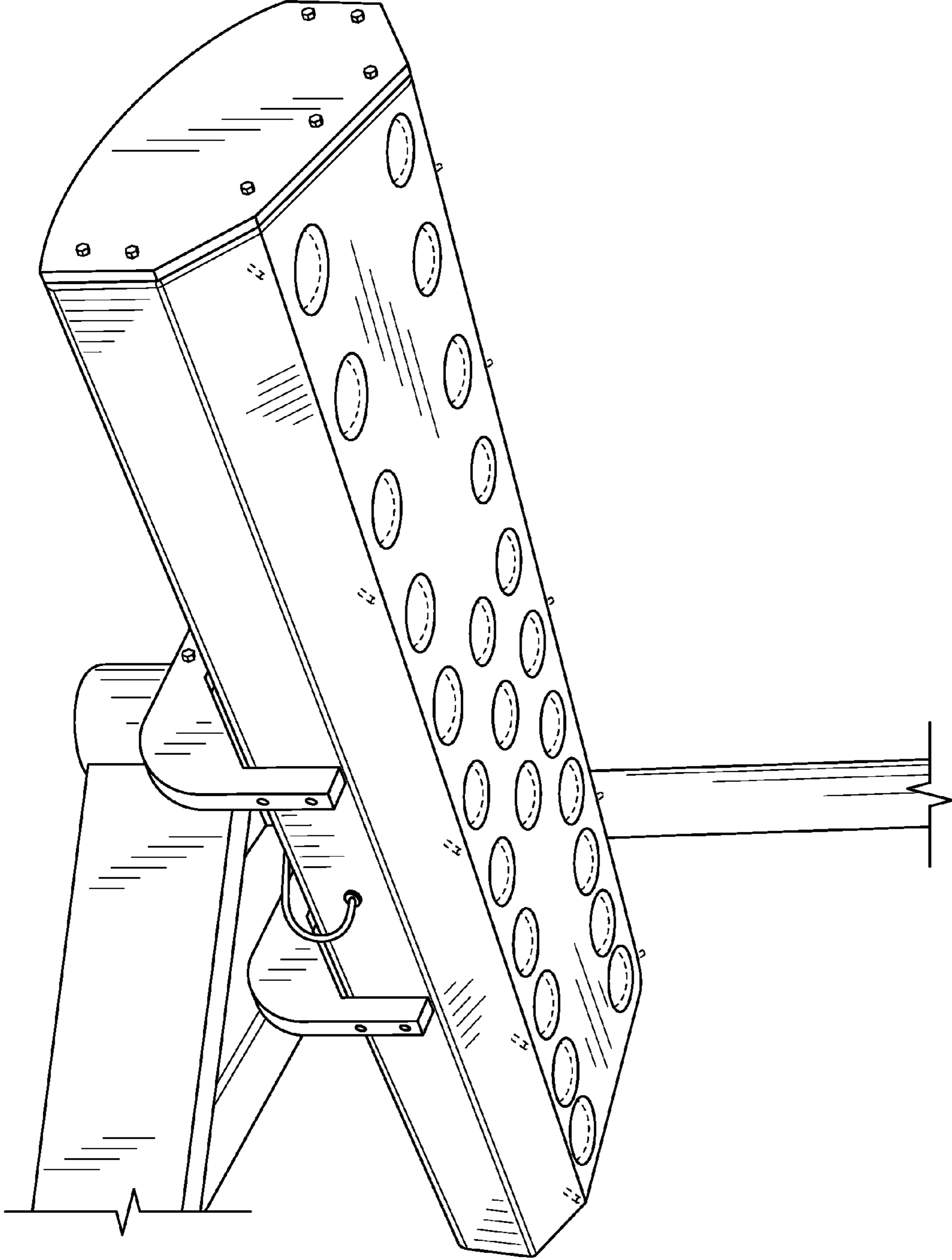


FIG. 4

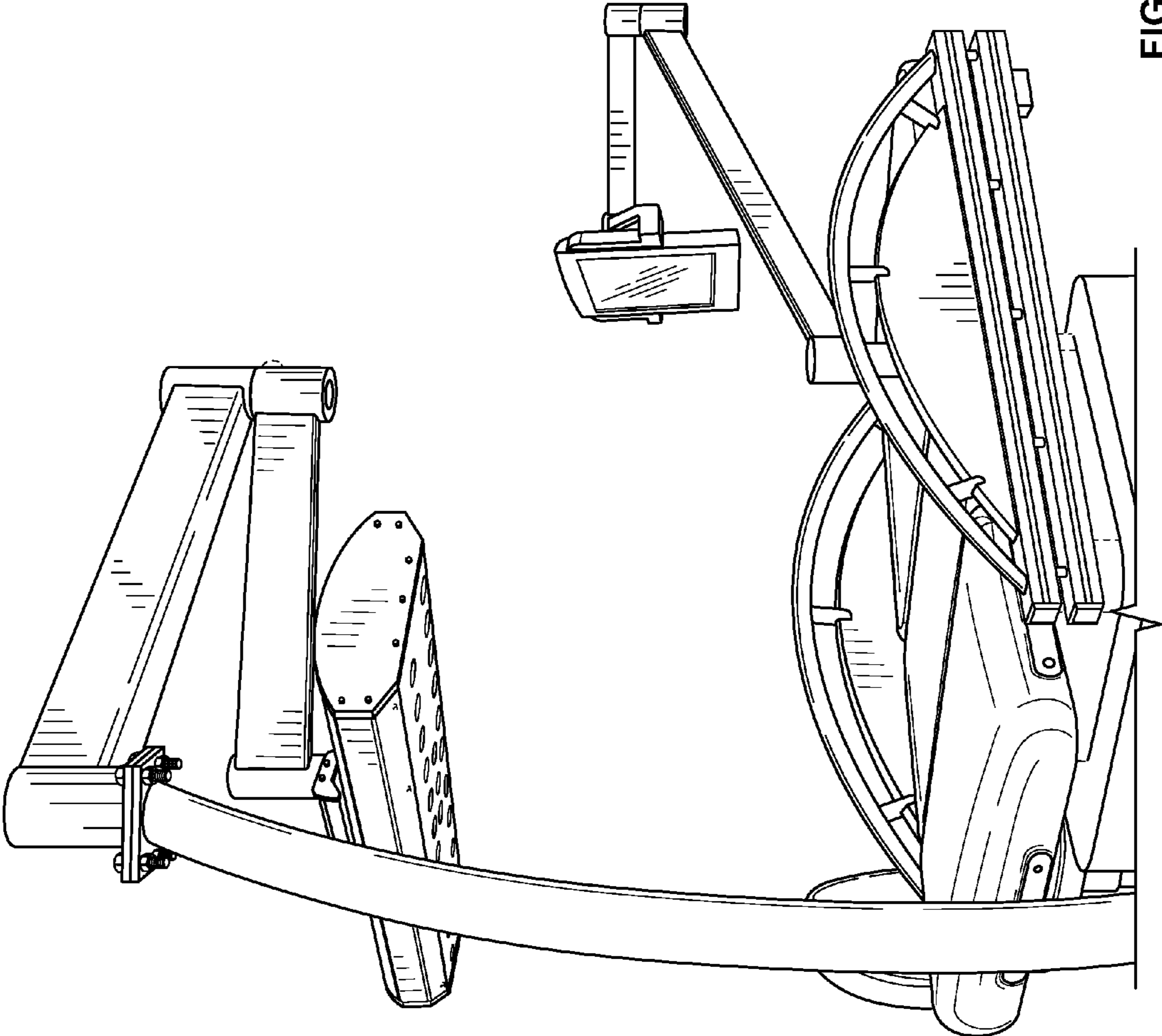


FIG. 5

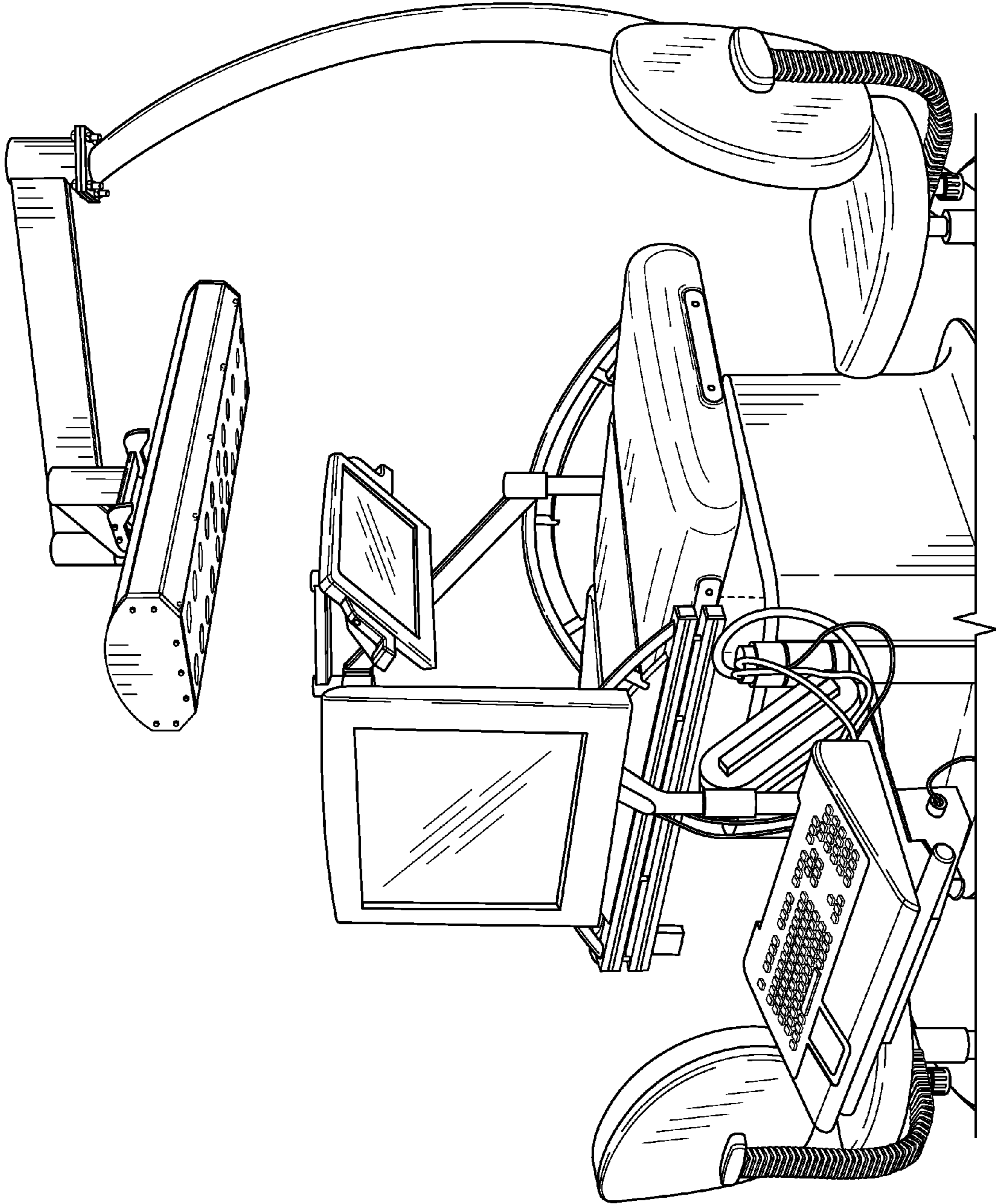


FIG. 6

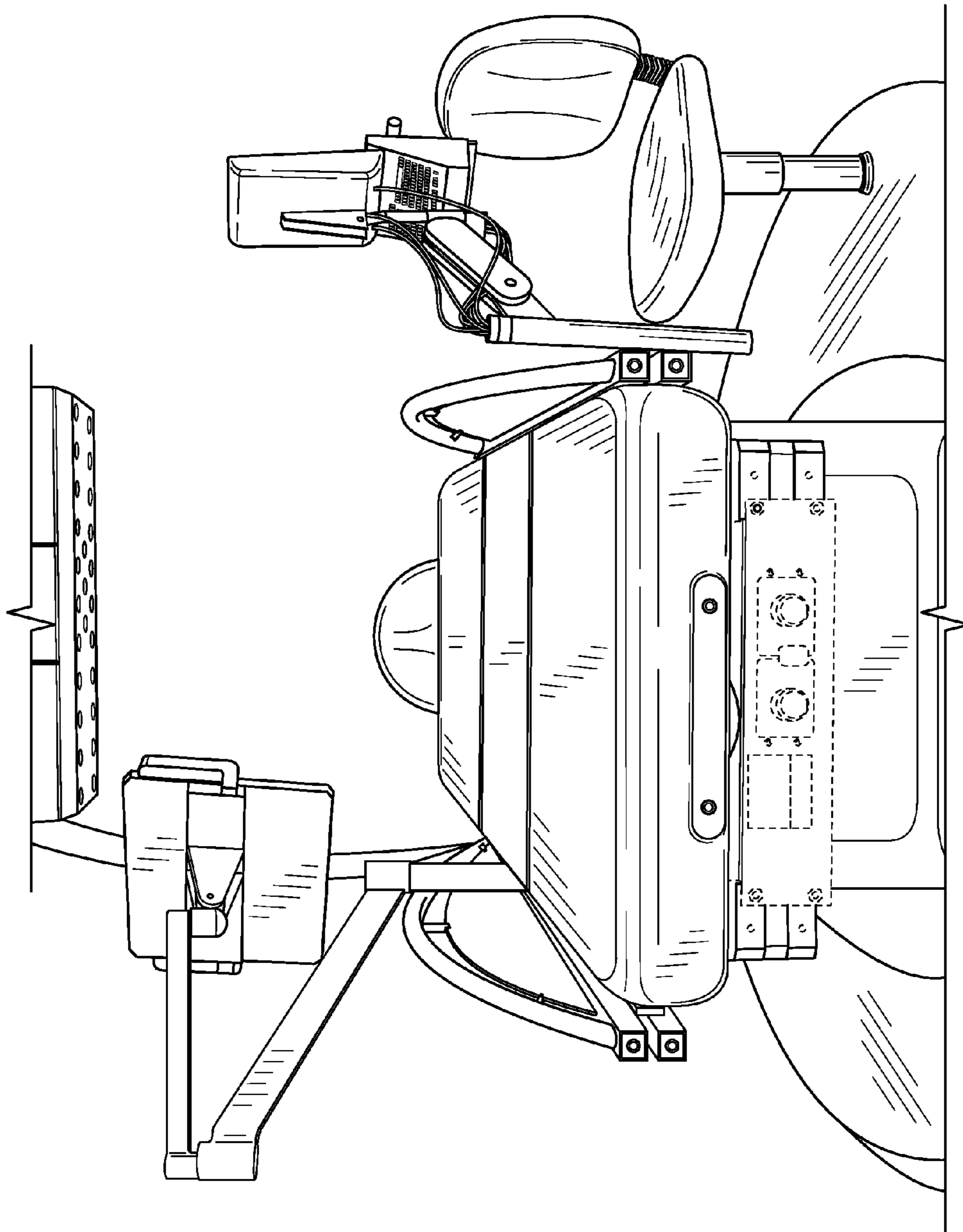


FIG. 7

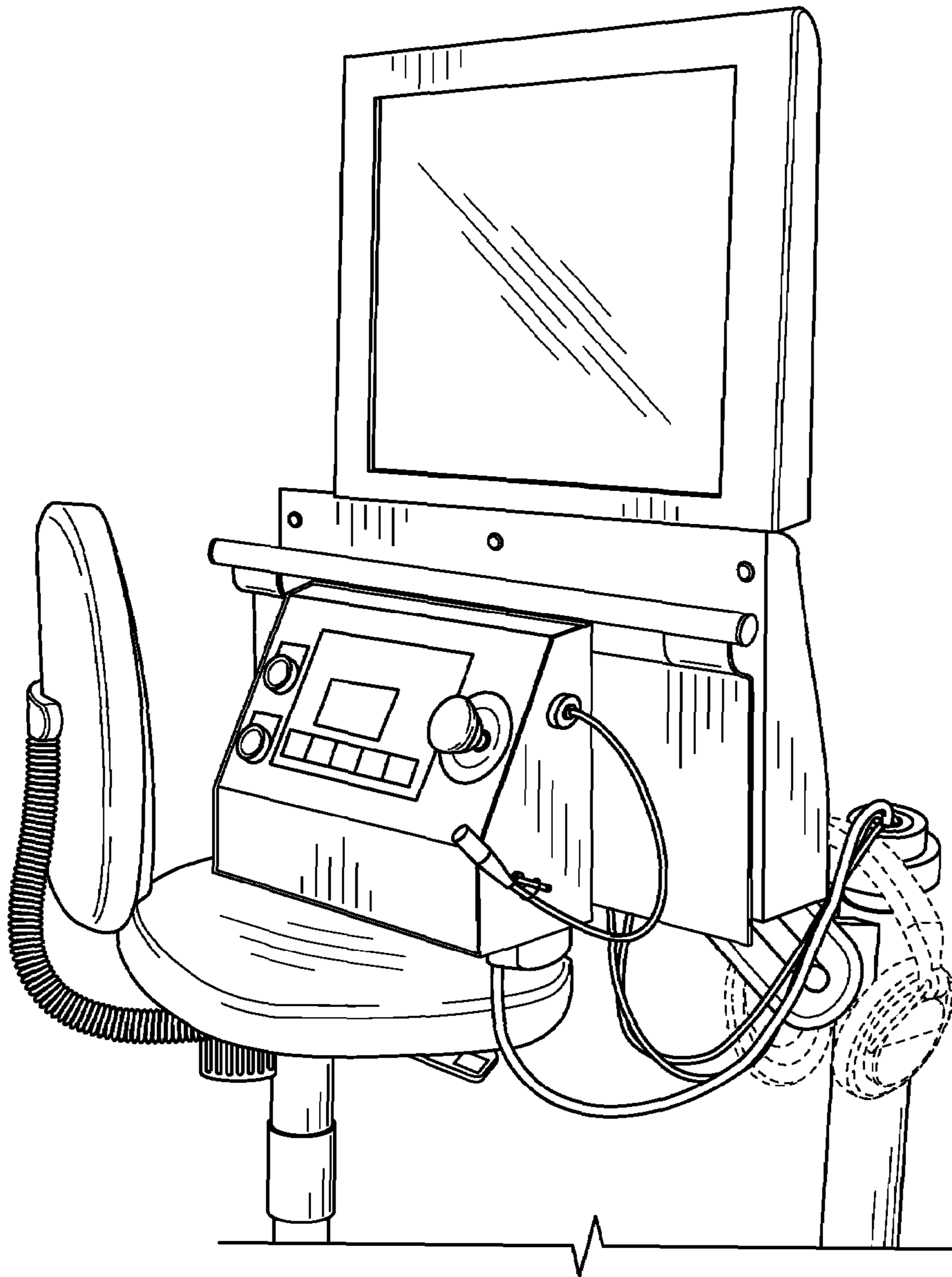


FIG. 8