



US00D597676S

(12) **United States Design Patent**
Copeland et al.

(10) **Patent No.:** **US D597,676 S**

(45) **Date of Patent:** **** Aug. 4, 2009**

(54) **HEADBAND WITH PHYSIOLOGICAL SENSORS**

(75) Inventors: **David Copeland**, Minnetonka, MN (US); **Benoit Devinat**, Providence, RI (US); **Marco Wo**, Providence, RI (US)

(73) Assignee: **Zeo, Inc.**, Newton, MA (US)

(**) Term: **14 Years**

(21) Appl. No.: **29/312,541**

(22) Filed: **Oct. 29, 2008**

Related U.S. Application Data

(63) Continuation of application No. 11/586,196, filed on Oct. 24, 2006.

(51) **LOC (9) Cl.** **24-02**

(52) **U.S. Cl.** **D24/187**

(58) **Field of Classification Search** D24/168, D24/186-187; D2/865, 881; D26/39; 600/372, 600/382, 383, 386, 390, 544-549
See application file for complete search history.

(56) **References Cited**

U.S. PATENT DOCUMENTS

D394,720 S * 5/1998 Yuen D26/39

D492,783 S * 7/2004 Lax D24/167
D492,999 S * 7/2004 Lax D24/167
D560,809 S * 1/2008 Causevic et al. D24/187
D565,735 S * 4/2008 Washbon D24/187
D578,222 S * 10/2008 Sakurai et al. D24/187
D583,971 S * 12/2008 Castellucci et al. D26/39
D585,557 S * 1/2009 Sakurai et al. D24/187

* cited by examiner

Primary Examiner—Robert A. Delehanty

Assistant Examiner—Mark Cavanna

(74) *Attorney, Agent, or Firm*—Ropes & Gray LLP

(57) **CLAIM**

An ornamental design for a headband with physiological sensors, as shown and described.

DESCRIPTION

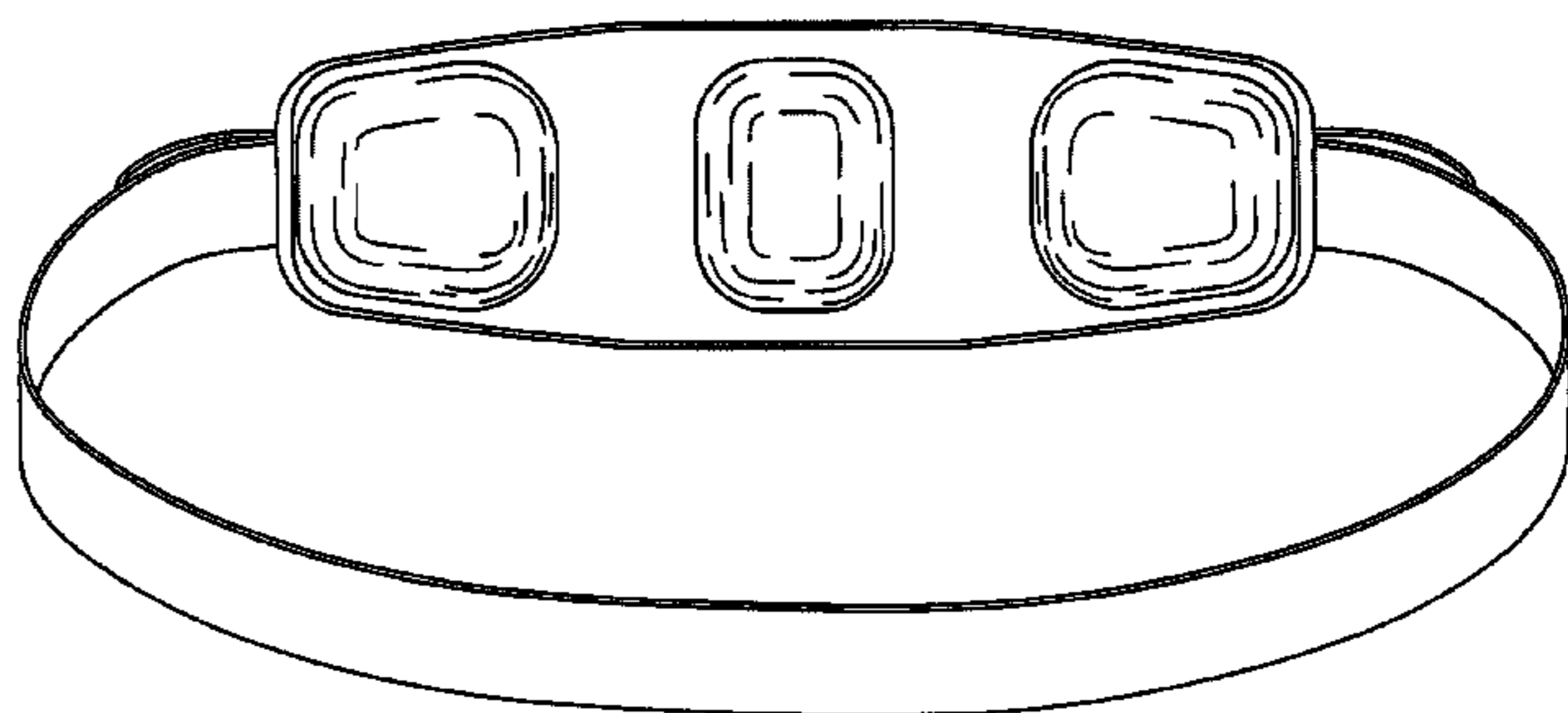
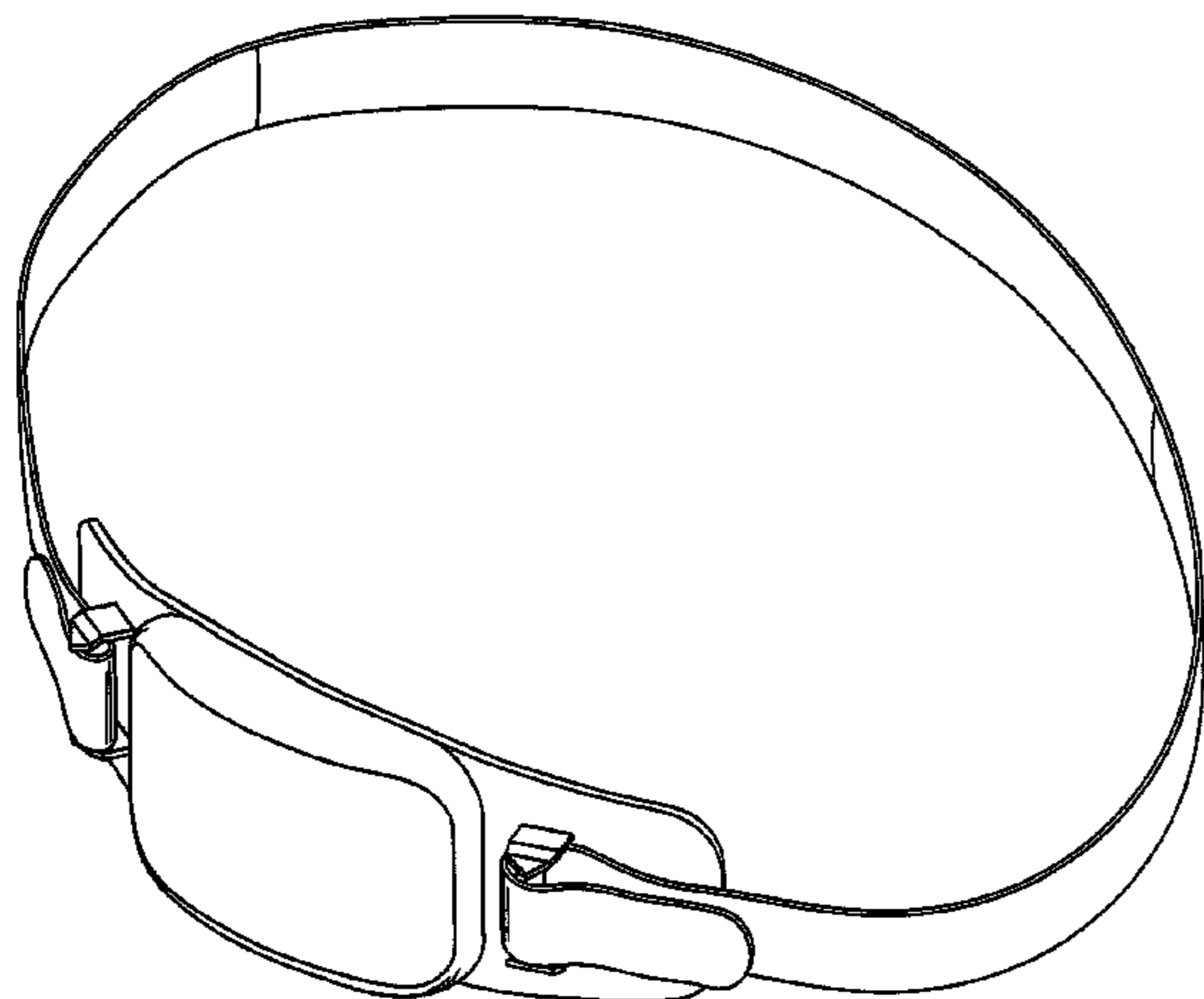
FIG. 1 is a perspective view of a headband with physiological sensors showing our new design;

FIG. 2 is a slightly enlarged front view thereof with the straps shown adjusted to show a condition of use;

FIG. 3 is a top view thereof with the straps shown adjusted to show another condition of use; and,

FIG. 4 is a back view thereof with the straps shown adjusted to show another condition of use.

1 Claim, 4 Drawing Sheets



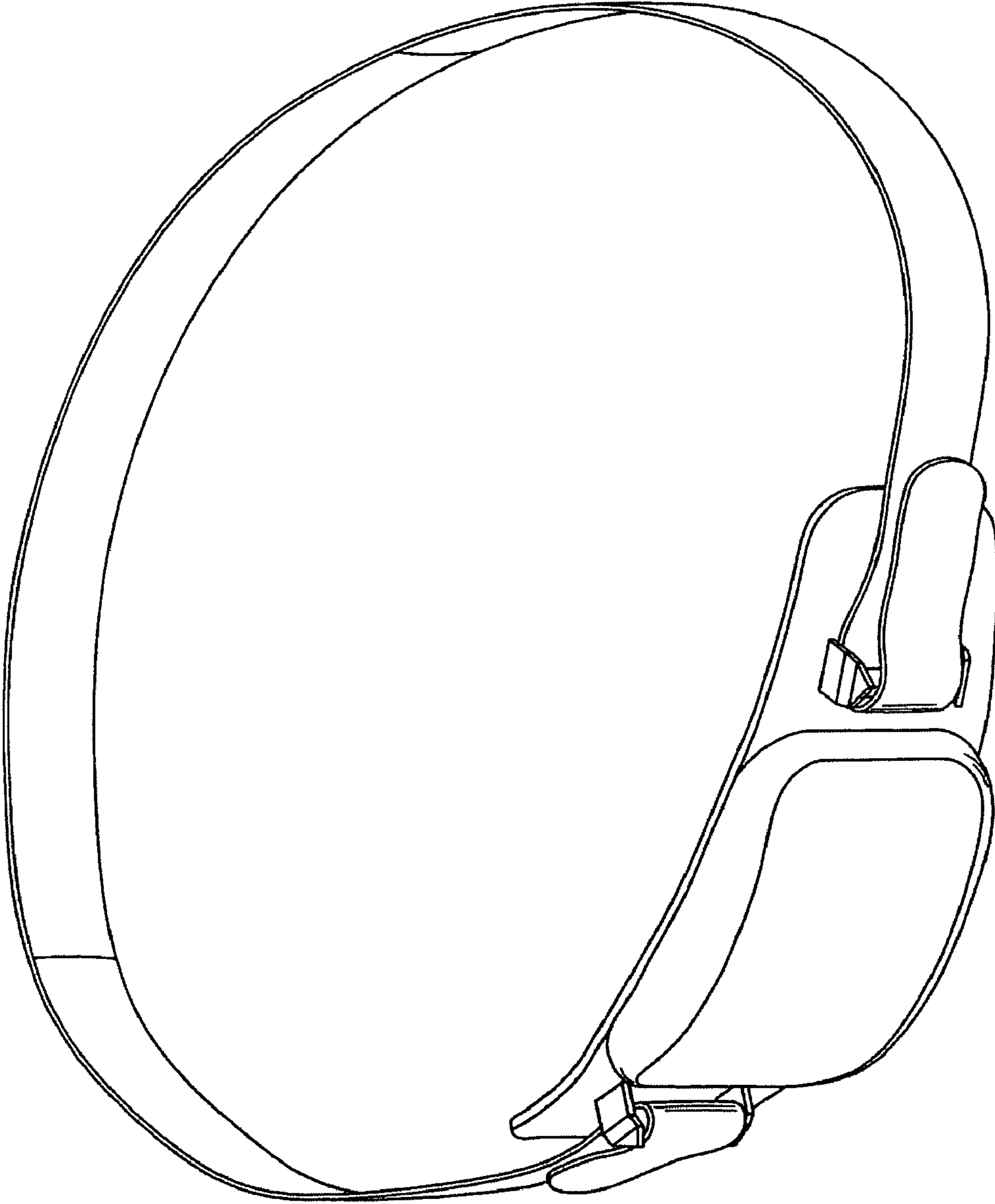


Figure 1

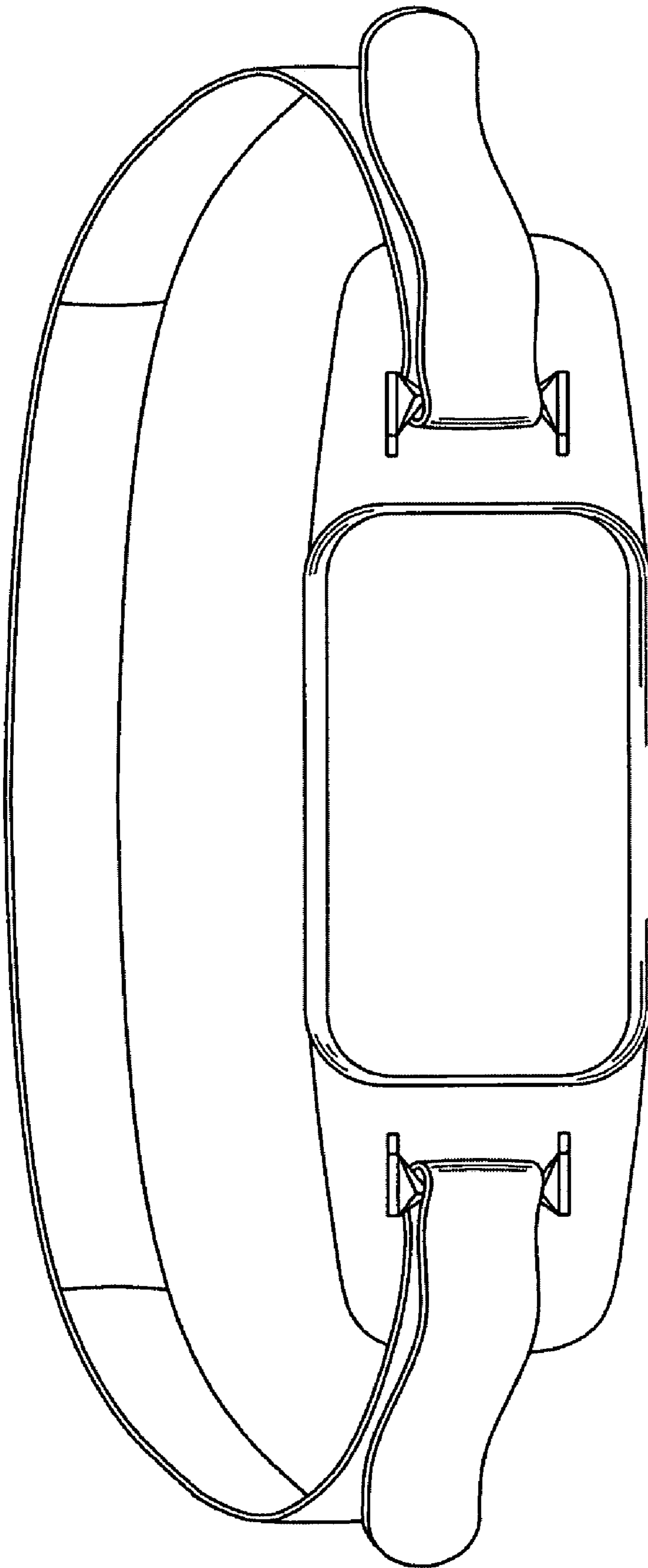


Figure 2

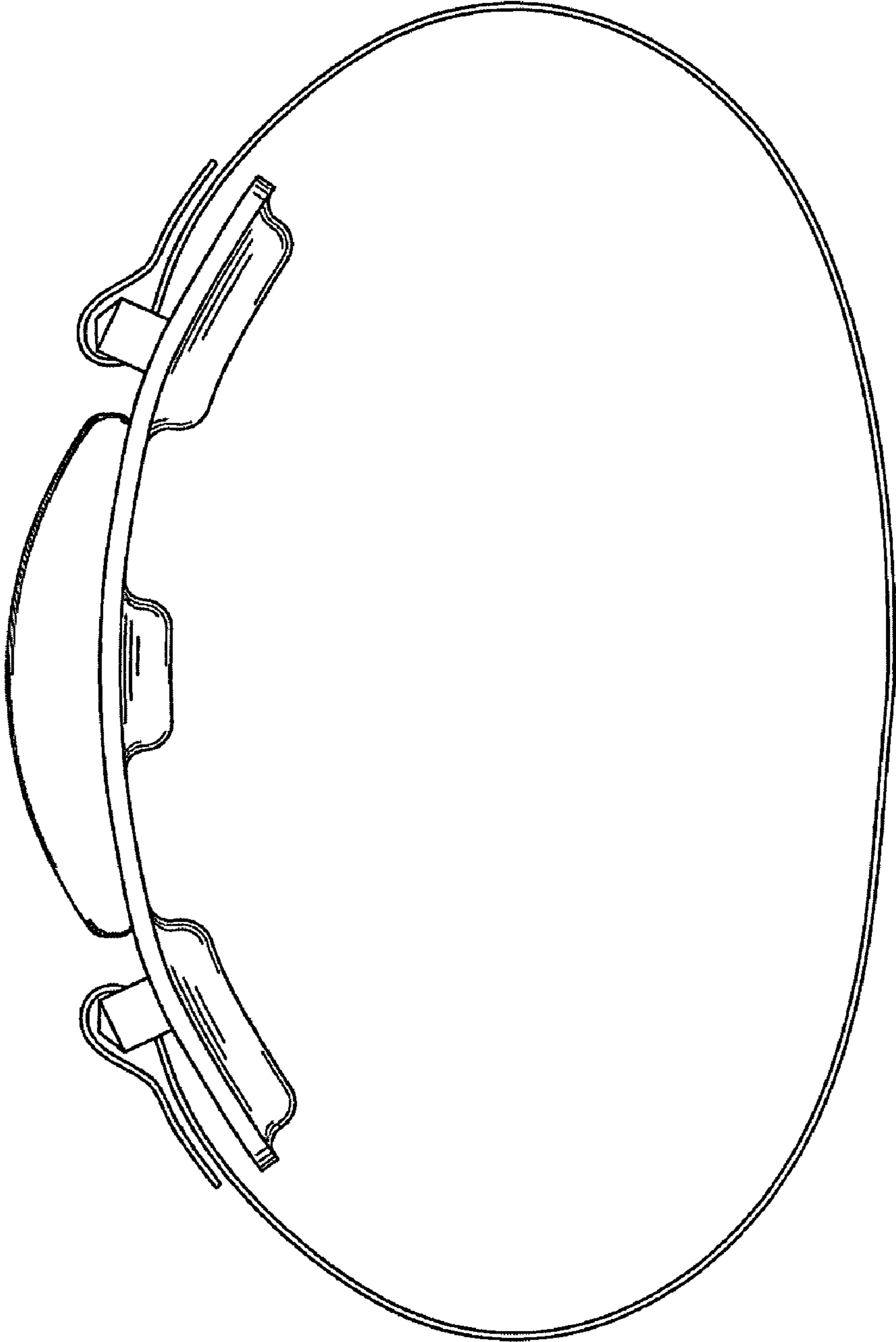


Figure 3

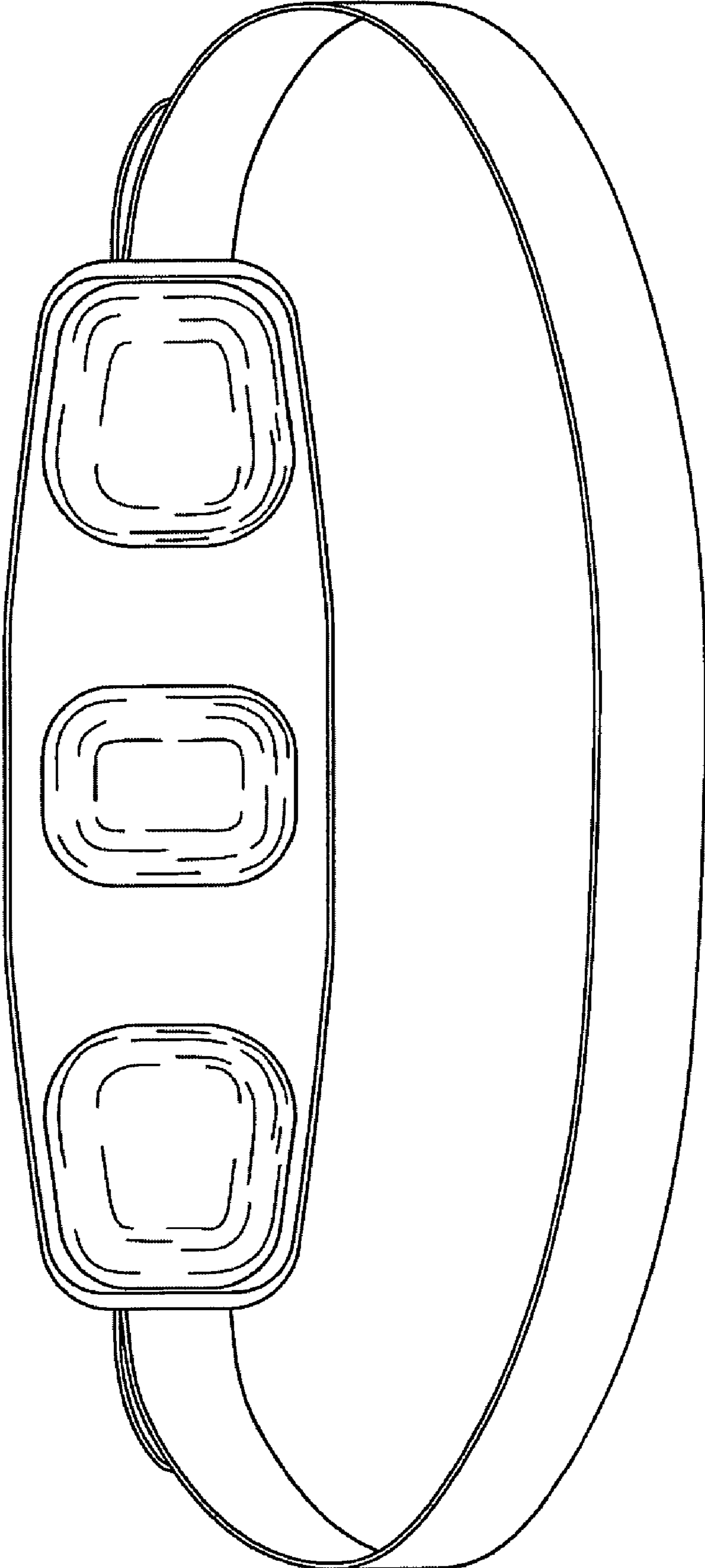


Figure 4

UNITED STATES PATENT AND TRADEMARK OFFICE
CERTIFICATE OF CORRECTION

PATENT NO. : Des. 597,676 S
APPLICATION NO. : 29/312541
DATED : August 4, 2009
INVENTOR(S) : Copeland et al.

Page 1 of 1

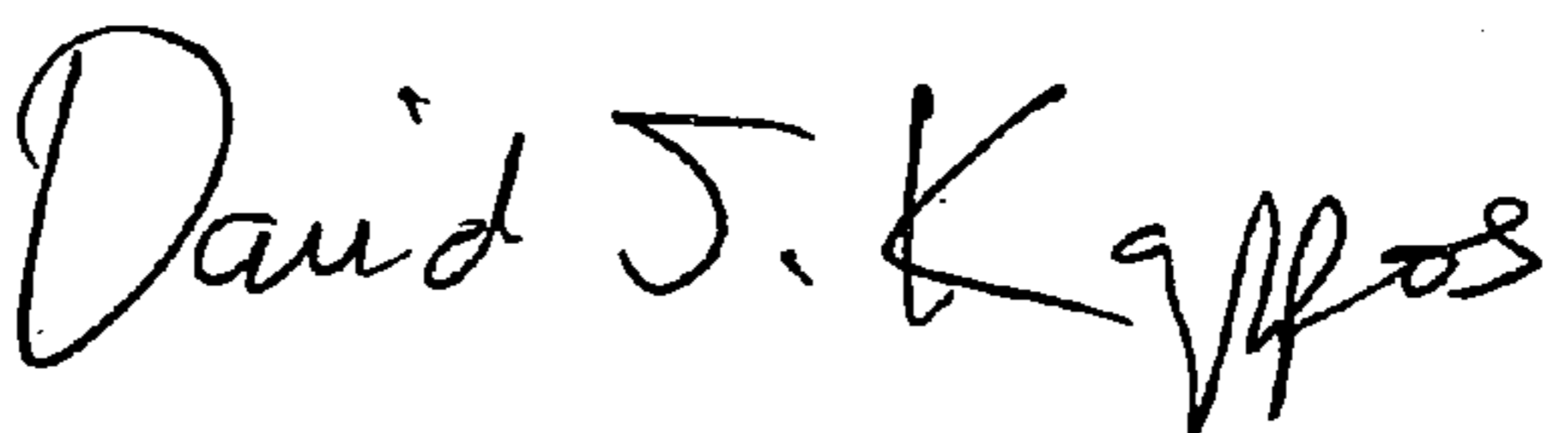
It is certified that error appears in the above-identified patent and that said Letters Patent is hereby corrected as shown below:

On the cover page:

Item (75) Inventors, add **Jason Donahue, Boston, MA (US)**

Signed and Sealed this

Tenth Day of November, 2009



David J. Kappos
Director of the United States Patent and Trademark Office