

US00D597675S

(12) **United States Design Patent**
Eli

(10) **Patent No.:** **US D597,675 S**

(45) **Date of Patent:** **** Aug. 4, 2009**

(54) **MOUTH-PIECE**

(76) **Inventor:** **Bradley A. Eli**, P.O. Box 234213,
Encinitas, CA (US) 92023

(**) **Term:** **14 Years**

(21) **Appl. No.:** **29/305,855**

(22) **Filed:** **Mar. 28, 2008**

(51) **LOC (9) Cl.** **24-02**

(52) **U.S. Cl.** **D24/181; D29/108**

(58) **Field of Classification Search** D24/155,
D24/156, 107, 176, 180, 181, 182; 433/173,
433/176, 49, 70, 168.1; D8/387, 388, 393;
D29/108, 100; 128/859, 861, 862; 604/20;
184/1.5

See application file for complete search history.

(56) **References Cited**

U.S. PATENT DOCUMENTS

3,207,153	A *	9/1965	Goldstein	D24/176
3,234,942	A *	2/1966	Simor	D24/176
3,236,235	A *	2/1966	Jacobs	D24/176
3,247,844	A *	4/1966	Berghash	D24/176
3,312,218	A *	4/1967	Jacobs	D24/176
D212,848	S *	12/1968	Westlund et al.	D24/181
3,416,527	A *	12/1968	Hoef	D24/176
D289,795	S *	5/1987	Andersson	D24/181
D328,494	S *	8/1992	Schwendemam et al.	...	D24/176
5,277,203	A	1/1994	Hays		
5,409,017	A	4/1995	Lowe		
D358,889	S *	5/1995	Wong	D24/181
5,499,633	A	3/1996	Fenton		
D382,965	S	8/1997	Wagner		
5,829,441	A	11/1998	Kidd et al.		

5,868,138	A	2/1999	Halstrom		
D406,647	S *	3/1999	Wagner	D24/181
D408,919	S *	4/1999	Cooley	D24/181
D444,559	S *	7/2001	Huffman	D24/181
6,619,290	B1	9/2003	Zacco		
D492,785	S *	7/2004	Garabito	D24/181
D526,093	S *	8/2006	Manzo et al.	D29/108
D526,095	S *	8/2006	Manzo et al.	D29/108
D530,863	S *	10/2006	Manzo et al.	D29/108
D537,987	S *	3/2007	Manzo et al.	D29/108
D539,429	S *	3/2007	Wong	D24/181
D548,402	S *	8/2007	Trodick	D29/108

* cited by examiner

Primary Examiner—Charles A Rademaker

(74) *Attorney, Agent, or Firm*—Frank G. Morkunas

(57) **CLAIM**

The ornamental design for a mouth-piece, as shown and described.

DESCRIPTION

FIG. 1 is a top and rear perspective view of a mouth-piece showing my new design;

FIG. 2 is a bottom and rear perspective view thereof;

FIG. 3 is a bottom plan view thereof;

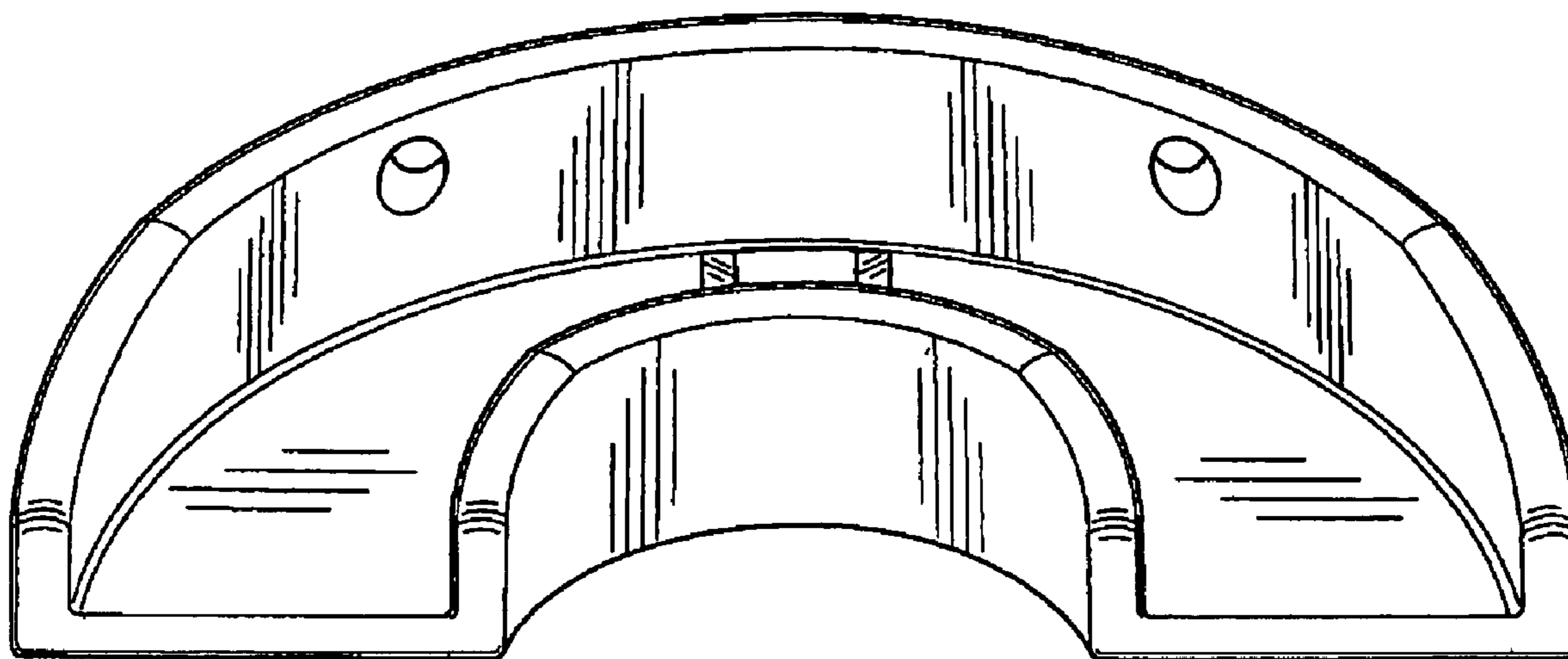
FIG. 4 is a front elevation thereof shown inverted and taken in the direction of line 4—4 in FIG. 3;

FIG. 5 is a top plan view thereof;

FIG. 6 is a side elevation thereof, turned upright taken on line 6—6 in FIG. 5, the side opposite being a mirror image; and,

FIG. 7 is a rear elevation thereof taken on line 5—5 in FIG. 5.

1 Claim, 2 Drawing Sheets



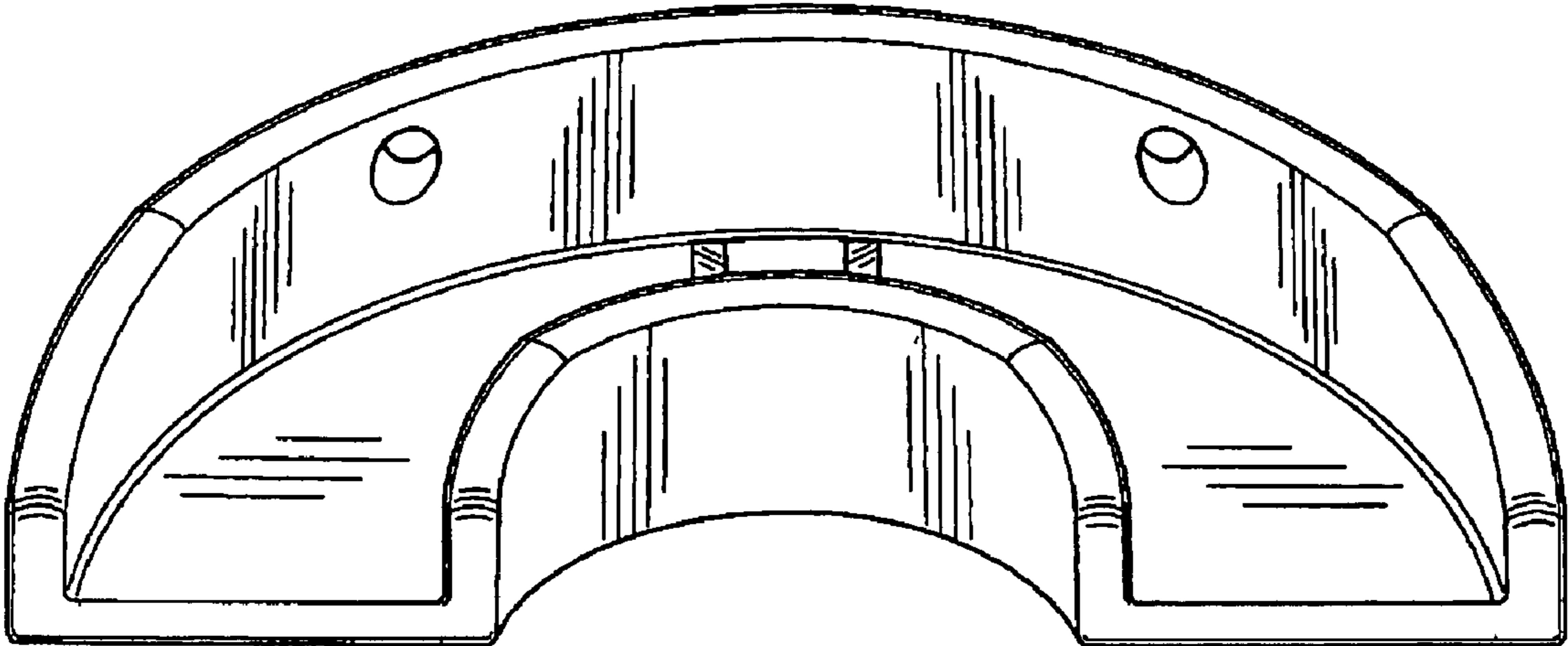


FIG. 1

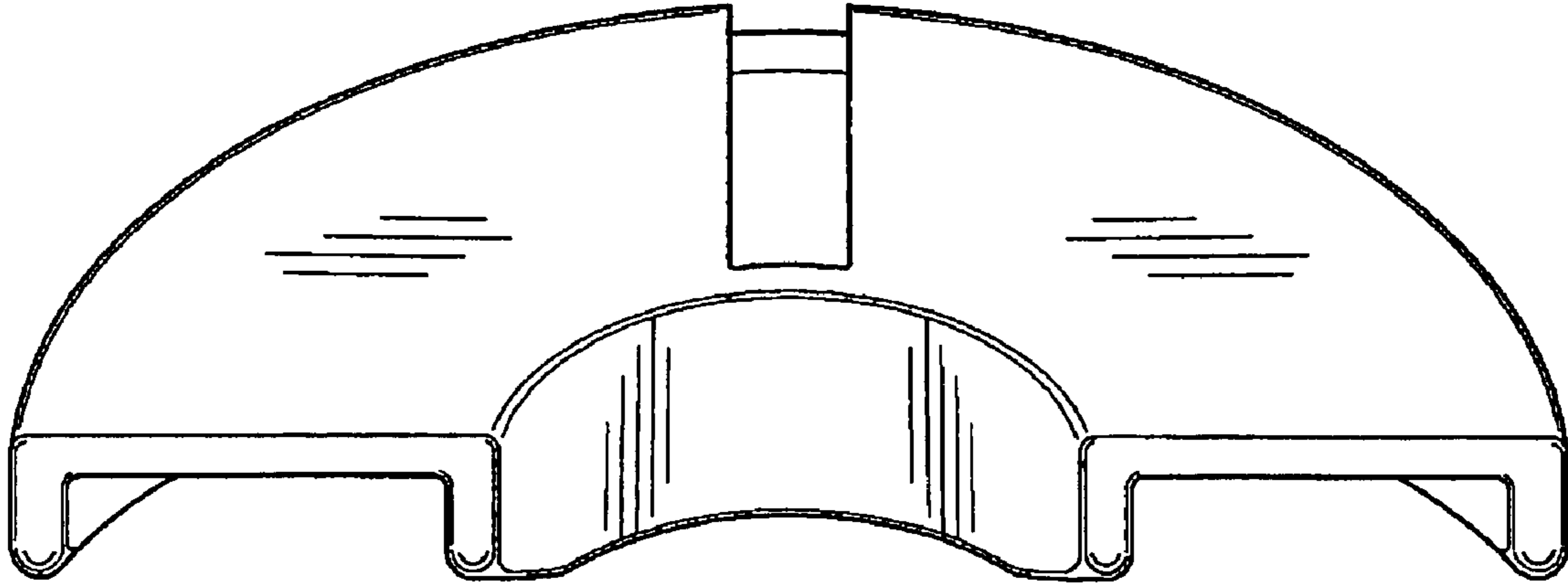


FIG. 2

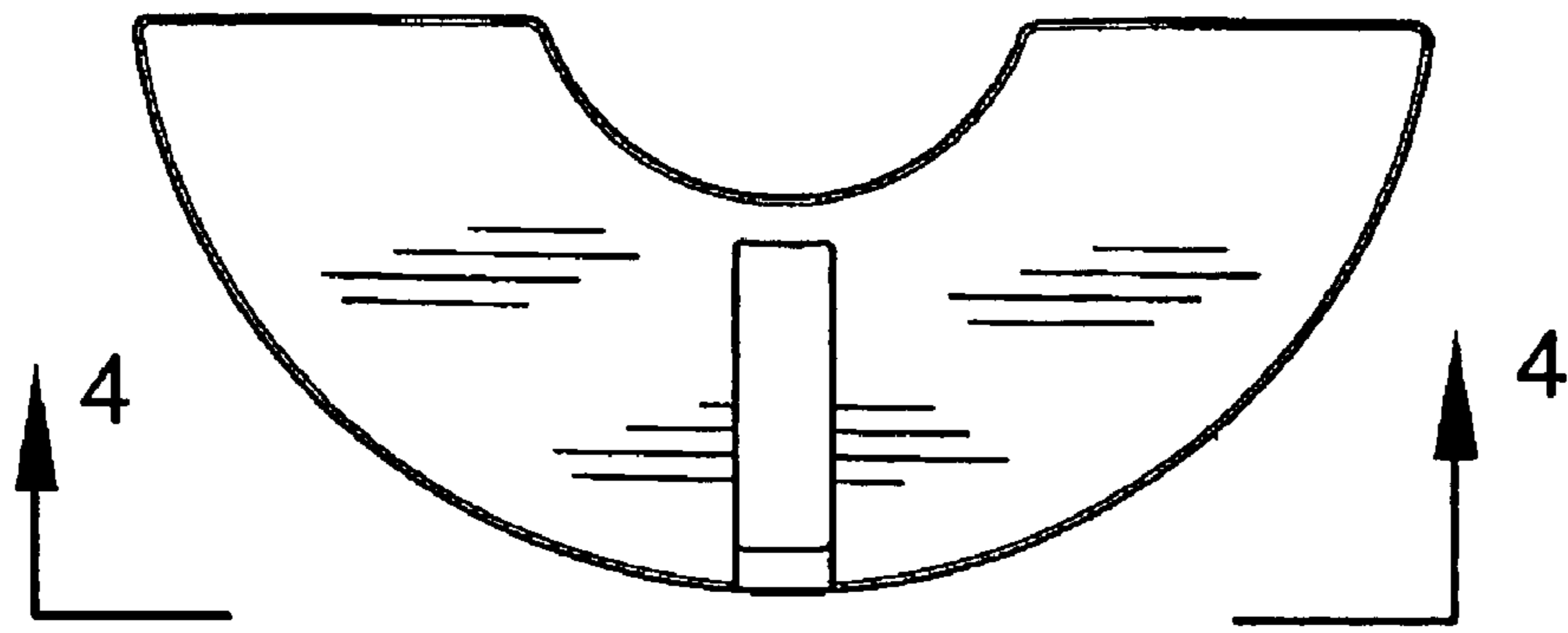


FIG. 3

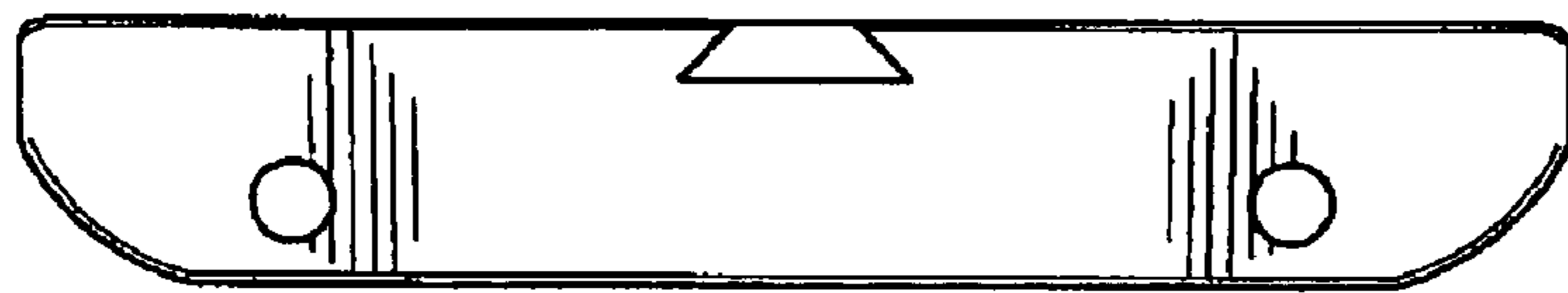


FIG. 4

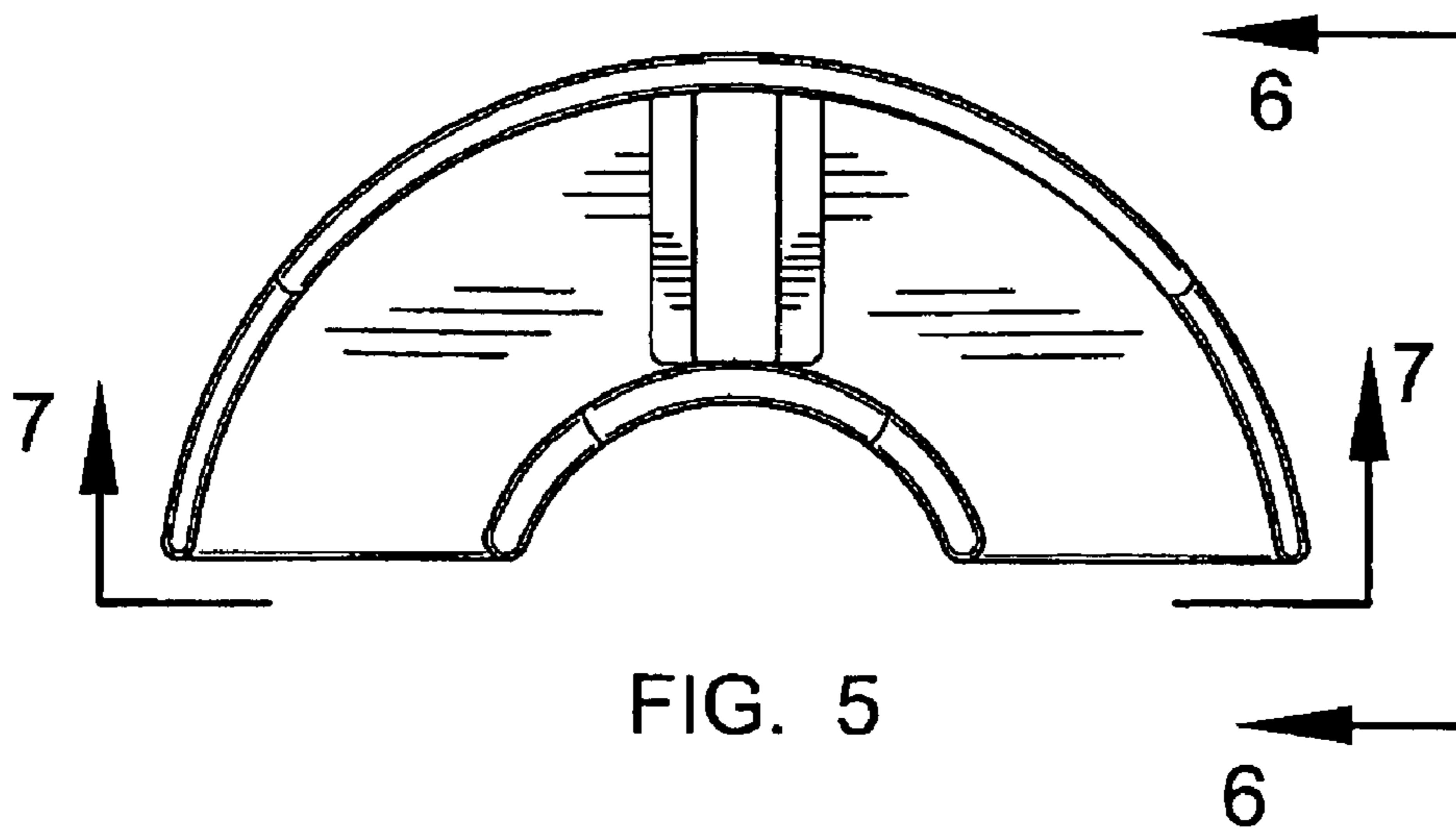


FIG. 5

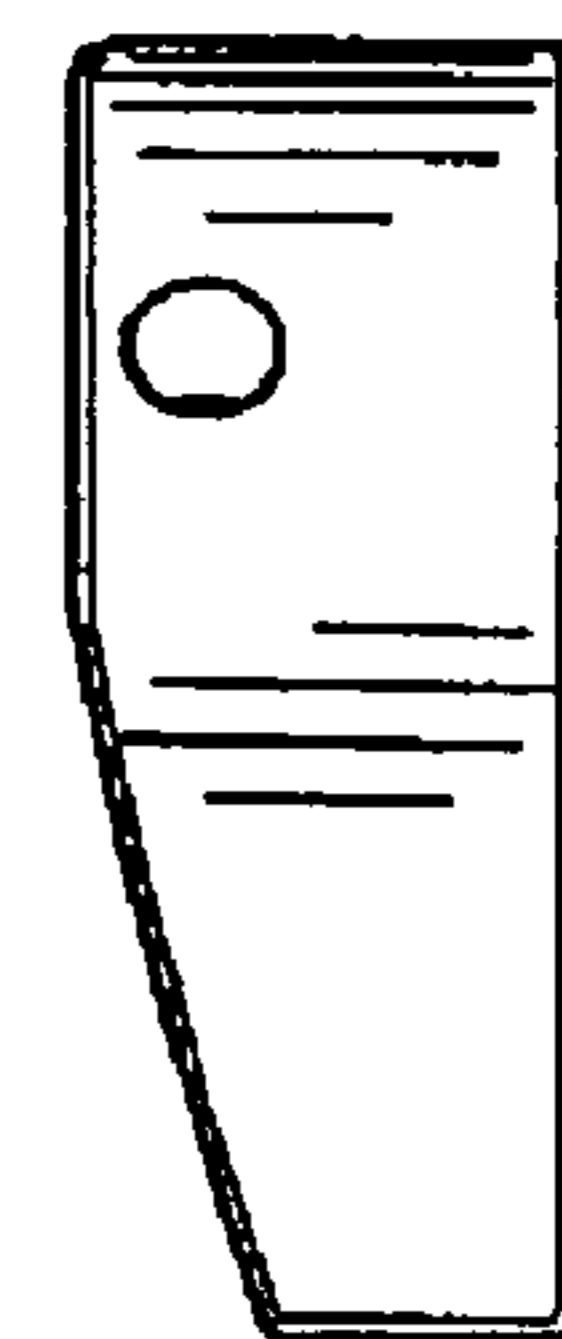


FIG. 6

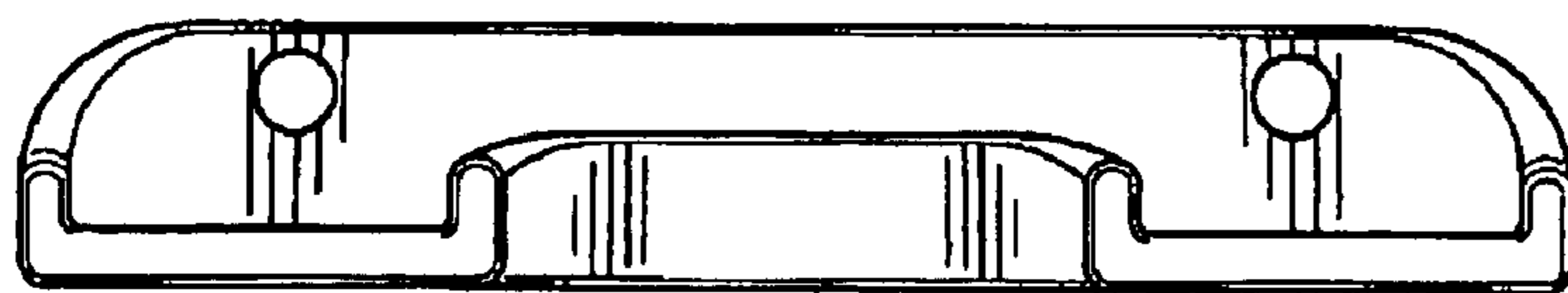


FIG. 7