



US00D597674S

(12) **United States Design Patent**  
**Krishna et al.**

(10) **Patent No.:** **US D597,674 S**

(45) **Date of Patent:** **\*\* Aug. 4, 2009**

(54) **CONCAVE INTERVERTEBRAL DISC PROSTHESIS**

(75) Inventors: **Manoj Krishna**, Yarm (GB); **Tai FrieSEM**, Ingleby Barwick (GB)

(73) Assignee: **Disc Motion Technologies, Inc.**, Boca Raton, FL (US)

(\*\*) Term: **14 Years**

(21) Appl. No.: **29/326,496**

(22) Filed: **Oct. 20, 2008**

**Related U.S. Application Data**

(63) Continuation-in-part of application No. 11/397,756, filed on Apr. 4, 2006, which is a continuation-in-part of application No. 11/203,259, filed on Aug. 12, 2005, which is a continuation-in-part of application No. 10/970,091, filed on Oct. 21, 2004.

(51) **LOC (9) Cl.** ..... **24-02**

(52) **U.S. Cl.** ..... **D24/155**

(58) **Field of Classification Search** ..... D24/155-157; 606/60, 61, 73, 95, 213, 246, 248, 249, 247; 623/17.11, 17.12, 17.13, 17.14, 17.15, 17.16, 623/23.61, 23.56, 247, 213; D15/143, 139  
See application file for complete search history.

(56) **References Cited**

**U.S. PATENT DOCUMENTS**

- 4,863,477 A \* 9/1989 Monson ..... 623/17.12
- 5,074,437 A \* 12/1991 Steffee ..... 623/17.16
- 5,258,031 A 11/1993 Salib et al.
- 5,314,477 A 5/1994 Marnay
- 5,401,269 A 3/1995 Buttner-Janz et al.
- 5,425,773 A 6/1995 Boyd et al.
- 5,507,816 A 4/1996 Bullivant
- 5,514,180 A \* 5/1996 Heggeness et al. .... 623/17.16
- 5,556,431 A 9/1996 Buttner-Janz
- 5,562,738 A 10/1996 Boyd et al.
- 5,669,909 A \* 9/1997 Zdeblick et al. .... 606/247

- 5,676,701 A 10/1997 Yuan et al.
- 5,824,094 A \* 10/1998 Serhan et al. .... 623/17.16
- 5,888,223 A \* 3/1999 Bray, Jr. .... 623/17.16
- 5,899,941 A 5/1999 Nishijima et al.
- D420,373 S \* 2/2000 Bonitz ..... D15/143
- 6,019,792 A 2/2000 Cauthen

(Continued)

*Primary Examiner*—Charles A Rademaker

(74) *Attorney, Agent, or Firm*—Christopher & Weisberg, P.A.

(57) **CLAIM**

The ornamental design for a concave intervertebral disc prosthesis, as shown and described.

**DESCRIPTION**

FIG. 1 is a perspective view of a concave intervertebral disc prosthesis showing our new design;

FIG. 2 is a top plan view thereof;

FIG. 3 is a bottom plan view thereof;

FIG. 4 is a side elevation thereof;

FIG. 5 is a side elevation of the side opposite that shown in FIG. 4;

FIG. 6 is an end elevation thereof;

FIG. 7 is an end elevation of the end opposite that shown in FIG. 6;

FIG. 8 is a perspective view of a modified embodiment of the design shown in FIGS. 1 through 7;

FIG. 9 is a top plan view thereof;

FIG. 10 is a bottom plan view thereof;

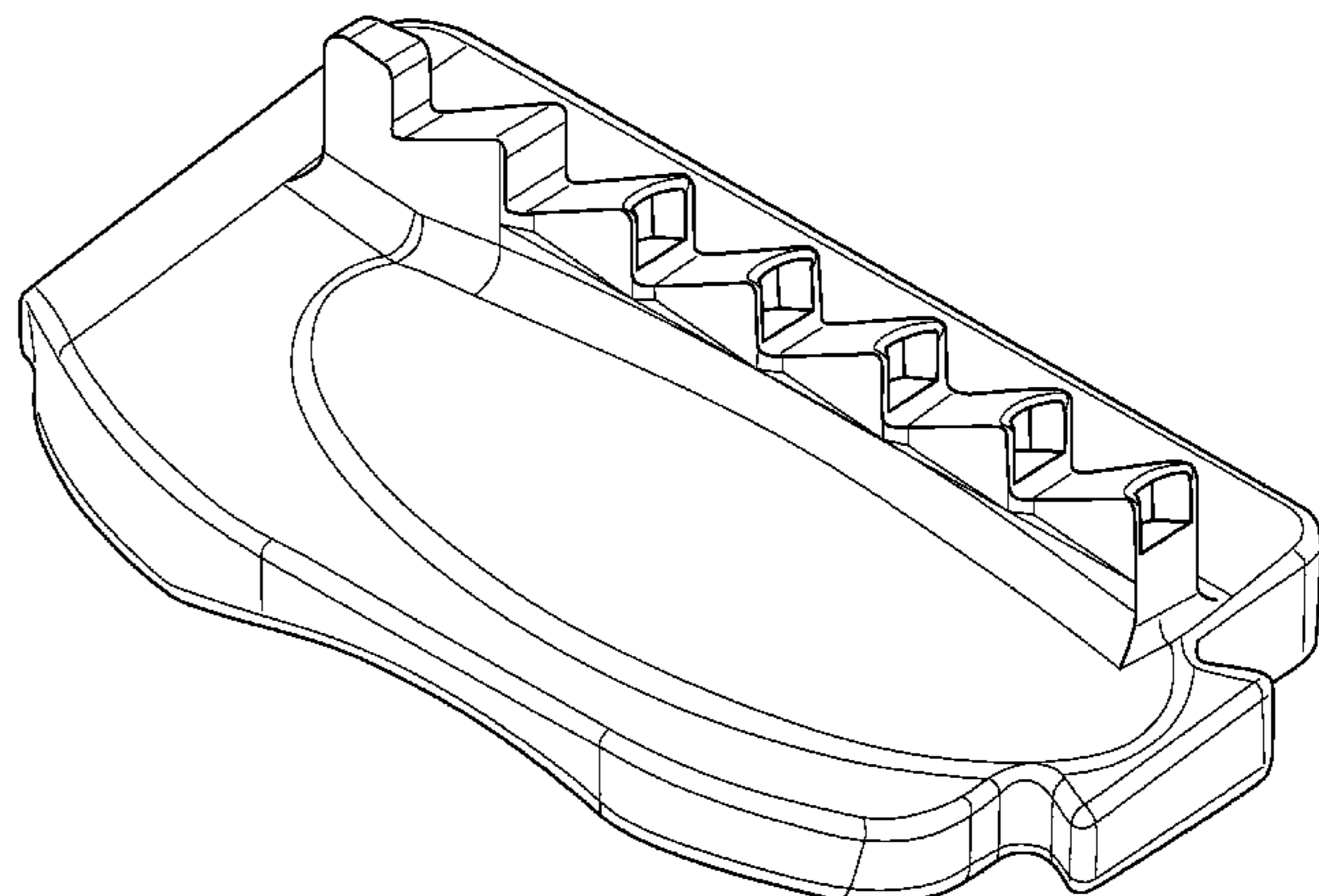
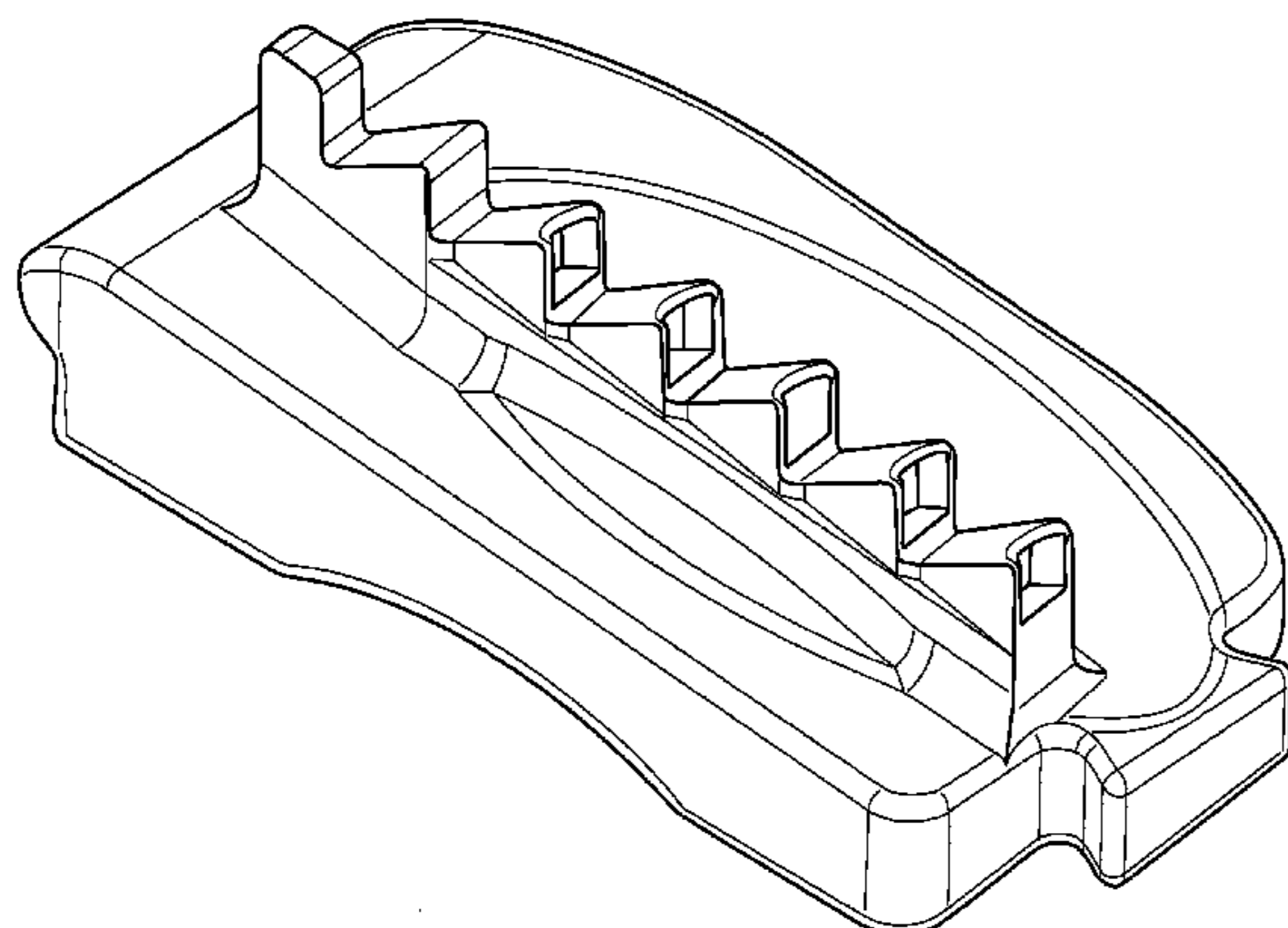
FIG. 11 is a side elevation thereof;

FIG. 12 is a side elevation of the side opposite that shown in FIG. 11;

FIG. 13 is an end elevation thereof; and,

FIG. 14 is an end elevation of the end opposite that shown in FIG. 13.

**1 Claim, 10 Drawing Sheets**

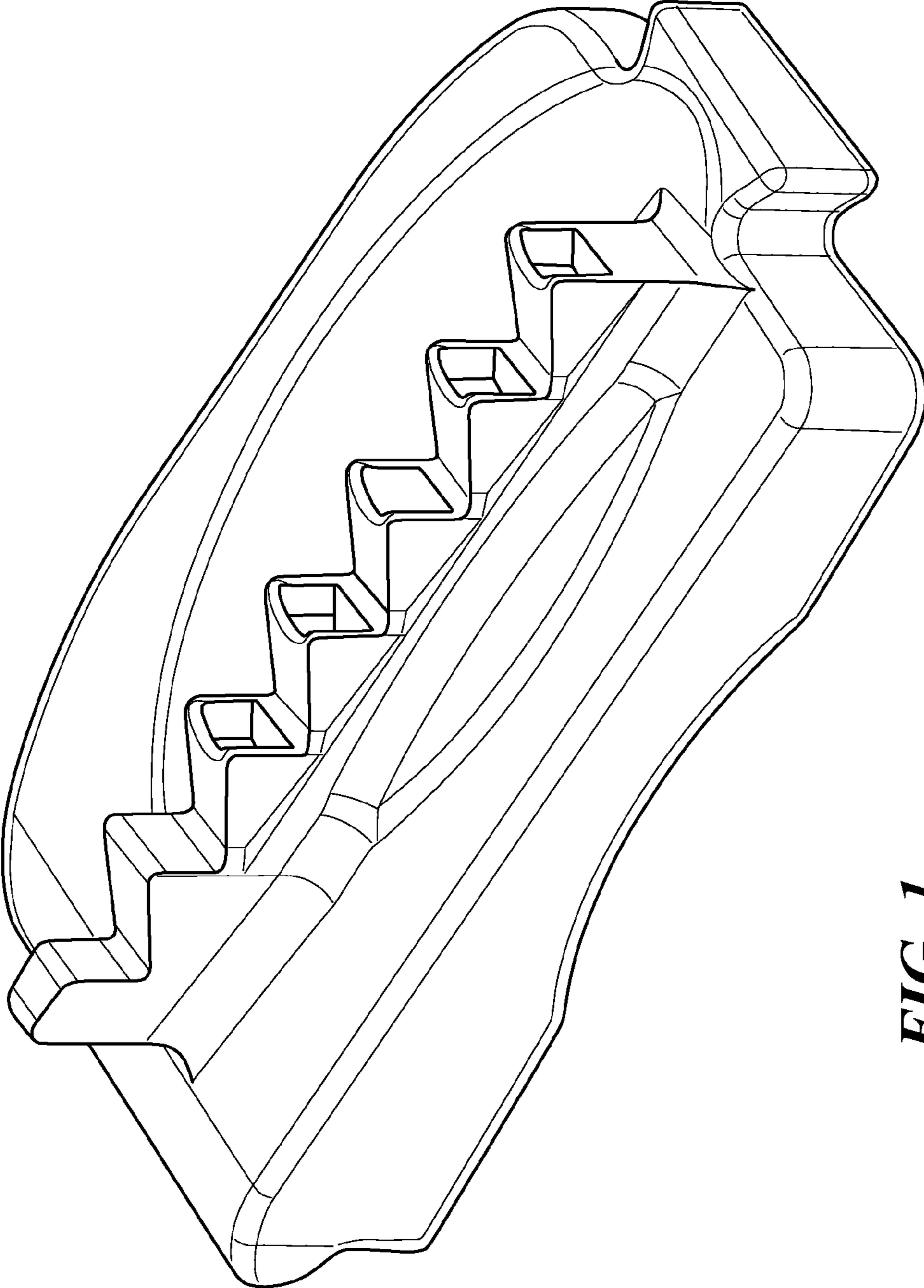


# US D597,674 S

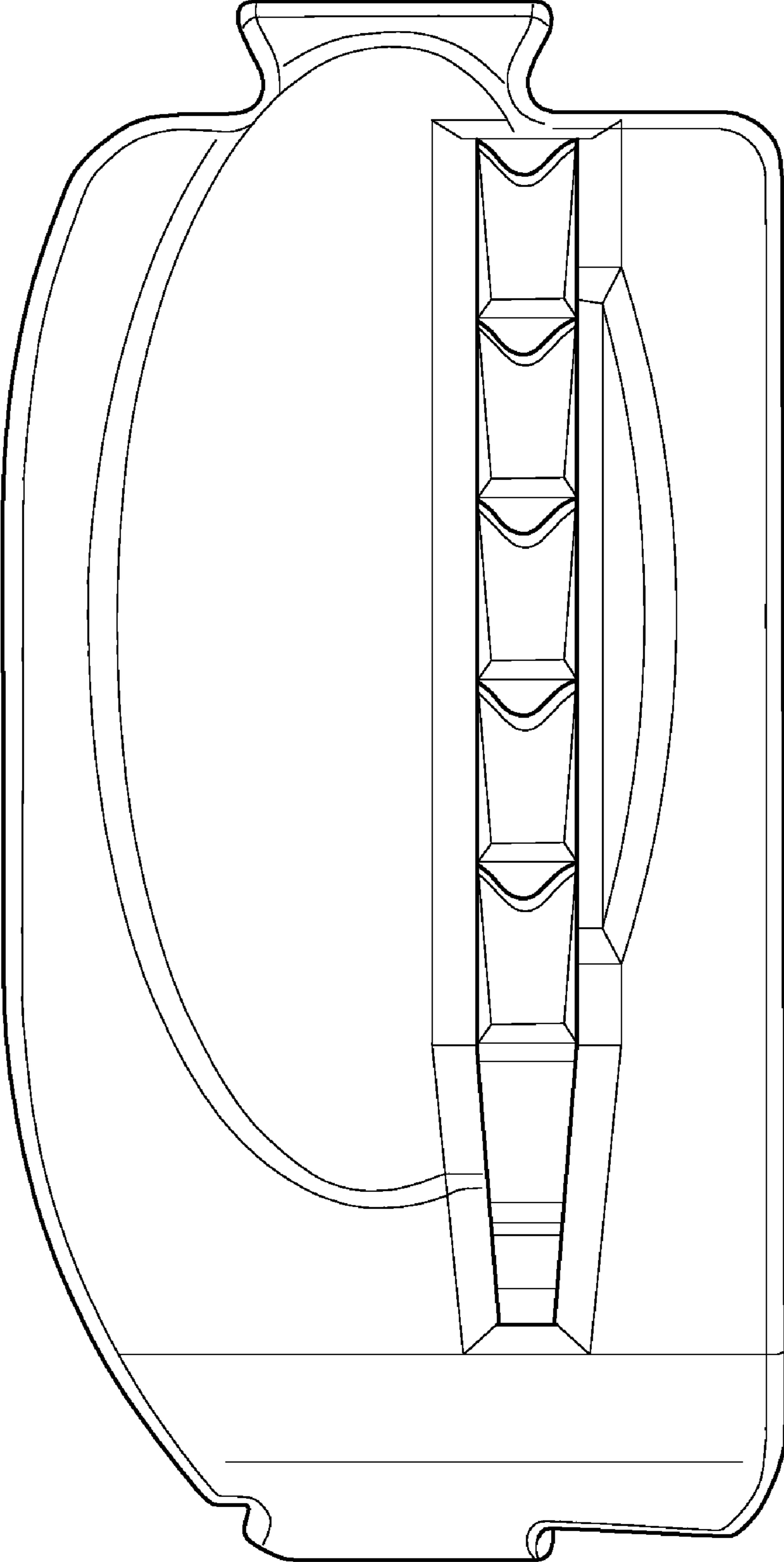
Page 2

U.S. PATENT DOCUMENTS							
6,039,763	A	3/2000	Shelokov	7,001,432	B2	2/2006	Keller et al.
6,063,121	A	5/2000	Xavier et al.	7,025,787	B2	4/2006	Bryan et al.
6,113,637	A	9/2000	Gill et al.	7,037,340	B2	5/2006	Gau
6,228,118	B1	5/2001	Gordon	7,048,764	B2	5/2006	Ferree
6,368,350	B1	4/2002	Erickson et al.	7,052,515	B2	5/2006	Simonson
6,402,750	B1	6/2002	Atkinson et al.	7,083,649	B2	8/2006	Zucherman et al.
6,402,785	B1 *	6/2002	Zdeblick et al. .... 623/17.16	7,141,068	B2 *	11/2006	Ross et al. .... 623/17.11
6,440,168	B1	8/2002	Cauthen	7,204,852	B2	4/2007	Marnay et al.
6,520,996	B1	2/2003	Manasas et al.	7,270,681	B2	9/2007	Cauthen
6,527,804	B1	3/2003	Gauchet et al.	D566,842	S *	4/2008	Robie ..... D24/155
6,579,320	B1	6/2003	Gauchet et al.	D585,553	S *	1/2009	Valois ..... D24/155
6,679,915	B1	1/2004	Cauthen	2003/0109928	A1 *	6/2003	Pasquet et al. .... 623/17.11
6,682,562	B2	1/2004	Viart et al.	2004/0010316	A1	1/2004	William et al.
6,706,068	B2	3/2004	Ferree	2004/0158254	A1	8/2004	Eisermann
6,726,720	B2	4/2004	Ross et al.	2004/0176772	A1	9/2004	Zubok et al.
6,733,532	B1	5/2004	Gauchet et al.	2005/0043800	A1	2/2005	Paul et al.
6,770,095	B2	8/2004	Grinberg et al.	2005/0154461	A1	7/2005	Humphreys et al.
6,802,867	B2	10/2004	Manasas et al.	2005/0154464	A1	7/2005	Humphreys et al.
D497,993	S *	11/2004	Dixon et al. .... D24/155	2005/0154466	A1	7/2005	Humphreys et al.
6,936,071	B1	8/2005	Marnay et al.	2005/0154467	A1	7/2005	Peterman et al.
6,972,037	B2	12/2005	Zubok et al.	2005/0171610	A1	8/2005	Humphreys et al.
6,986,789	B2	1/2006	Schultz et al.	2007/0179616	A1	8/2007	Braddock, Jr. et al.
6,994,727	B2	2/2006	Khandkar et al.	2007/0270862	A1	11/2007	Yu et al.

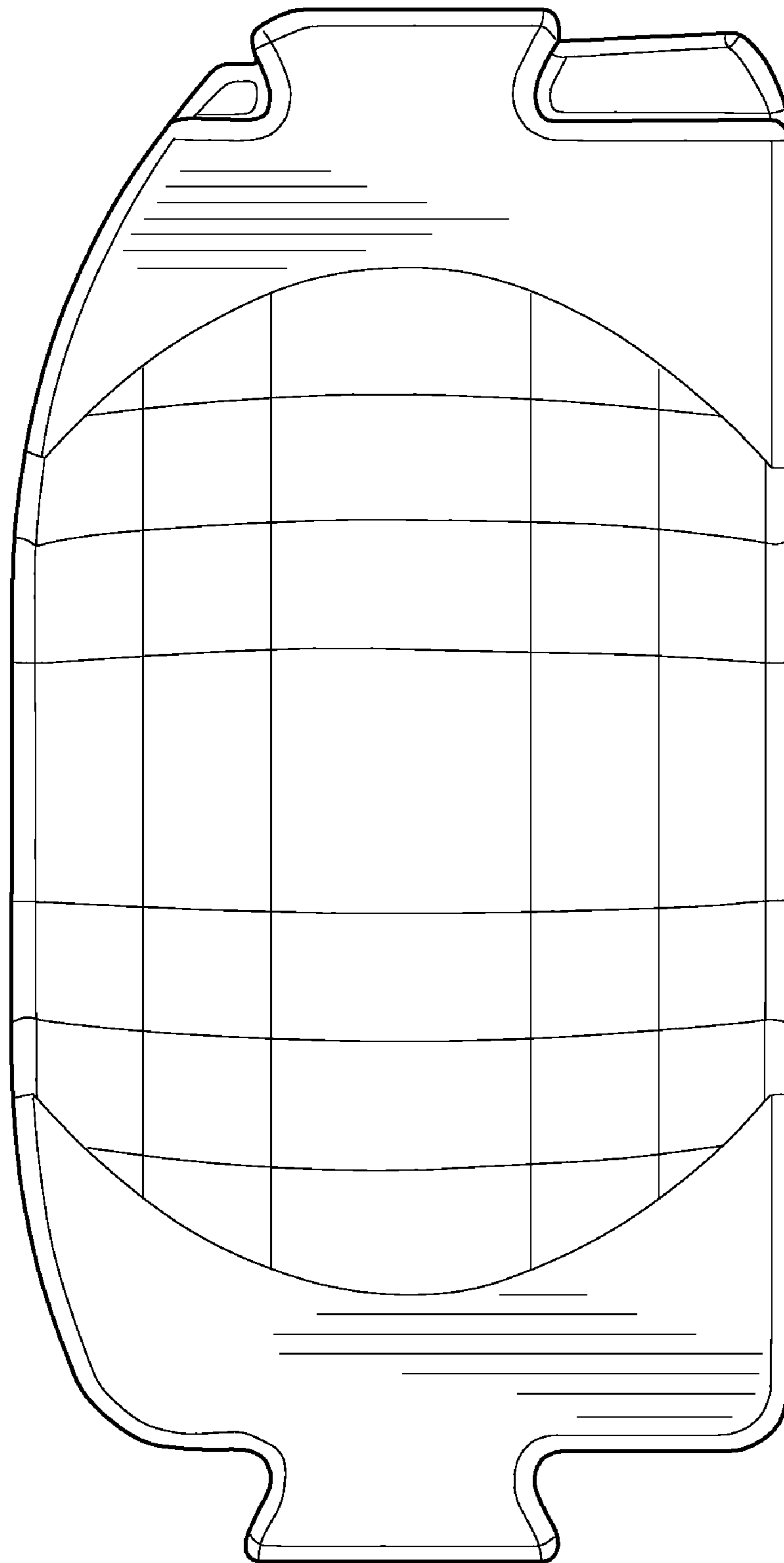
\* cited by examiner



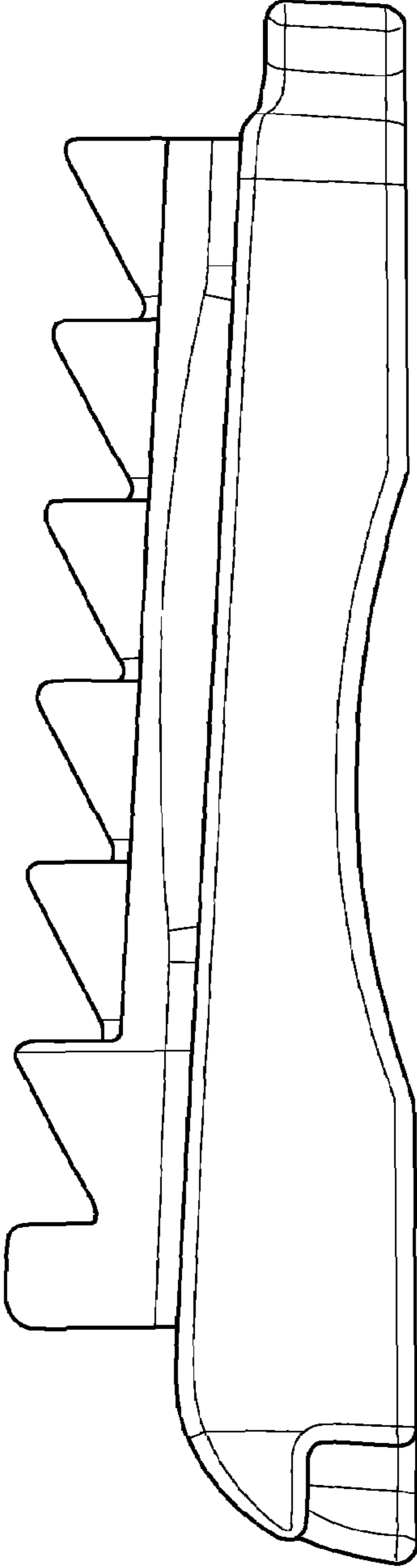
**FIG. 1**



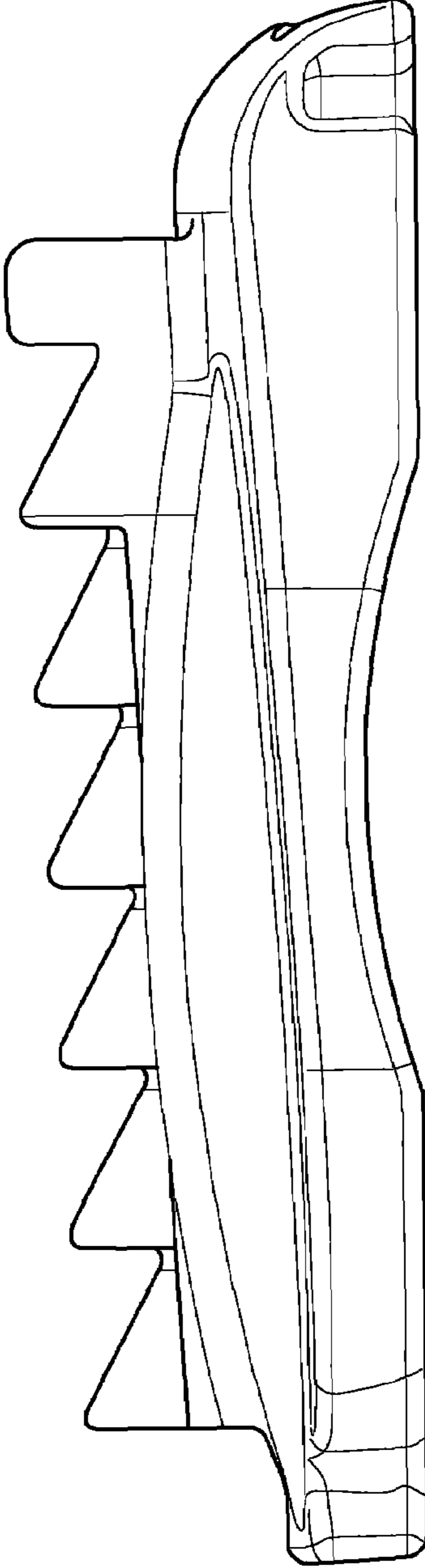
**FIG. 2**



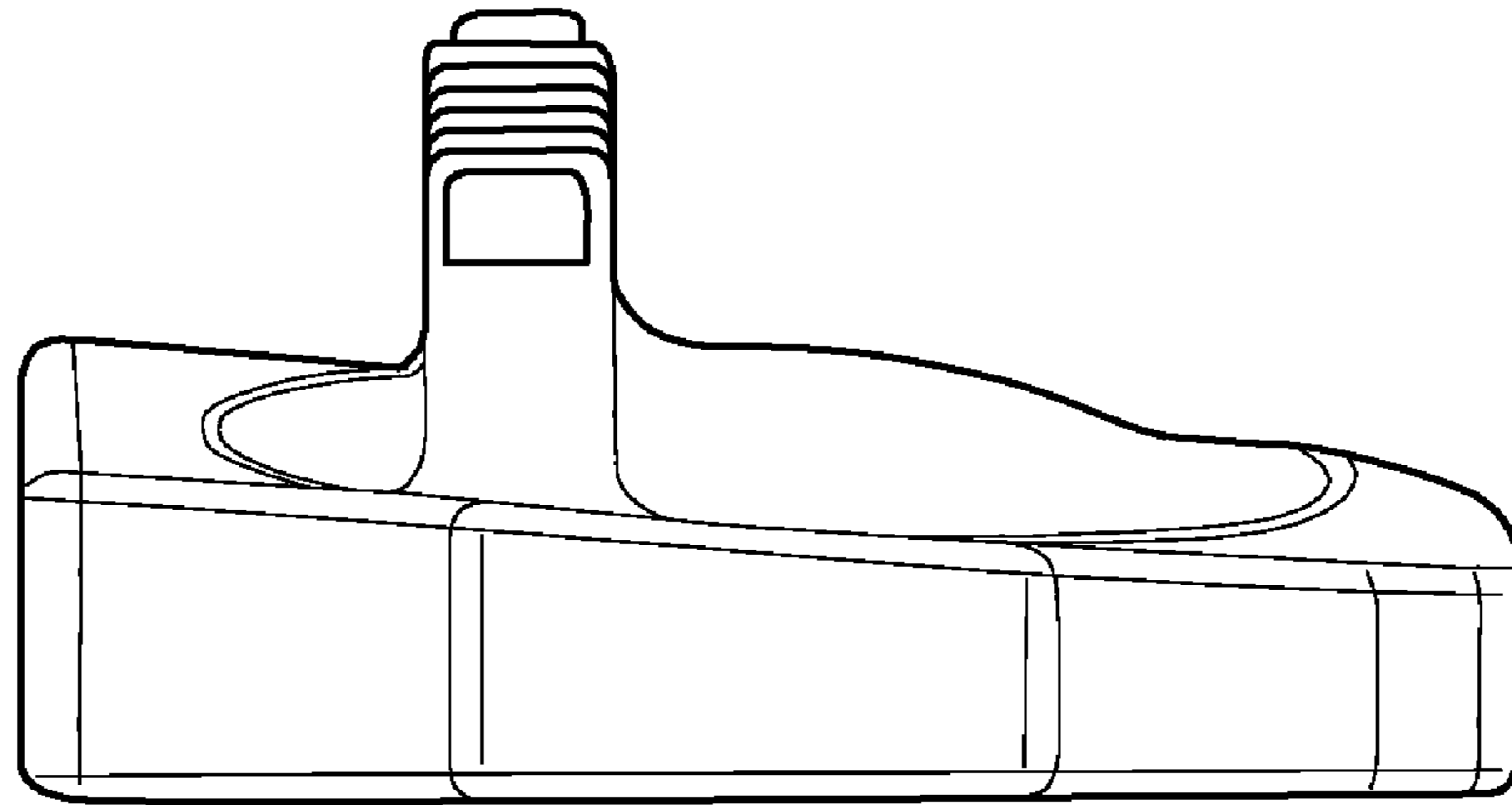
**FIG. 3**



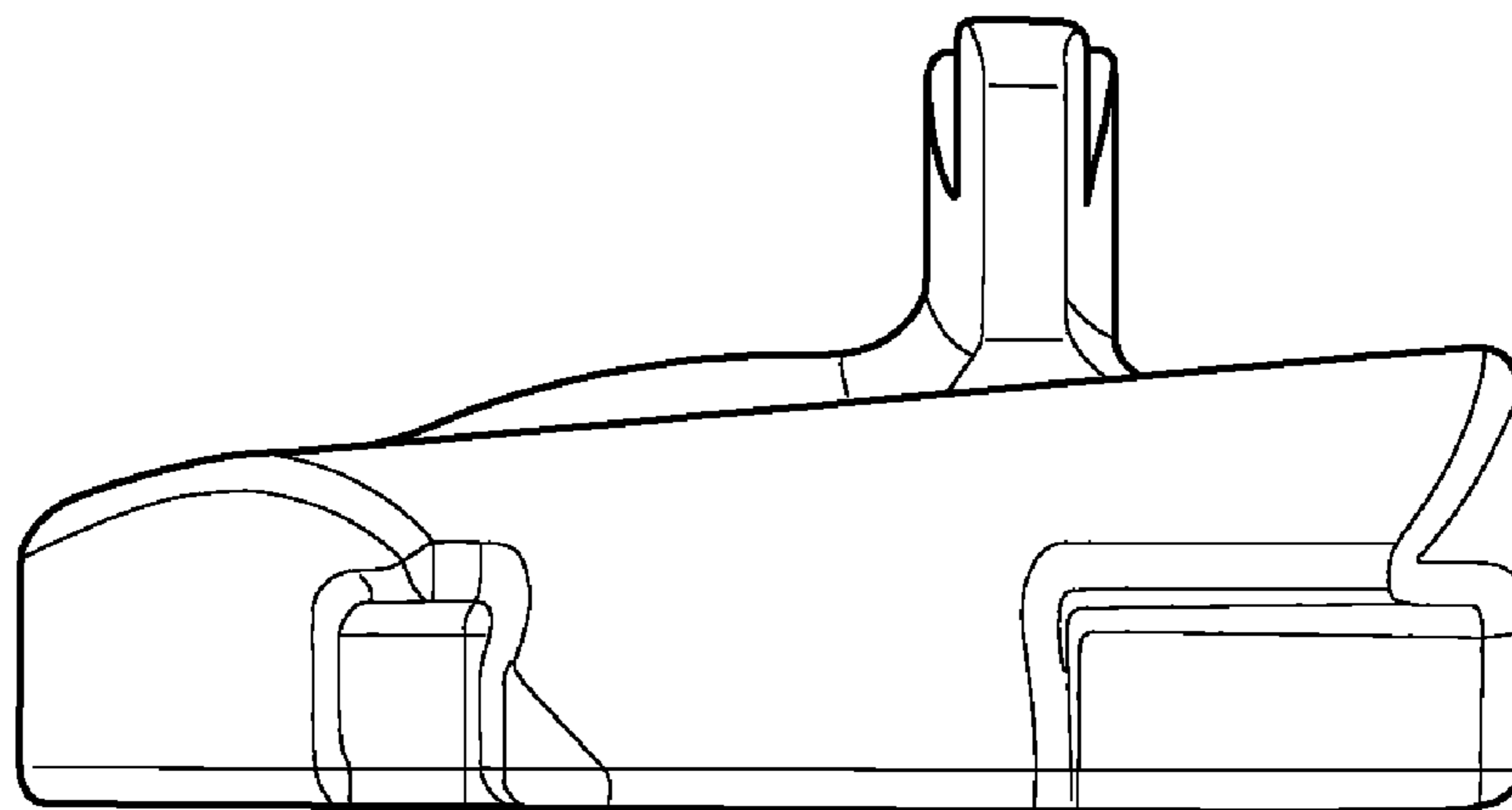
**FIG. 4**



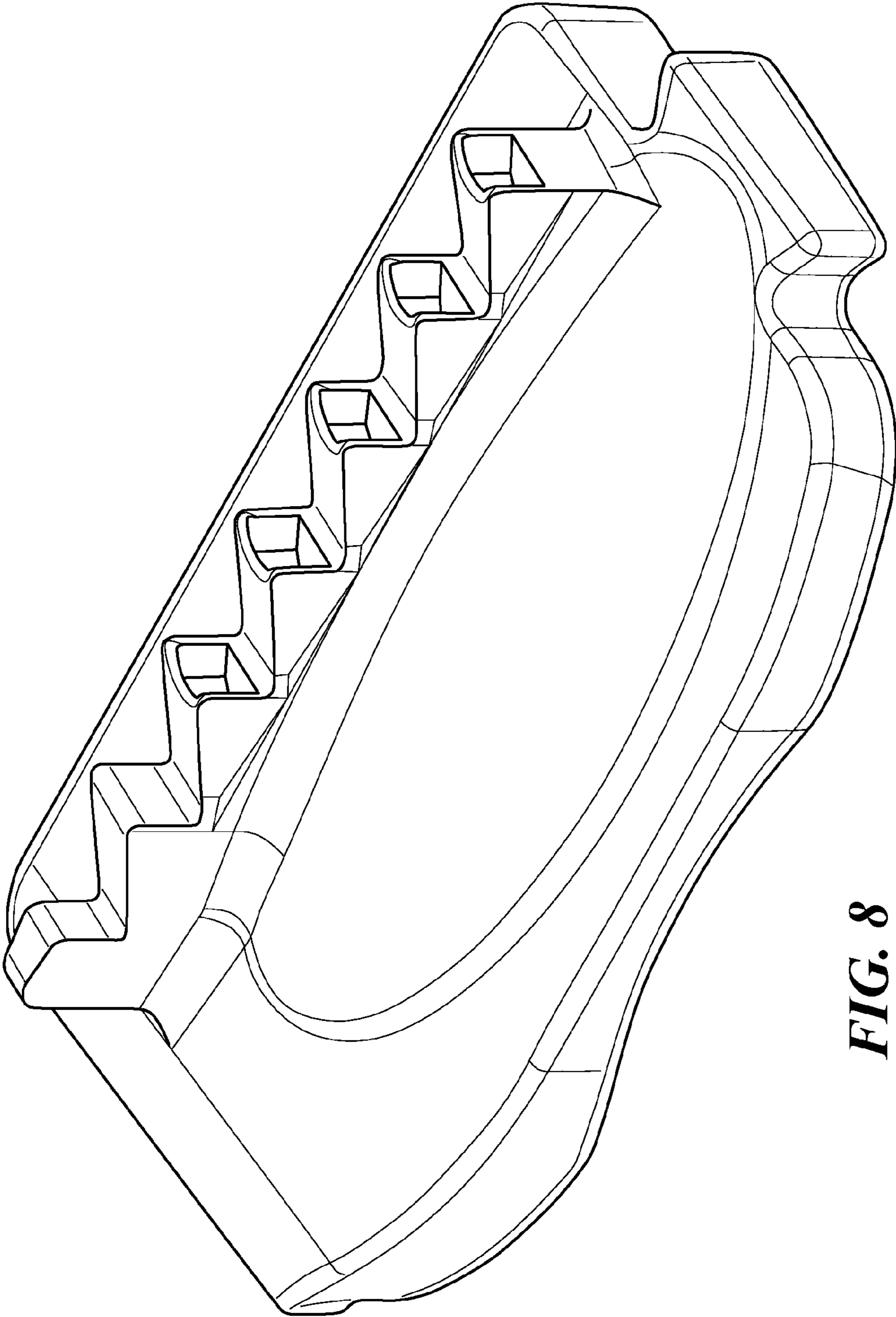
**FIG. 5**



**FIG. 6**

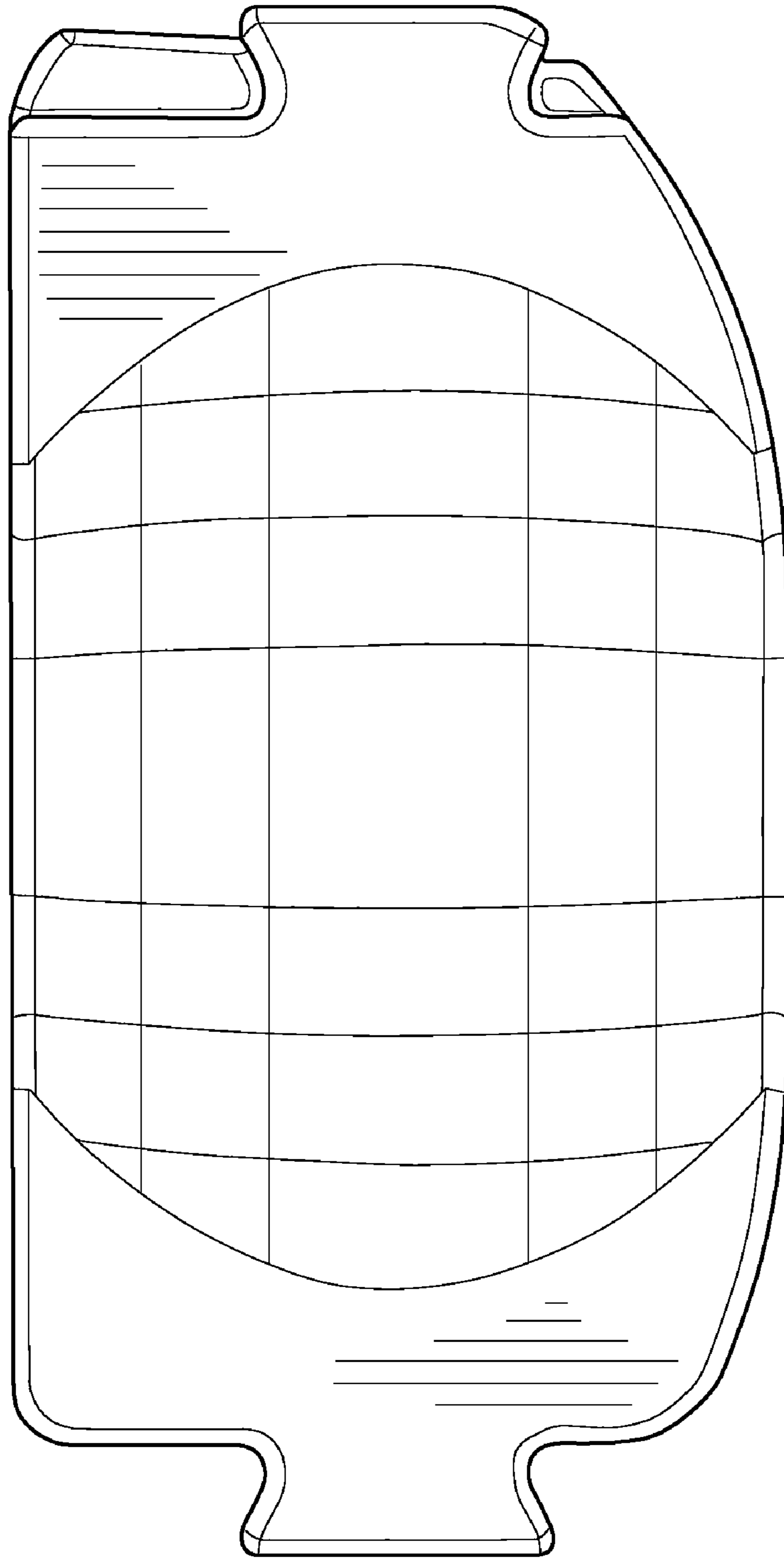


**FIG. 7**

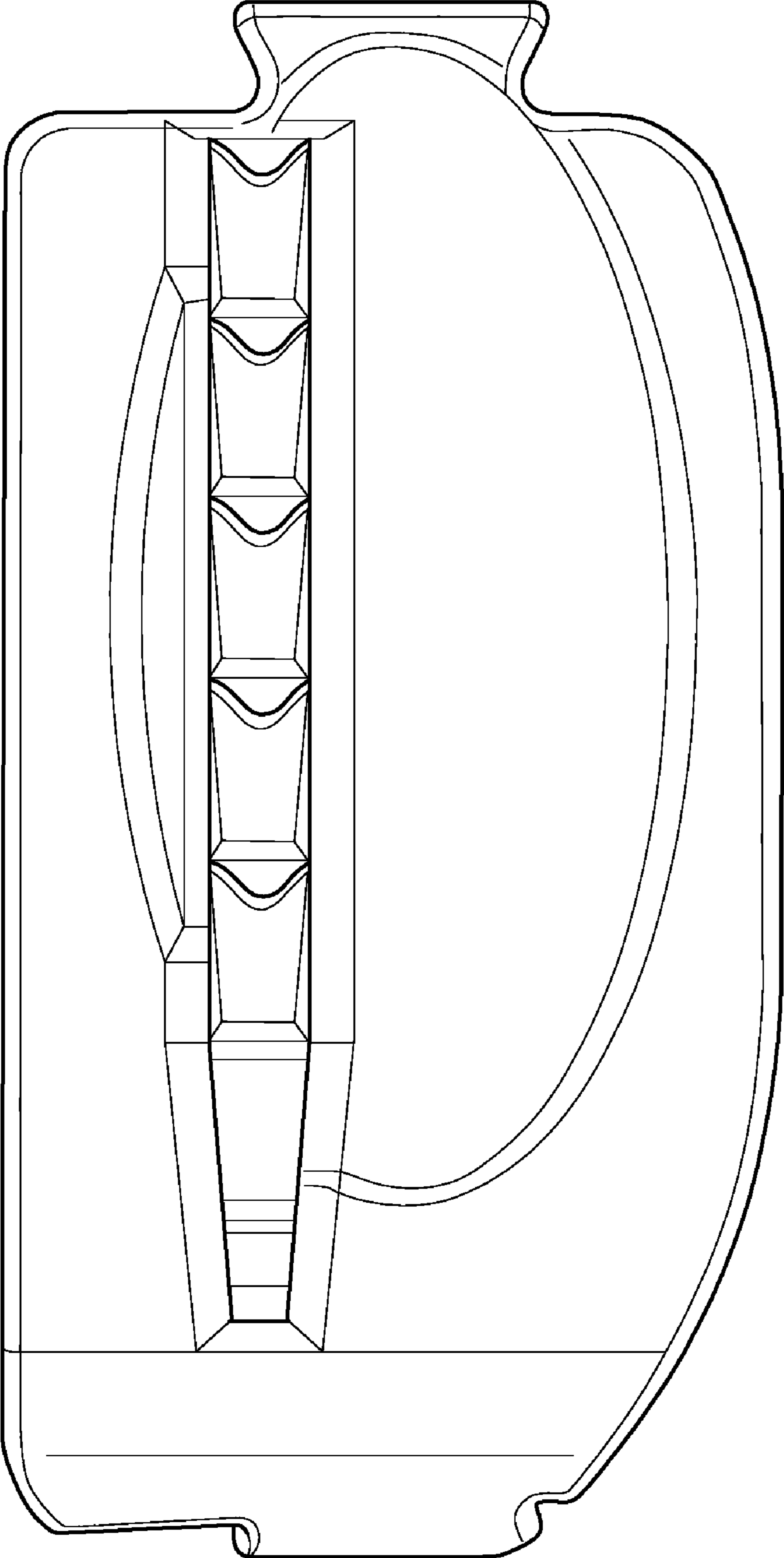


**FIG. 8**

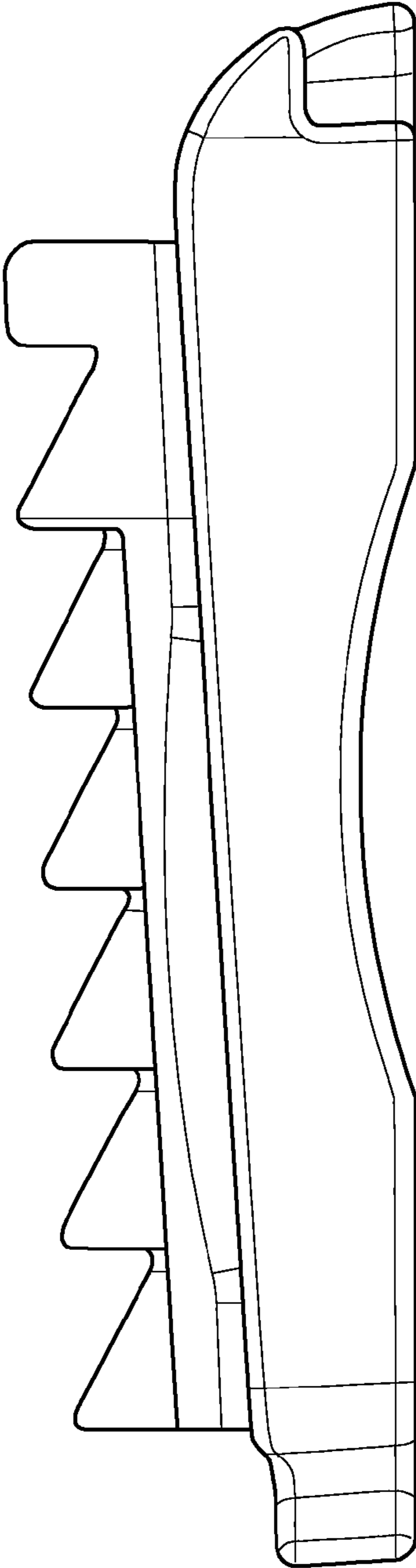




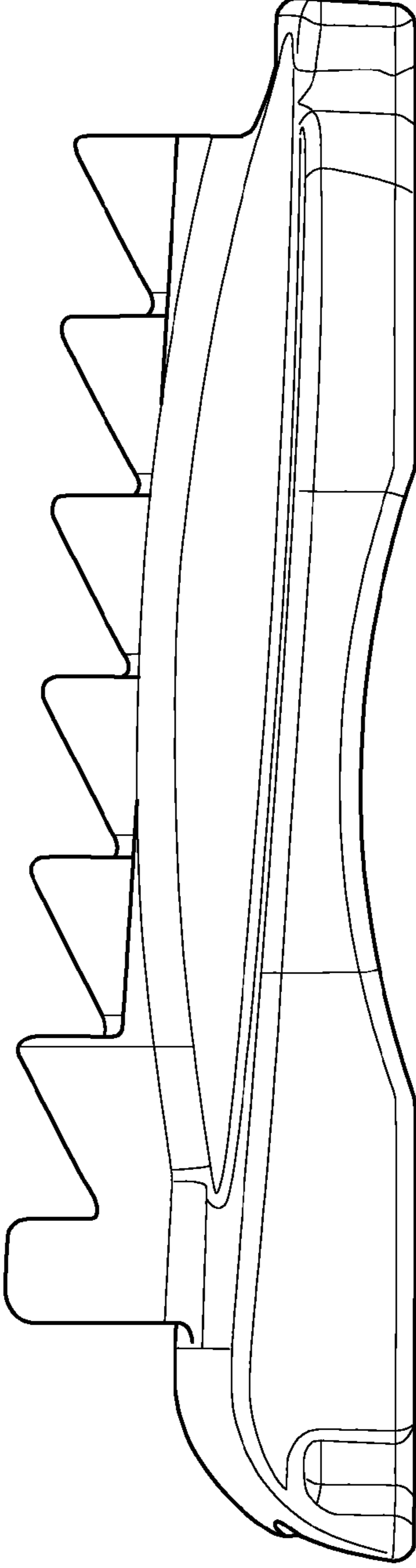
**FIG. 9**



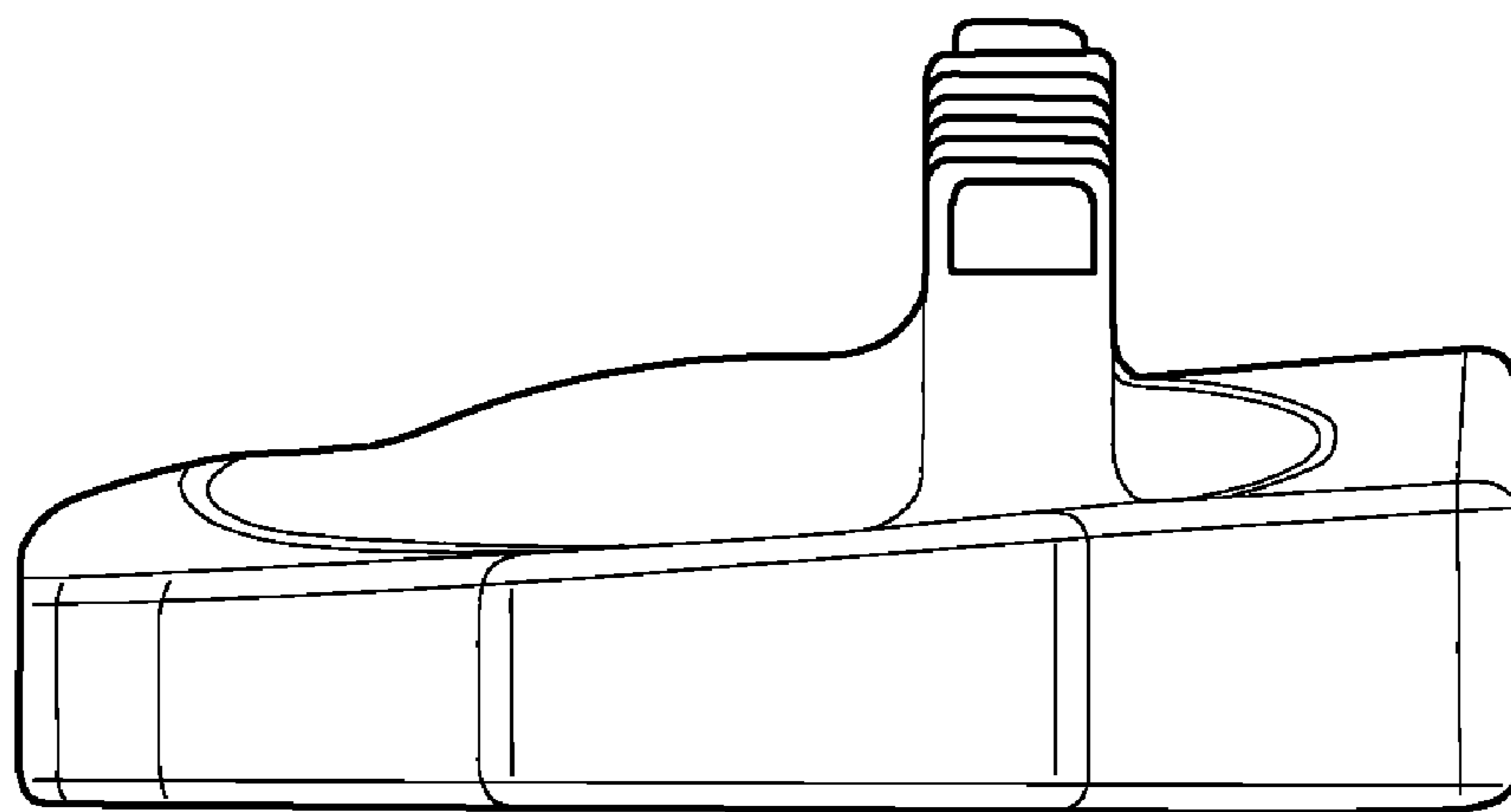
**FIG. 10**



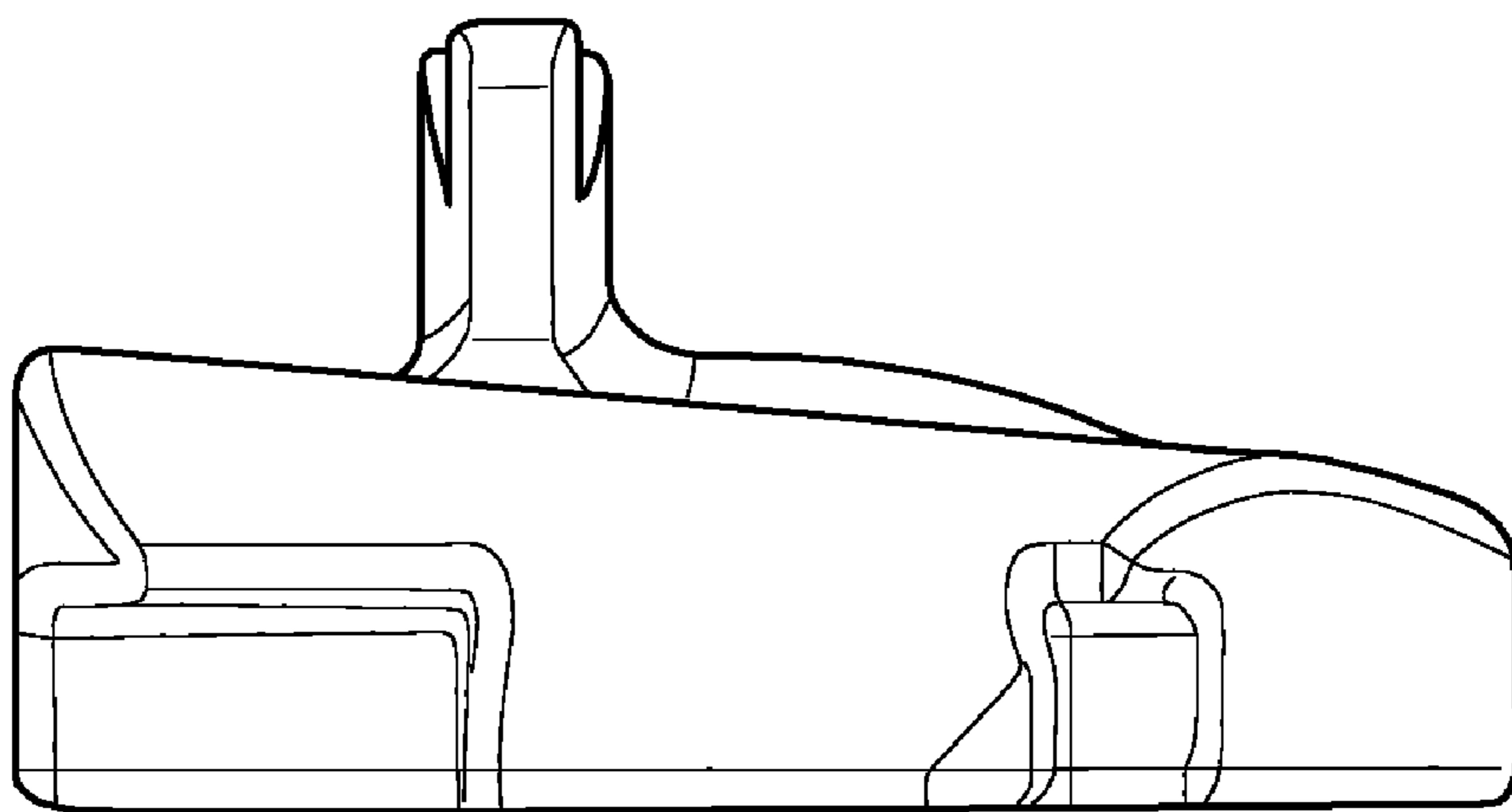
**FIG. 11**



**FIG. 12**



***FIG. 13***



***FIG. 14***