



US00D597673S

(12) **United States Design Patent**
Smisson, III et al.

(10) **Patent No.:** **US D597,673 S**
(45) **Date of Patent:** **** Aug. 4, 2009**

(54) **SHIELDED SPINAL STABILIZATION PLATE**

7,488,321 B2 * 2/2009 Lin 606/71

(75) Inventors: **Hugh F. Smisson, III**, Macon, GA (US);
David C. Field, Snellville, GA (US)

* cited by examiner

Primary Examiner—Charles A Rademaker

(73) Assignee: **Southern Spine, LLC**, Macon, GA (US)

(74) *Attorney, Agent, or Firm*—Sutherland Asbill & Brennan LLP

(**) Term: **14 Years**

(57) **CLAIM**

(21) Appl. No.: **29/299,988**

The ornamental design for a shielded spinal stabilization plate, as shown and described.

(22) Filed: **Jan. 8, 2008**

(51) **LOC (9) Cl.** **24-03**

(52) **U.S. Cl.** **D24/155**

(58) **Field of Classification Search** D24/155-157;
606/60, 61, 73, 95, 213, 281, 292, 70, 71,
606/76, 246, 248, 249, 247, 280, 283; 623/17.11,
623/17.12, 17.13, 17.14, 17.15, 17.16, 23.61,
623/23.56, 247, 213, 286; D15/143, 139;
D8/382, 394

DESCRIPTION

See application file for complete search history.

FIG. 1 is a top perspective view of a shielded spinal stabilization plate with both sides in open positions showing our new design;

FIG. 2 is a top plan view thereof;

FIG. 3 is a side elevation thereof;

FIG. 4 is an end elevation thereof;

FIG. 5 is a bottom plan view thereof;

FIG. 6 is a top perspective view thereof with one shield in an open position and one shield in a closed position;

FIG. 7 is a top plan view thereof;

FIG. 8 is a side elevation thereof;

FIG. 9 is a left end elevation thereof;

FIG. 10 is a right end elevation thereof;

FIG. 11 is a bottom plan view thereof;

FIG. 12 is a top perspective view thereof with both shields in closed positions;

FIG. 13 is a top plan view thereof;

FIG. 14 is a side elevation thereof;

FIG. 15 is an end elevation thereof; and,

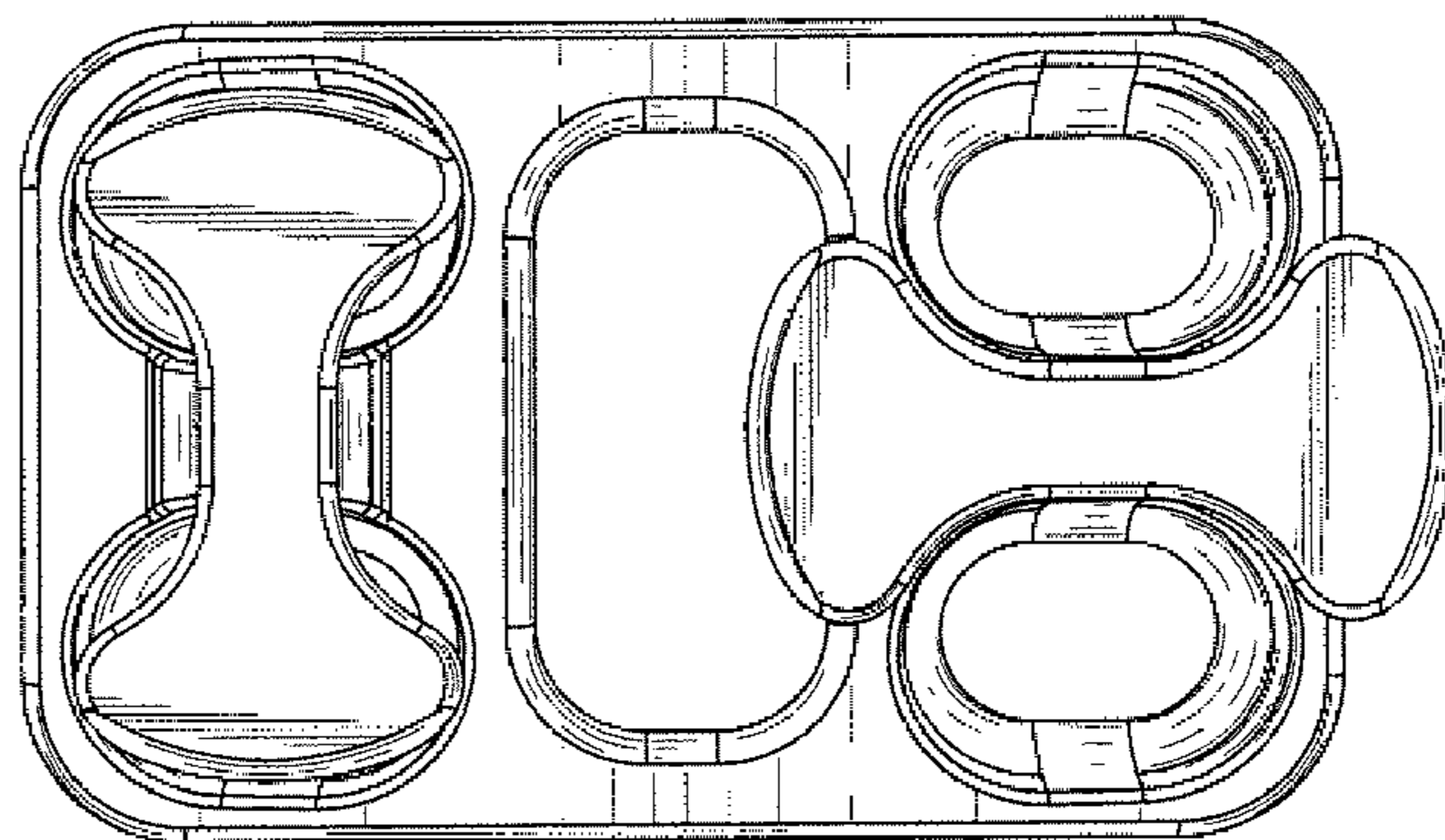
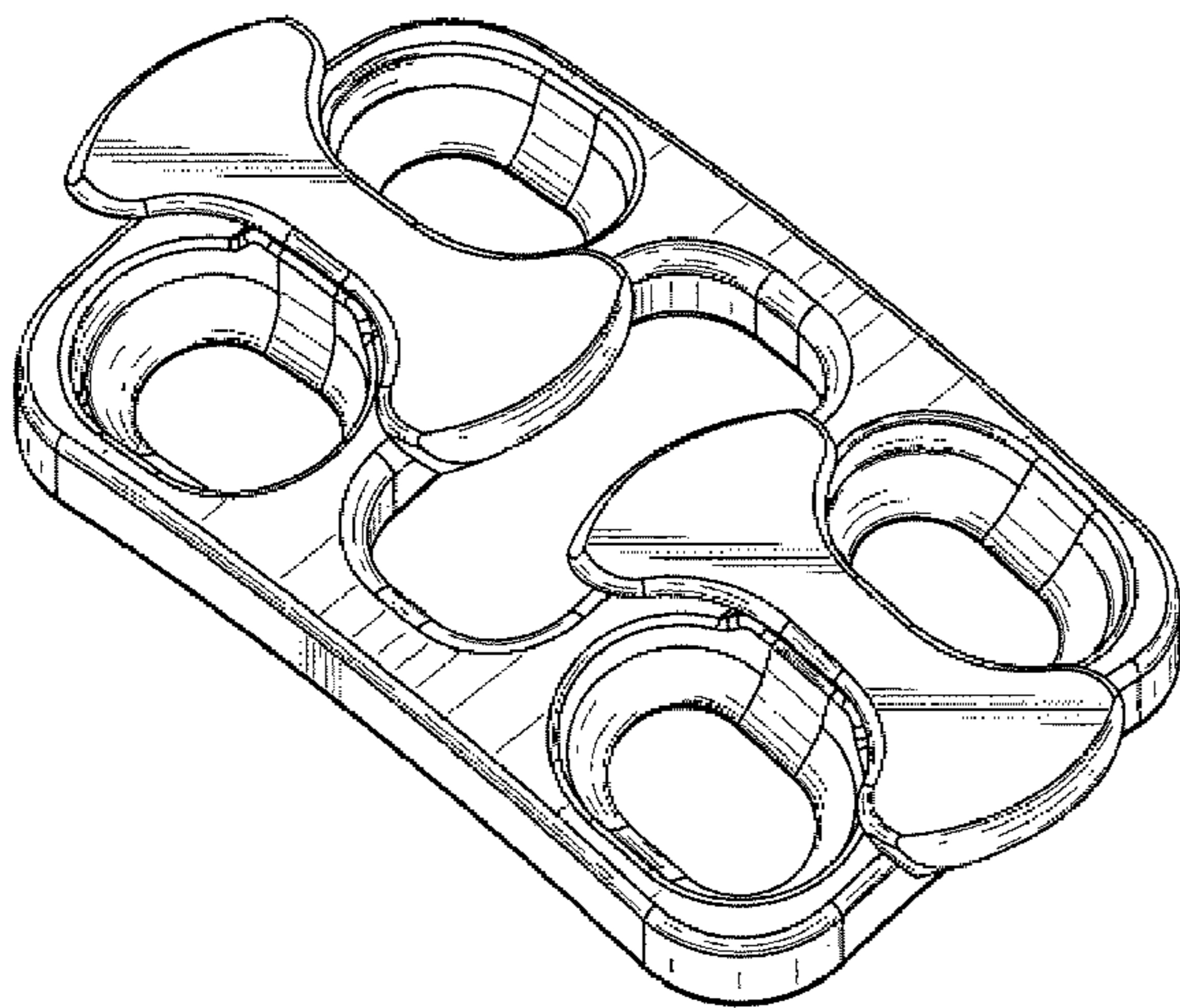
FIG. 16 is a bottom plan view thereof.

(56) **References Cited**

U.S. PATENT DOCUMENTS

4,503,848	A *	3/1985	Caspar et al.	606/280
5,681,313	A *	10/1997	Diez	606/70
6,206,882	B1 *	3/2001	Cohen	606/283
6,428,542	B1 *	8/2002	Michelson	606/70
6,652,525	B1 *	11/2003	Assaker et al.	606/296
D505,205	S *	5/2005	Freid	D24/155
6,890,335	B2 *	5/2005	Grabowski et al.	606/71
6,936,051	B2 *	8/2005	Michelson	606/71
6,945,973	B2 *	9/2005	Bray	606/71
7,001,389	B1 *	2/2006	Navarro et al.	606/71
7,186,256	B2 *	3/2007	Michelson	606/71
7,220,263	B2 *	5/2007	Cordaro	606/70
7,306,605	B2 *	12/2007	Ross	606/71
7,318,825	B2 *	1/2008	Butler et al.	606/71
7,322,984	B2 *	1/2008	Doubler et al.	606/70
7,438,715	B2 *	10/2008	Doubler et al.	606/71

1 Claim, 6 Drawing Sheets



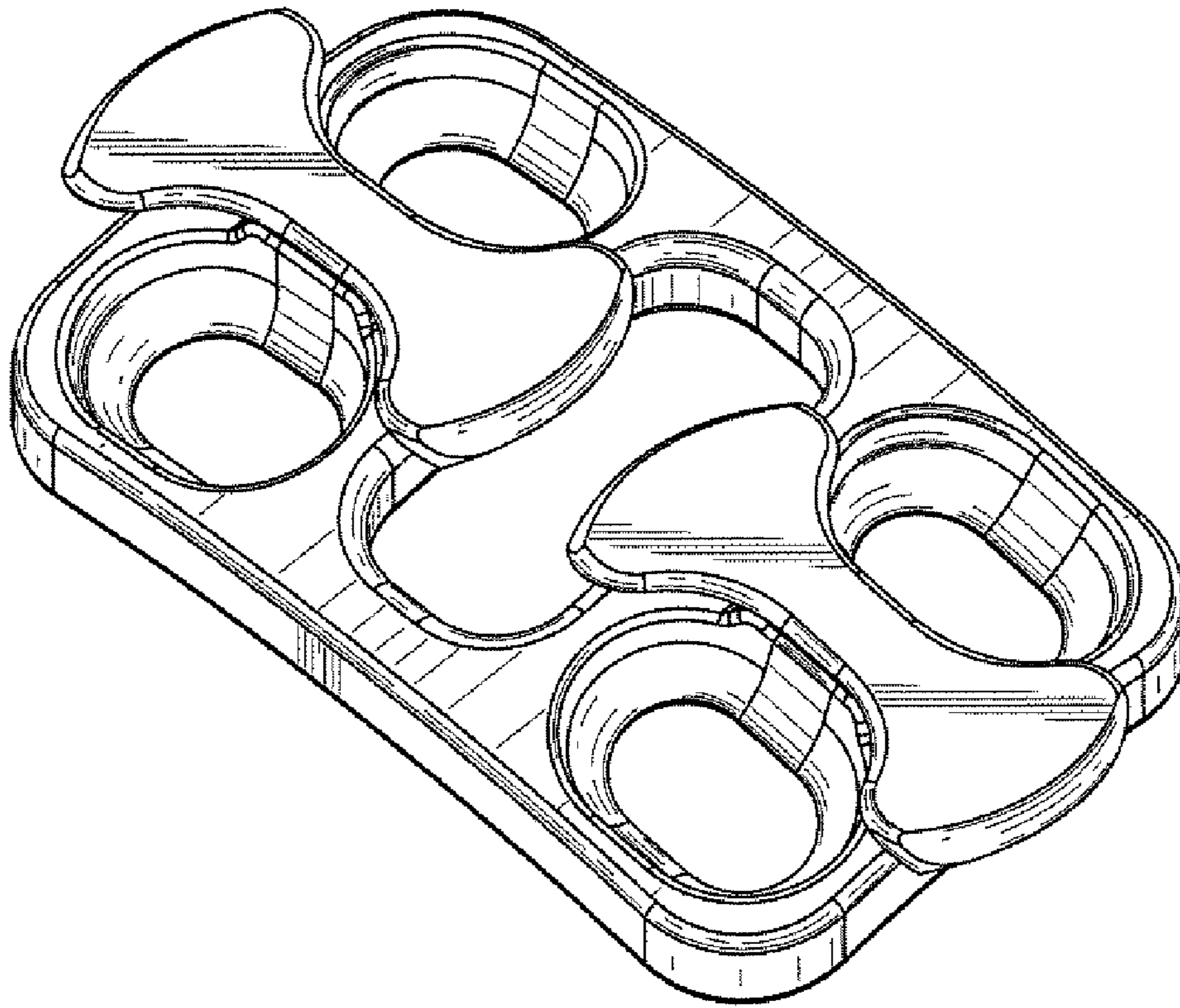


Fig. 1

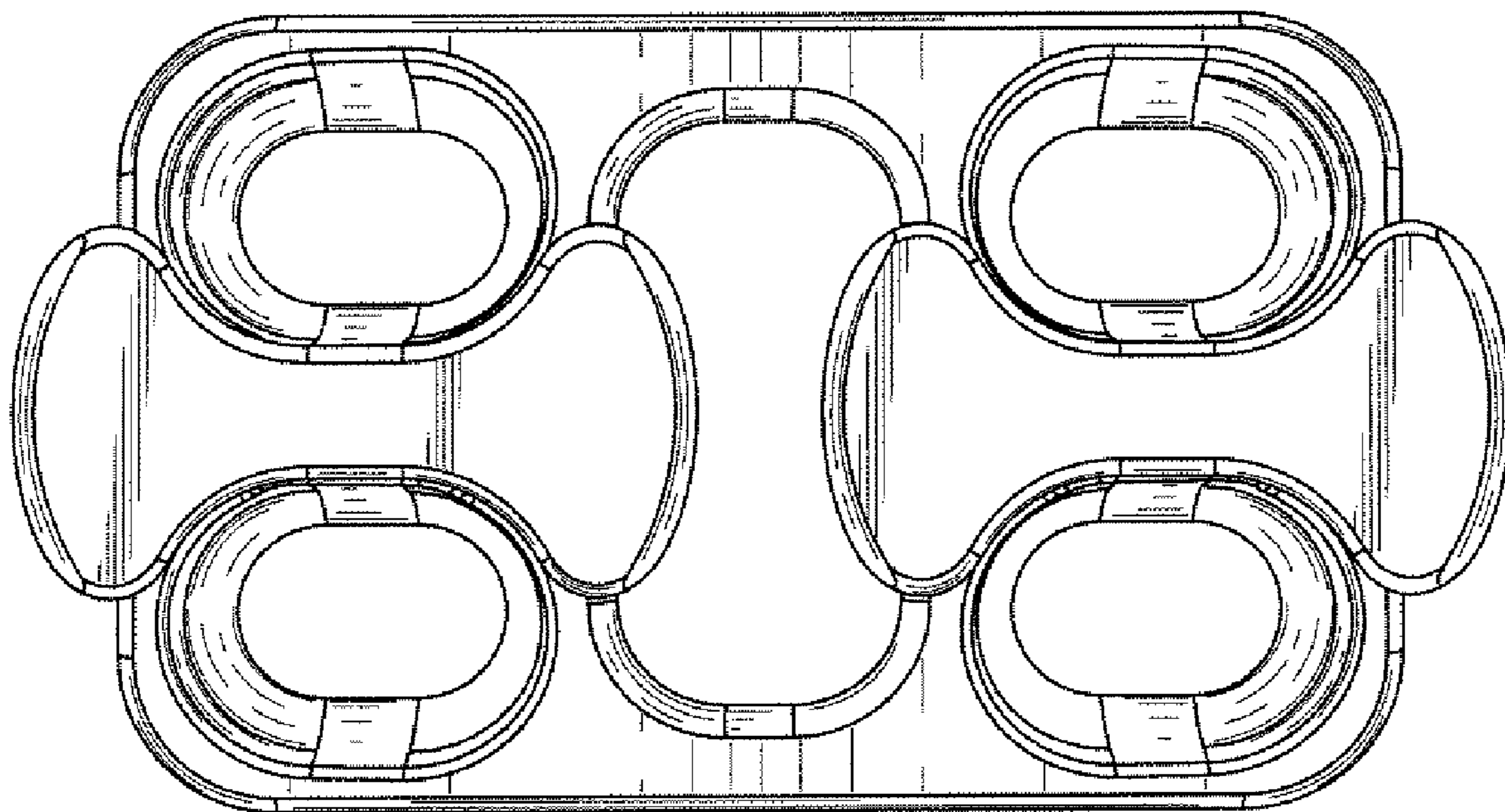


Fig. 2

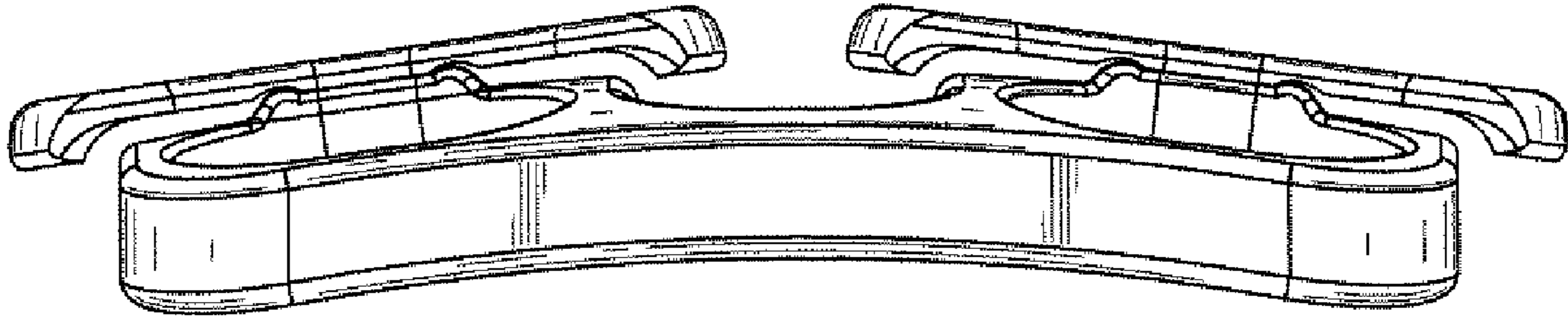


Fig. 3

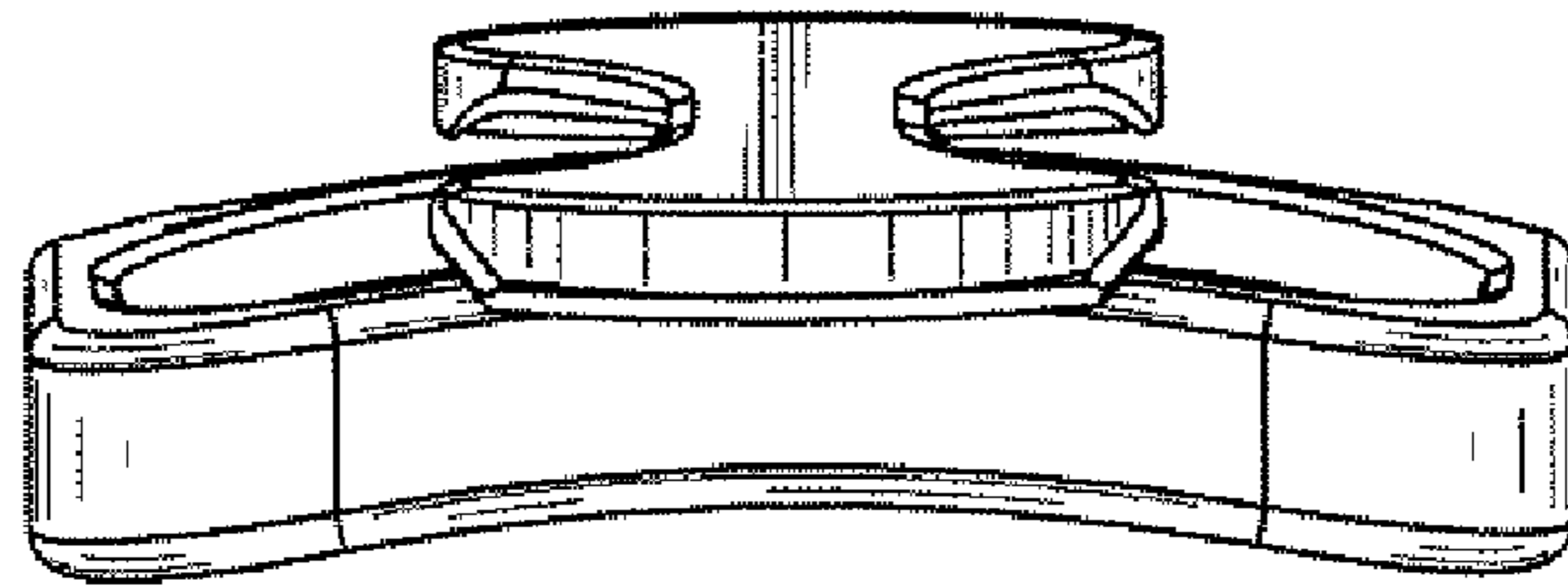


Fig. 4

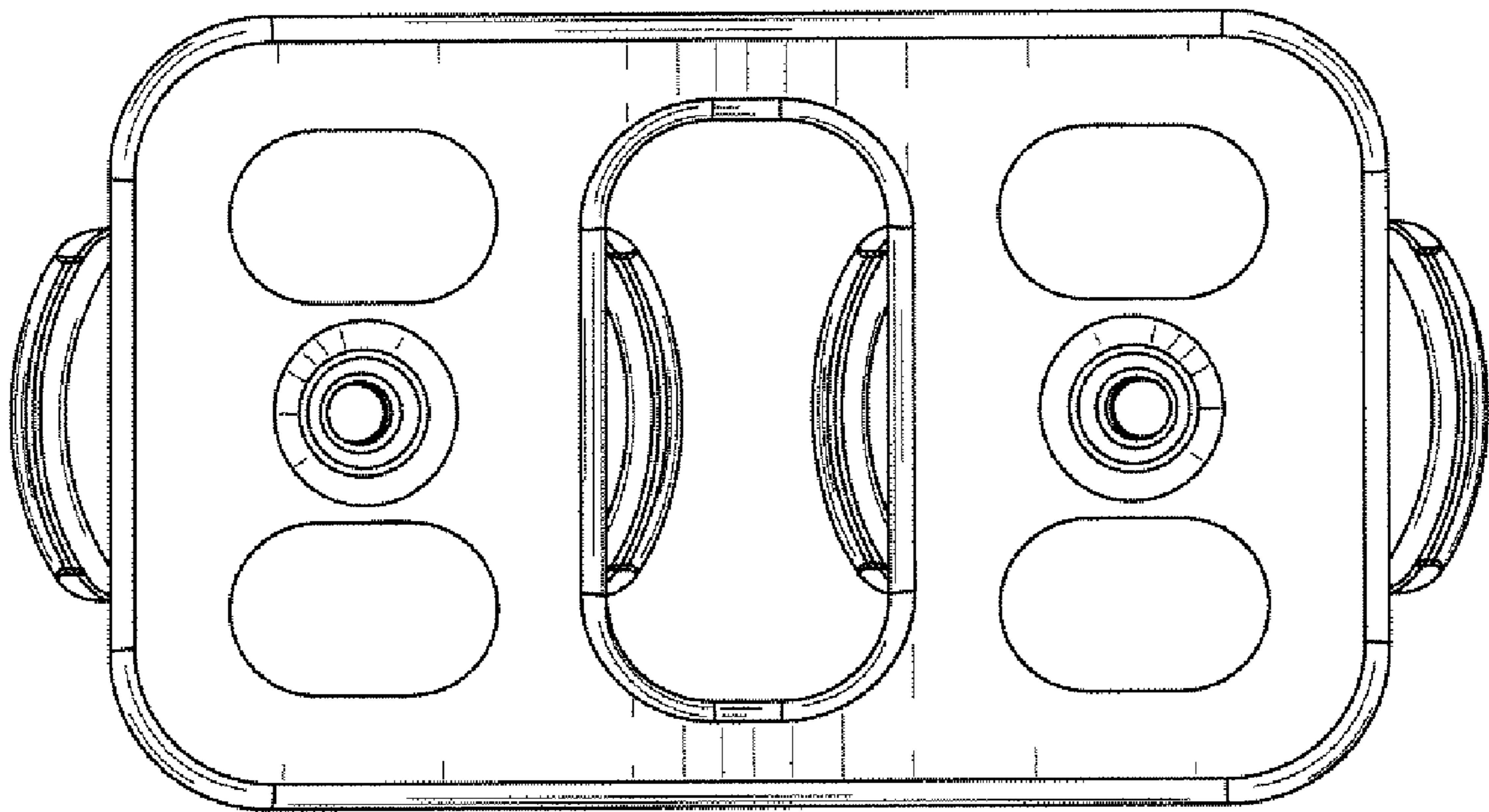


Fig. 5

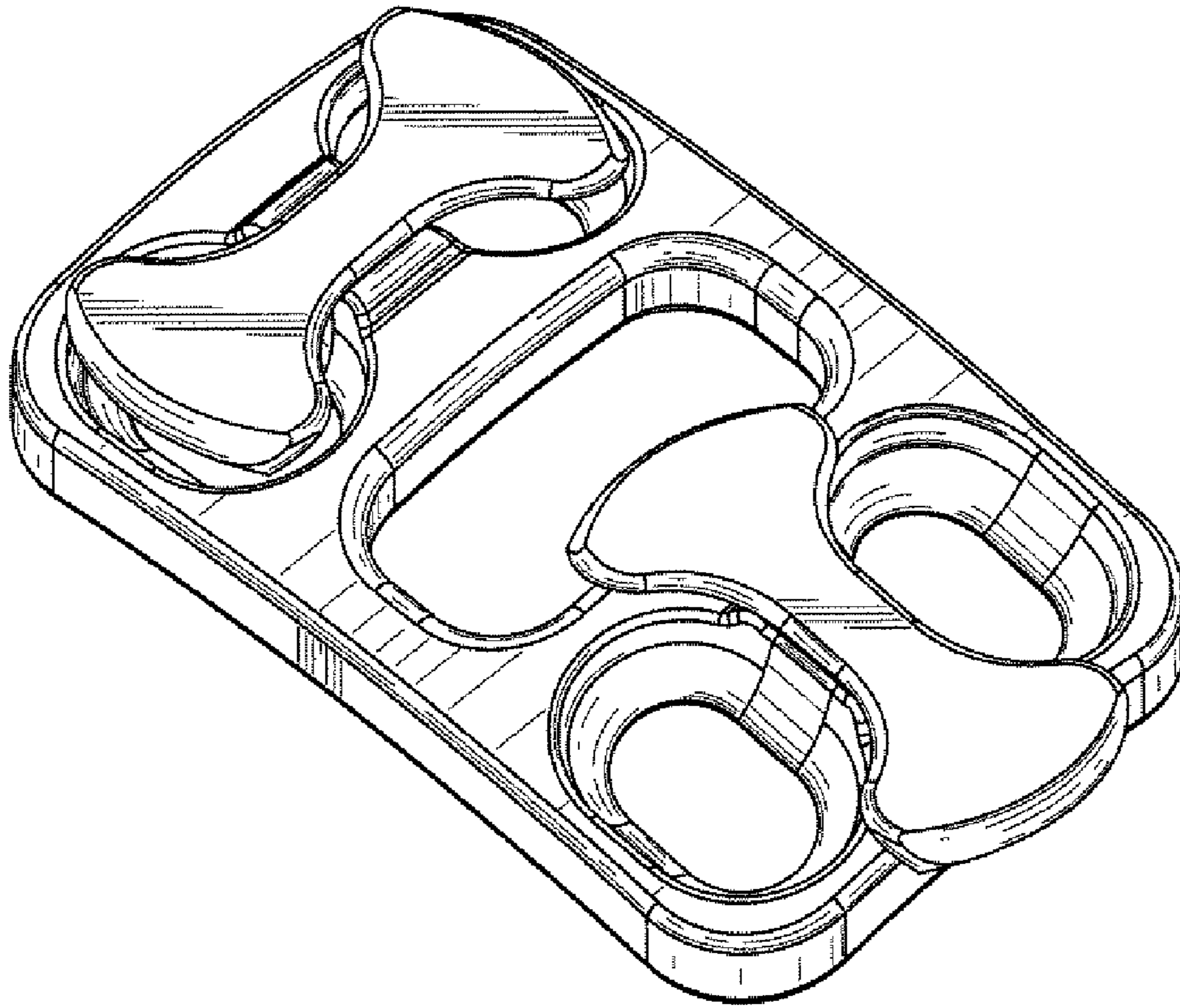


Fig. 6

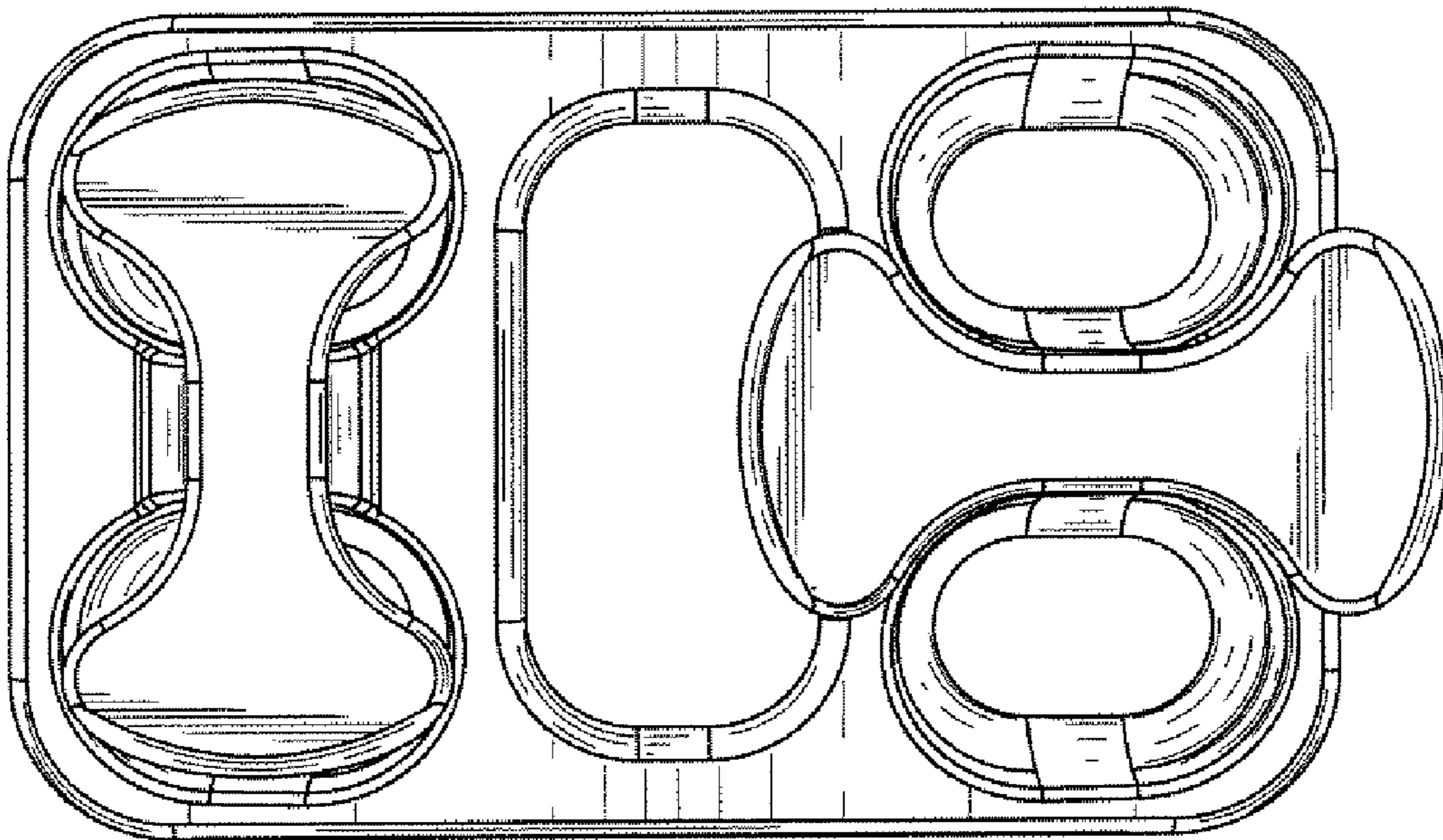


Fig. 7

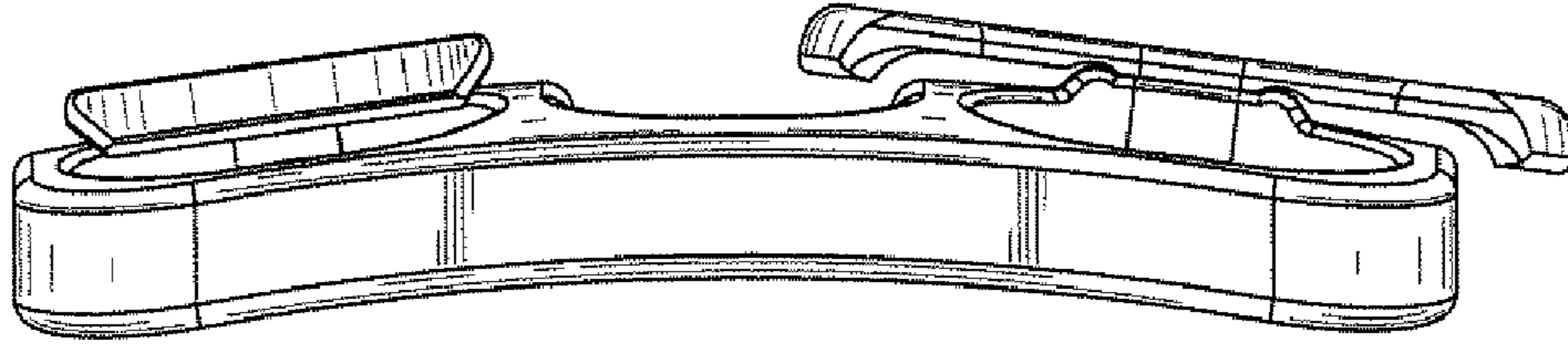


Fig. 8

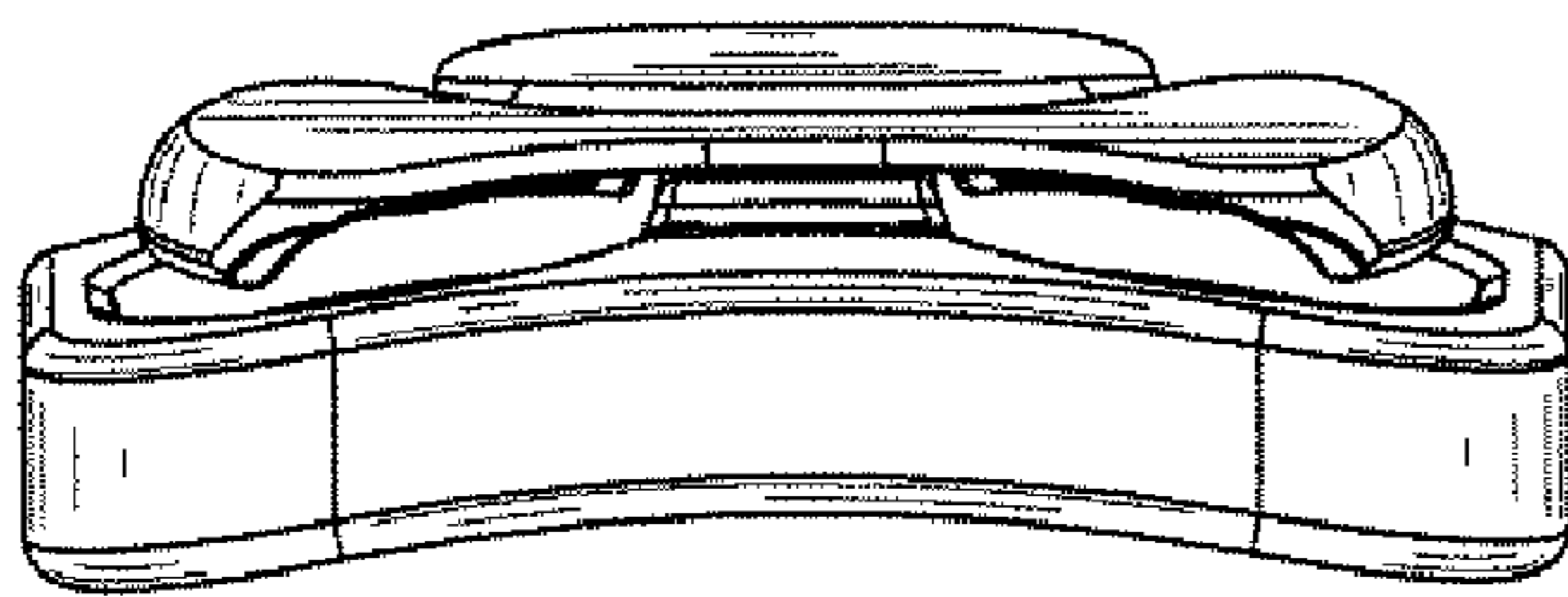


Fig. 9

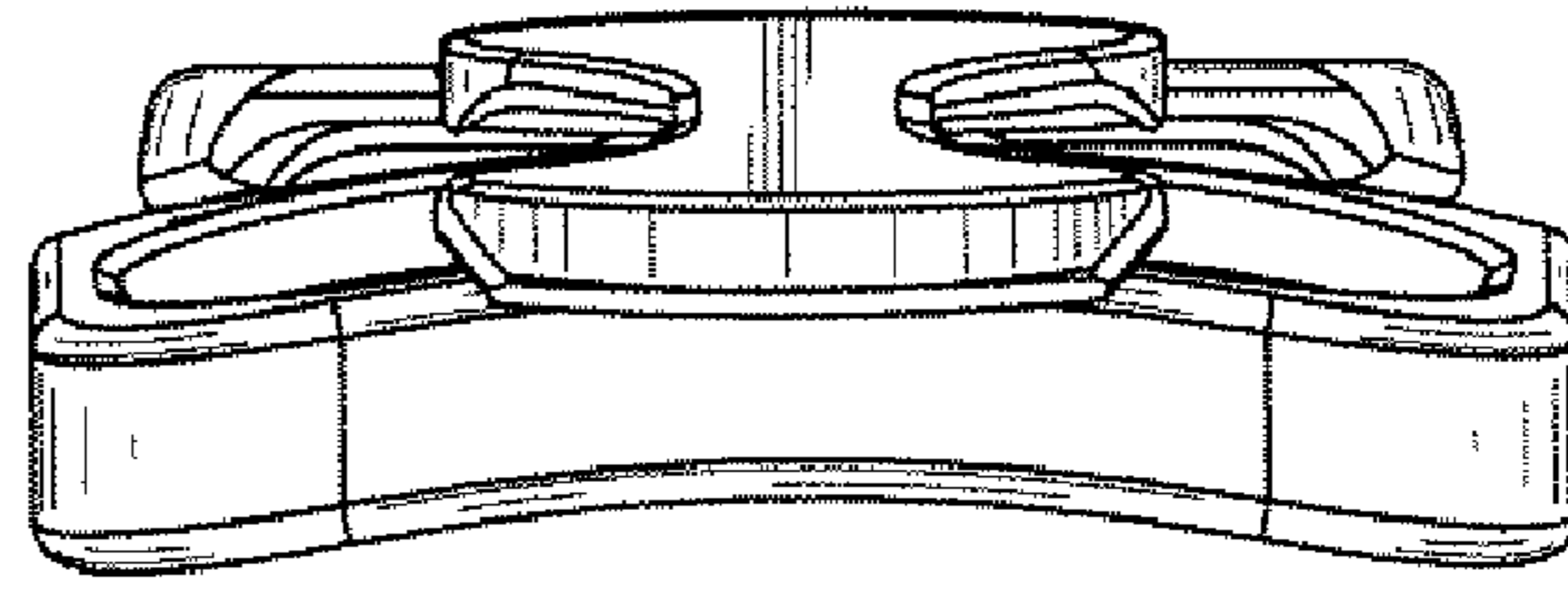


Fig. 10

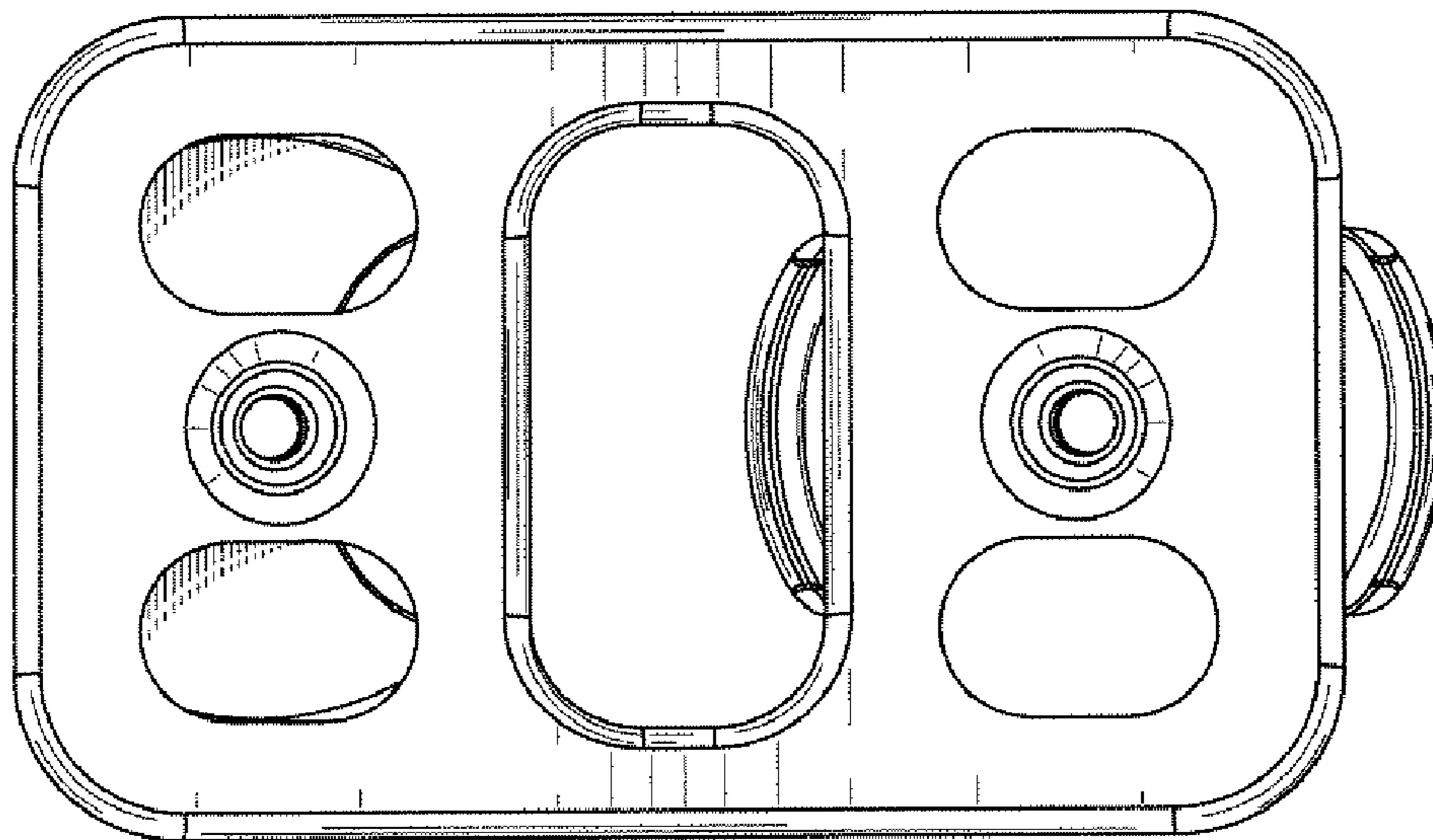


Fig. 11

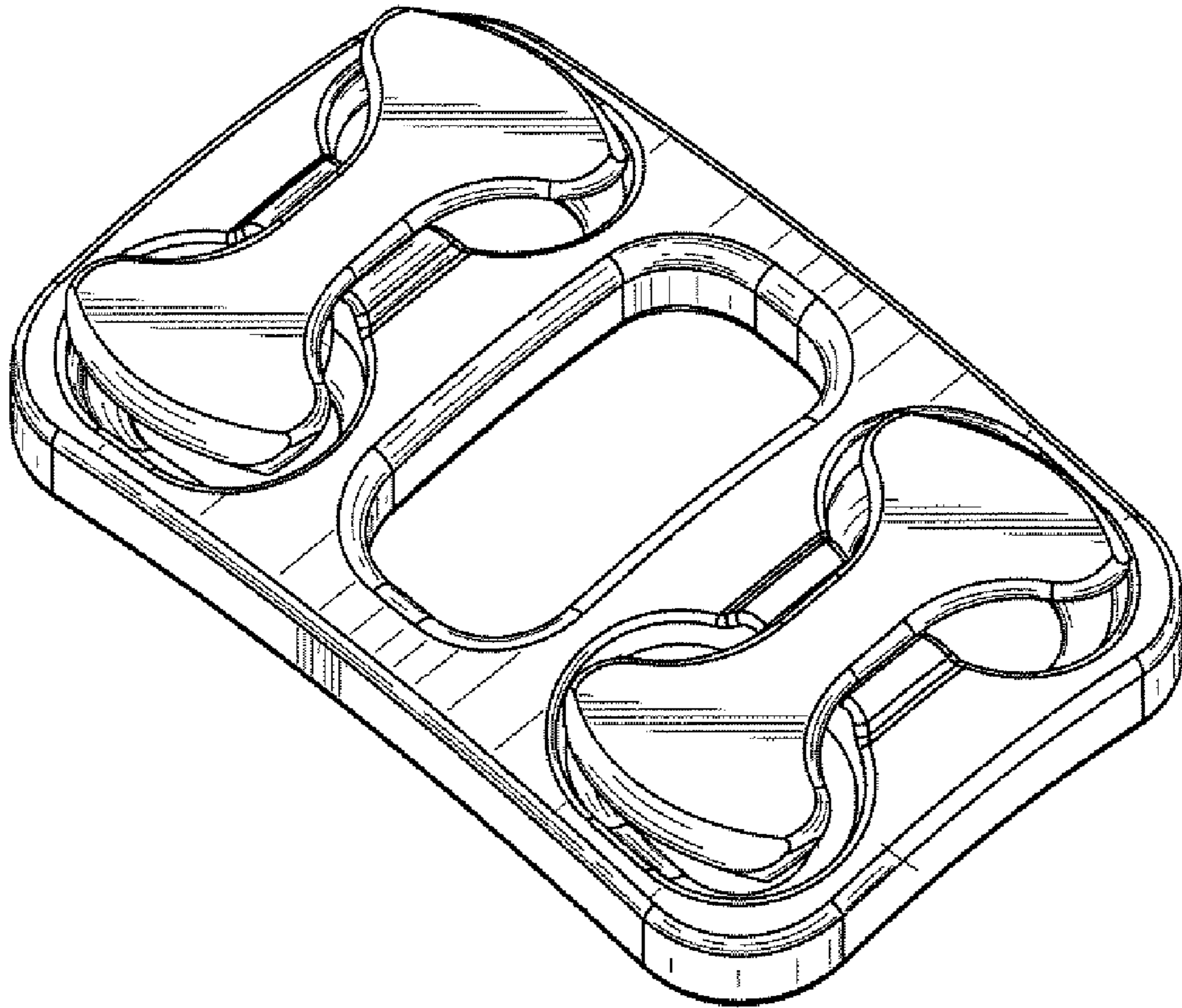


Fig. 12

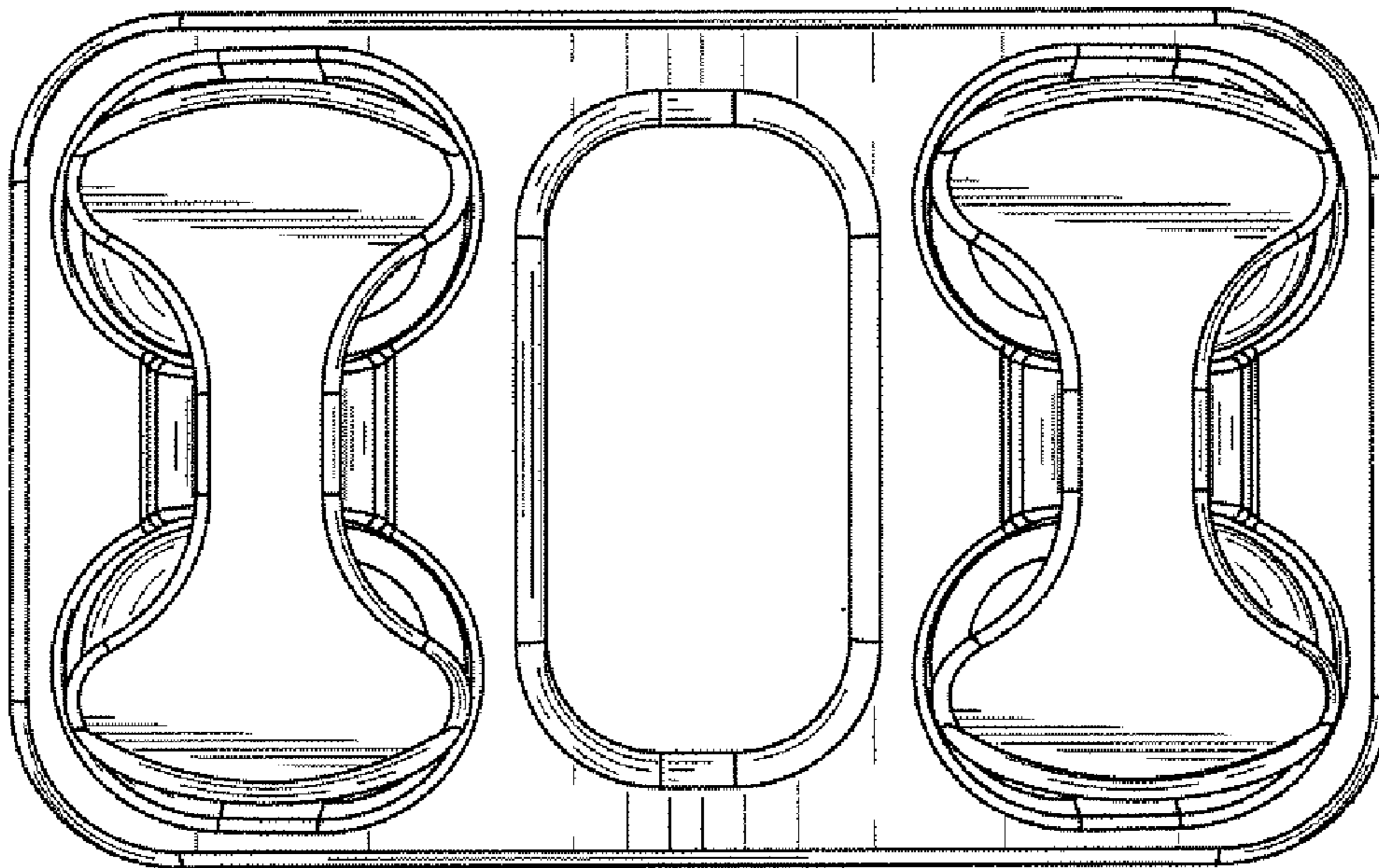


Fig. 13

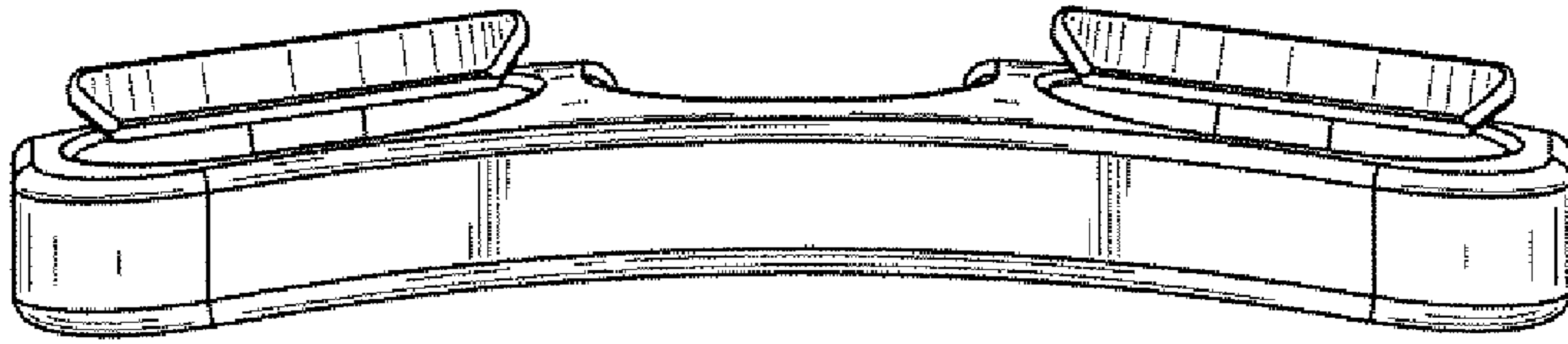


Fig. 14

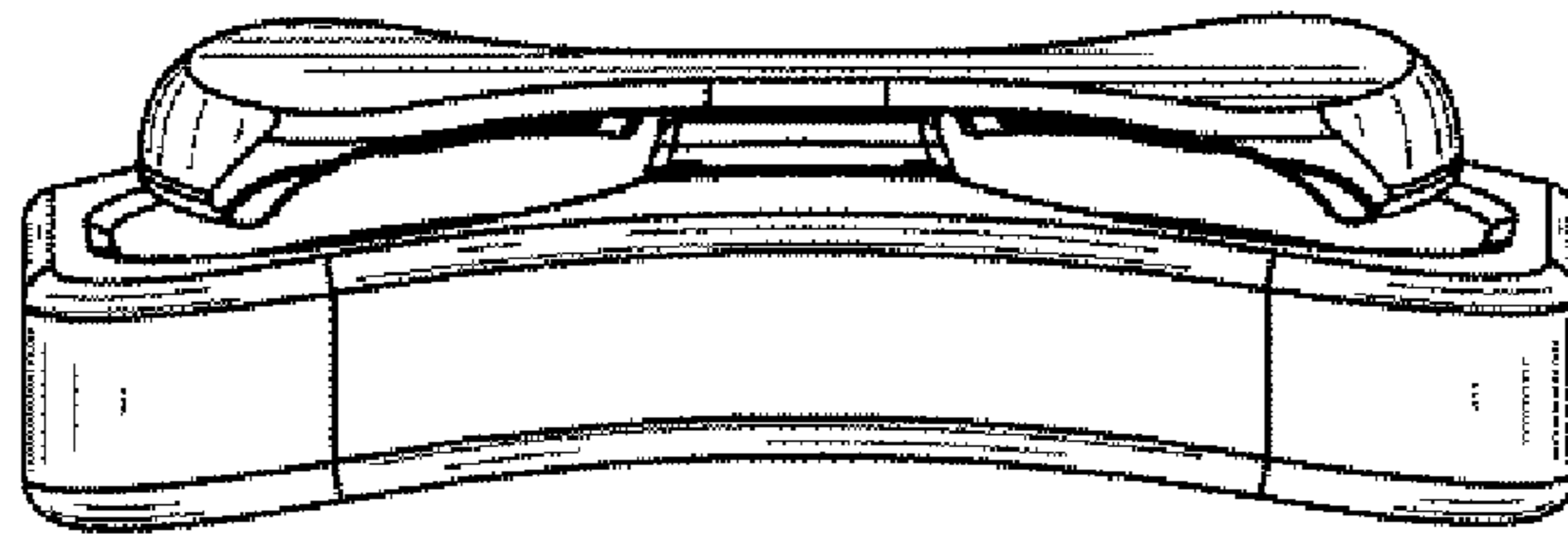


Fig. 15

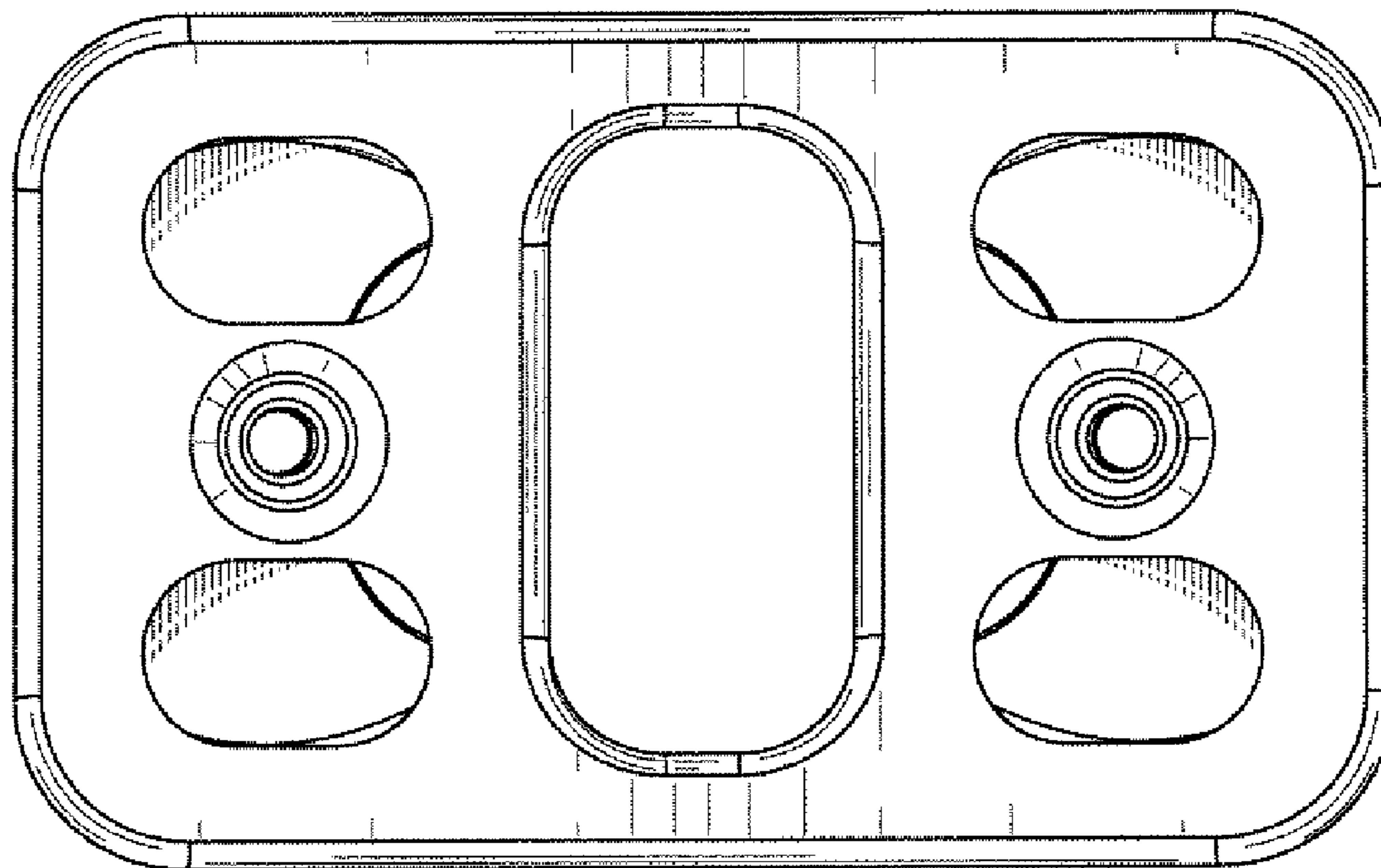


Fig. 16