



US00D597666S

(12) **United States Design Patent**  
**George et al.**

(10) **Patent No.:** **US D597,666 S**

(45) **Date of Patent:** **\*\* Aug. 4, 2009**

(54) **CLIP FOR A SPECULUM**

(76) Inventors: **Samuel George**, 4 Ronneby Close,  
Weybridge (GB) KT13 9SB; **Abdul**  
**Raheem Haloob**, Ramblers Lodge,  
Brockley Grove, Hutton Mount,  
Shenfield, Brentwood (GB) CM13 2JJ

(\*\*) Term: **14 Years**

(21) Appl. No.: **29/308,342**

(22) Filed: **Jun. 11, 2008**

(30) **Foreign Application Priority Data**

Dec. 11, 2007 (EM) ..... 000840566-0001  
Dec. 11, 2007 (EM) ..... 000840566-0002  
Dec. 11, 2007 (EM) ..... 000840566-0003

(51) **LOC (9) Cl.** ..... **24-02**

(52) **U.S. Cl.** ..... **D24/128; D24/135**

(58) **Field of Classification Search** ..... D24/135,  
D24/143, 145, 176, 183; D7/620; D8/394,  
D8/395, 396, 390; 600/562, 570, 578; 606/119,  
606/193, 205; 304/171, 540  
See application file for complete search history.

(56) **References Cited**

**U.S. PATENT DOCUMENTS**

D232,779 S \* 9/1974 Olson ..... D24/135  
D243,365 S \* 2/1977 Cross ..... D24/135

D276,272 S \* 11/1984 Weissenburger ..... D24/176  
D277,781 S \* 2/1985 Weissenburger ..... D24/176  
5,092,870 A \* 3/1992 Mittermeier ..... 606/151  
D331,462 S \* 12/1992 Kraus et al. .... D24/143  
5,571,115 A \* 11/1996 Nicholas ..... 606/119  
D467,339 S \* 12/2002 Trask et al. .... D24/128  
D488,228 S \* 4/2004 Kirsch et al. .... D24/143

\* cited by examiner

*Primary Examiner*—Ian Simmons

*Assistant Examiner*—Christopher Lee

(74) *Attorney, Agent, or Firm*—Lerner, David, Littenberg,  
Krumholz & Mentlik, LLP

(57) **CLAIM**

The ornamental design for a clip for a speculum, as shown and described.

**DESCRIPTION**

FIG. 1 is a perspective view of a clip for a speculum in accordance with the invention;

FIG. 2 is a side view of the clip for a speculum of FIG. 1;

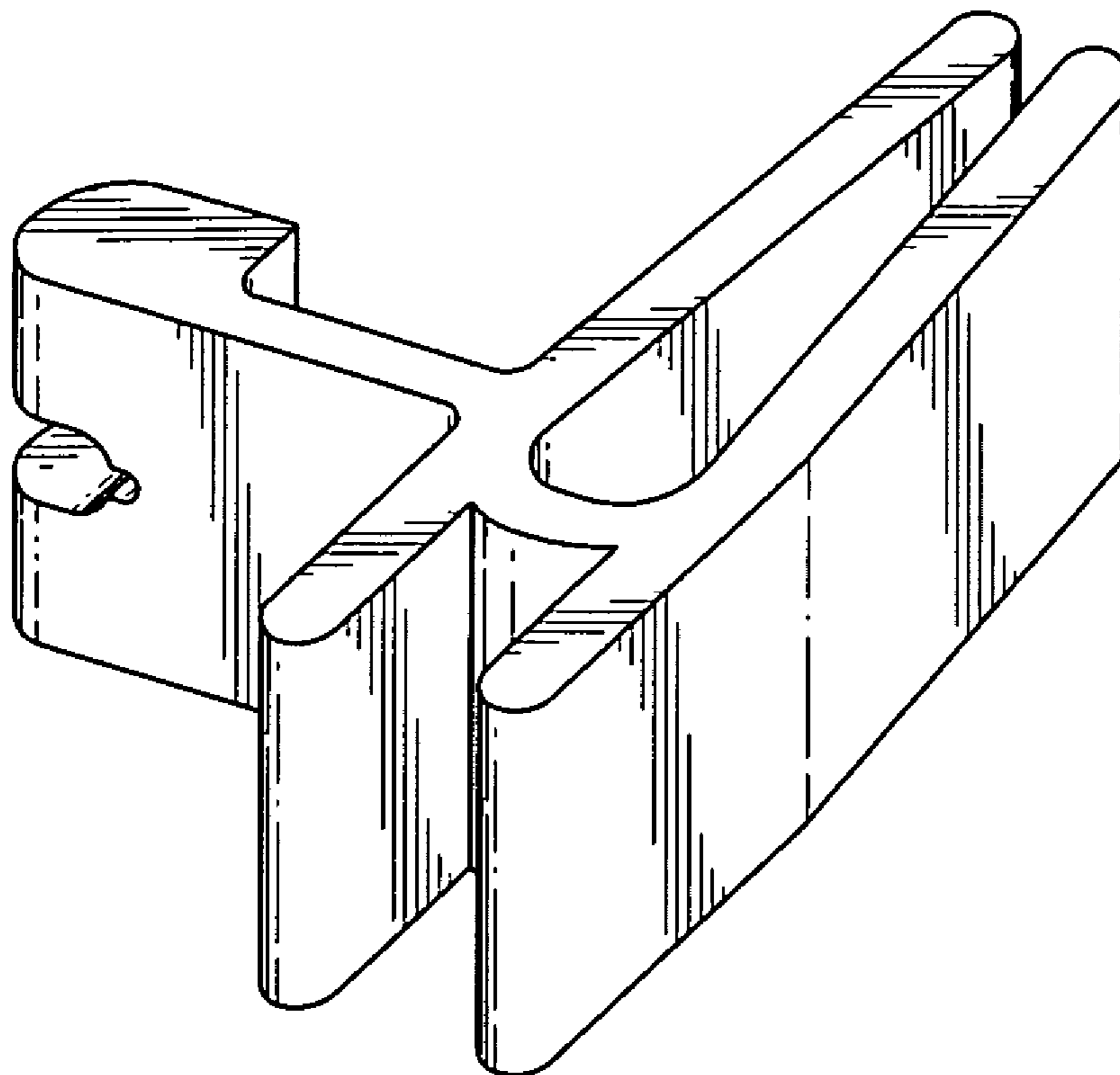
FIG. 3 is a top view of the clip for a speculum of FIG. 1;

FIG. 4 is a bottom view of the clip for a speculum of FIG. 1;

FIG. 5 is a first end view of the clip for a speculum of FIG. 1; and,

FIG. 6 is a second end view of the clip for a speculum of FIG. 1.

**1 Claim, 2 Drawing Sheets**



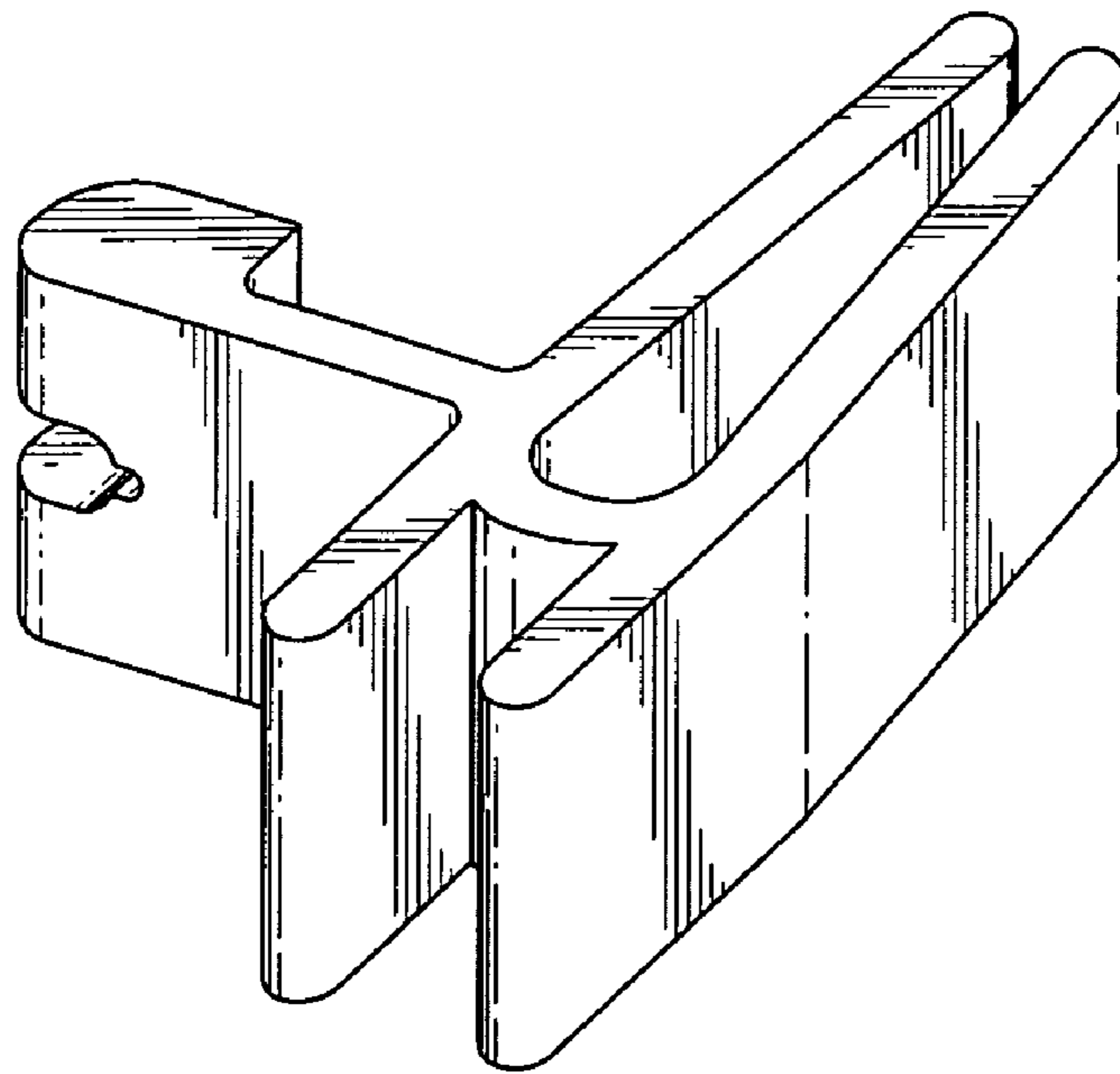


FIG. 1

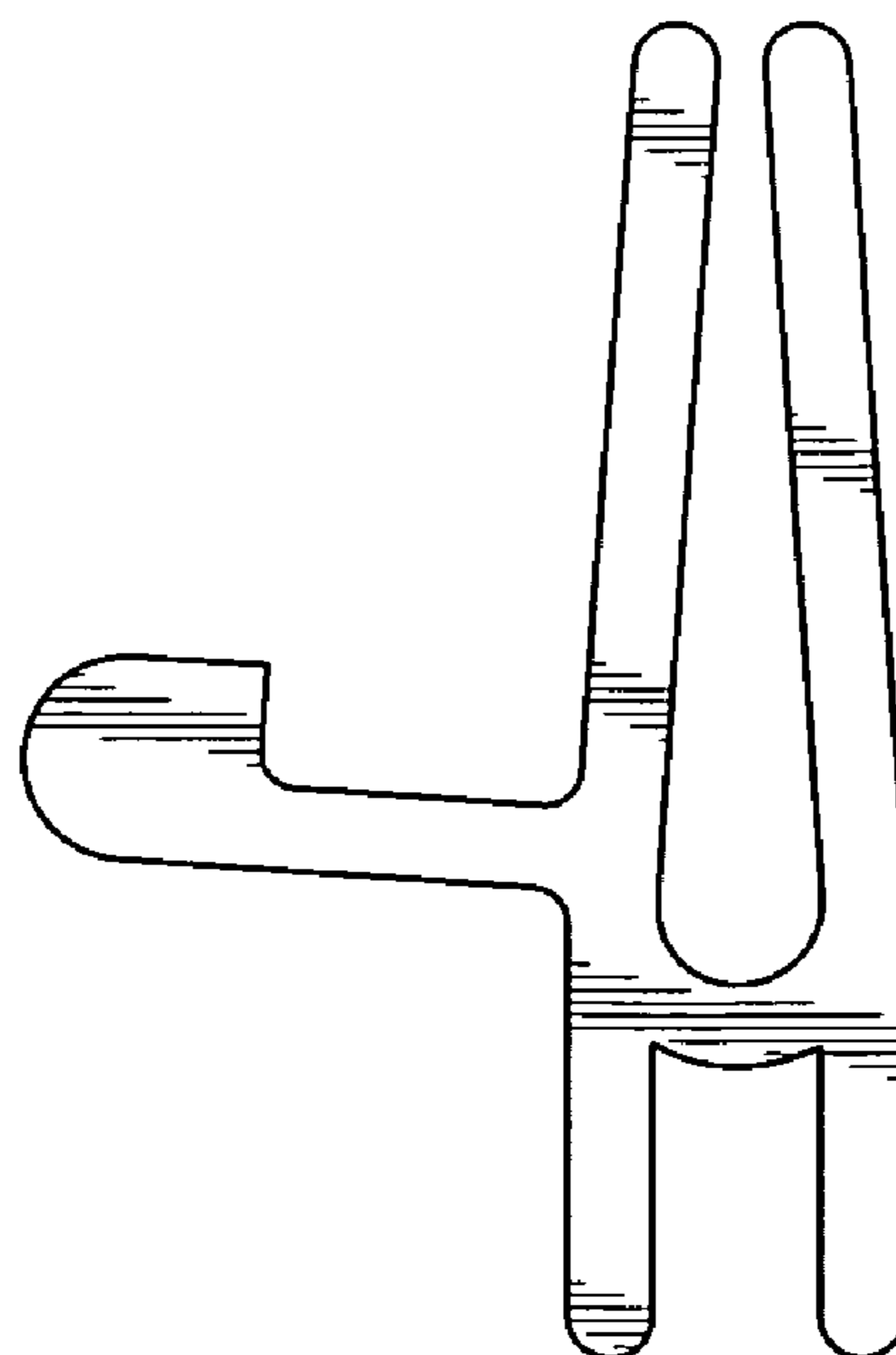


FIG. 2

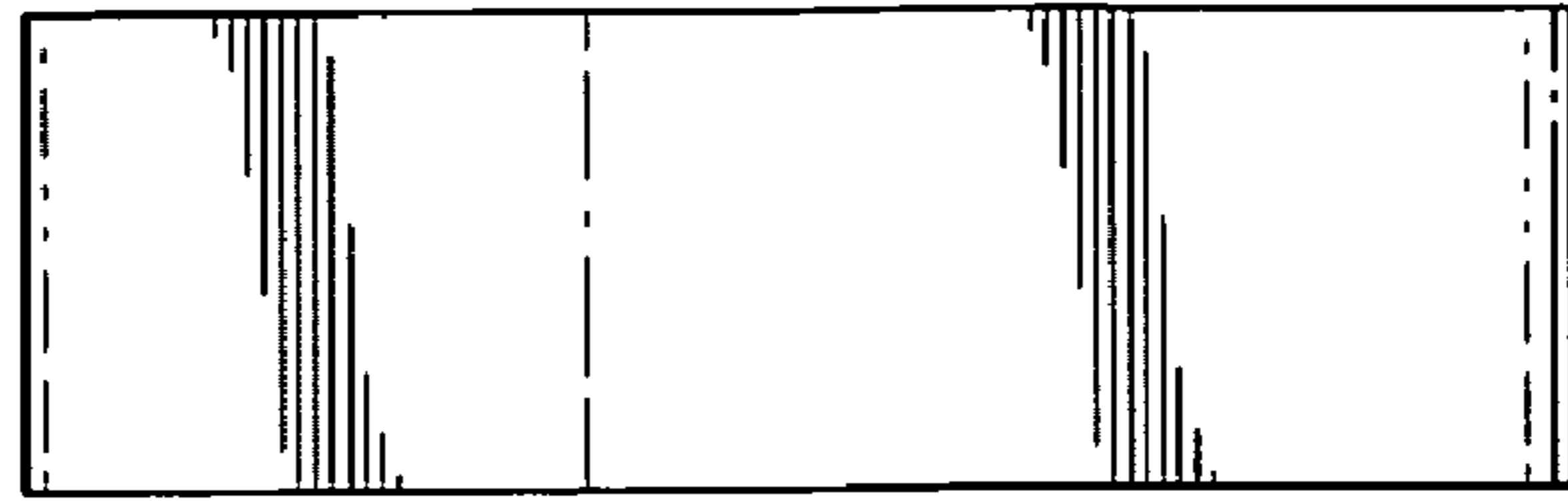


FIG. 3

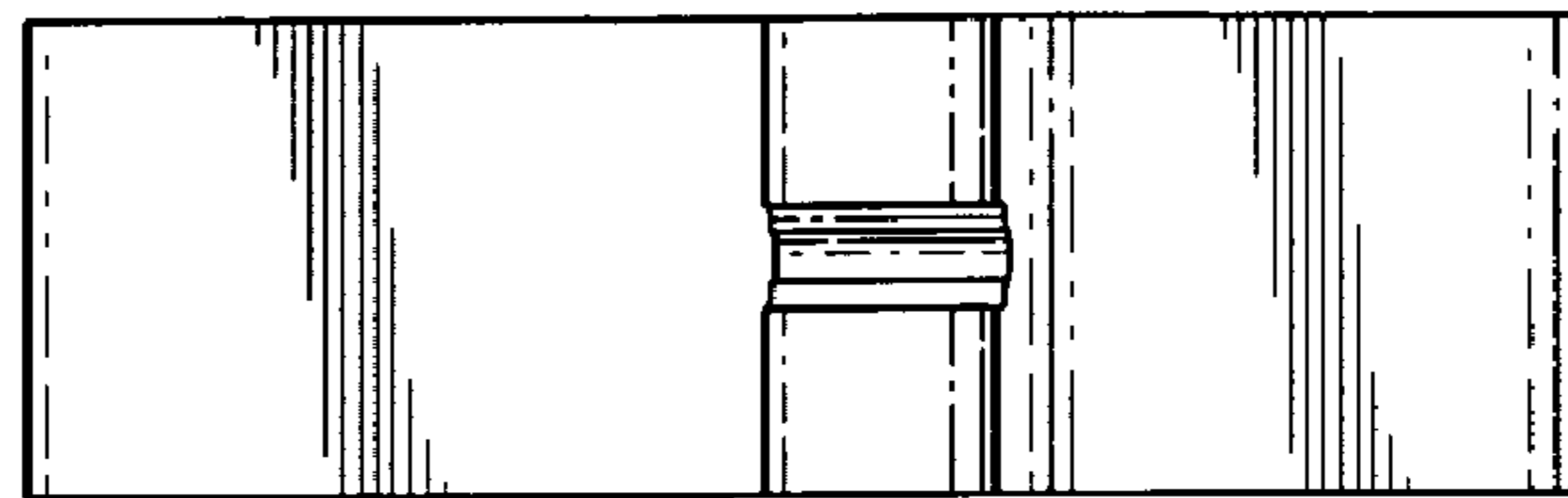


FIG. 4

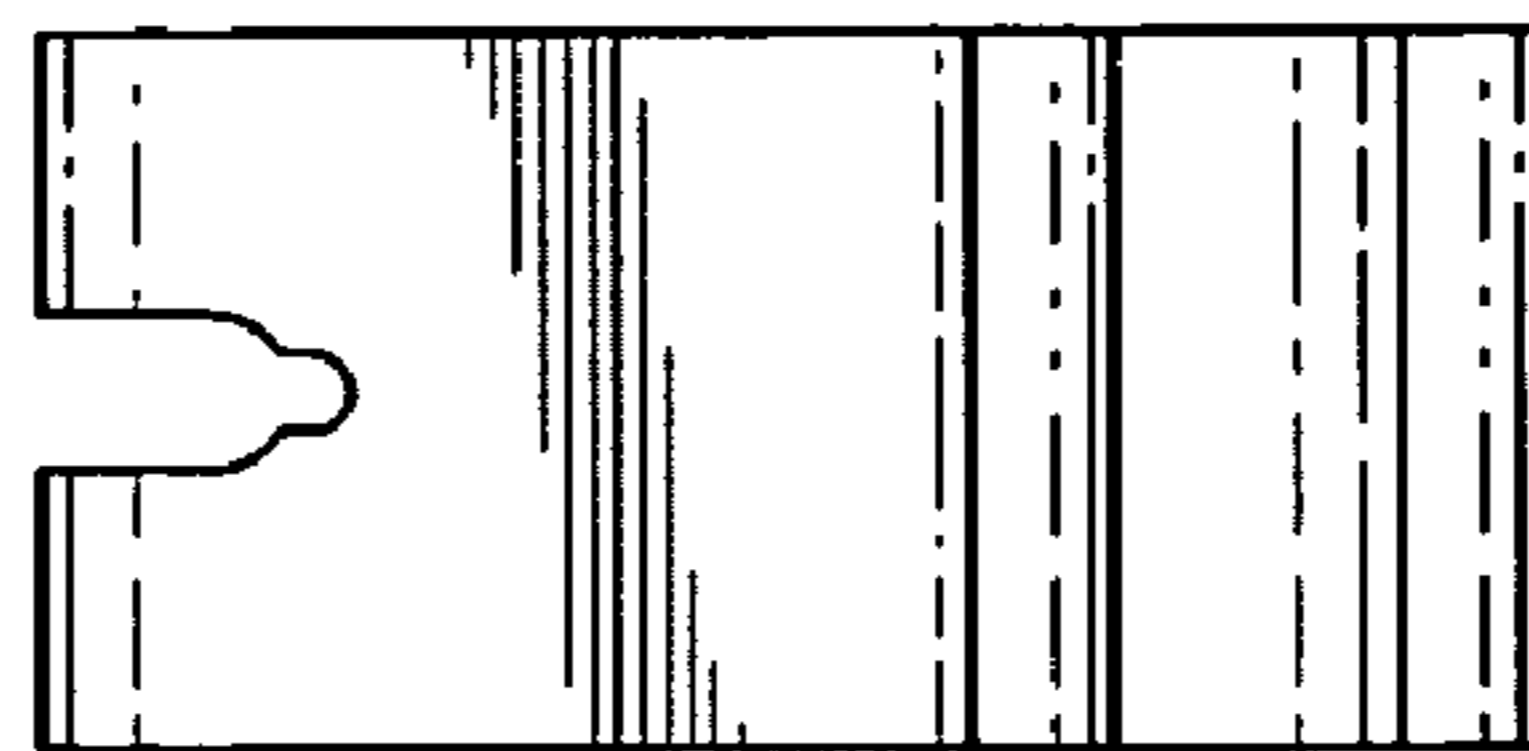


FIG. 5

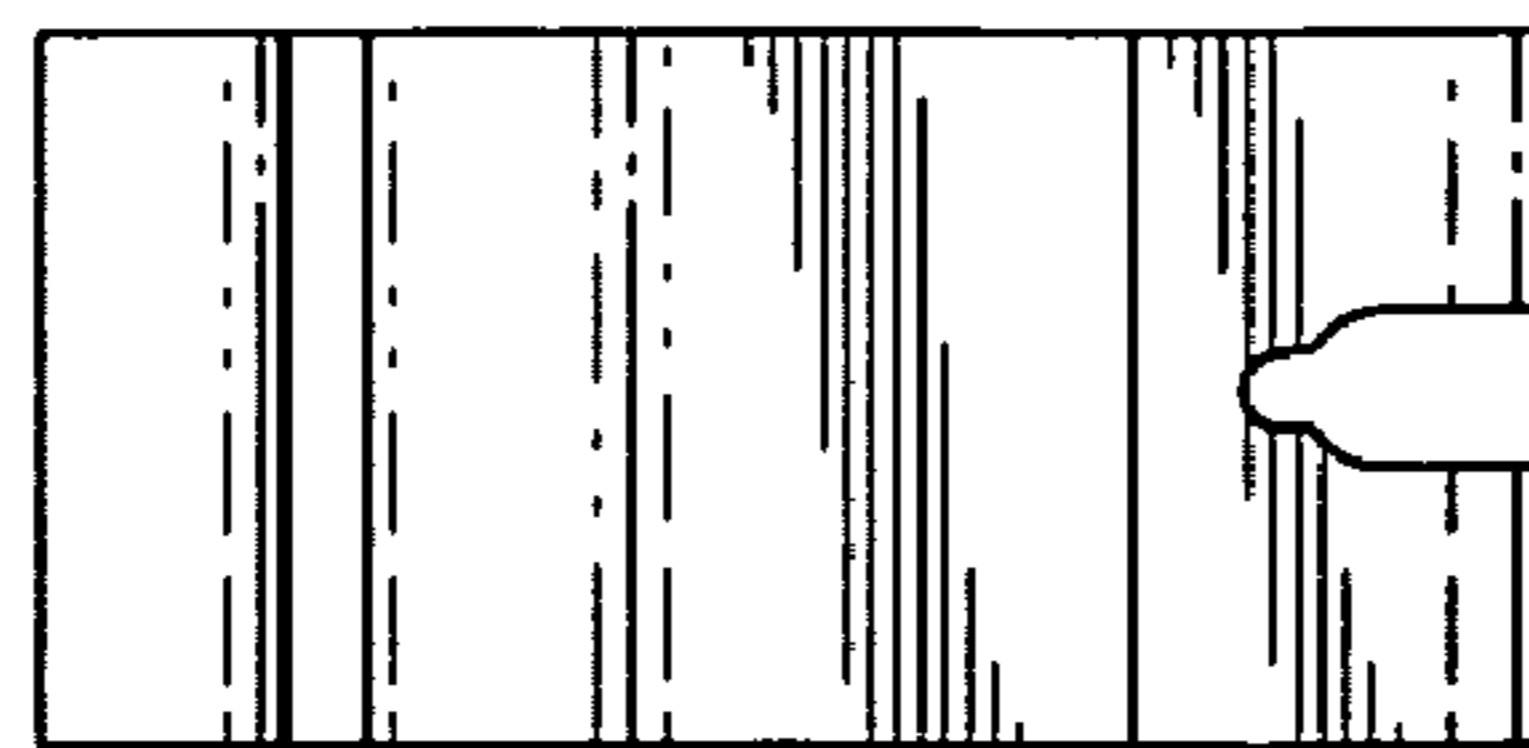


FIG. 6