



US00D597661S

(12) **United States Design Patent**
Reid et al.

(10) **Patent No.:** **US D597,661 S**

(45) **Date of Patent:** **** Aug. 4, 2009**

(54) **RESPIRATORY MASK**

(75) Inventors: **Michael John Reid**, Stanmore (AU);
Bruce Richard Davies, Strathfield (AU);
Karthikeyan Selvarajan, Thornleigh
(AU); **Alison Oldenburg**, Crows Nest
(AU); **Scott Alexander Howard**,
Harbord (AU)

(73) Assignee: **ResMed Limited**, Bella Vista (AU)

(**) Term: **14 Years**

(21) Appl. No.: **29/309,817**

(22) Filed: **Oct. 20, 2008**

(51) **LOC (9) Cl.** **29-02**

(52) **U.S. Cl.** **D24/110.1**

(58) **Field of Classification Search** D24/110.1,
D24/110.4, 110.5, 164; 128/205.25, 206.27,
128/207.11, 206.26, 207.17, 207.13, 206.21,
128/204.18, 206.12

See application file for complete search history.

(56) **References Cited**

U.S. PATENT DOCUMENTS

D428,139 S	7/2000	Smart
D430,663 S	9/2000	Smart
D443,355 S	6/2001	Gunaratnam et al.
6,374,826 B1	4/2002	Gunaratnam
D459,800 S	7/2002	Smart
D464,427 S	10/2002	Smart
D464,728 S	10/2002	Paul
6,467,483 B1	10/2002	Kopacko
D468,421 S	1/2003	Smart
6,532,961 B1	3/2003	Kwok et al.
6,581,594 B1	6/2003	Drew
D486,226 S	2/2004	Guney et al.
D486,907 S	2/2004	Guney et al.
6,691,707 B1	2/2004	Gunaratnam
D492,992 S	7/2004	Guney et al.
D493,885 S	8/2004	Raje
D494,675 S	8/2004	Guney et al.
D496,098 S	9/2004	Guney

6,851,425 B2	2/2005	Jaffre et al.
6,860,269 B2	3/2005	Kwok et al.
6,907,882 B2	6/2005	Ging
D519,207 S	4/2006	Raje et al.
D534,274 S	12/2006	Smart
D539,901 S	4/2007	McAuliffe
D558,334 S	12/2007	Stallard et al.
D576,271 S	9/2008	Gunaratnam et al.
D586,458 S *	2/2009	Kooij et al. D24/110.1
2003/0005931 A1	1/2003	Jaffre
2004/0118406 A1	6/2004	Lithgow et al.
2005/0172969 A1	8/2005	Ging et al.
2006/0231103 A1	10/2006	Matula
2008/0066757 A1	3/2008	Stallard et al.
2008/0276937 A1 *	11/2008	Davidson et al. 128/204.18

FOREIGN PATENT DOCUMENTS

WO	WO 2005/018523	3/2005
WO	WO 2005/021075	3/2005
WO	WO 2005/032634	4/2005
WO	WO 2005/051468	6/2005

OTHER PUBLICATIONS

Davidson et al., U.S. Appl. No. 29/274,635, filed May 10, 2007.

(Continued)

Primary Examiner—Ian Simmons

Assistant Examiner—Christopher Lee

(74) *Attorney, Agent, or Firm*—Nixon & Vanderhye P.C.

(57) **CLAIM**

The ornamental design for a respiratory mask, as shown.

DESCRIPTION

FIG. 1 is a front perspective view of a respiratory mask according to our new design;

FIG. 2 is a front view thereof;

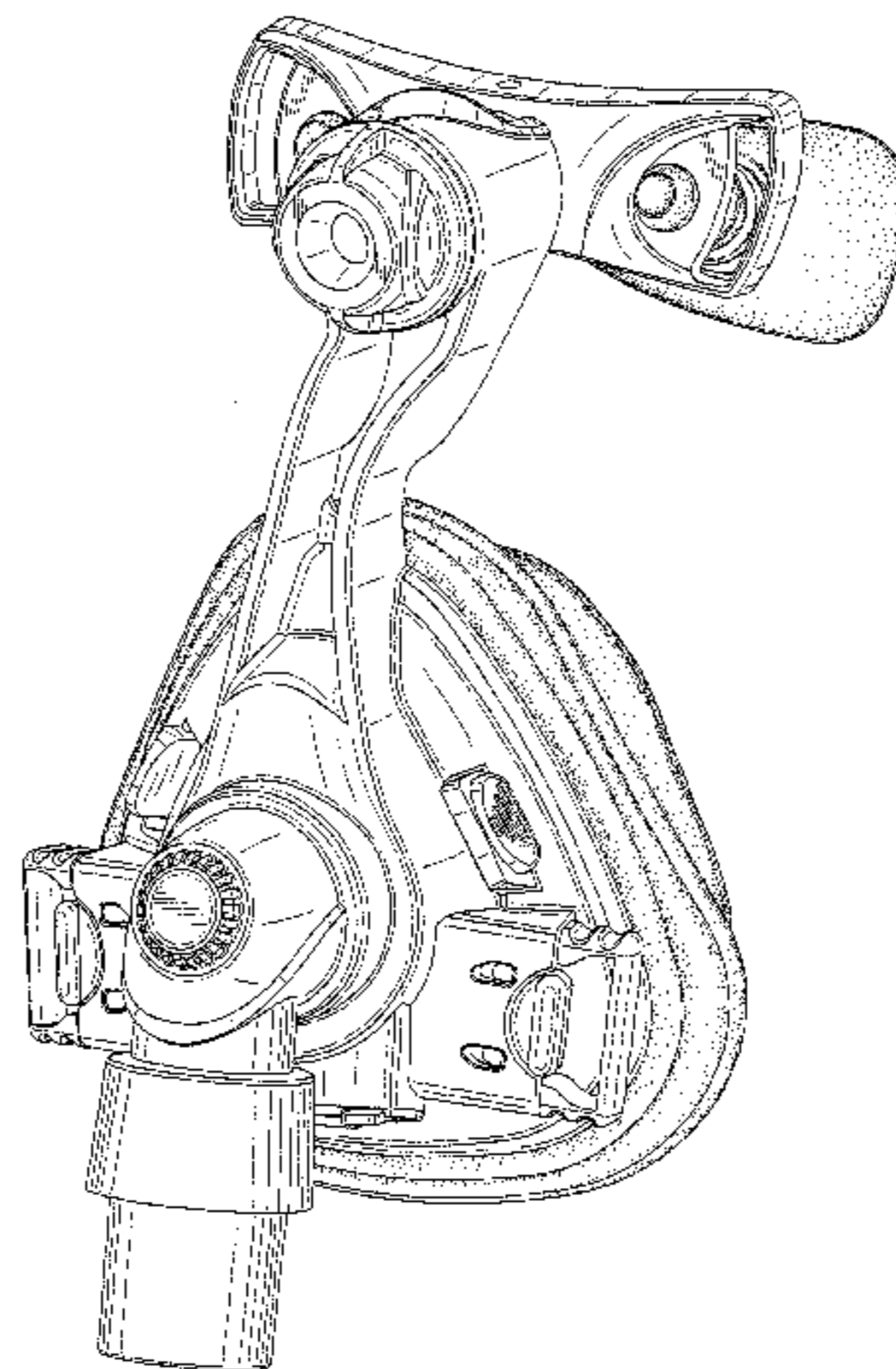
FIG. 3 is a rear view thereof;

FIG. 4 is a top view thereof;

FIG. 5 is a bottom view thereof; and,

FIG. 6 is a right side view thereof with the left side view being a mirror image thereof.

1 Claim, 6 Drawing Sheets



OTHER PUBLICATIONS

Stallard et al., U.S. Appl. No. 29/268,823, filed Nov. 14, 2006.
Maurer et al., U.S. Appl. No. 29/290,799, filed May 15, 2008.
Reid et al., U.S. Appl. No. 29/290,800, filed Jan. 15, 2008.
Nga et al., U.S. Appl. No. 29/290,801, filed Jan. 15, 2008.
Reid et al., U.S. Appl. No. 29/309,392, filed Aug. 7, 2008.
Selvarajan et al., U.S. Appl. No. 29/261,579, filed Jun. 16, 2006.

Stallard et al., U.S. Appl. No. 29/251,703, filed Jan. 12, 2006.
Chu et al., U.S. Appl. No. 29/261,578, filed Jun. 16, 2006.
Veliss et al., U.S. Appl. No. 29/268,731, filed Nov. 13, 2006.
Stallard et al., U.S. Appl. No. 29/240,923, filed Sep. 26, 2005.
Stallard et al., U.S. Appl. No. 29/272,801, filed Feb. 20, 2007.
Reid et al., U.S. Appl. No. 29/309,587, filed Sep. 8, 2008.

* cited by examiner

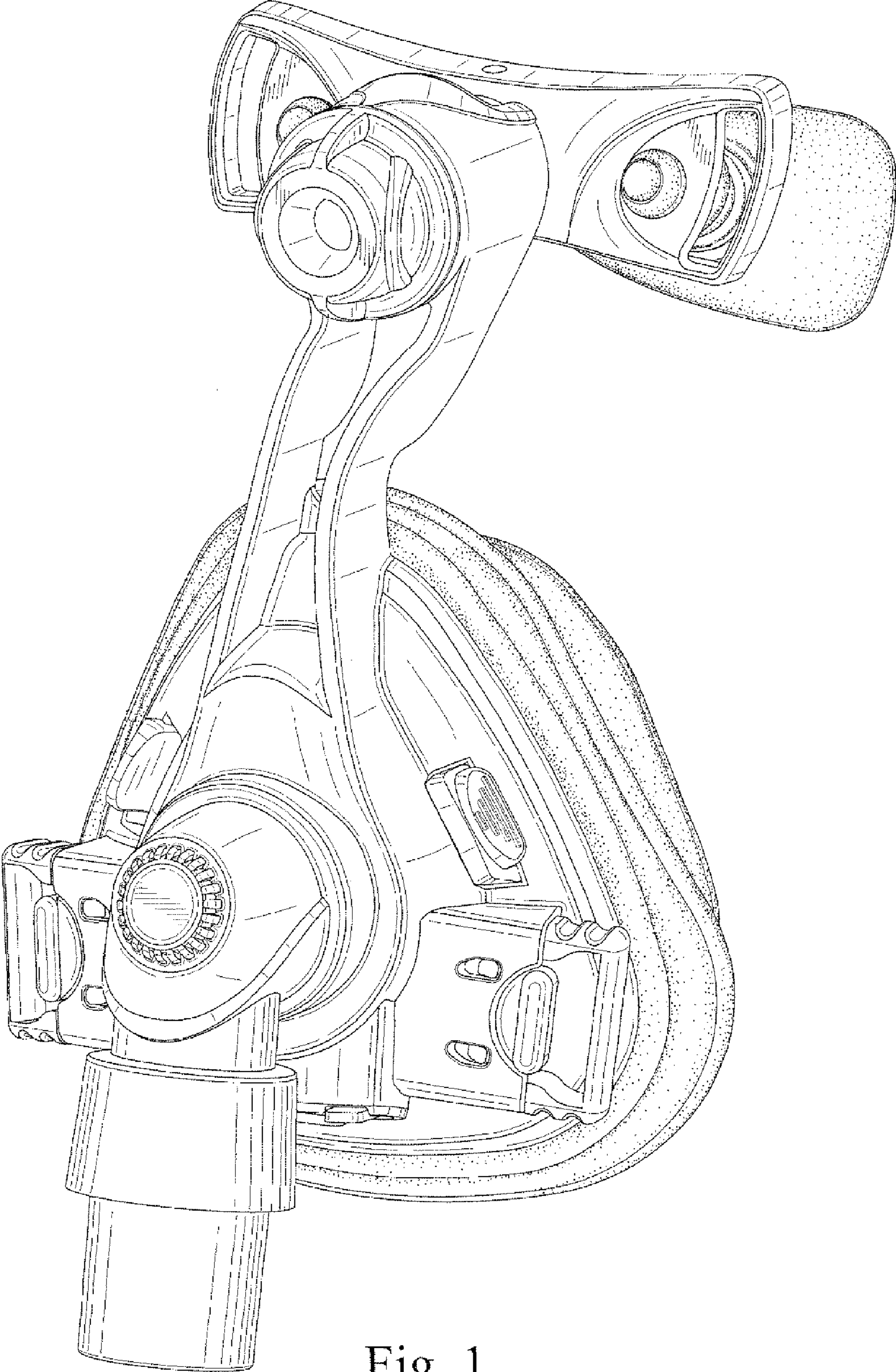


Fig. 1

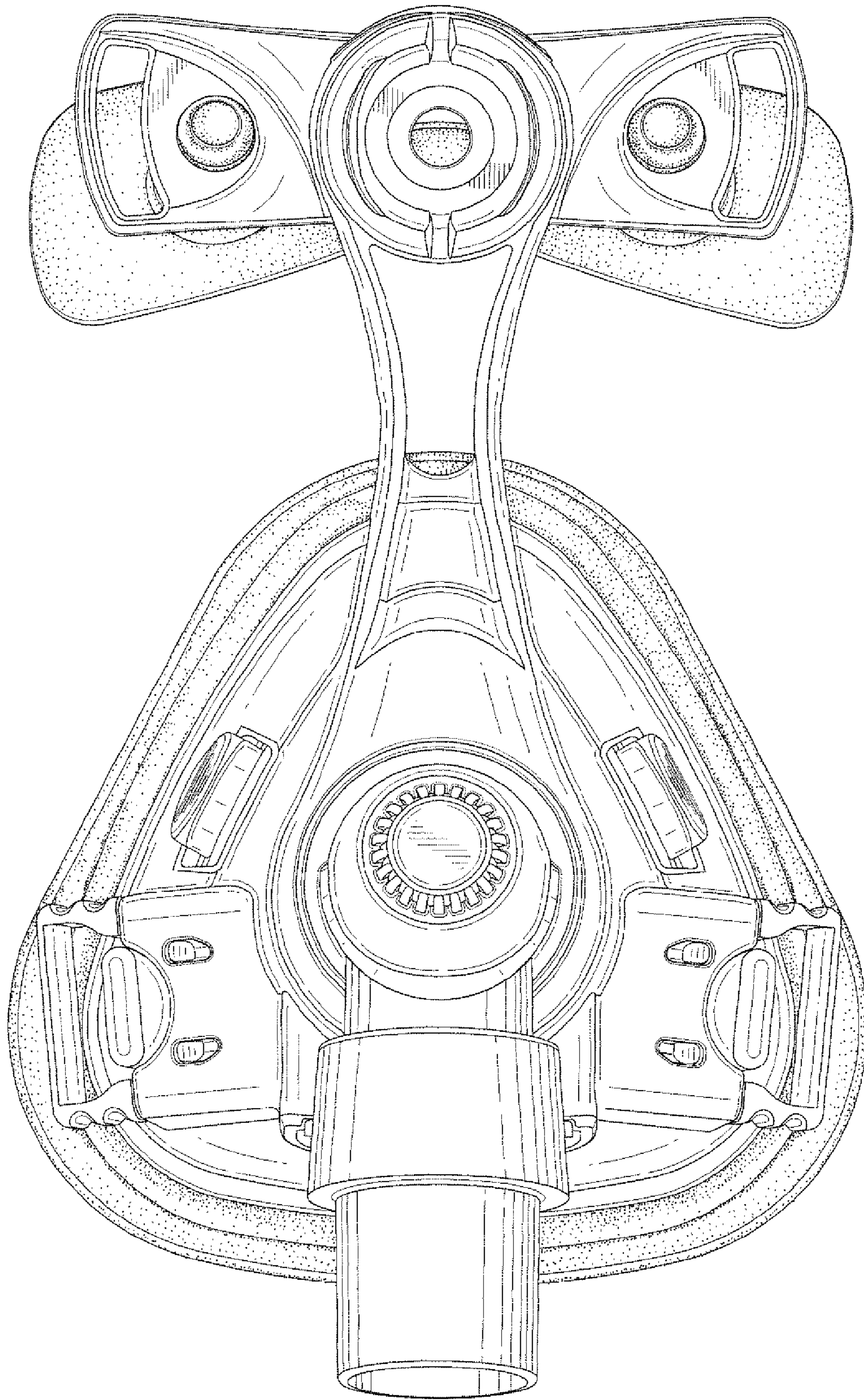


Fig. 2

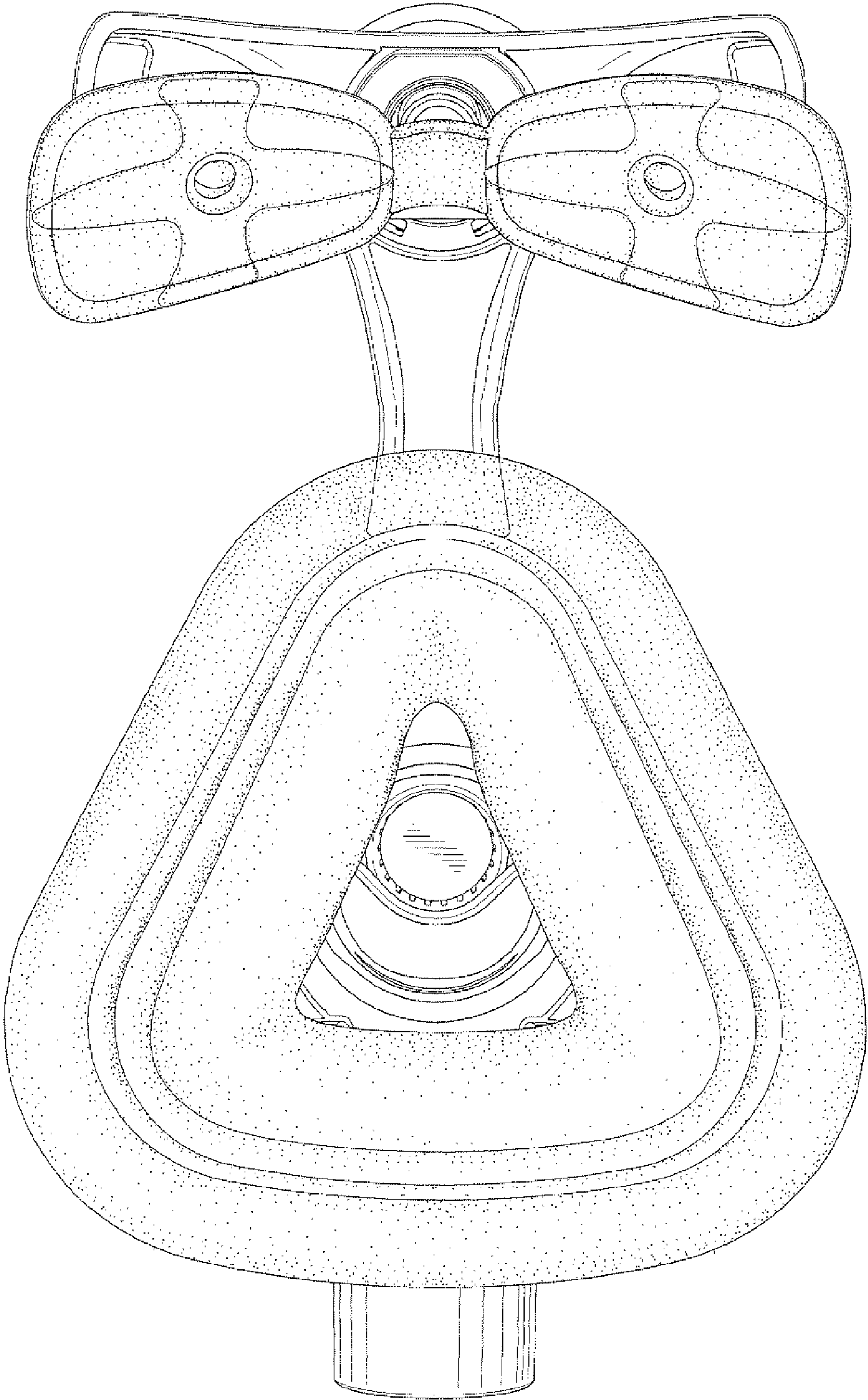


Fig. 3

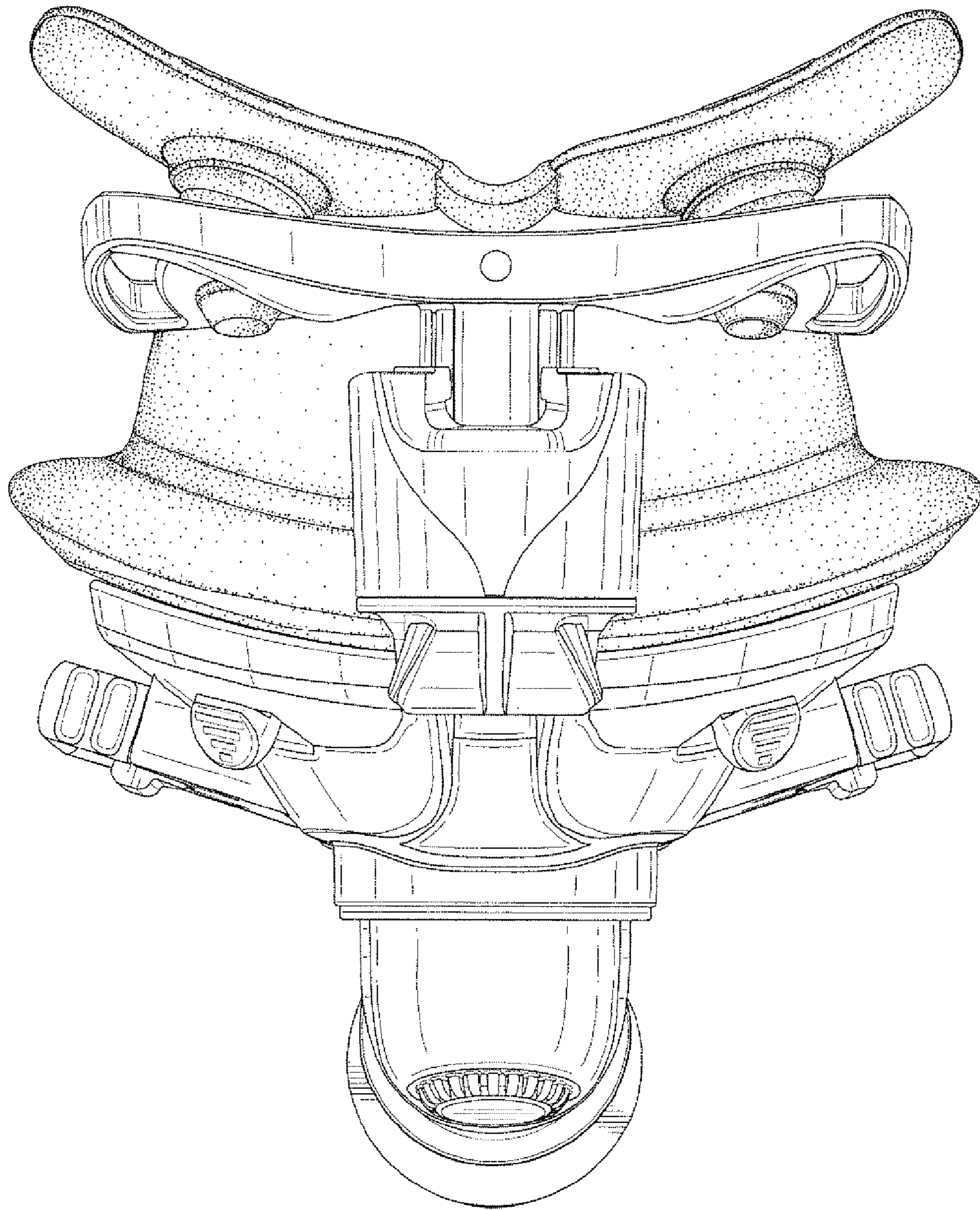


Fig. 4

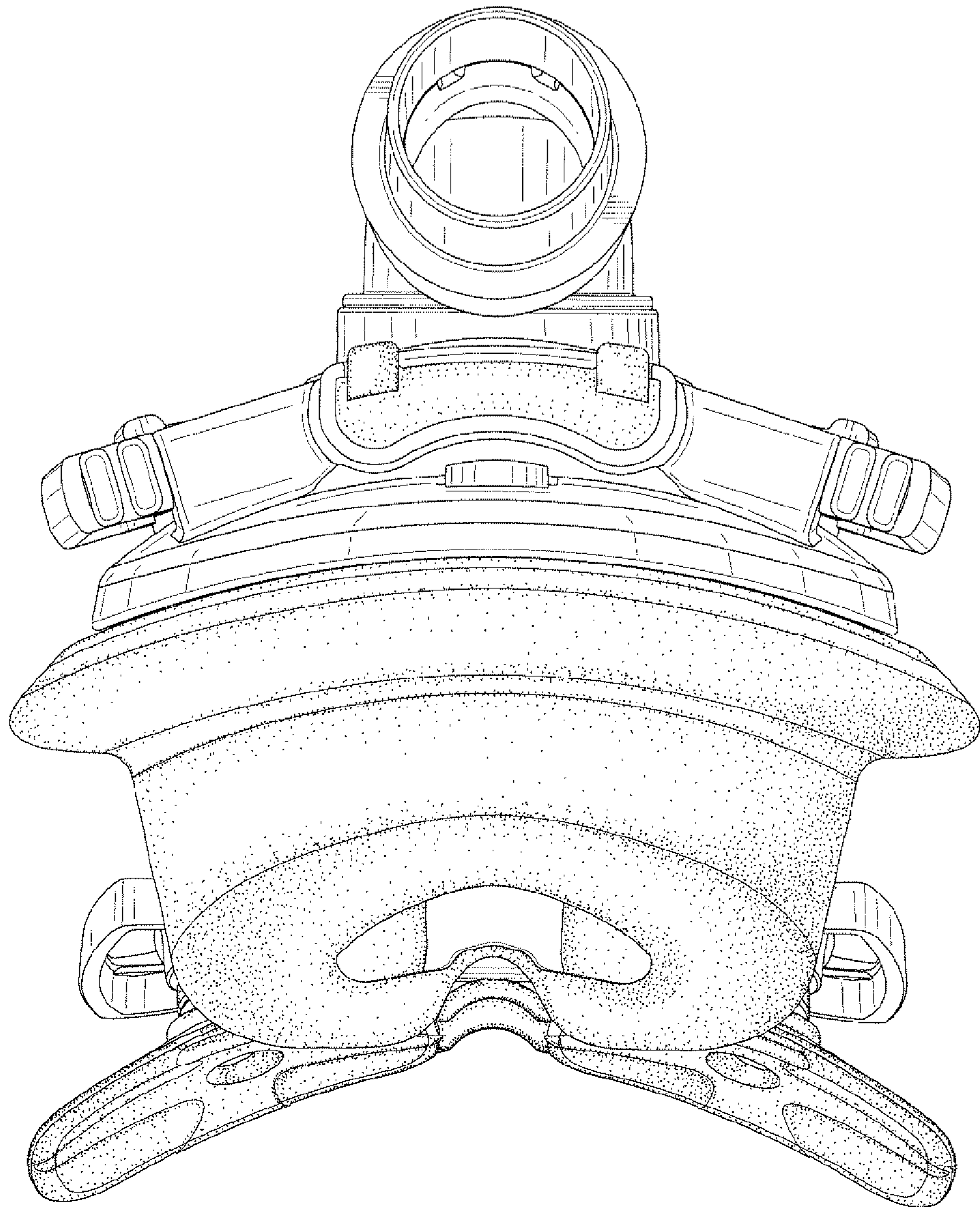


Fig. 5

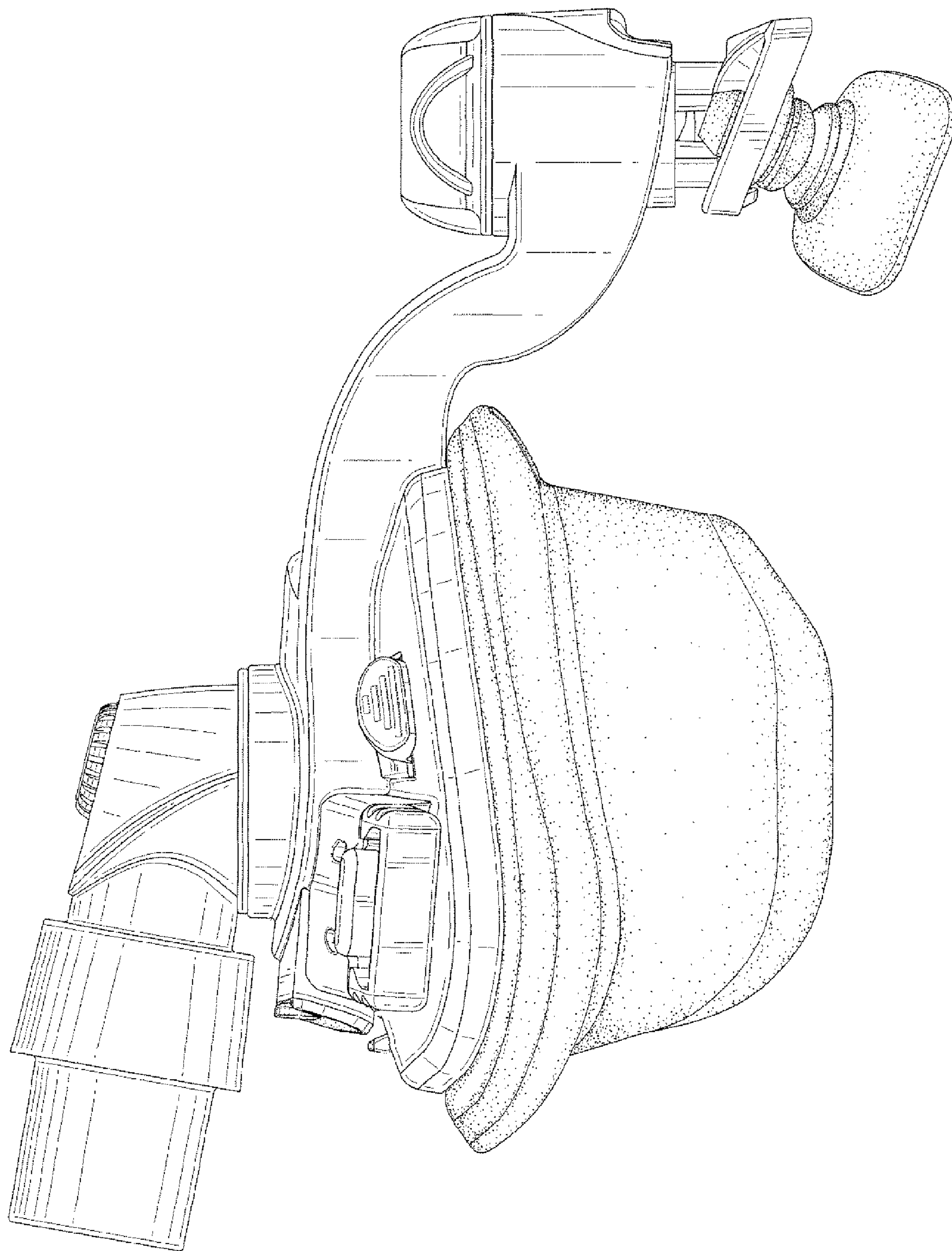


Fig. 6