

US00D597660S

(12) **United States Design Patent**  
**Maurer**

(10) **Patent No.:** **US D597,660 S**

(45) **Date of Patent:** **\*\* Aug. 4, 2009**

(54) **FRAME FOR A MASK**

D558,334 S \* 12/2007 Stallard et al. .... D24/110.1

(75) Inventor: **Dimitri Marco Maurer**, Umina (AU)

(73) Assignee: **ResMed Limited**, Bella Vista (AU)

(\*\*) Term: **14 Years**

(21) Appl. No.: **29/290,799**

(22) Filed: **Jan. 15, 2008**

(51) **LOC (9) Cl.** ..... **29-02**

(52) **U.S. Cl.** ..... **D24/110.1**

(58) **Field of Classification Search** ..... D24/110.1,  
D24/110.4, 110.5, 129, 164; 128/204.11,  
128/204.18, 204.23, 206.15, 206.21, 206.24,  
128/206.26, 206.27, 207.11, 207.12, 207.13,  
128/205.25

See application file for complete search history.

(56) **References Cited**

**U.S. PATENT DOCUMENTS**

D443,355 S *	6/2001	Gunaratnam et al. ....	D24/110.4
6,532,961 B1 *	3/2003	Gunaratnam et al. ...	128/206.21
D486,226 S *	2/2004	Guney et al. ....	D24/110.1
D493,885 S *	8/2004	Raje et al. ....	D24/110.1
D515,204 S *	2/2006	Guney et al. ....	D24/110.1
D519,207 S *	4/2006	Raje et al. ....	D24/110.1
D539,901 S	4/2007	McAuliffe	

**OTHER PUBLICATIONS**

Nga et al., U.S. Appl. No. 29/290,801, filed Jan. 15, 2008.  
Reid, U.S. Appl. No. 29/290,800, filed Jan. 15, 2008.  
Davidson et al., U.S. Appl. No. 29/274,635, filed May 10, 2007.  
Stallard et al., U.S. Appl. No. 29/268,823, filed Nov. 14, 2006.

\* cited by examiner

*Primary Examiner*—Ian Simmons

*Assistant Examiner*—Christopher Lee

(74) *Attorney, Agent, or Firm*—Nixon & Vanderhye P.C.

(57) **CLAIM**

The ornamental design for a frame for a mask, as shown and described.

**DESCRIPTION**

FIG. 1 is a front perspective view of a frame for a mask according to my design;

FIG. 2 is a front view thereof;

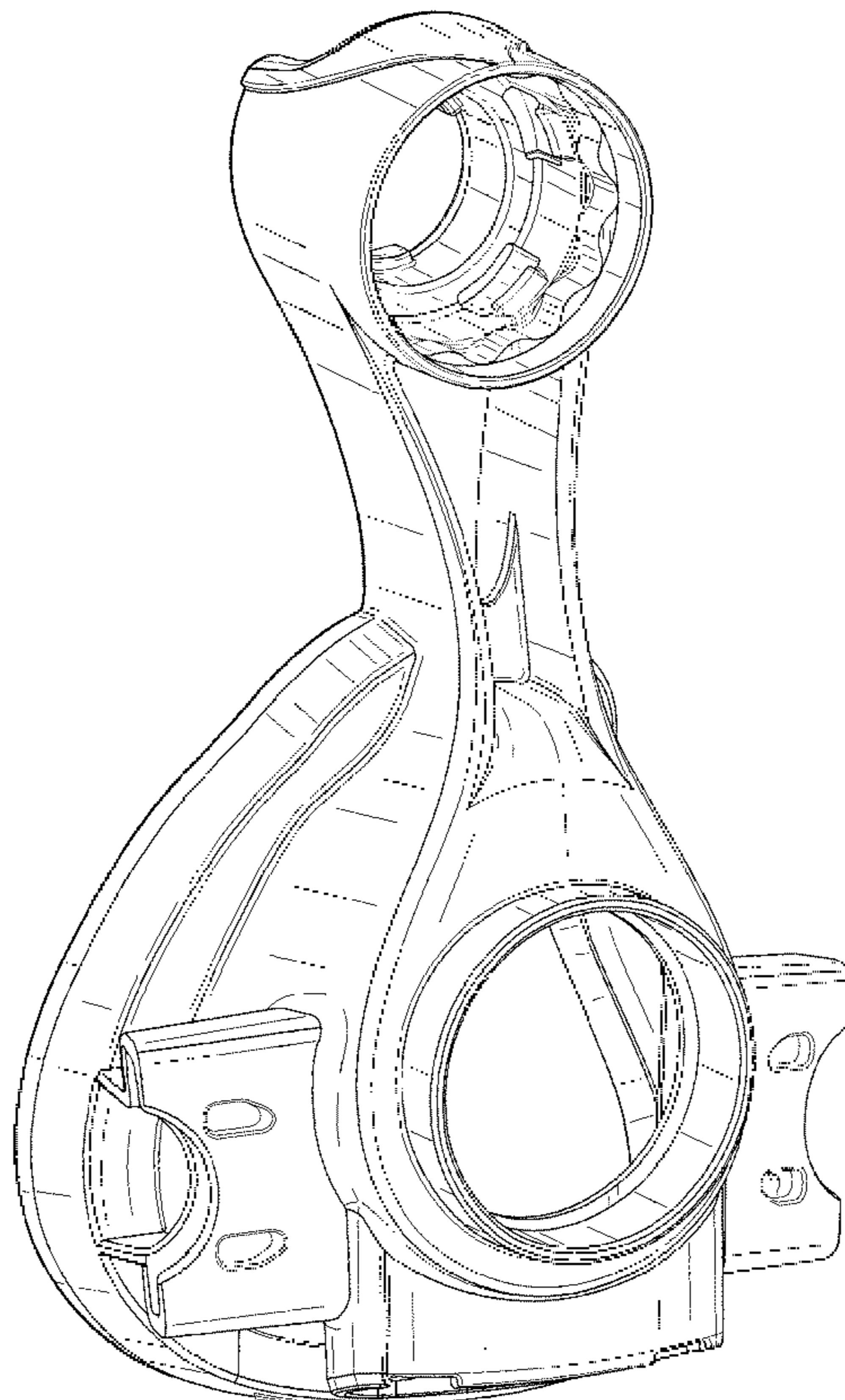
FIG. 3 is a rear view thereof;

FIG. 4 is a top view thereof;

FIG. 5 is a bottom view thereof; and,

FIG. 6 is a right side view thereof with the left side view being a mirror image.

**1 Claim, 5 Drawing Sheets**



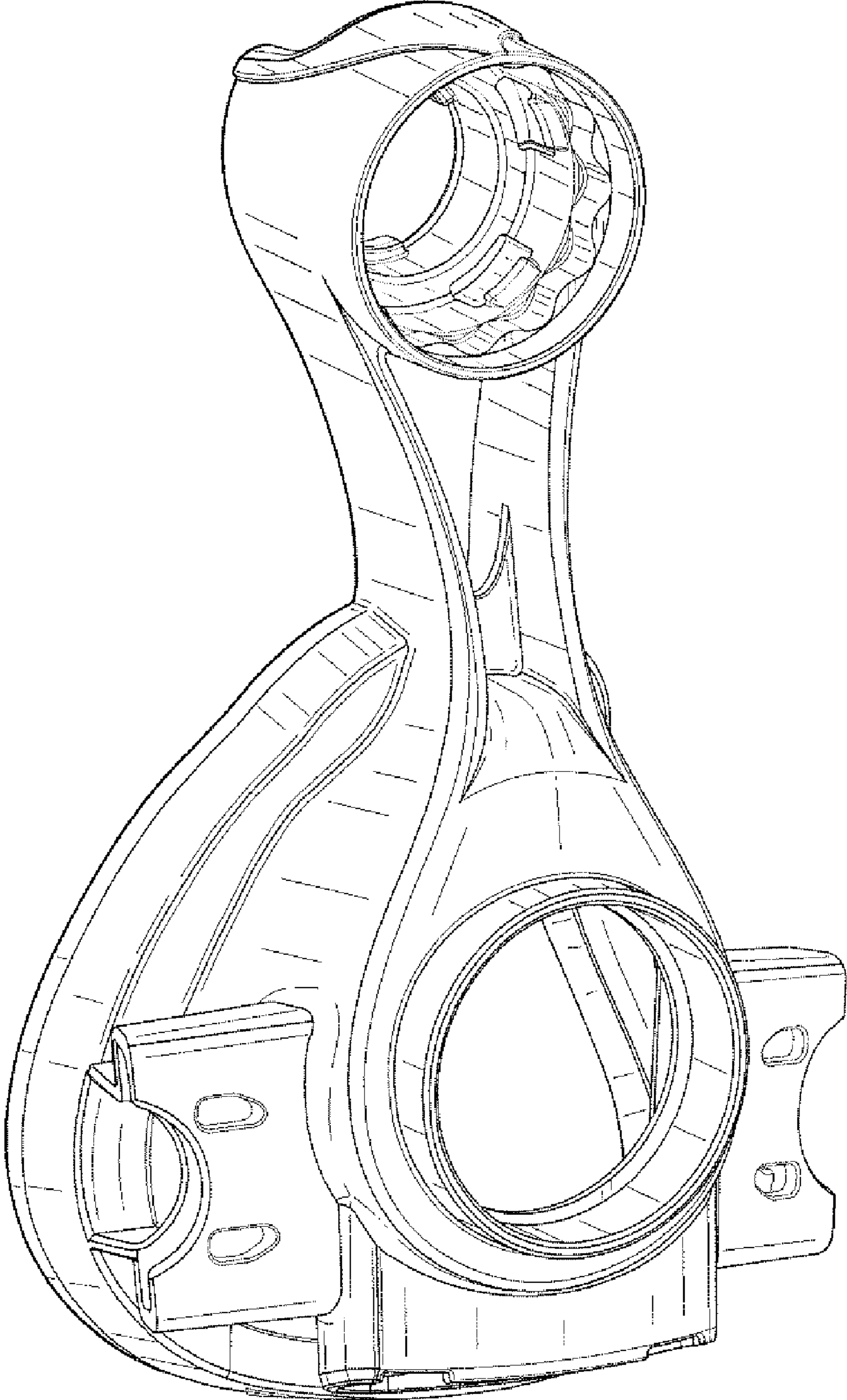


FIG. 1

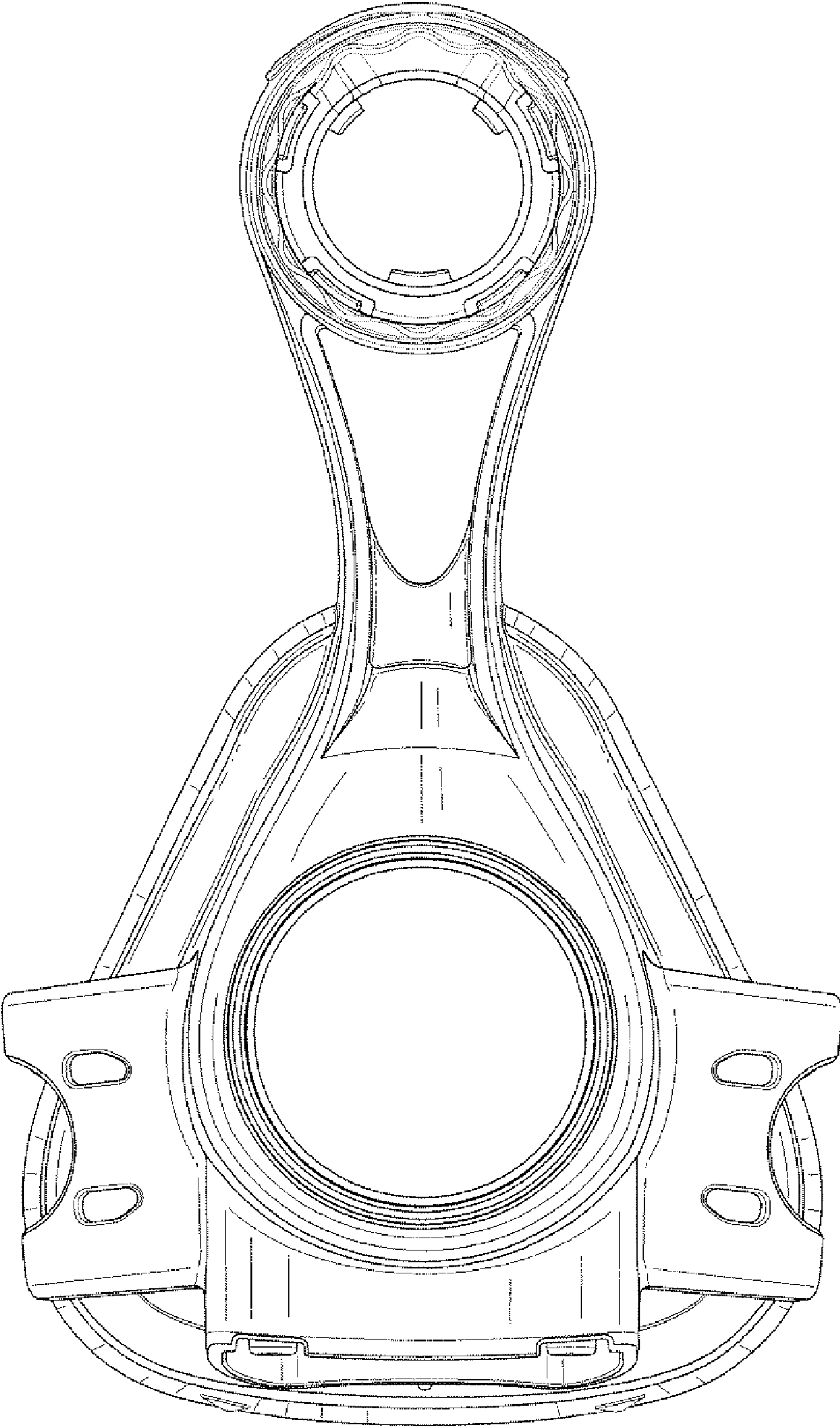


FIG. 2



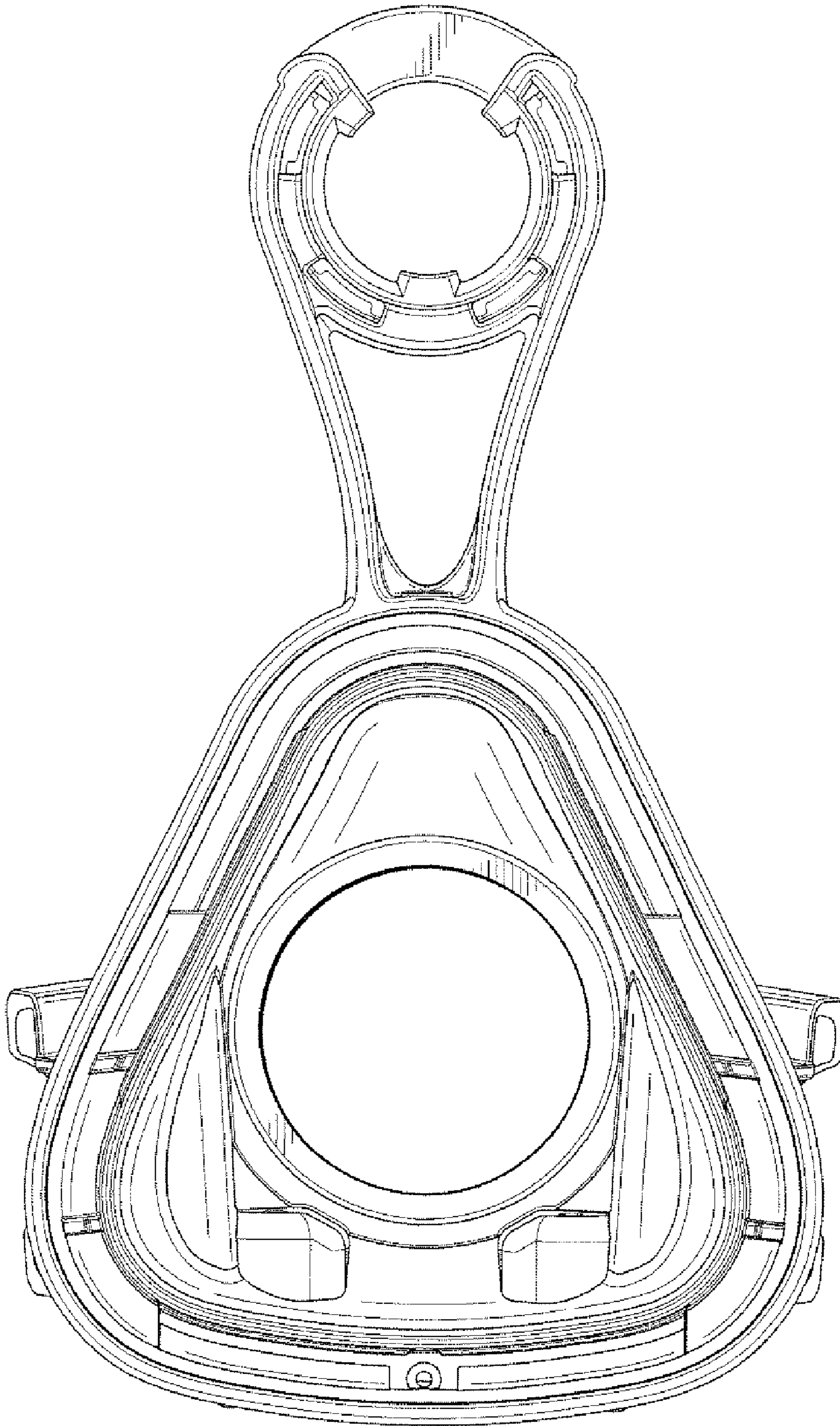
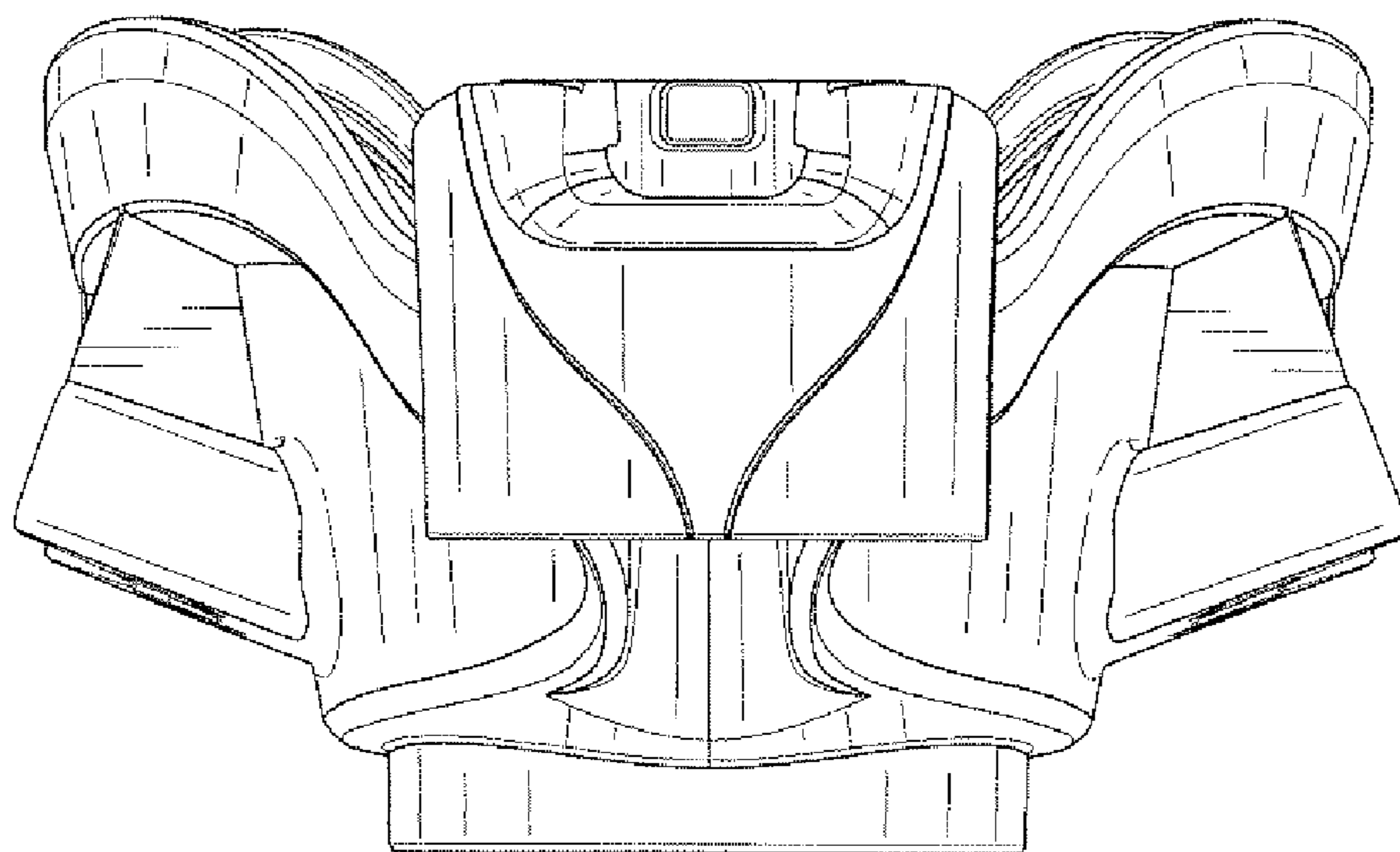
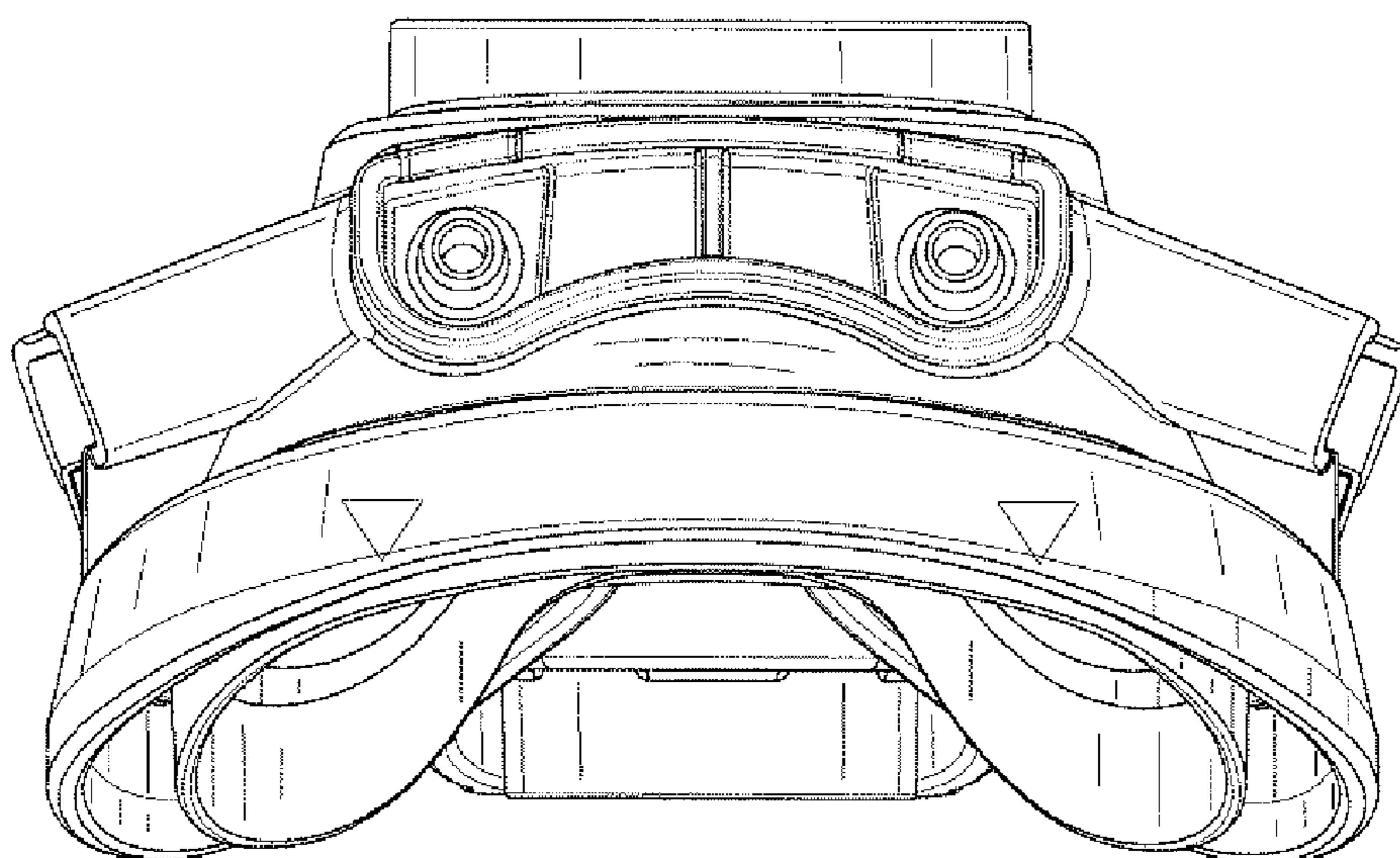


FIG. 3



**FIG. 4**



**FIG. 5**

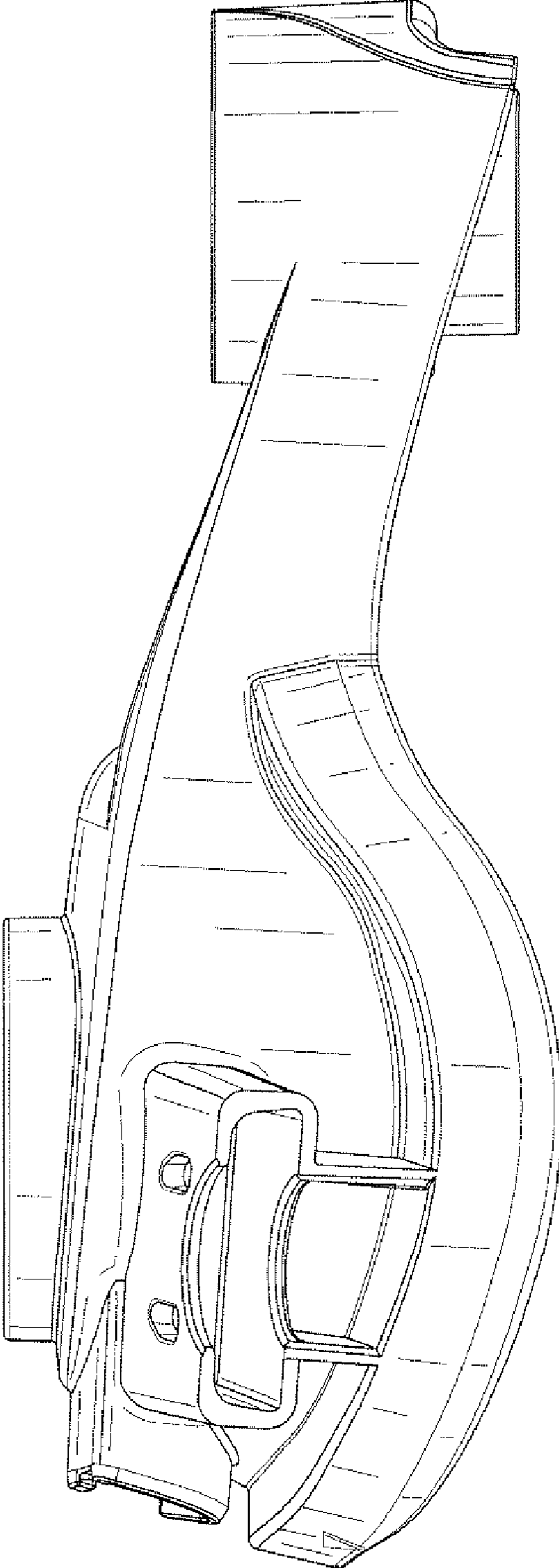


FIG. 6