



US00D597659S

(12) **United States Design Patent**
Chandran et al.

(10) **Patent No.:** **US D597,659 S**

(45) **Date of Patent:** **** Aug. 4, 2009**

(54) **VENTILATION INTERFACE**

(75) Inventors: **Sanjay Chandran**, Boca Raton, FL
(US); **Shara Hernandez**, Davie, FL
(US); **Louis Javier Collazo**, Atlanta, GA
(US)

(73) Assignee: **RespCare, Inc.**, Coconut Creek, FL
(US)

(**) Term: **14 Years**

(21) Appl. No.: **29/287,992**

(22) Filed: **Oct. 10, 2007**

Related U.S. Application Data

(63) Continuation of application No. 29/274,464, filed on
Apr. 26, 2007, now Pat. No. Des. 564,090.

(51) **LOC (9) Cl.** **29-02**

(52) **U.S. Cl.** **D24/110.1; D24/110.4**

(58) **Field of Classification Search** D24/110,
D24/110.1, 110.4, 110.5, 164; 128/206.11,
128/206.21, 206.27, 206.28, 207.11, 207.13,
128/207.17

See application file for complete search history.

(56) **References Cited**

U.S. PATENT DOCUMENTS

1,125,542 A	1/1915	Humphries
3,670,726 A	6/1972	Mahon et al.
3,739,774 A	6/1973	Gregory
3,754,552 A	8/1973	King
3,861,385 A	1/1975	Carden
3,902,486 A	9/1975	Guichard
3,905,381 A	9/1975	Hewson et al.
4,156,426 A	5/1979	Gold
4,248,218 A	2/1981	Fischer
4,267,845 A	5/1981	Robertson, Jr. et al.
4,273,124 A	6/1981	Zimmerman
4,312,359 A	1/1982	Olson
4,367,735 A	1/1983	Dali
4,367,816 A	1/1983	Wilkes

4,406,283 A	9/1983	Bir
4,422,456 A	12/1983	Tiep
4,493,614 A	1/1985	Chu et al.
4,549,542 A	10/1985	Chien
4,587,967 A	5/1986	Chu et al.
4,601,465 A	7/1986	Roy
4,617,637 A	10/1986	Chu et al.
4,660,555 A	4/1987	Payton
4,699,139 A	10/1987	Marshall et al.
4,706,664 A	11/1987	Snook et al.
4,753,233 A	6/1988	Grimes
4,774,946 A	10/1988	Ackerman et al.

(Continued)

FOREIGN PATENT DOCUMENTS

DD 146688 A 2/1981

(Continued)

OTHER PUBLICATIONS

Respiroics Co.—Mask Family—<http://maskfamily.respiroics.com/>, viewed on Feb. 19, 2008.

(Continued)

Primary Examiner—Ian Simmons
Assistant Examiner—Christopher Lee
(74) *Attorney, Agent, or Firm*—Maier & Maier, PLLC

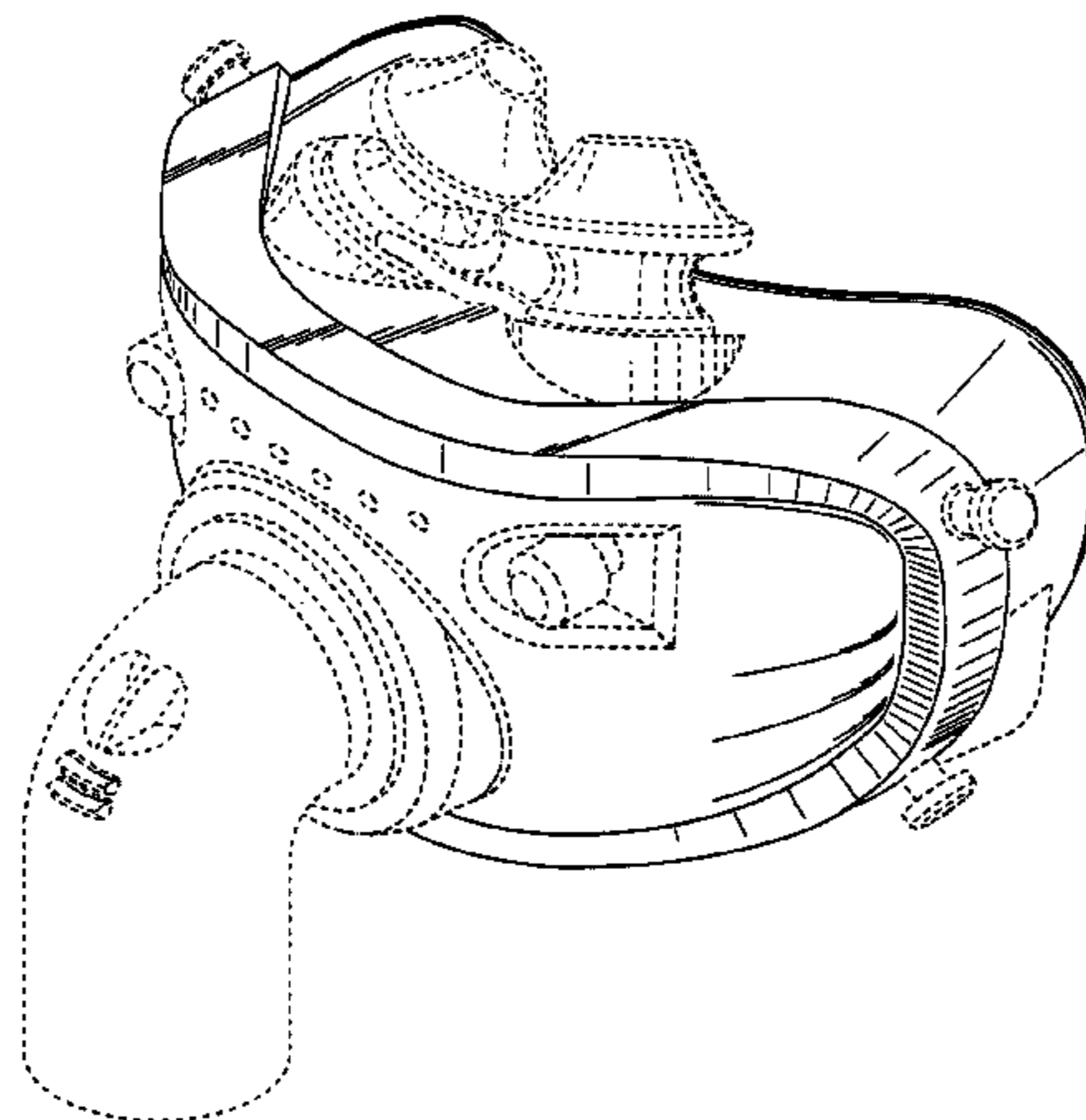
(57) **CLAIM**

The ornamental design for a ventilation interface, as shown and described.

DESCRIPTION

FIG. 1 is a top and right front perspective view of a ventilation interface, showing our design;
FIG. 2 is a right side view thereof;
FIG. 3 is a left side view thereof;
FIG. 4 is a front view thereof;
FIG. 5 is a rear view thereof;
FIG. 6 is a top view thereof; and,
FIG. 7 is a bottom view thereof.

1 Claim, 4 Drawing Sheets



U.S. PATENT DOCUMENTS

4,782,832 A 11/1988 Trimble et al.
 4,899,740 A 2/1990 Napolitano
 4,915,105 A 4/1990 Lee
 4,996,983 A 3/1991 AmRhein
 5,000,173 A 3/1991 Zalkin et al.
 5,022,900 A 6/1991 Bar-Yona et al.
 5,025,805 A 6/1991 Nutter
 5,038,772 A 8/1991 Kolbe et al.
 5,046,491 A 9/1991 Derrick
 5,074,297 A 12/1991 Venegas
 5,113,857 A 5/1992 Dickerman et al.
 5,121,745 A 6/1992 Israel
 5,127,397 A 7/1992 Kohnke
 5,137,017 A 8/1992 Salter
 D333,015 S 2/1993 Farmer et al.
 5,188,101 A 2/1993 Tumolo
 5,265,592 A 11/1993 Beaussant
 5,265,595 A 11/1993 Rudolph
 5,269,296 A 12/1993 Landis
 5,271,391 A 12/1993 Graves
 5,299,599 A 4/1994 Farmer et al.
 5,335,656 A 8/1994 Bowe et al.
 5,355,893 A 10/1994 Mick et al.
 5,372,130 A 12/1994 Stern et al.
 5,375,593 A 12/1994 Press
 5,385,141 A 1/1995 Granatiero
 5,394,568 A 3/1995 Brostrom et al.
 5,396,885 A 3/1995 Nelson
 5,398,676 A 3/1995 Press et al.
 5,399,513 A 3/1995 Liou
 5,400,776 A 3/1995 Bartholomew
 5,437,267 A 8/1995 Weinstein et al.
 5,509,409 A 4/1996 Weatherholt
 5,526,806 A 6/1996 Sansoni
 5,533,506 A 7/1996 Wood
 5,560,354 A 10/1996 Berthon-Jones et al.
 5,682,881 A 11/1997 Winthrop et al.
 5,740,799 A 4/1998 Nielson
 5,794,619 A 8/1998 Edelman et al.
 5,906,203 A 5/1999 Klockseth et al.
 5,954,049 A 9/1999 Foley et al.
 6,123,071 A 9/2000 Berthon-Jones et al.
 6,357,441 B1 3/2002 Kwok et al.
 6,431,172 B1 8/2002 Bordewick
 6,439,234 B1 8/2002 Curtis et al.
 6,478,026 B1 11/2002 Wood
 6,561,188 B1 5/2003 Ellis
 6,561,193 B1 5/2003 Noble
 6,571,798 B1 6/2003 Thornton

6,581,601 B2 6/2003 Ziaee
 6,581,602 B2 6/2003 Kwok et al.
 6,595,214 B1 7/2003 Hecker et al.
 6,595,215 B2 7/2003 Wood
 6,637,434 B2 10/2003 Noble
 6,655,385 B1 12/2003 Curtis et al.
 D485,905 S 1/2004 Moore et al.
 6,679,265 B2 1/2004 Strickland et al.
 6,766,800 B2 7/2004 Chu et al.
 2002/0046755 A1 4/2002 DeVoss
 2002/0053347 A1 5/2002 Ziaee
 2002/0124849 A1 9/2002 Billette De Villemeur
 2003/0079749 A1 5/2003 Strickland et al.
 2003/0196658 A1 10/2003 Ging et al.
 2004/0112384 A1 6/2004 Lithgow et al.
 2005/0028822 A1 2/2005 Sleeper et al.
 2005/0033247 A1 2/2005 Thompson
 2005/0051176 A1 3/2005 Riggins
 2005/0061326 A1 3/2005 Payne, Jr.
 2006/0124131 A1* 6/2006 Chandran et al. 128/206.28
 2006/0137690 A1 6/2006 Gunaratnam et al.
 2006/0174887 A1* 8/2006 Chandran et al. 128/206.11
 2006/0237017 A1 10/2006 Davidson et al.
 2006/0266361 A1* 11/2006 Hernandez 128/206.11
 2006/0283461 A1 12/2006 Lubke et al.
 2007/0144525 A1 6/2007 Davidson et al.
 2007/0272249 A1 11/2007 Chandran et al.
 2008/0006277 A1 1/2008 Worboys et al.

FOREIGN PATENT DOCUMENTS

DE 3719009 A1 12/1988
 DE 19944242 A1 3/2001
 EP 0658356 A2 6/1995
 GB 532214 A 1/1941
 GB 2368533 A 5/2002
 WO WO 01/97892 A1 12/2001
 WO WO 2005/063328 A1 7/2005
 WO 2008/040050 A1 4/2008

OTHER PUBLICATIONS

ResMed Co.—Mask Products—<http://www.resmed.com/en-us/products/products.html?menu=products>, viewed on Feb. 19, 2008.
 Fisher and Paykel Co.—Product Family—<http://www.fphcare.com/osa/products.asp>, viewed on Feb. 19, 2008.
 Hans Rudolph Inc.—Mask Products—<http://www.rudolphhk.com/products.php?category=MASKS>, viewed on Feb. 19, 2008.
 Snapp Nasal Interface, Tiara Medical Systems, Inc. http://www.cpap-prime.com/tiara_snapp.htm, viewed on Feb. 10, 2008.

* cited by examiner

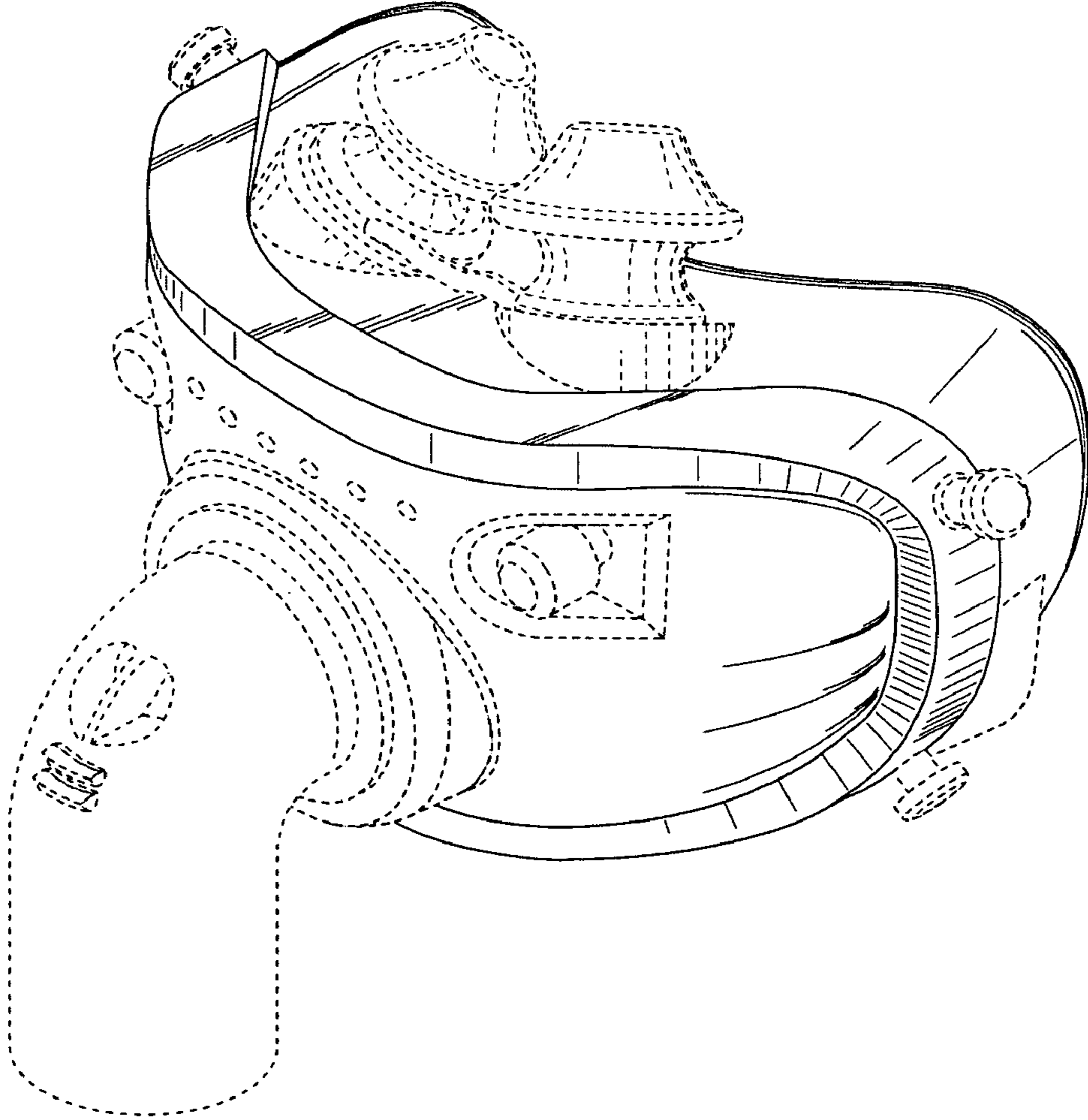


Fig. 1

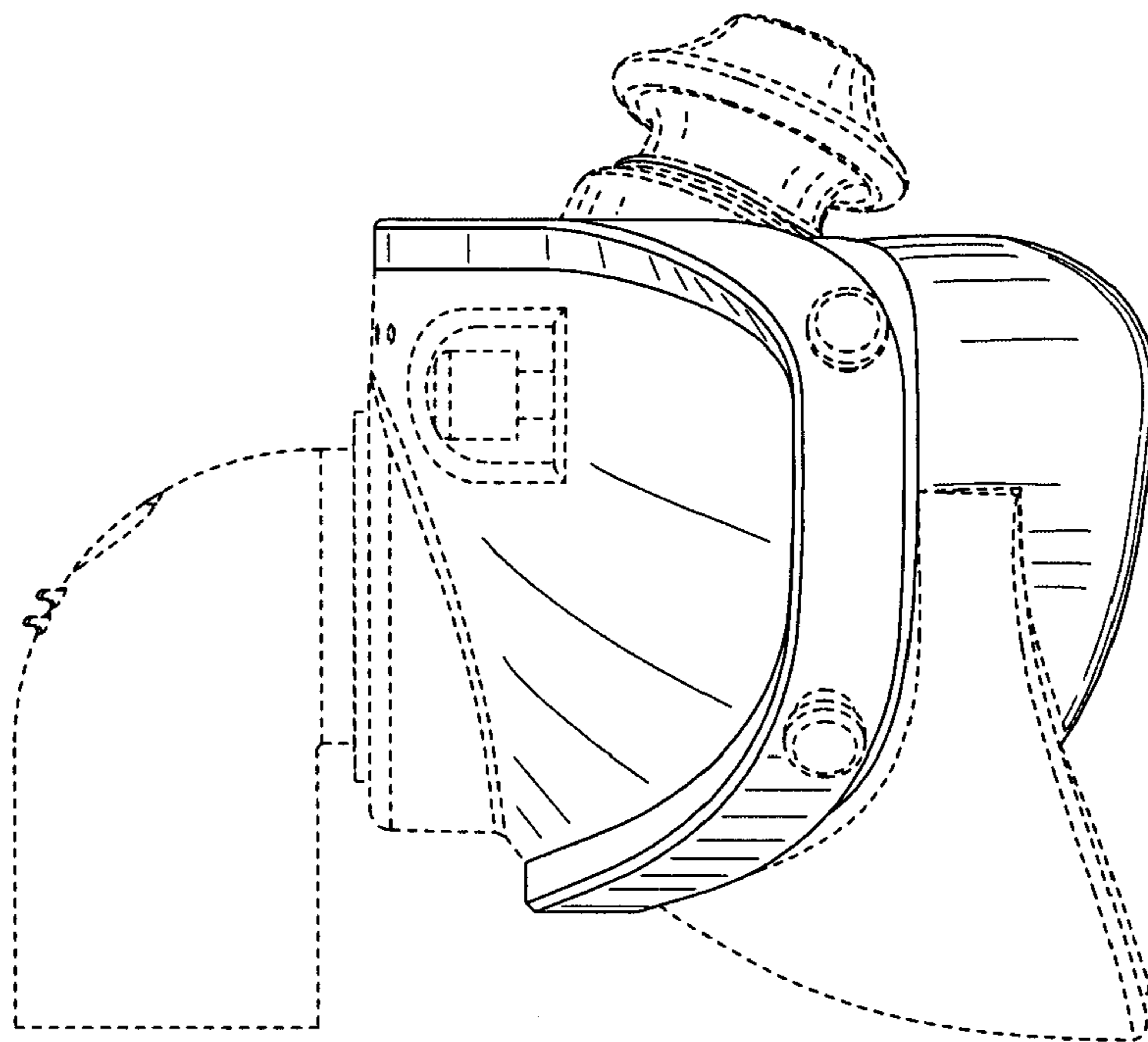


Fig. 2

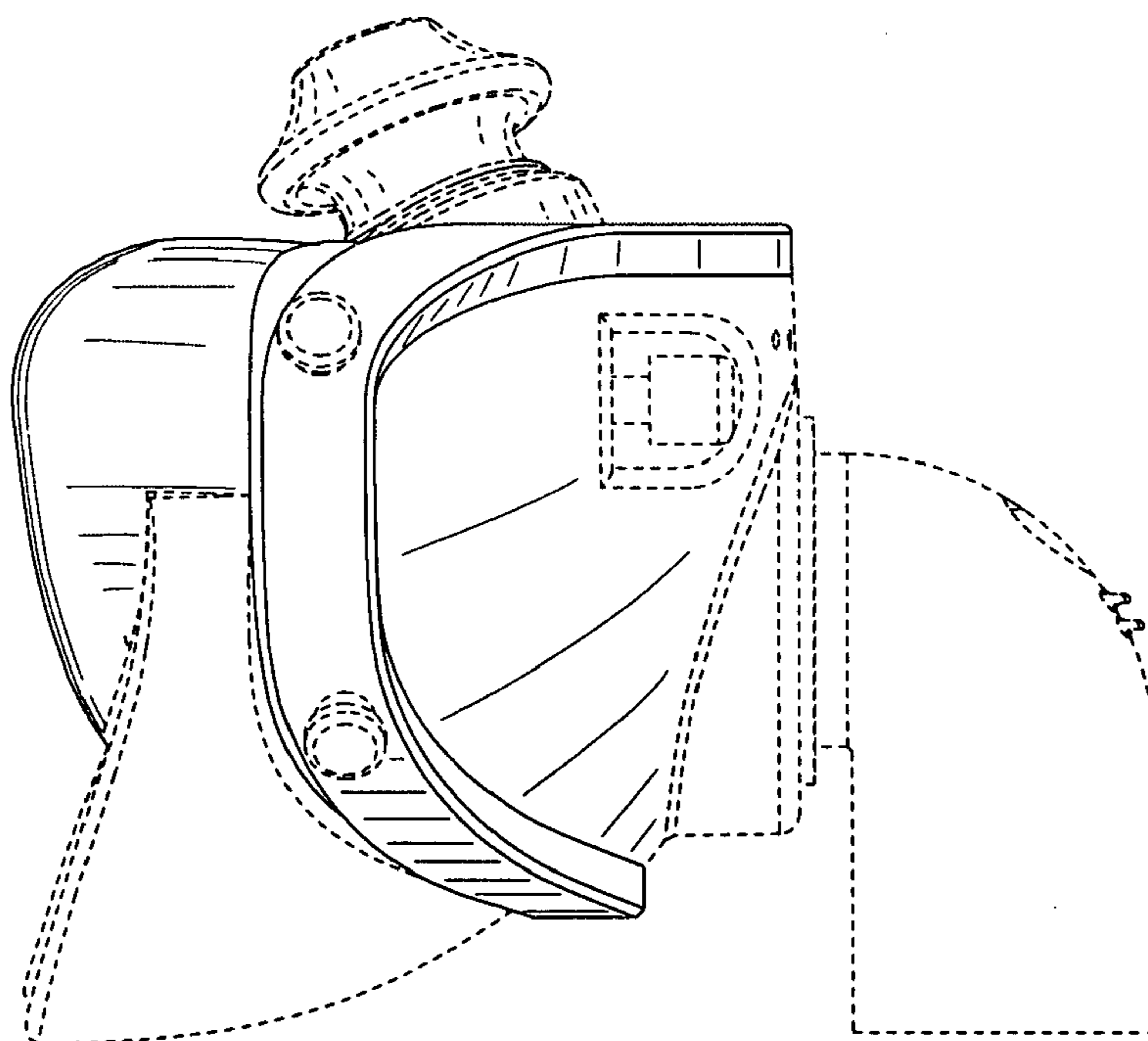


Fig. 3

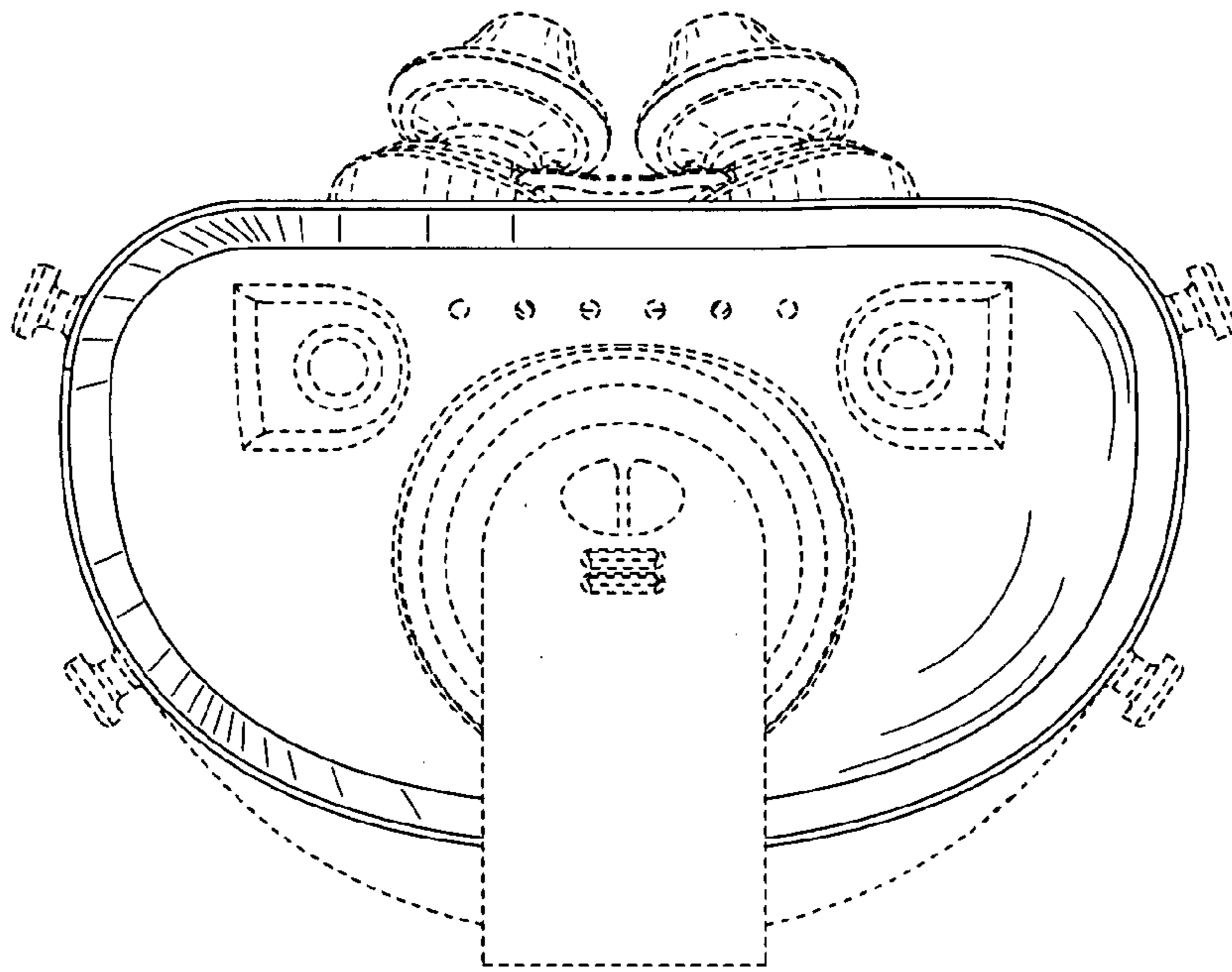


Fig. 4

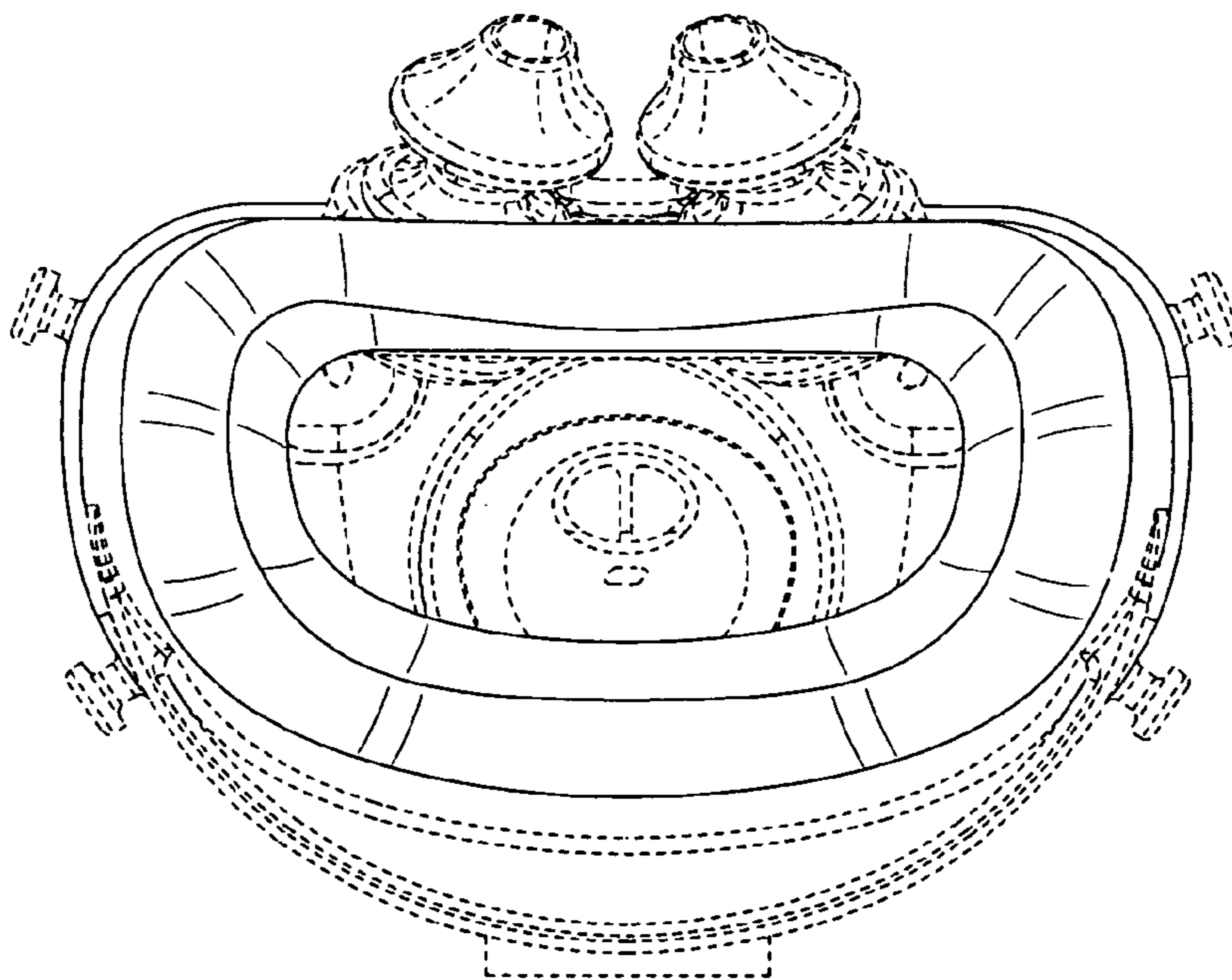


Fig. 5

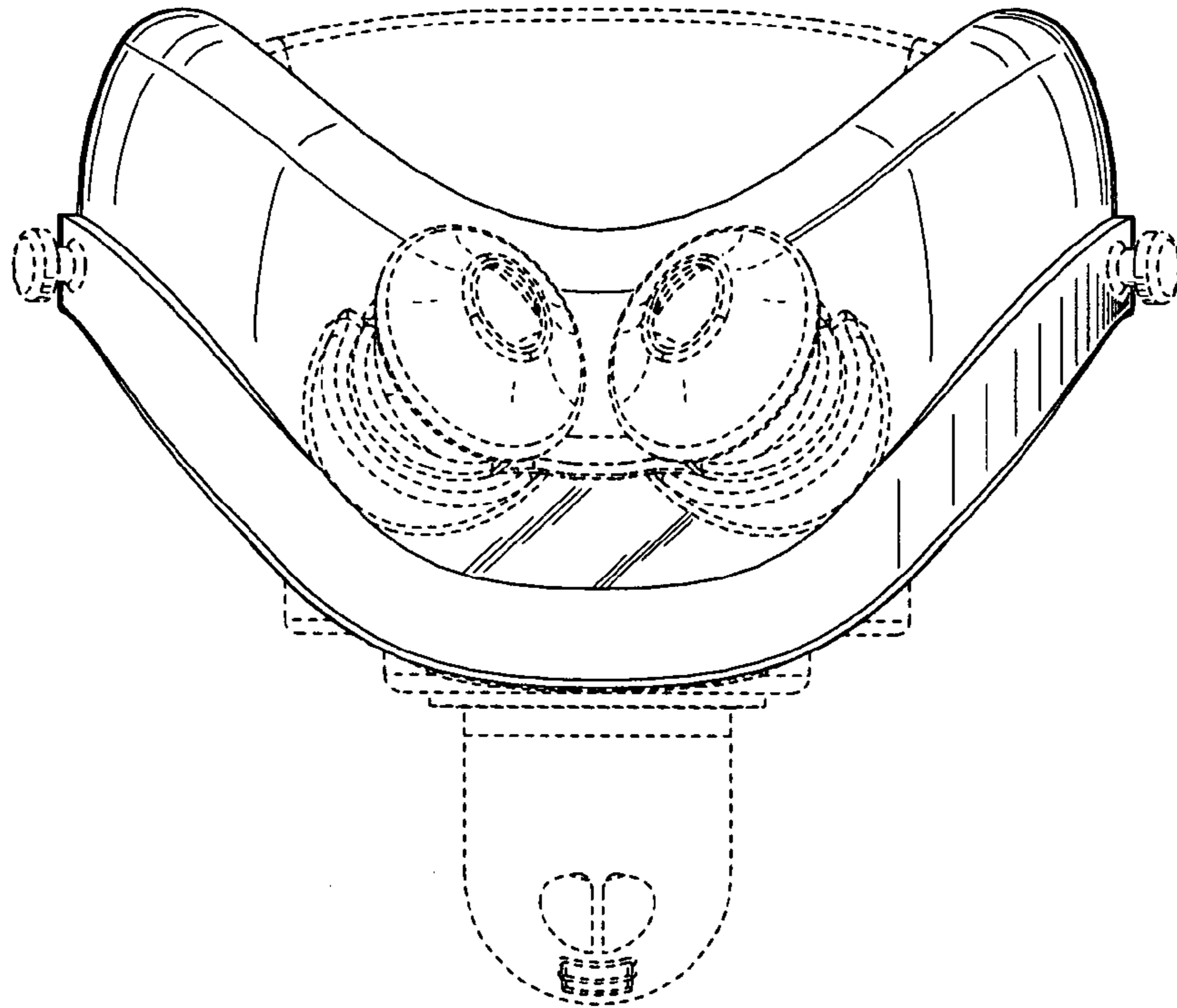


Fig. 6

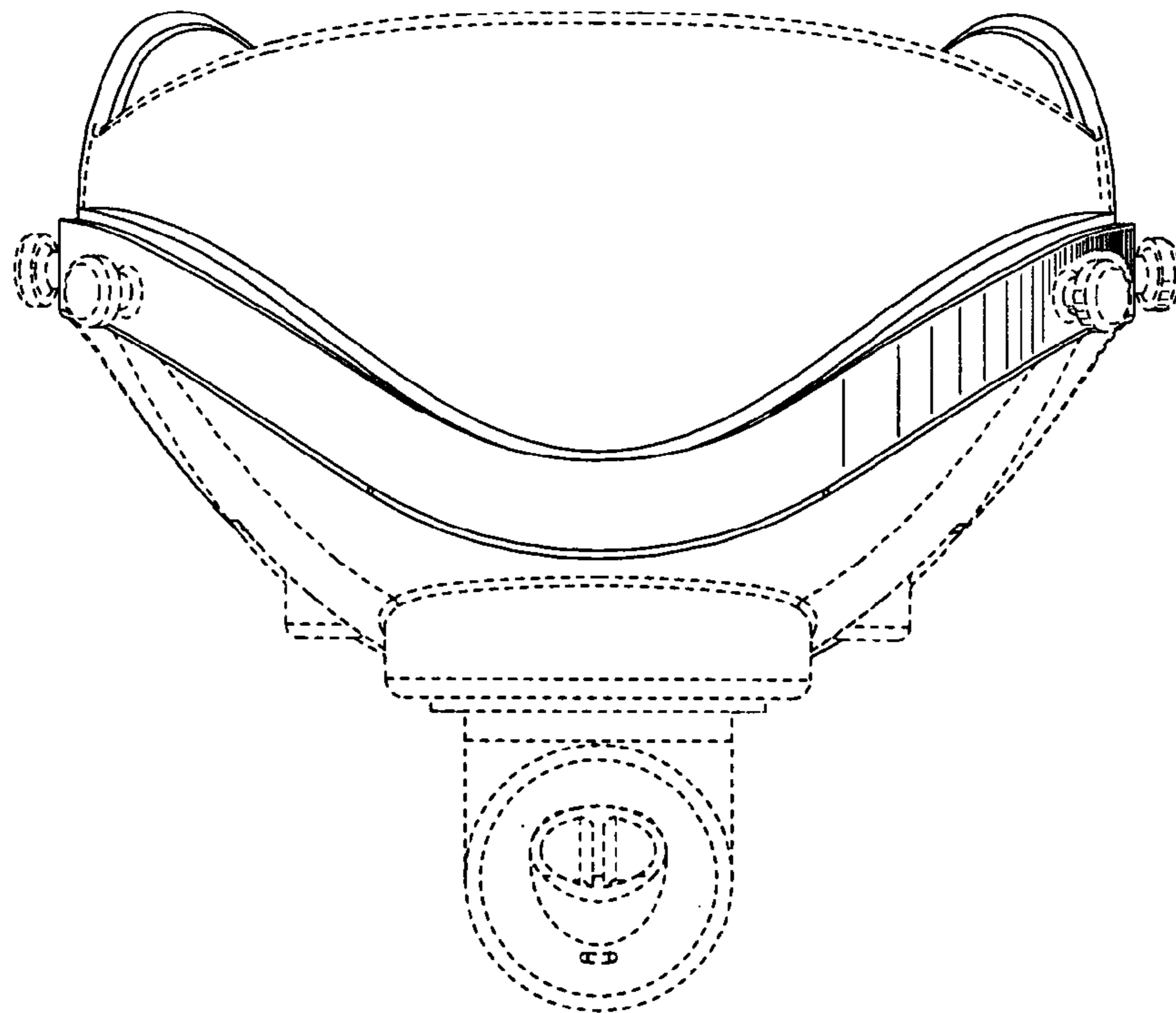


Fig. 7