



US00D597657S

(12) **United States Design Patent**  
**Kinsey et al.**

(10) **Patent No.:** **US D597,657 S**  
(45) **Date of Patent:** **\*\* Aug. 4, 2009**

(54) **DRY POWDER INHALER**

D463,544 S \* 9/2002 Engelbreth et al. .... D24/110

(75) Inventors: **P. Spencer Kinsey**, Sandy Hook, CT (US); **Benoit Adamo**, Mount Kisco, NY (US); **Chad C. Smutney**, Watertown, CT (US); **John M. Polidoro**, Coventry, CT (US)

\* cited by examiner

*Primary Examiner*—Ian Simmons  
*Assistant Examiner*—Christopher Lee  
(74) *Attorney, Agent, or Firm*—K&L Gates LLP; Louis C. Cullman, Esq.; Brian J. Novak

(73) Assignee: **MannKind Corporation**, Valencia, CA (US)

(57) **CLAIM**

The ornamental design for a dry powder inhaler, as shown and described.

(\*\*) Term: **14 Years**

(21) Appl. No.: **29/319,777**

**DESCRIPTION**

(22) Filed: **Jun. 13, 2008**

FIG. 1 is a side and top perspective view of our new dry powder inhaler design.

(51) **LOC (9) Cl.** ..... **29-02**

FIG. 2 is a side view of the inhaler shown in FIG. 1

(52) **U.S. Cl.** ..... **D24/110**

FIG. 3 is a top view of the inhaler shown in FIG. 1.

(58) **Field of Classification Search** ..... D24/110;  
128/203.15, 203.13, 200.21, 200.14, 200.23  
See application file for complete search history.

FIG. 4 is a bottom view of the inhaler shown in FIG. 1.

FIG. 5 is a side view of the inhaler in FIG. 1 in an open configuration.

(56) **References Cited**

FIG. 6 is a side and top perspective view of the inhaler of FIG. 1 in an open configuration.

**U.S. PATENT DOCUMENTS**

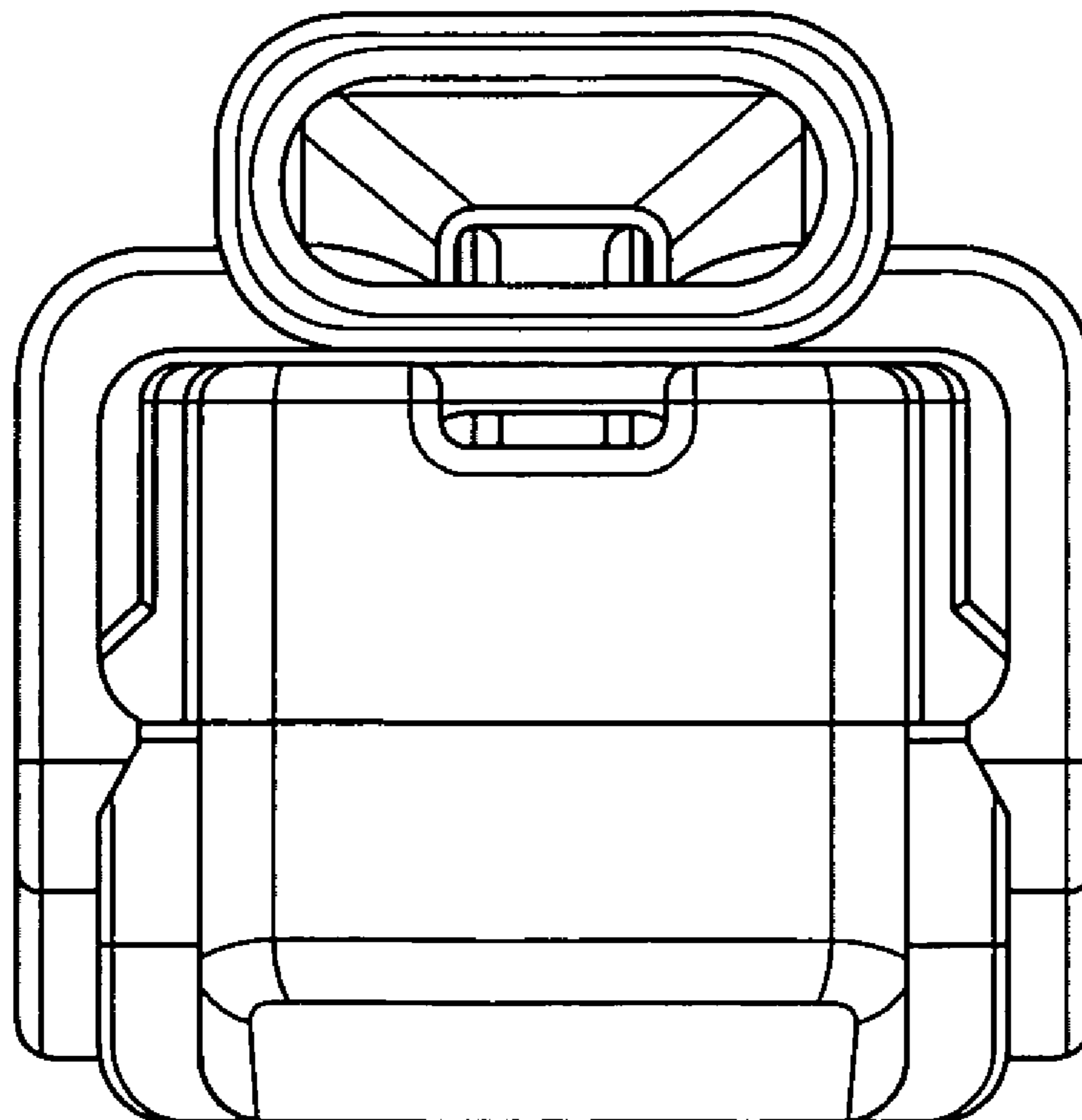
FIG. 7 is a front view of the inhaler of FIG. 1; and,

D276,654 S \* 12/1984 Snellman-Wasenius et al. .... D24/110

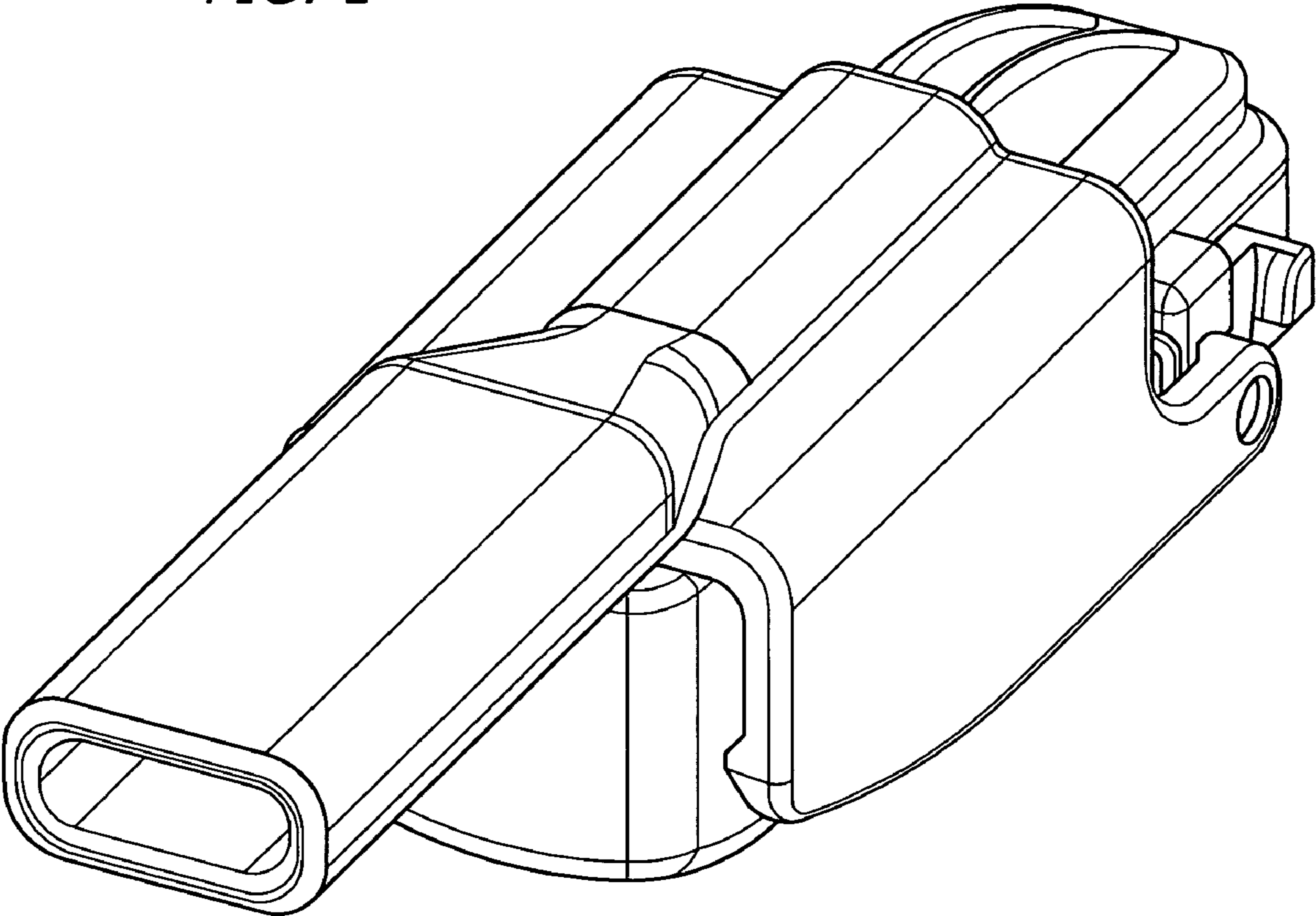
FIG. 8 is a back view of the inhaler of FIG. 1.

D326,517 S \* 5/1992 Funai et al. .... D24/110

**1 Claim, 7 Drawing Sheets**



*FIG. 1*



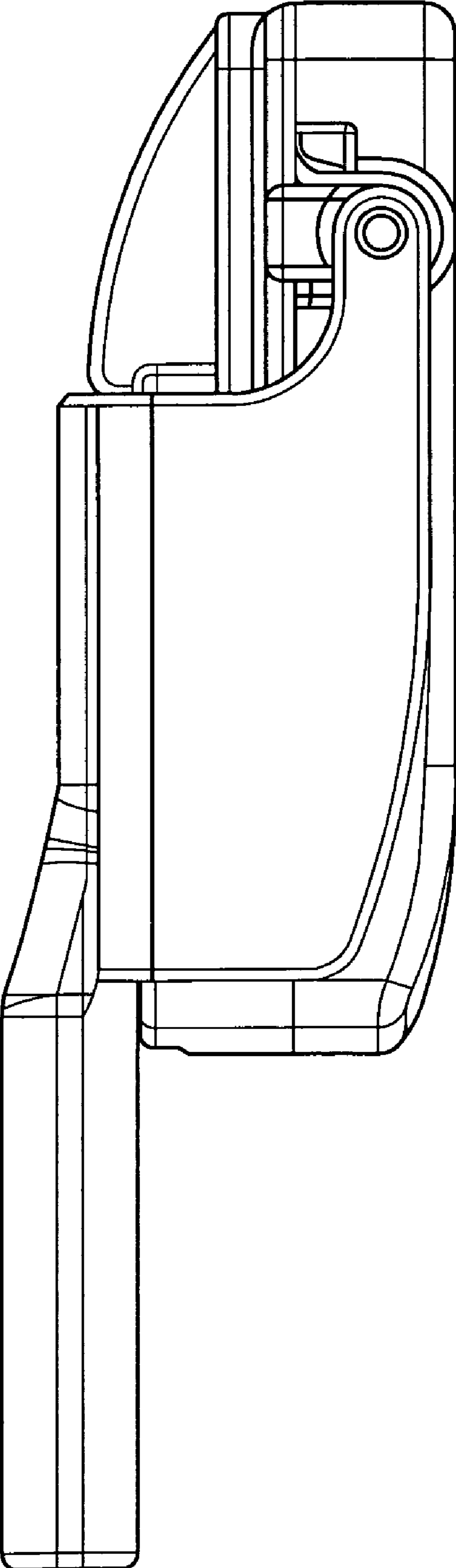
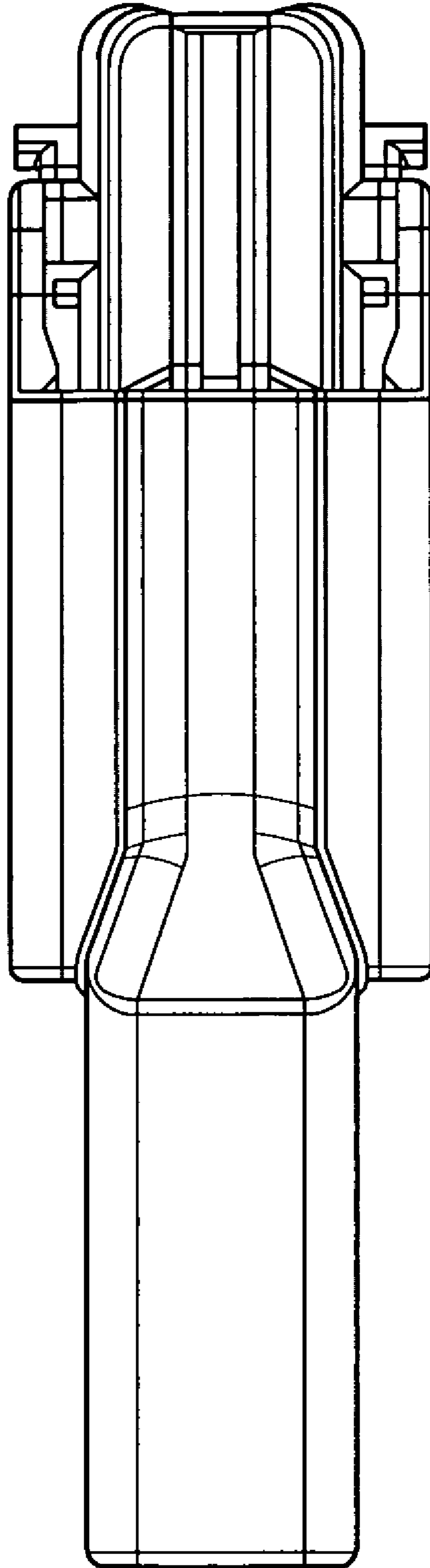
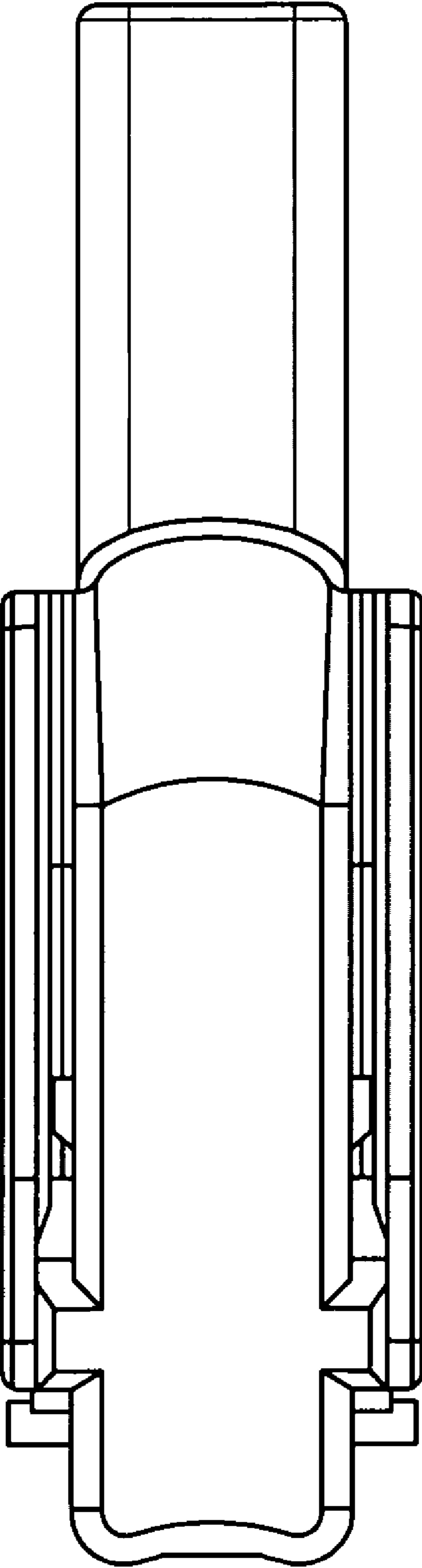


FIG. 2

*FIG. 3*



*FIG. 4*



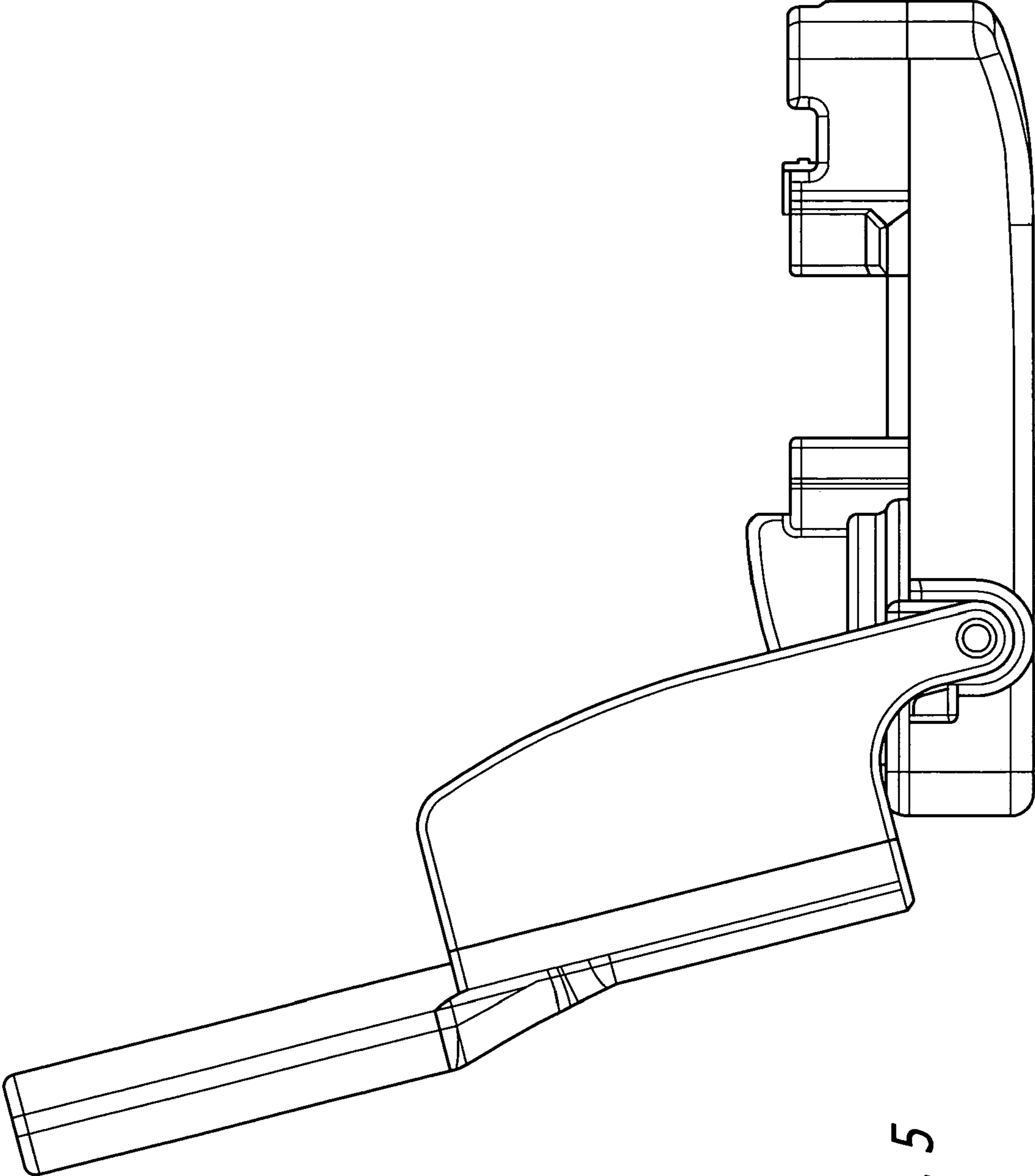
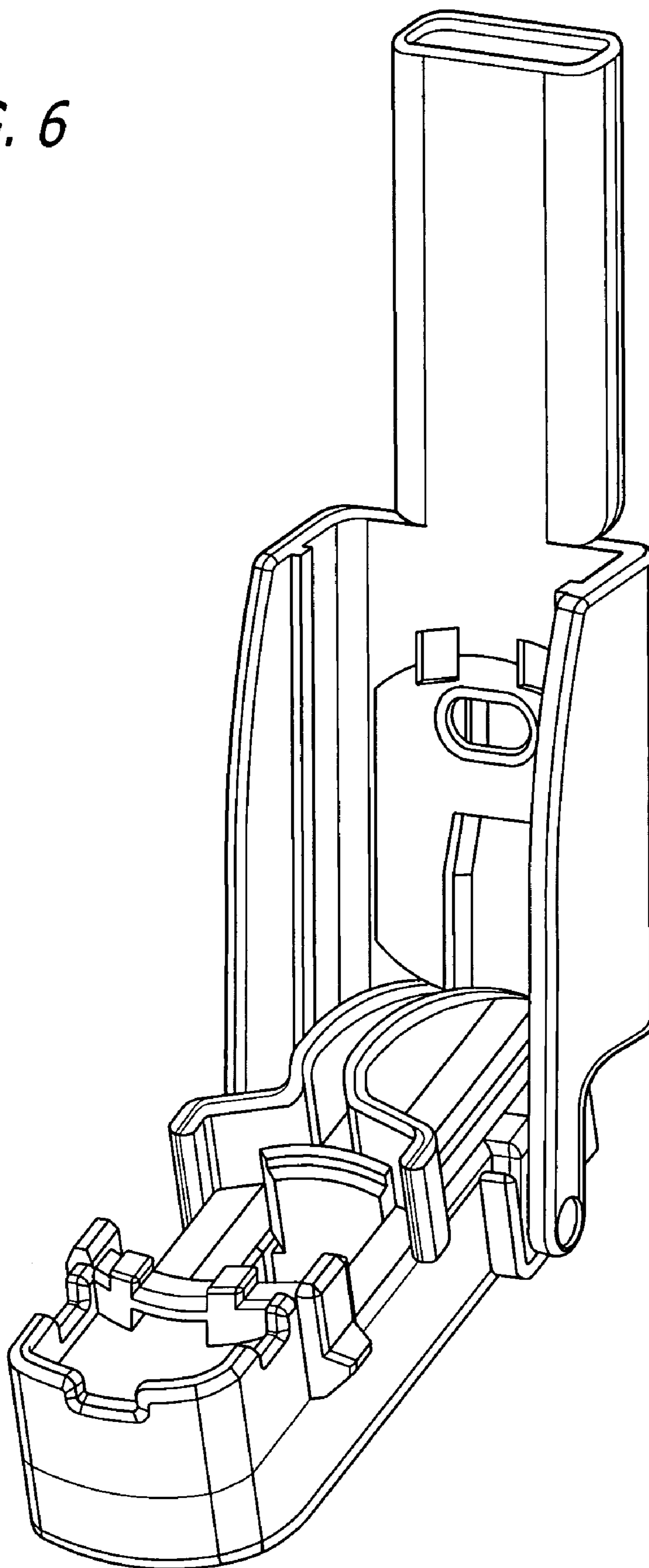
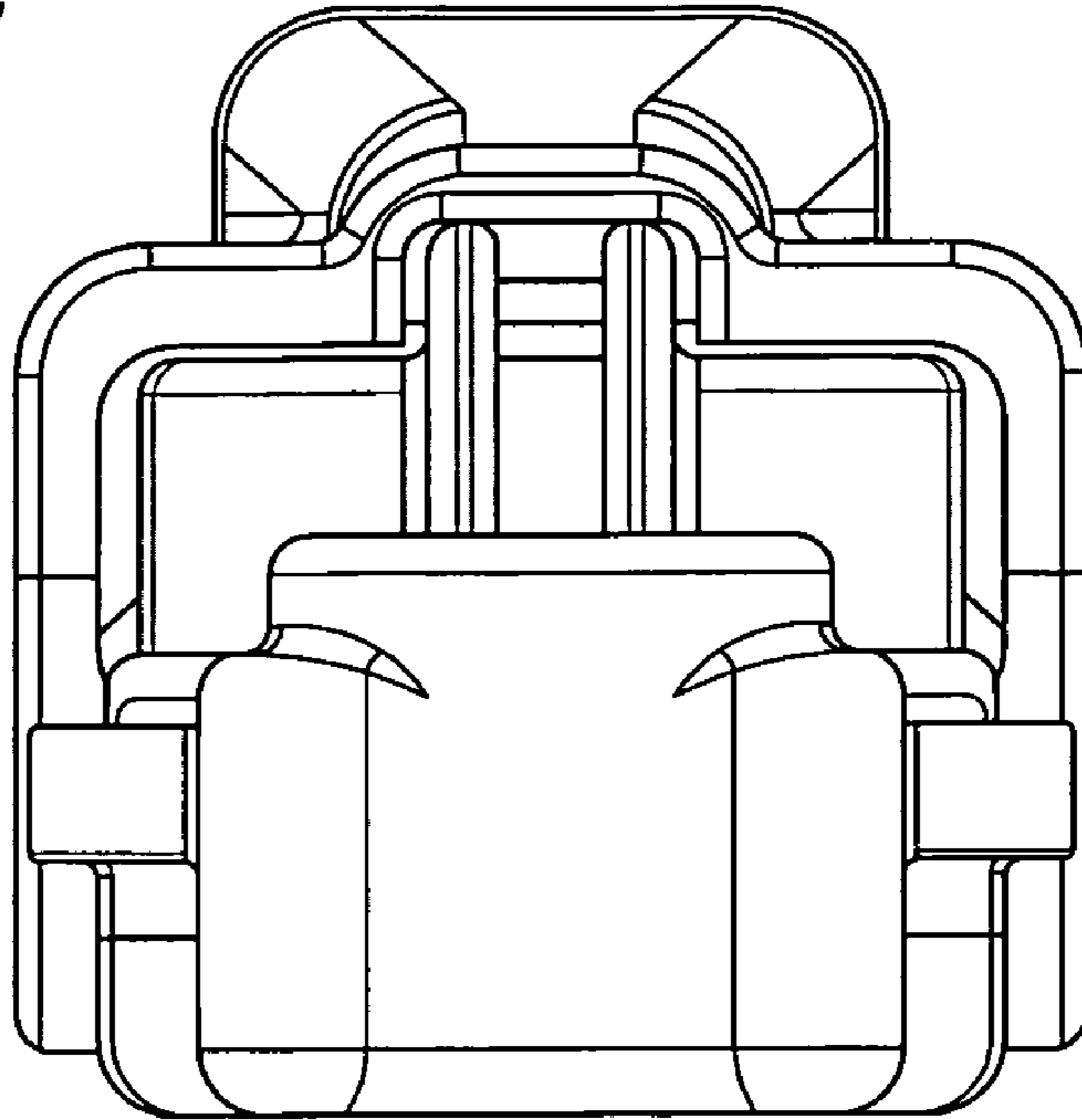


FIG. 5

*FIG. 6*



*FIG. 7*



*FIG. 8*

