



US00D597655S

(12) **United States Design Patent**
Hidalgo

(10) **Patent No.:** **US D597,655 S**

(45) **Date of Patent:** **** Aug. 4, 2009**

(54) **CEILING FAN BLADE IRON**

(75) Inventor: **Rolando Hidalgo**, Yorba Linda, CA (US)

(73) Assignee: **Minka Lighting, Inc.**, Corona, CA (US)

(**) Term: **14 Years**

(21) Appl. No.: **29/323,312**

(22) Filed: **Aug. 22, 2008**

(51) **LOC (9) Cl.** **23-04**

(52) **U.S. Cl.** **D23/411**

(58) **Field of Classification Search** D23/377,
D23/379, 385, 411, 413; 416/5

See application file for complete search history.

(56) **References Cited**

U.S. PATENT DOCUMENTS

D271,330 S	11/1983	Yung	
D328,638 S	8/1992	Hsieh	
D382,955 S *	8/1997	Liu D23/411
D392,033 S	3/1998	Jaspers-Fayer	
D396,101 S	7/1998	Jaspers-Fayer	
D453,218 S	1/2002	Hidalgo	
D453,826 S	2/2002	Hidalgo	
D454,630 S	3/2002	Hidalgo	
D457,235 S	5/2002	Hidalgo	
D470,931 S	2/2003	Hidalgo	
D518,567 S *	4/2006	Hidalgo D23/411
D564,651 S *	3/2008	Pan D23/411

OTHER PUBLICATIONS

MinkaAire 2008 Catalog; Jan. 2008; p. 5; Minka Lighting, Inc.; U.S.A.

Monte Carlo Internet Catalog; Designer Hugger; Model #5DH52BP; printed from hansenwholesale.com on May 10, 2008.

Craftmade Internet Catalog; Contemporary Flushmount 52; Model #FC52AB; printed from hansenwholesale.com on Jul. 15, 2008.

Emerson Internet Catalog; Contemporary Snugger 52; Model #CF805SBS; printed from hansenwholesale.com on Jul. 15, 2008.

* cited by examiner

Primary Examiner—Lisa P Lichtenstein

(74) *Attorney, Agent, or Firm*—Baker & McKenzie LLP

(57) **CLAIM**

The ornamental design for a ceiling fan blade iron, as shown and described.

DESCRIPTION

FIG. 1 is a perspective view of a ceiling fan blade iron showing my new design in use;

FIG. 2 is an enlarged bottom perspective view of the ceiling fan blade iron in accordance with my design;

FIG. 3 is an enlarged bottom plan view of the ceiling fan blade iron in accordance with my design;

FIG. 4 is an enlarged top plan view of the ceiling fan blade iron in accordance with my design;

FIG. 5 is an enlarged side elevation view of the ceiling fan blade iron in accordance with my design;

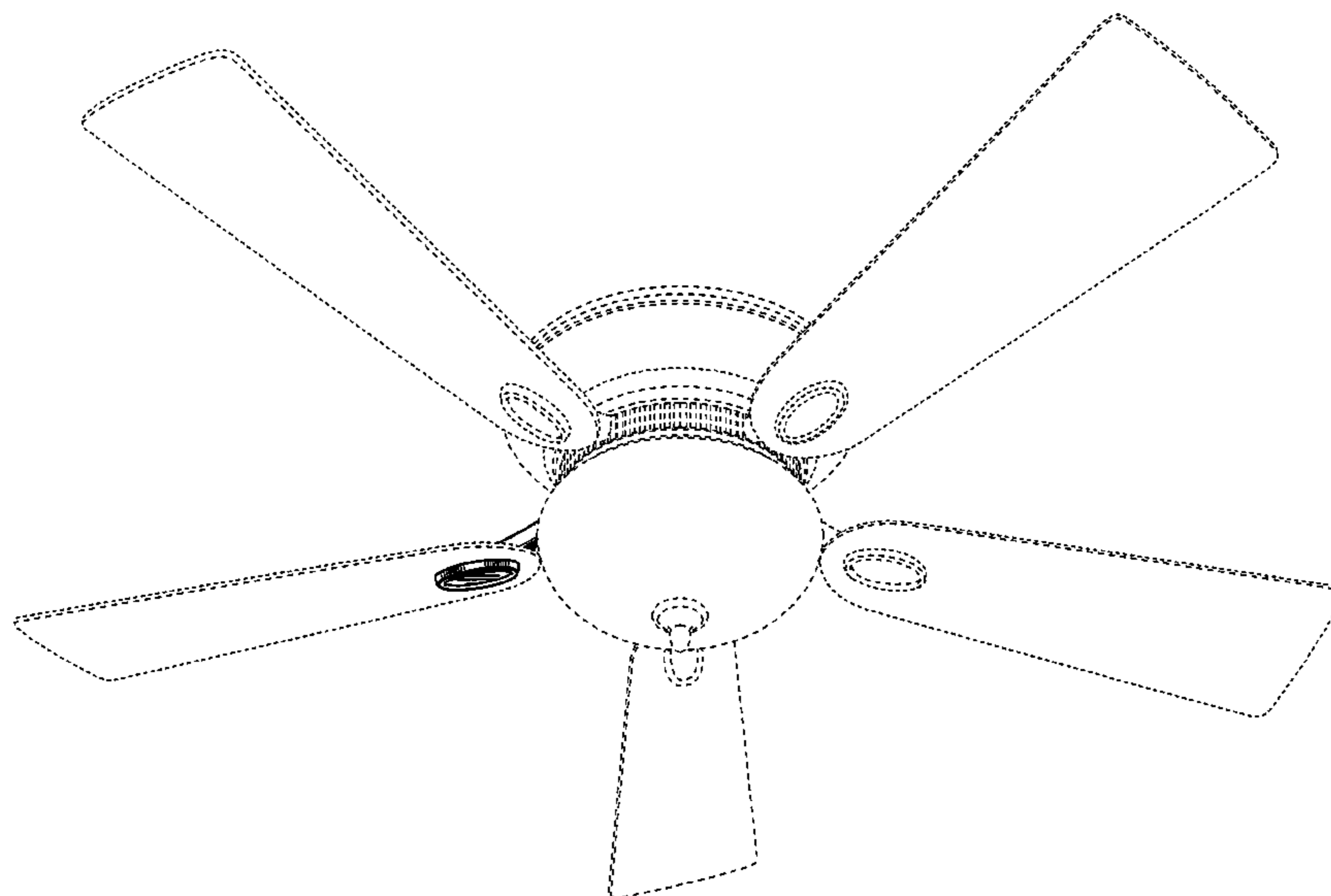
FIG. 6 is an enlarged opposite side elevation view of the ceiling fan blade iron in accordance with my design;

FIG. 7 is an enlarged front elevation view of the ceiling fan blade iron in accordance with my design; and,

FIG. 8 is an enlarged back elevation view of the ceiling fan blade iron in accordance with my design.

The broken line showing of the ceiling fan light fixture, the ceiling fan blade, ceiling fan blade irons, attachment member, apertures and the motor housing is included for the purpose of illustrating environmental structure and forms no part of the claimed design.

1 Claim, 3 Drawing Sheets



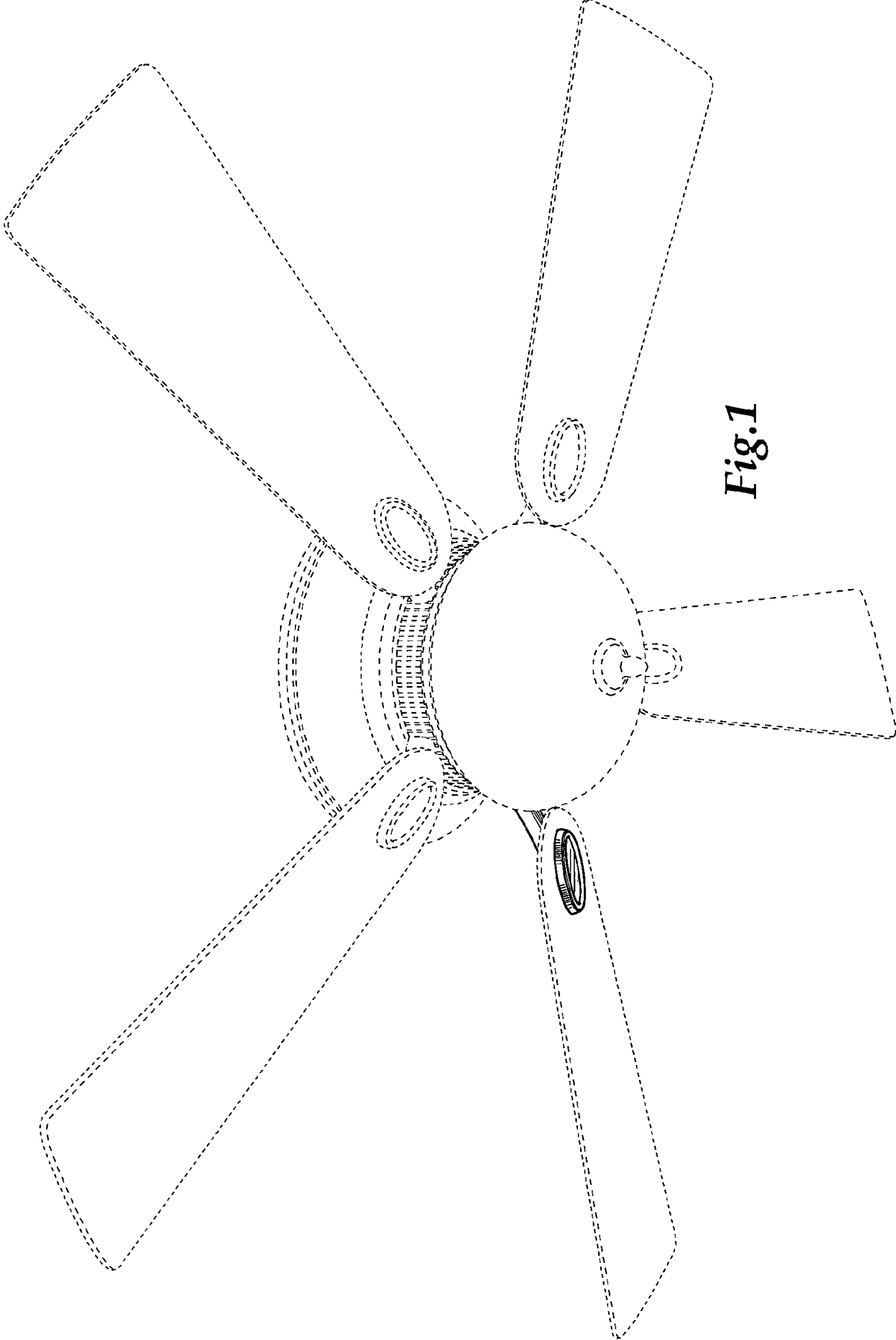


Fig. 1

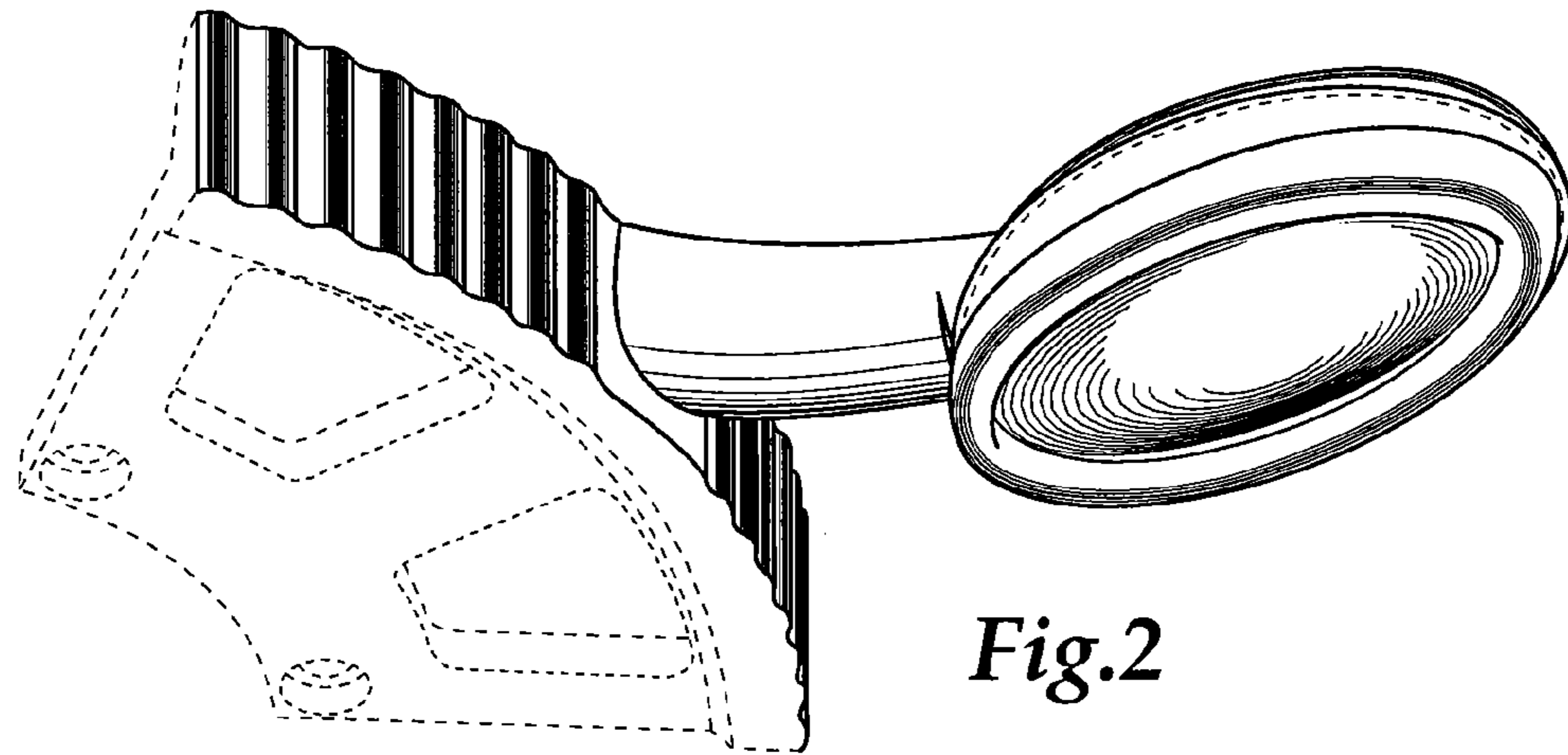


Fig.2

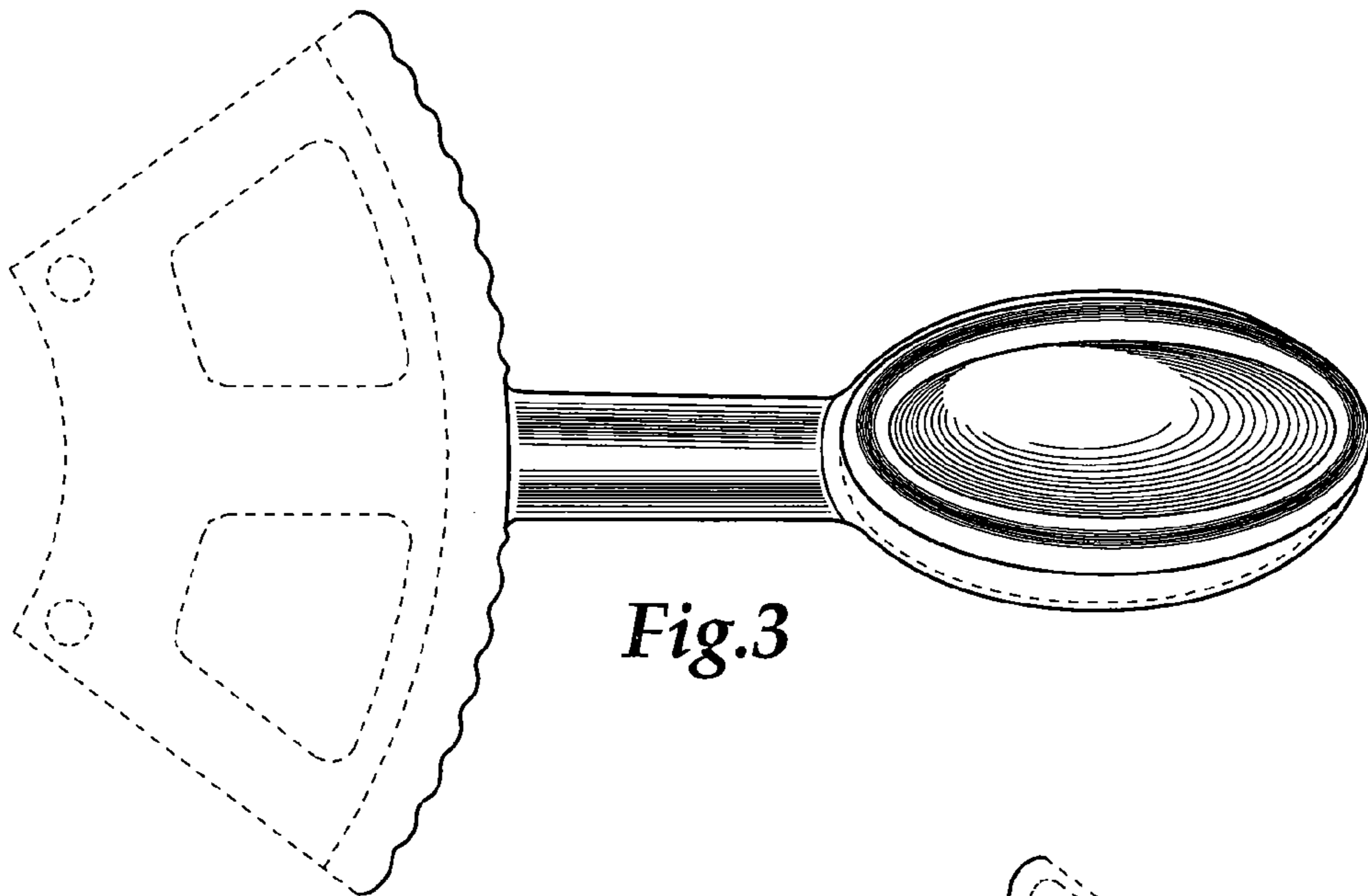


Fig.3

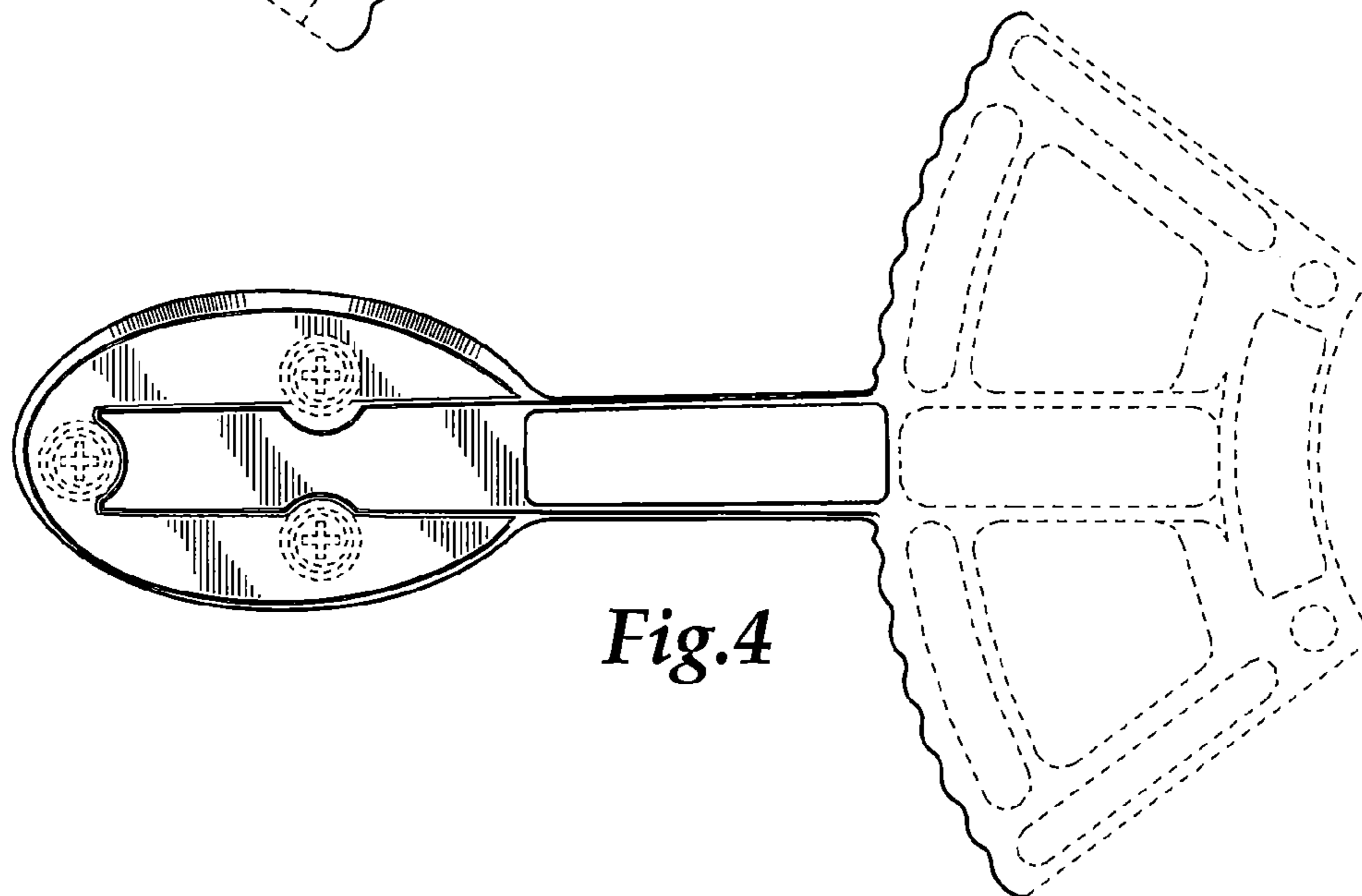


Fig.4

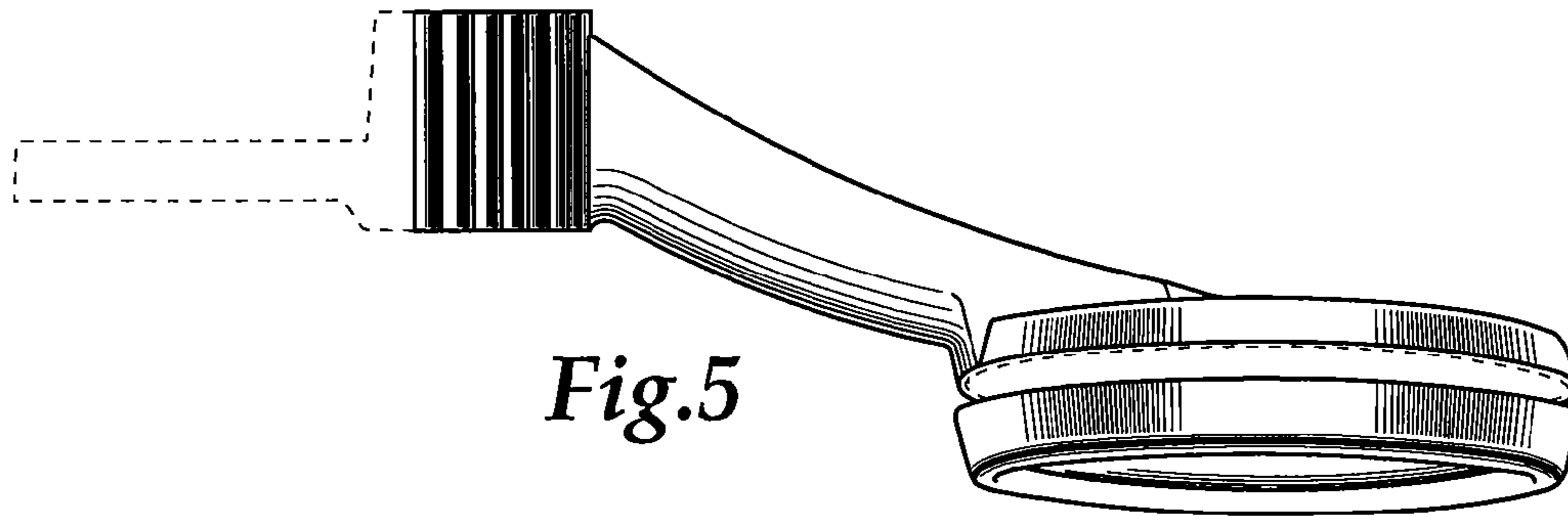


Fig.5

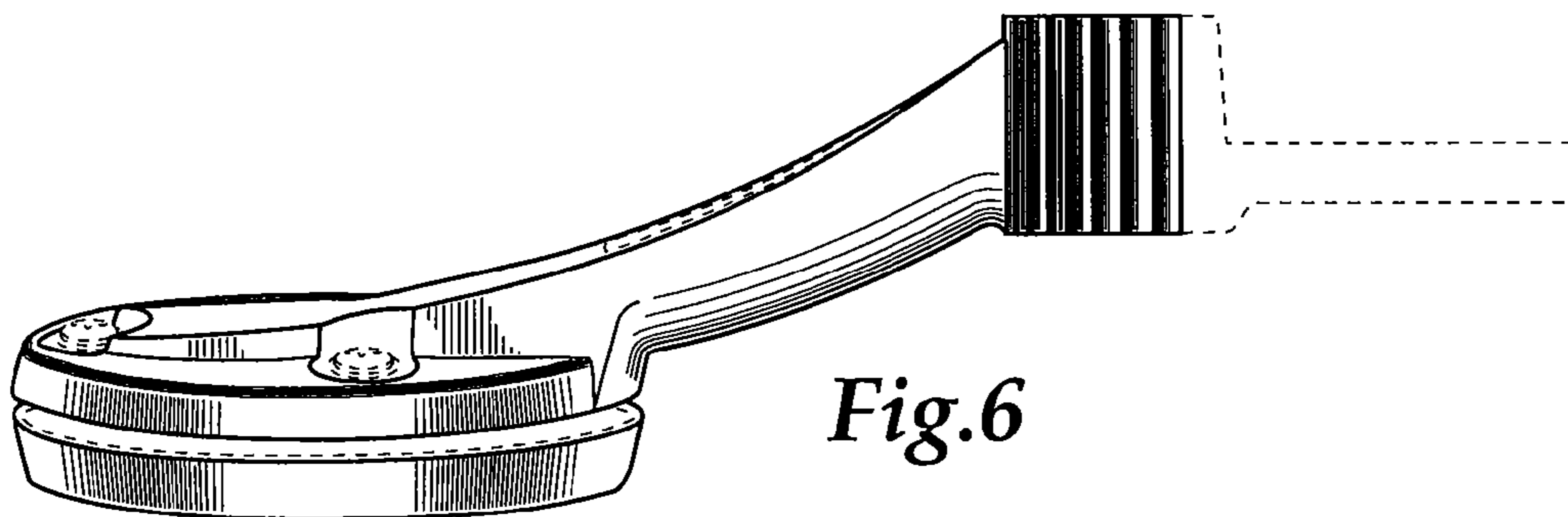


Fig.6

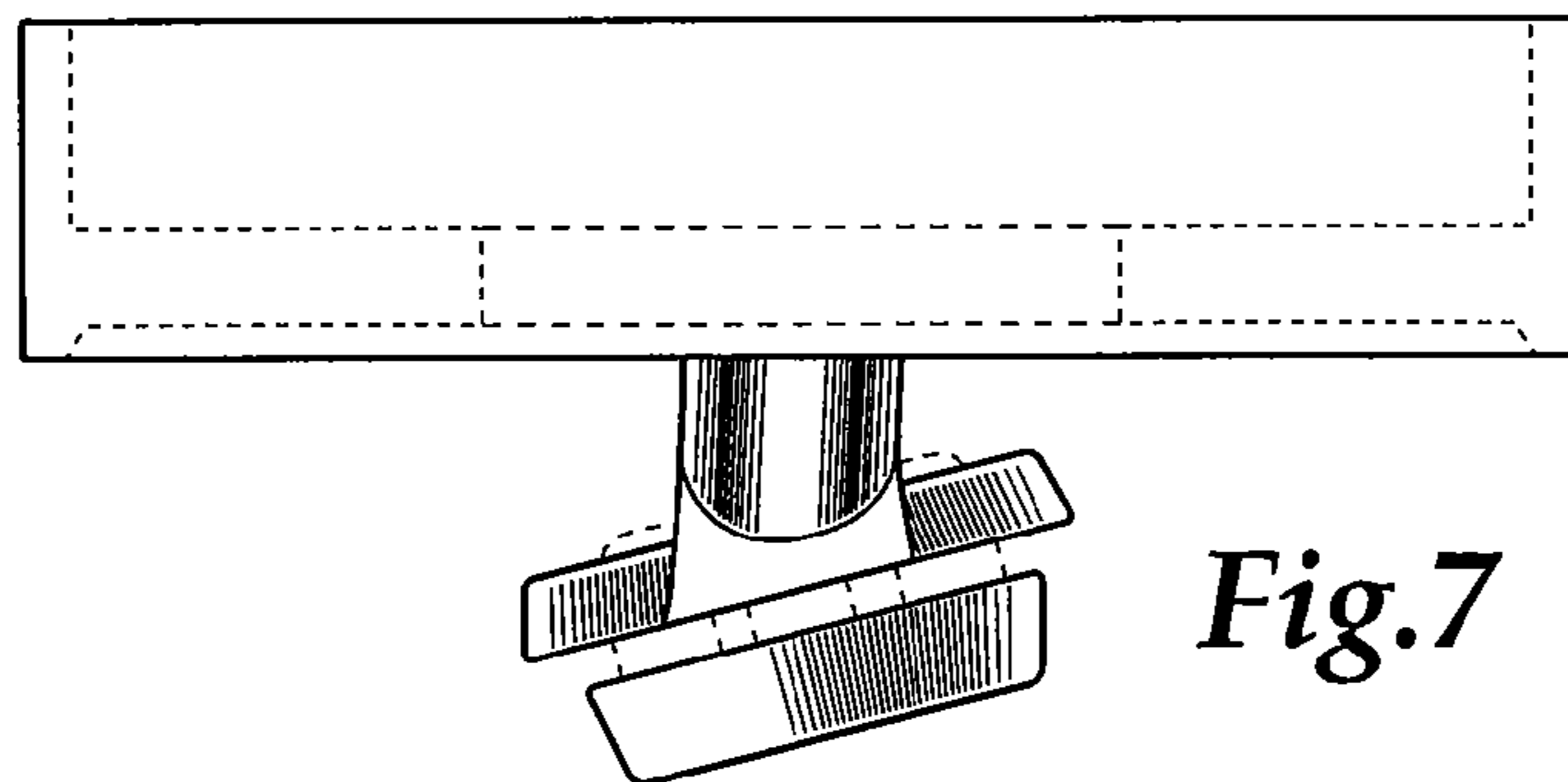


Fig.7

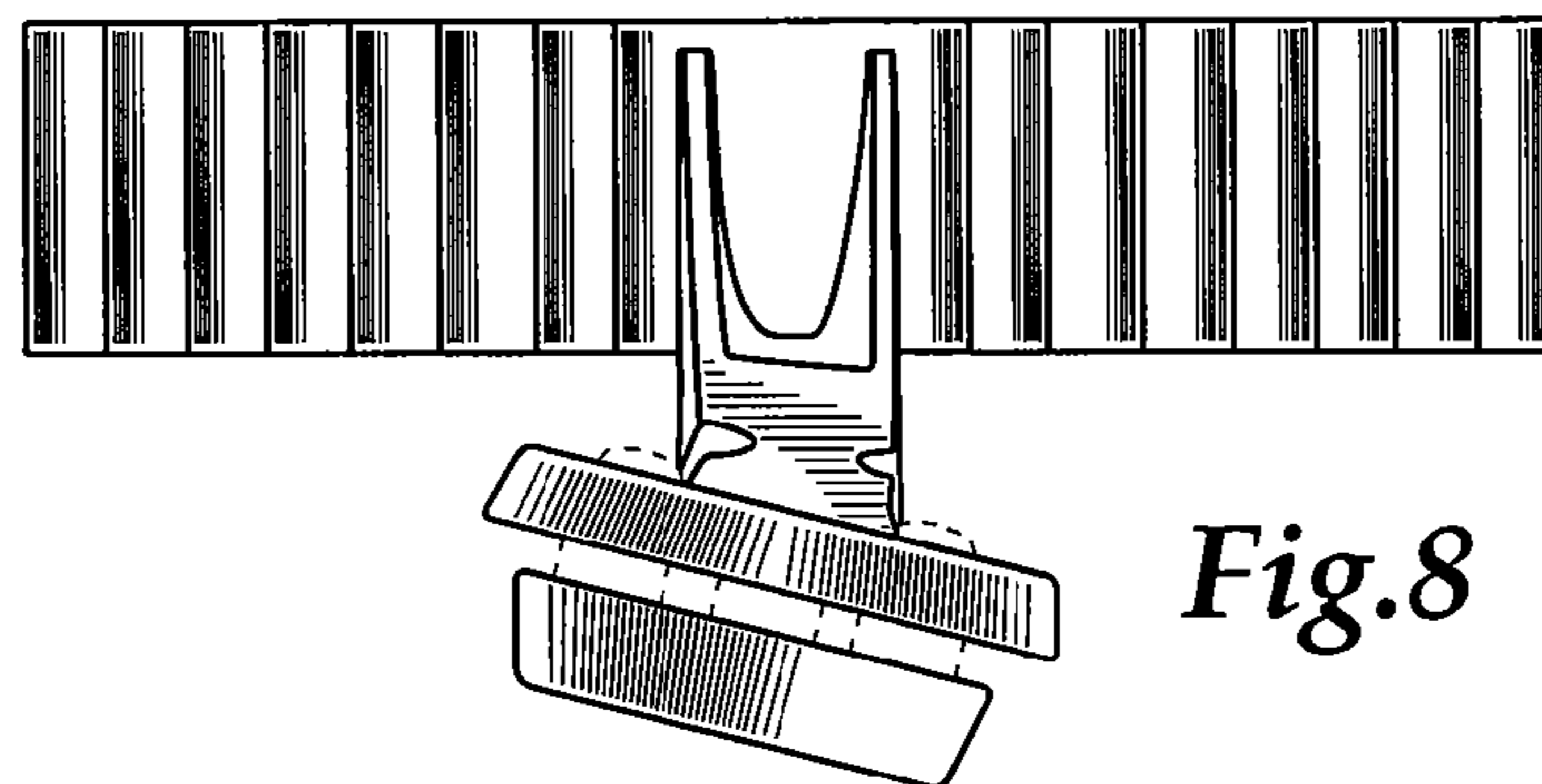


Fig.8