



US00D597654S

(12) **United States Design Patent**
Orozco

(10) **Patent No.:** **US D597,654 S**
(45) **Date of Patent:** **** Aug. 4, 2009**

- (54) **CEILING FAN BLADE IRON**
- (75) Inventor: **Sergio Orozco**, West New York, NJ (US)
- (73) Assignee: **Chien Luen Industries Co., Ltd., Inc.**,
Fort Lauderdale, FL (US)
- (**) Term: **14 Years**
- (21) Appl. No.: **29/308,023**
- (22) Filed: **May 22, 2008**

- D426,631 S 6/2000 Thakur
- D426,879 S 6/2000 Gajewski
- D443,352 S 6/2001 Lantz
- D444,552 S 7/2001 Wang
- D451,997 S 12/2001 Schwartz
- D454,636 S 3/2002 Lantz
- D459,467 S 6/2002 Wilson, Jr.
- D462,756 S 9/2002 Liu
- D464,723 S 10/2002 Fok
- D469,950 S 2/2003 Scalise et al.
- D479,874 S 9/2003 Shapiro
- D480,466 S 10/2003 Bucher et al.
- D480,471 S 10/2003 Hsieh
- D480,797 S * 10/2003 Young D23/411
- D482,778 S 11/2003 Shapiro
- D483,466 S 12/2003 Shapiro
- D484,234 S 12/2003 Wilson, Jr.

Related U.S. Application Data

- (62) Division of application No. 29/297,355, filed on Nov. 9, 2007.

- (51) **LOC (9) Cl.** **23-04**
- (52) **U.S. Cl.** **D23/411**
- (58) **Field of Classification Search** D23/377,
D23/379, 385, 411, 413; 416/5; D26/59,
D26/72, 81-86, 88, 51
See application file for complete search history.

(56) **References Cited**

U.S. PATENT DOCUMENTS

- D307,320 S 4/1990 Shin-Chin
- D322,669 S 12/1991 Yamamoto et al.
- D323,885 S 2/1992 Wortham
- D329,284 S 9/1992 Patton
- D364,224 S 11/1995 Wang
- D371,838 S 7/1996 Davis, Jr. et al.
- D378,404 S 3/1997 Jaspers-Fayer
- D384,738 S 10/1997 Jane
- D402,026 S 12/1998 Chuang et al.
- D408,518 S 4/1999 Liu
- D411,295 S 6/1999 Evans
- D412,571 S 8/1999 Lee
- D414,856 S 10/1999 Zuege
- D416,617 S 11/1999 Jane et al.
- D421,799 S 3/2000 Zuege
- D422,072 S 3/2000 Blateri
- D423,093 S 4/2000 Fok
- D426,296 S 6/2000 Blateri

(Continued)

Primary Examiner—Lisa P Lichtenstein
(74) *Attorney, Agent, or Firm*—Brian S. Steinberger; Law
Offices of Brian S. Steinberger, P.A.

(57) **CLAIM**

The ornamental design for a ceiling fan blade iron, and blade arms, as shown and described.

DESCRIPTION

FIG. 1 is a lower perspective view of a single blade arm design of the invention.

FIG. 2 is a bottom view of the single blade arm design of FIG. 1.

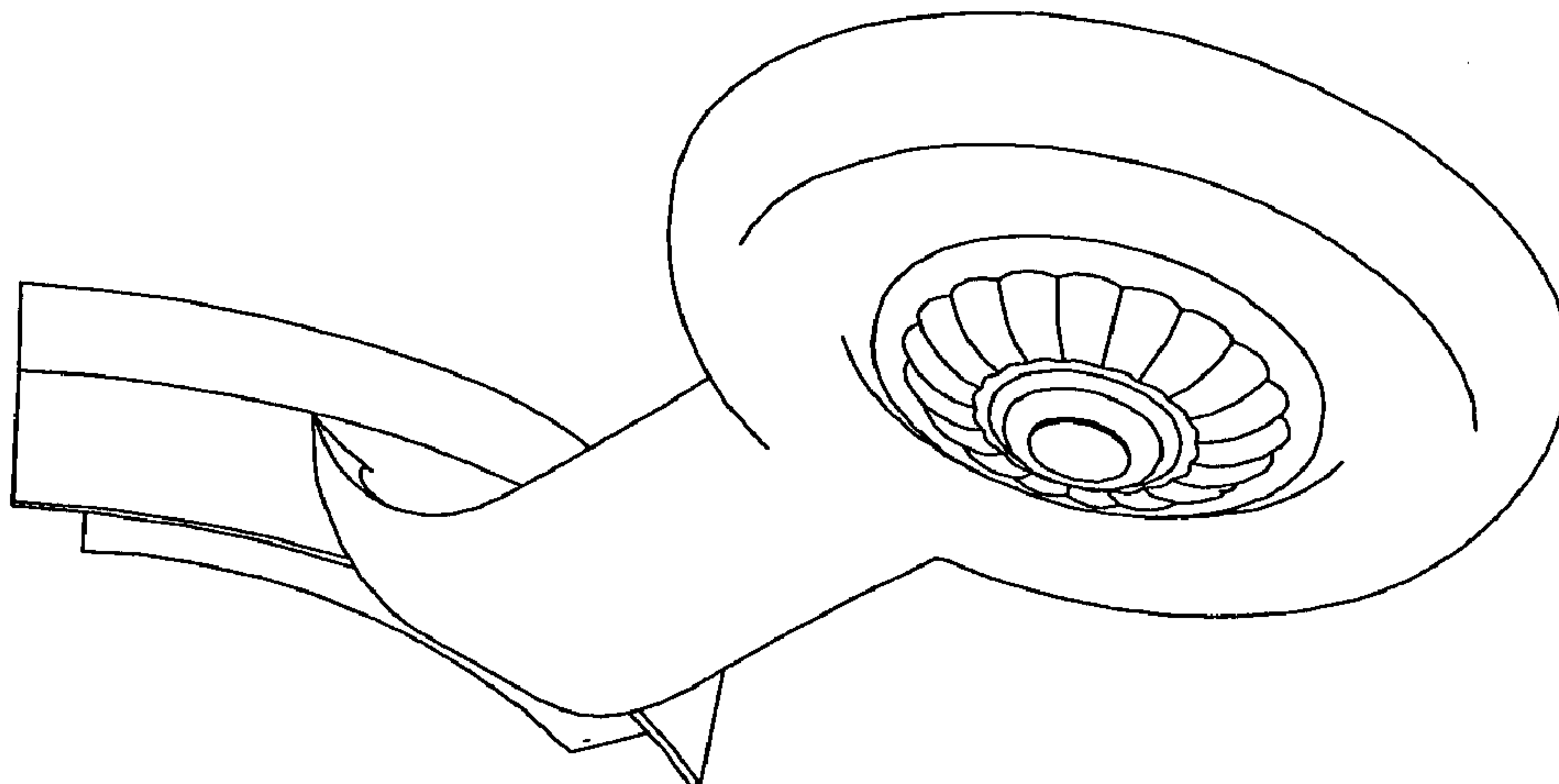
FIG. 3 is a reduced bottom perspective view thereof shown in use;

FIG. 4 is a reduced bottom view thereof shown in use; and,

FIG. 5 is a reduced side view thereof shown in use.

The broken line showing of the canopy, support rod, ceiling fan housing, switch housing, apertures and pull cords is included for the purpose of illustrating environmental structure and forms no part of the claimed design.

1 Claim, 5 Drawing Sheets



(56)

References Cited

U.S. PATENT DOCUMENTS

D486,216 S 2/2004 Wilson, Jr.
D486,217 S 2/2004 Shapiro
D486,218 S 2/2004 Shapiro
D486,222 S 2/2004 Shapiro
D488,551 S 4/2004 Shapiro
D495,817 S 9/2004 Bucher et al.

D496,119 S 9/2004 Bucher et al.
D497,022 S 10/2004 Bucher et al.
D500,160 S 12/2004 Bucher et al.
D500,161 S 12/2004 Bucher et al.
D500,876 S 1/2005 Bucher et al.
D527,093 S * 8/2006 Holmes D23/411
D567,357 S * 4/2008 Curtin D23/411

* cited by examiner

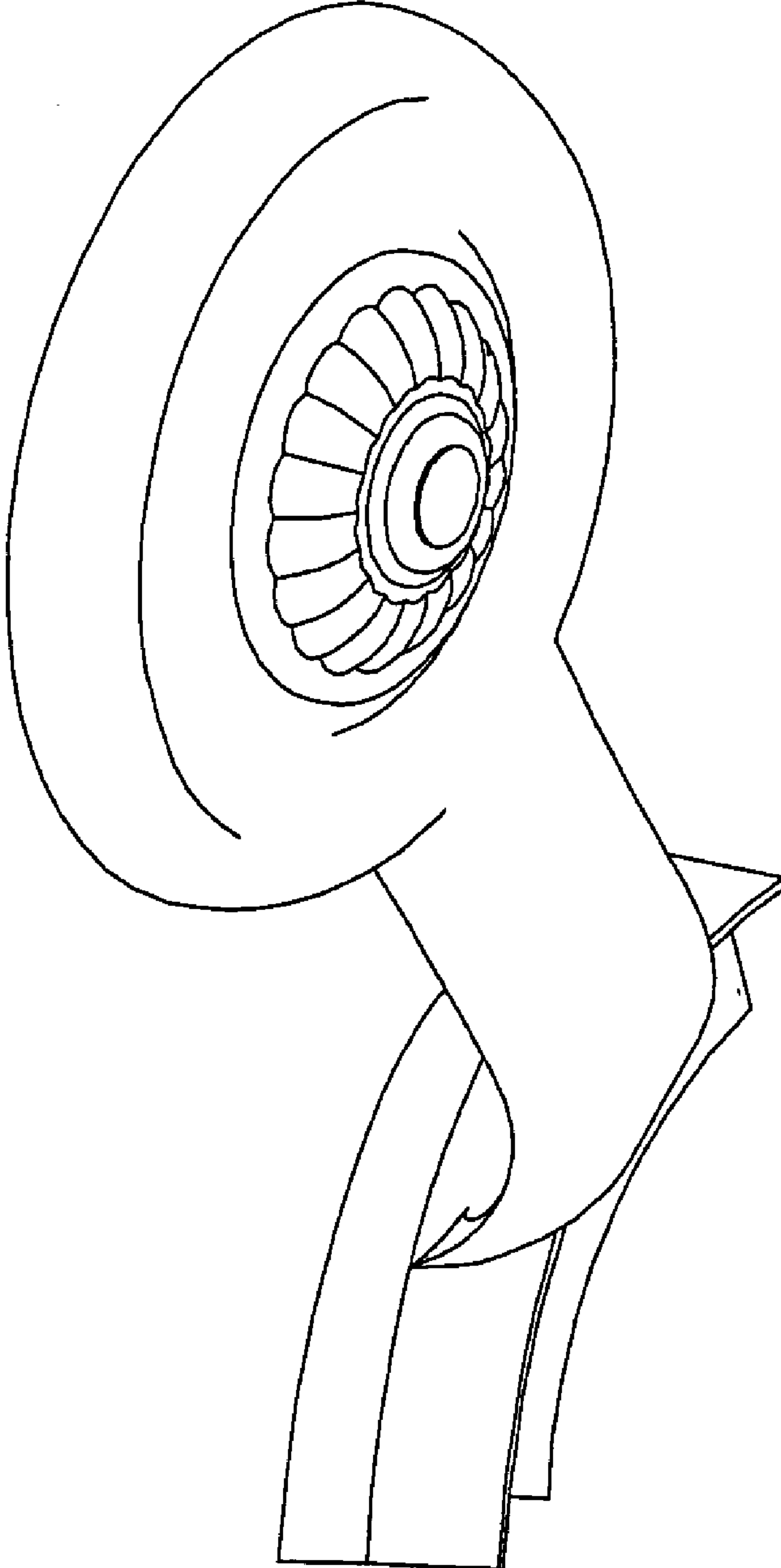


FIG. 1

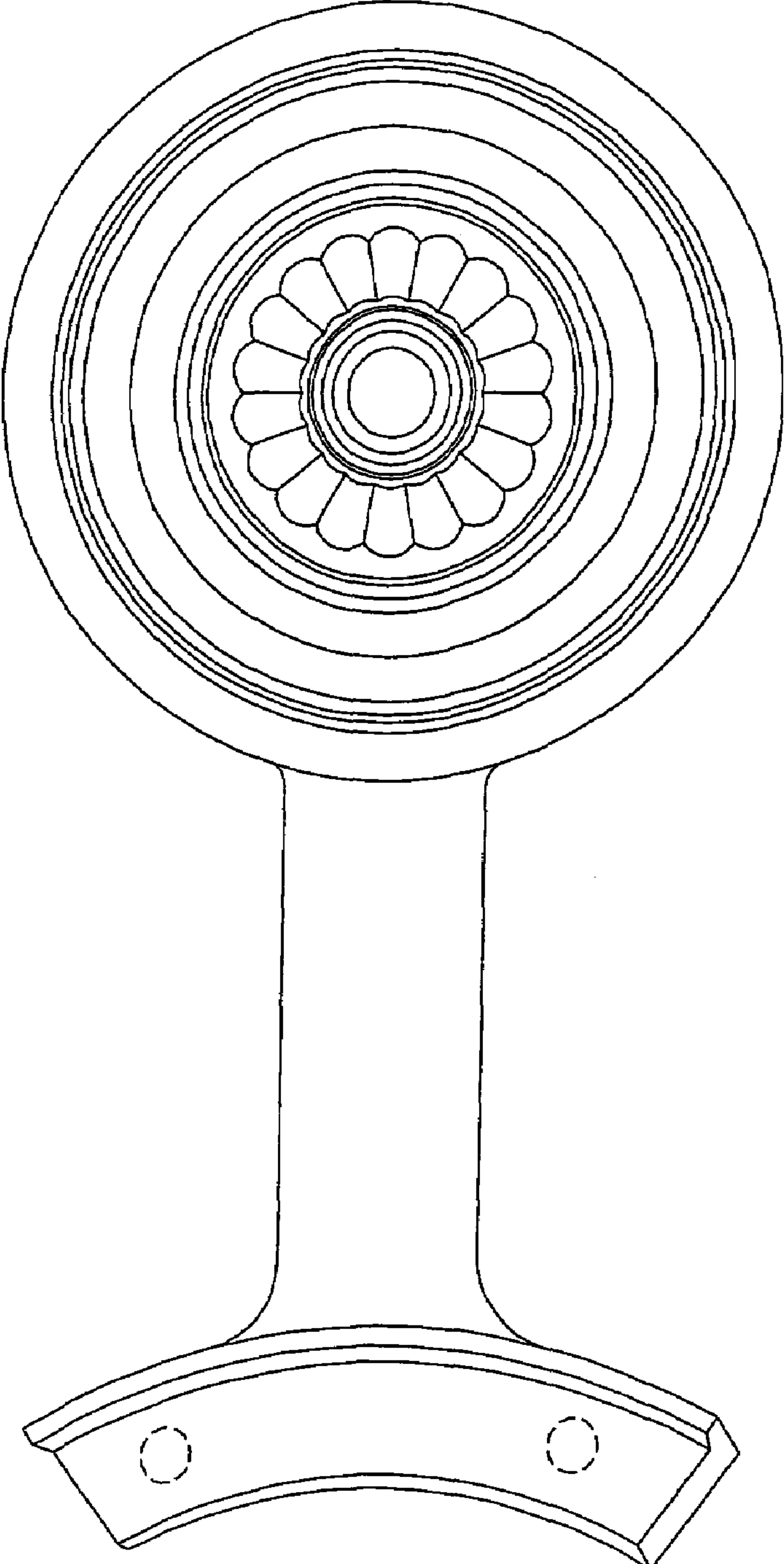


FIG. 2

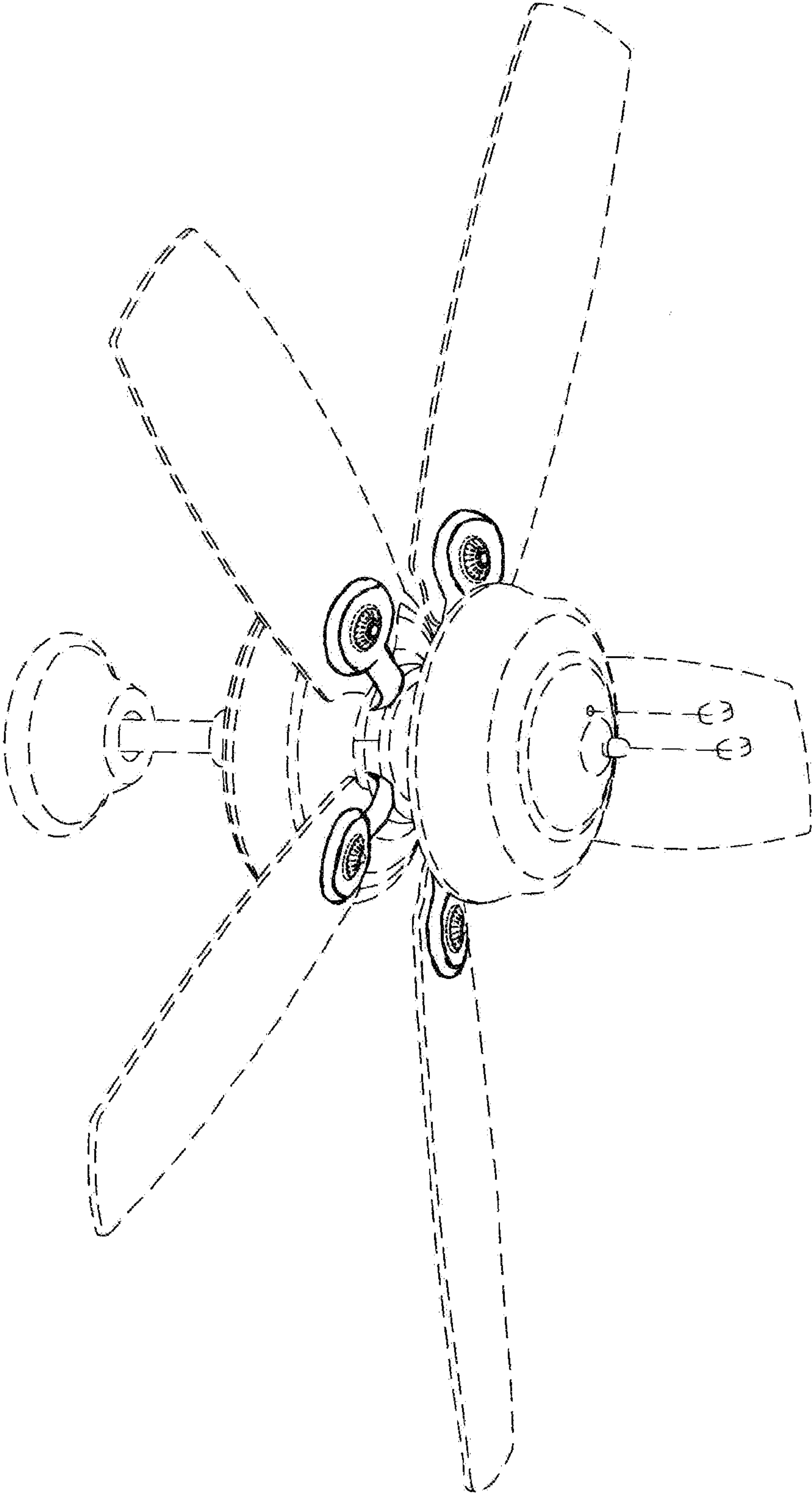


FIG. 3

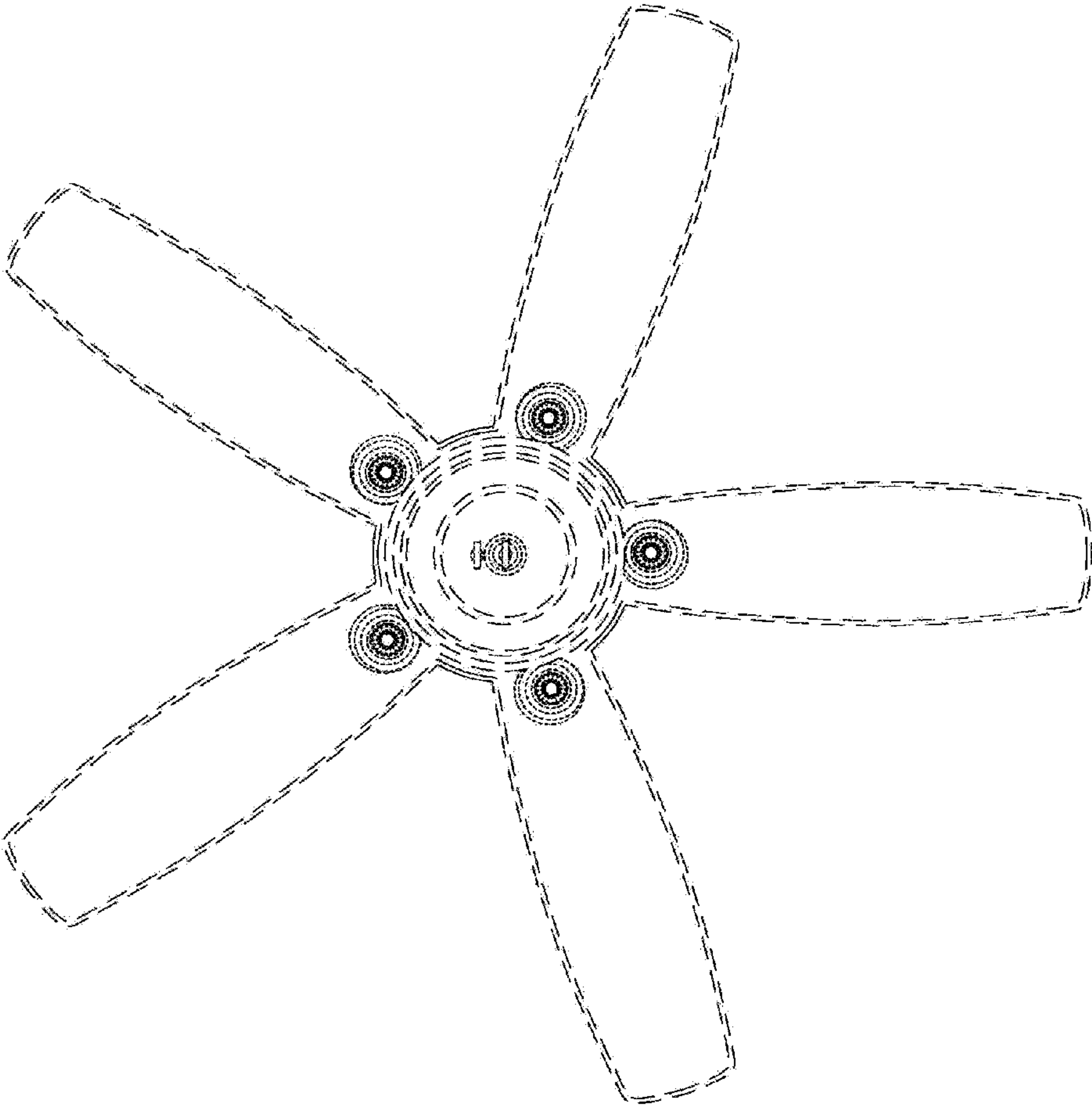


FIG. 4

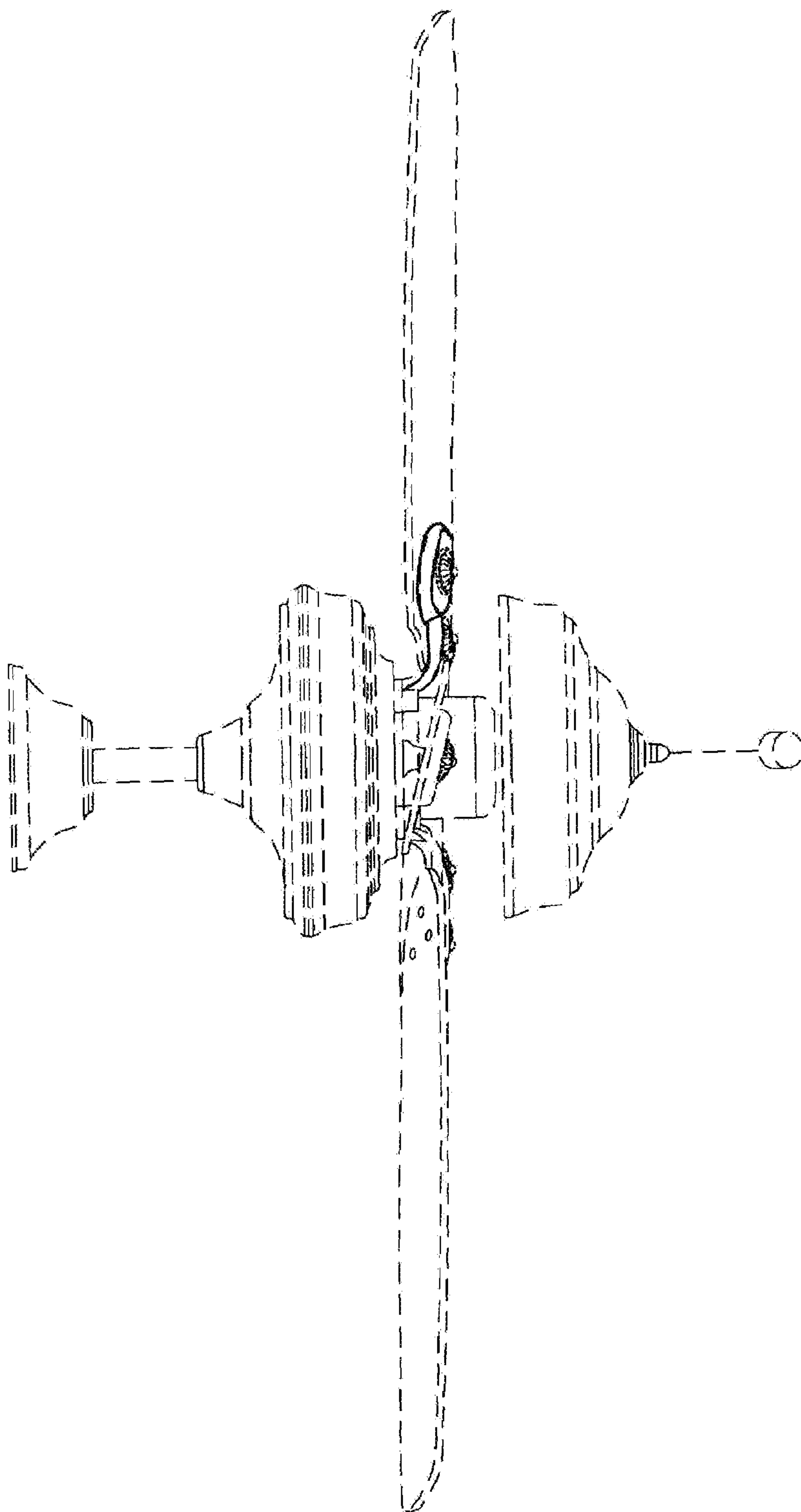


FIG. 5