

US00D597652S

(12) **United States Design Patent**  
**Tang**

(10) **Patent No.:** **US D597,652 S**

(45) **Date of Patent:** **\*\* Aug. 4, 2009**

(54) **COVER PLATE FOR COOLER**

(75) Inventor: **Cheng-Tai Tang**, Chung-Ho (TW)

(73) Assignee: **Cooler Master Co., Ltd.**, Taipei Hsien (TW)

(\*\*) Term: **14 Years**

(21) Appl. No.: **29/320,658**

(22) Filed: **Jul. 1, 2008**

(30) **Foreign Application Priority Data**

Jan. 7, 2008 (TW) ..... 97300087

(51) **LOC (9) Cl.** ..... **23-04**

(52) **U.S. Cl.** ..... **D23/386**; D13/179

(58) **Field of Classification Search** ..... D23/386,  
D23/365, 363, 358, 397, 354, 341, 364, 333,  
D23/351; D13/179; 55/385.3, 502, 497,  
55/506, 505, 521, 495, 422, 493, 522, DIG. 30,  
55/DIG. 31, DIG. 37; D14/188; D15/5,  
D15/1; 62/259.1, 259.4, 262, 457.9; 210/497.1  
See application file for complete search history.

(56) **References Cited**

**U.S. PATENT DOCUMENTS**

D431,816 S \* 10/2000 Beaumont et al. .... D14/188  
D445,803 S \* 7/2001 Ratto ..... D15/5  
D465,498 S \* 11/2002 Geffert ..... D15/1  
D482,673 S \* 11/2003 Shindo ..... D14/188  
D500,752 S \* 1/2005 Uehara et al. .... D14/188

D513,247 S \* 12/2005 Matsuoka ..... D14/188  
D517,089 S \* 3/2006 Pfeiffer ..... D15/5  
D529,924 S \* 10/2006 Ryczek et al. .... D15/5  
D529,925 S \* 10/2006 Strandell et al. .... D15/5  
D538,823 S \* 3/2007 Vervoorn ..... D15/5  
D541,303 S \* 4/2007 Drew et al. .... D15/5  
D549,214 S \* 8/2007 Uehara ..... D14/188  
2004/0025480 A1 \* 2/2004 Thanheiser ..... 55/385.3

\* cited by examiner

*Primary Examiner*—T. Chase Nelson

*Assistant Examiner*—David G Muller

(74) *Attorney, Agent, or Firm*—WPAT, P.C.; Justin King

(57) **CLAIM**

The ornamental design for a cover plate for cooler, as shown and described.

**DESCRIPTION**

FIG. 1 is a perspective view of a cover plate for cooler showing my new design;

FIG. 2 is a front elevation view thereof, the rear elevation view being identical;

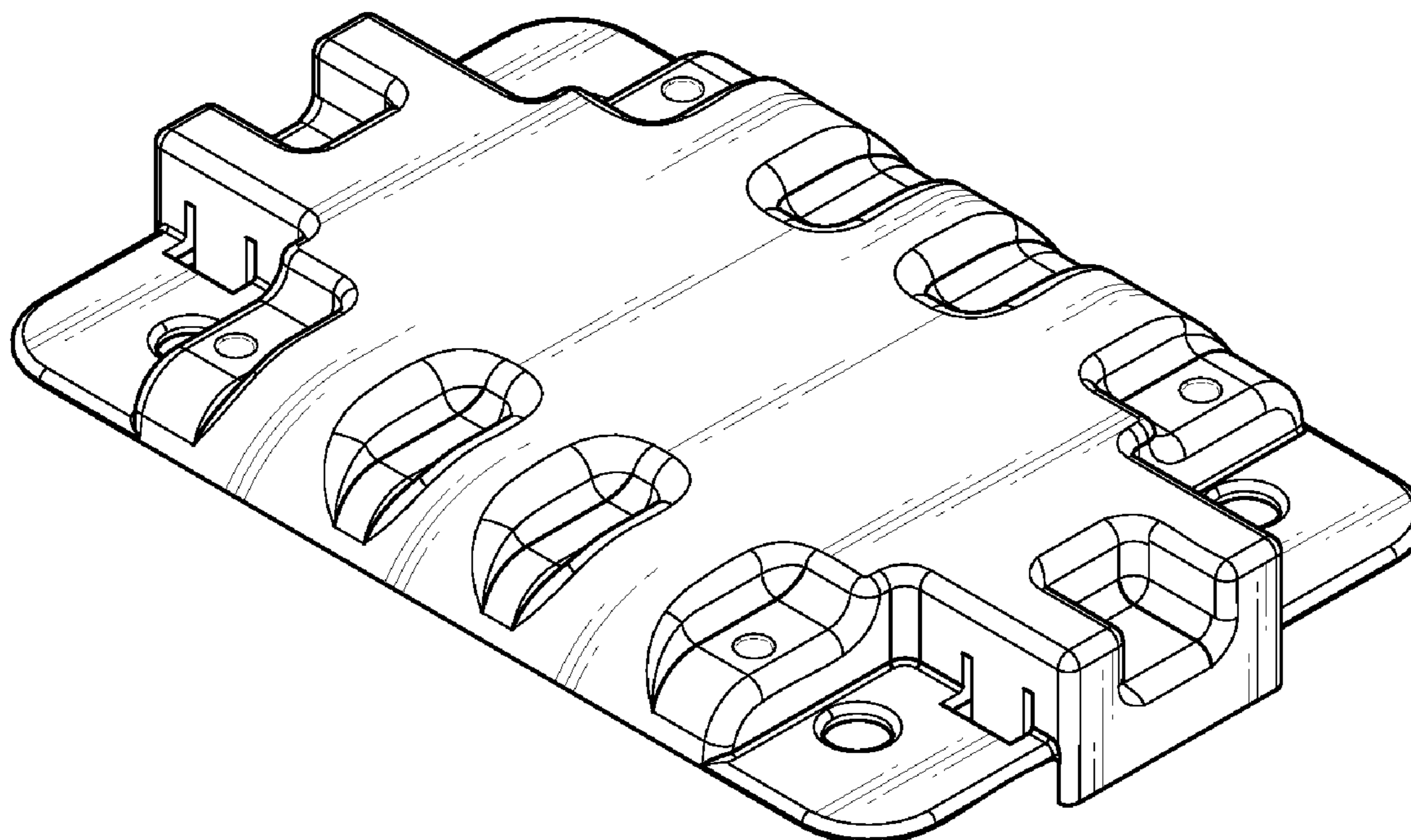
FIG. 3 is a left side elevation view thereof, the right side elevation view being identical;

FIG. 4 is a top plan view thereof; and,

FIG. 5 is a bottom plan view.

The broken lines depict portions of the cover plate that form no part of the claimed design.

**1 Claim, 3 Drawing Sheets**



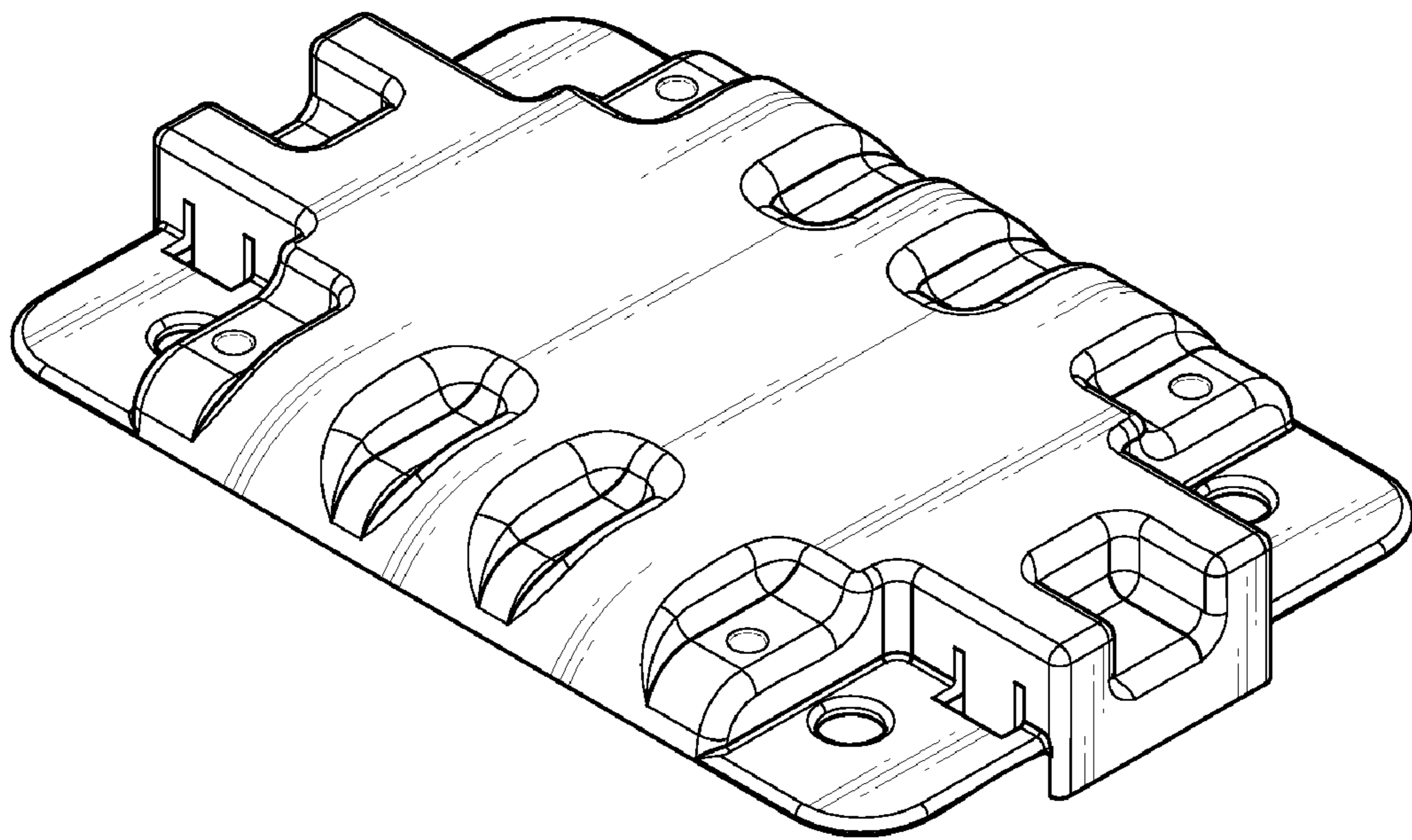


FIG.1

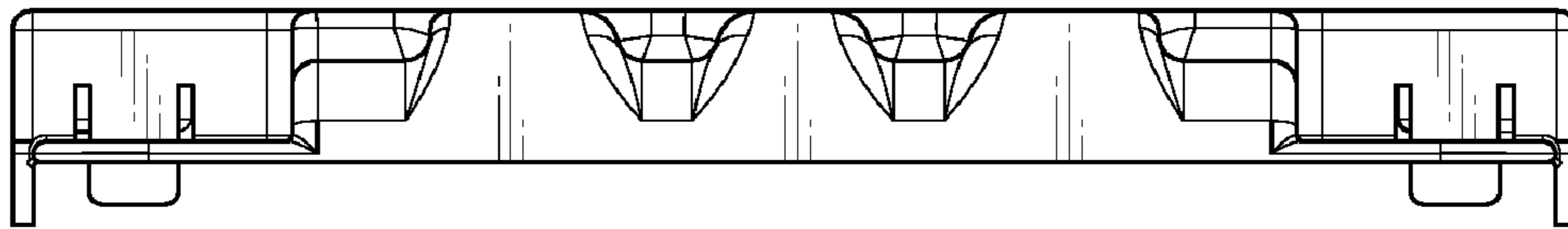


FIG. 2

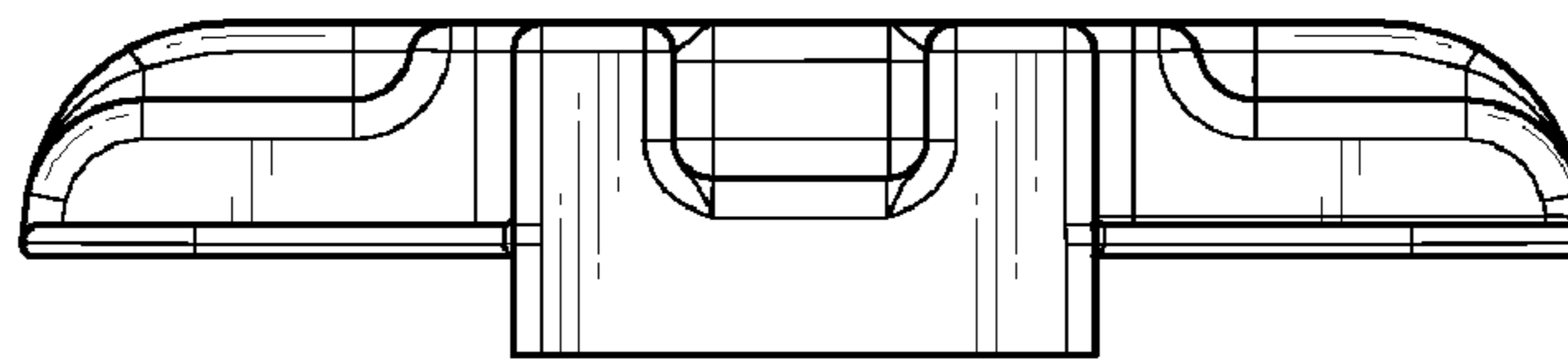


FIG. 3

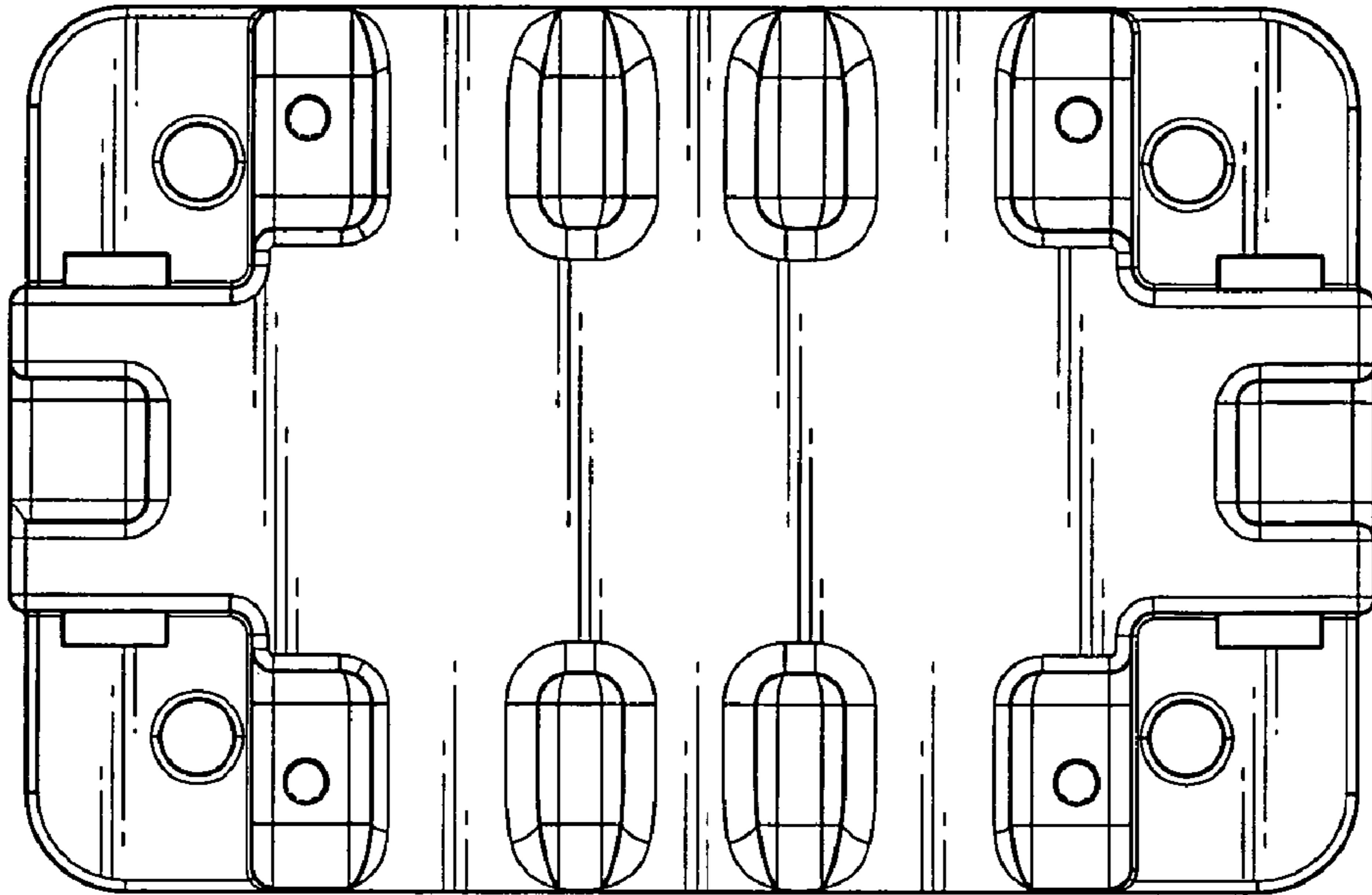


FIG. 4

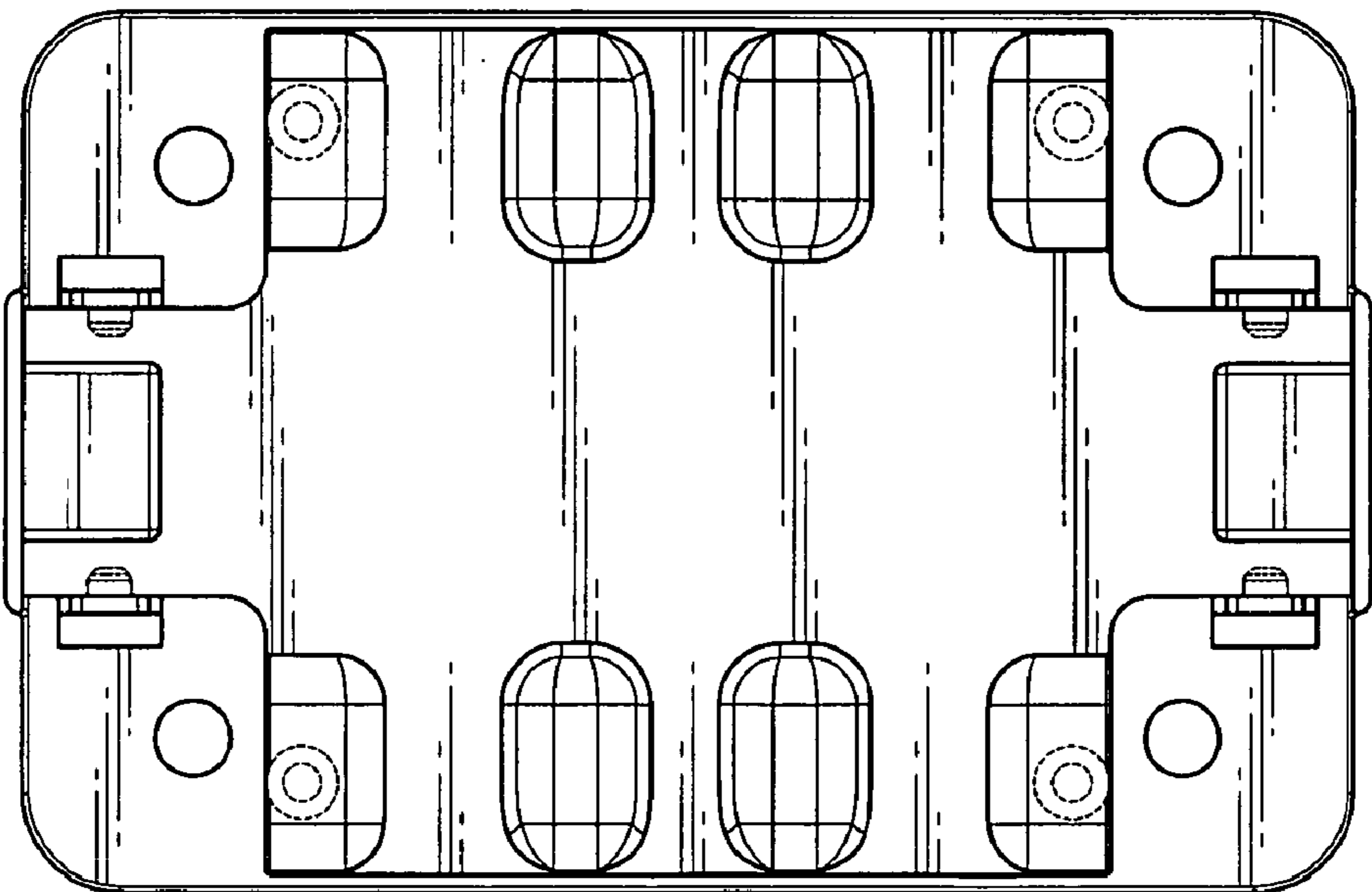


FIG. 5