



US00D597649S

(12) **United States Design Patent**  
**Frampton**

(10) **Patent No.:** **US D597,649 S**

(45) **Date of Patent:** **\*\* Aug. 4, 2009**

(54) **FAN ASSEMBLY**

(75) Inventor: **Thomas C. Frampton**, Zionsville, IN (US)

(73) Assignee: **Fanimation, Inc.**, Zionsville, IN (US)

(\*\*) Term: **14 Years**

(21) Appl. No.: **29/294,062**

(22) Filed: **Dec. 20, 2007**

(51) **LOC (9) Cl.** ..... **23-04**

(52) **U.S. Cl.** ..... **D23/377**

(58) **Field of Classification Search** ..... D23/377,  
D23/379, 385, 411, 413; 416/5

See application file for complete search history.

(56) **References Cited**

U.S. PATENT DOCUMENTS

1,334,781 A	3/1920	Morse	
D313,467 S	1/1991	Frampton	
D451,997 S *	12/2001	Schwartz	..... D23/413
D456,073 S	4/2002	Frampton	
D460,817 S	7/2002	Frampton	
D461,888 S	8/2002	Frampton	
D477,662 S *	7/2003	Liou	..... D23/413
D478,975 S	8/2003	Gajewski	

\* cited by examiner

*Primary Examiner*—Lisa P Lichtenstein

(74) *Attorney, Agent, or Firm*—Maginot, Moore & Beck

(57) **CLAIM**

The ornamental design for a fan assembly, as shown and described.

**DESCRIPTION**

FIG. 1 is top perspective view of a fan assembly showing my new design;

FIG. 2 is a front elevational view showing the design for the fan assembly of FIG. 1;

FIG. 3 is a rear elevational view showing the design for the fan assembly of FIG. 1;

FIG. 4 is a left side elevational view showing the design for the fan assembly of FIG. 1;

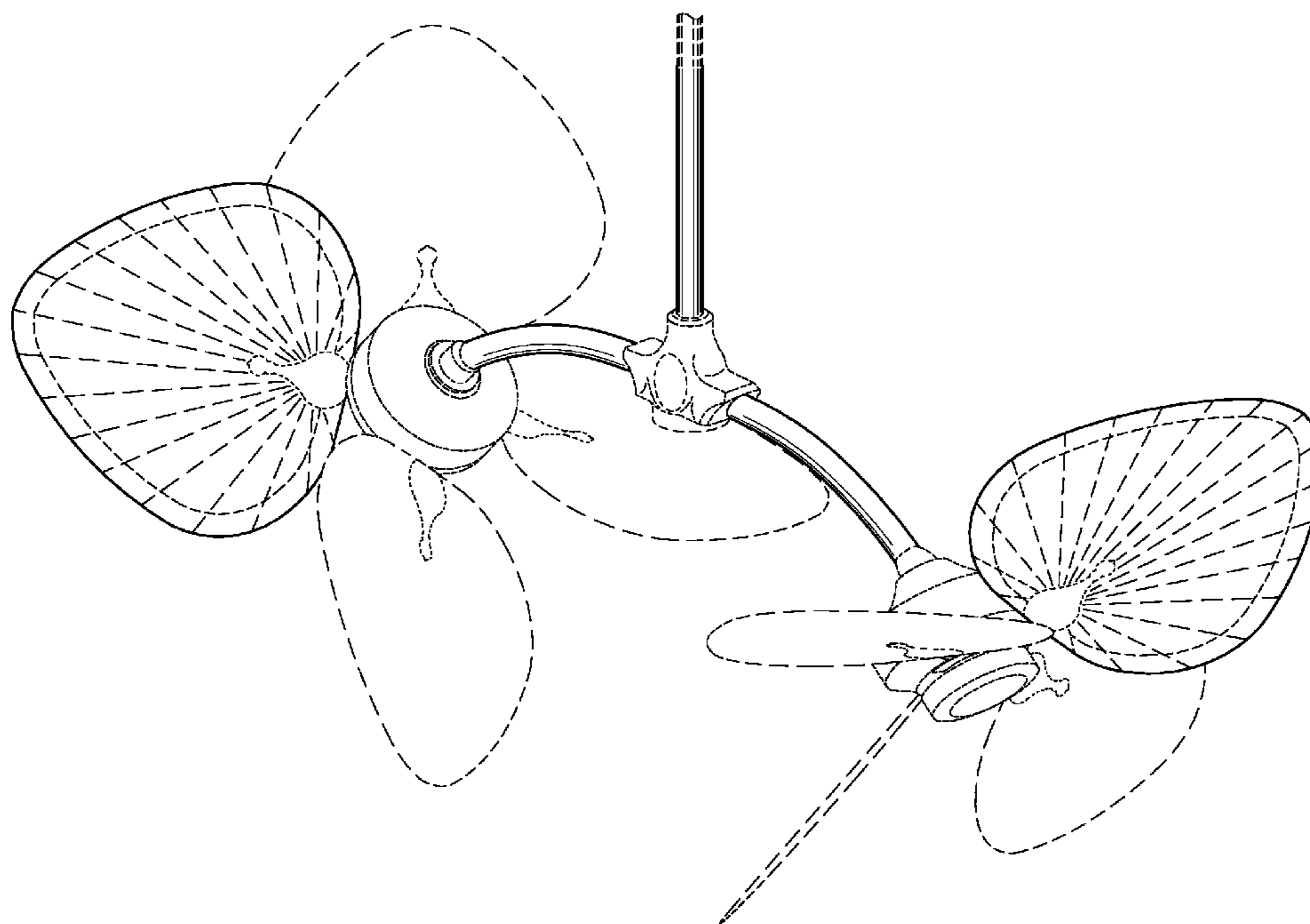
FIG. 5 is a right side elevational view showing the design for the fan assembly of FIG. 1;

FIG. 6 is a bottom elevational view showing the design for the fan assembly of FIG. 1; and,

FIG. 7 is a top elevational view showing the design for the fan assembly of FIG. 1.

The broken line showing of fan blades including portions thereof, fan blade holders, left and right motor housing assemblies, the proximal portion of the vertical support post and the support member that is positioned at the intersection of the vertical support post and the curved support post that extends from the left motor housing assembly to the right motor housing assembly is included for the purpose of illustrating environmental structure and forms no part of the claimed design.

**1 Claim, 7 Drawing Sheets**



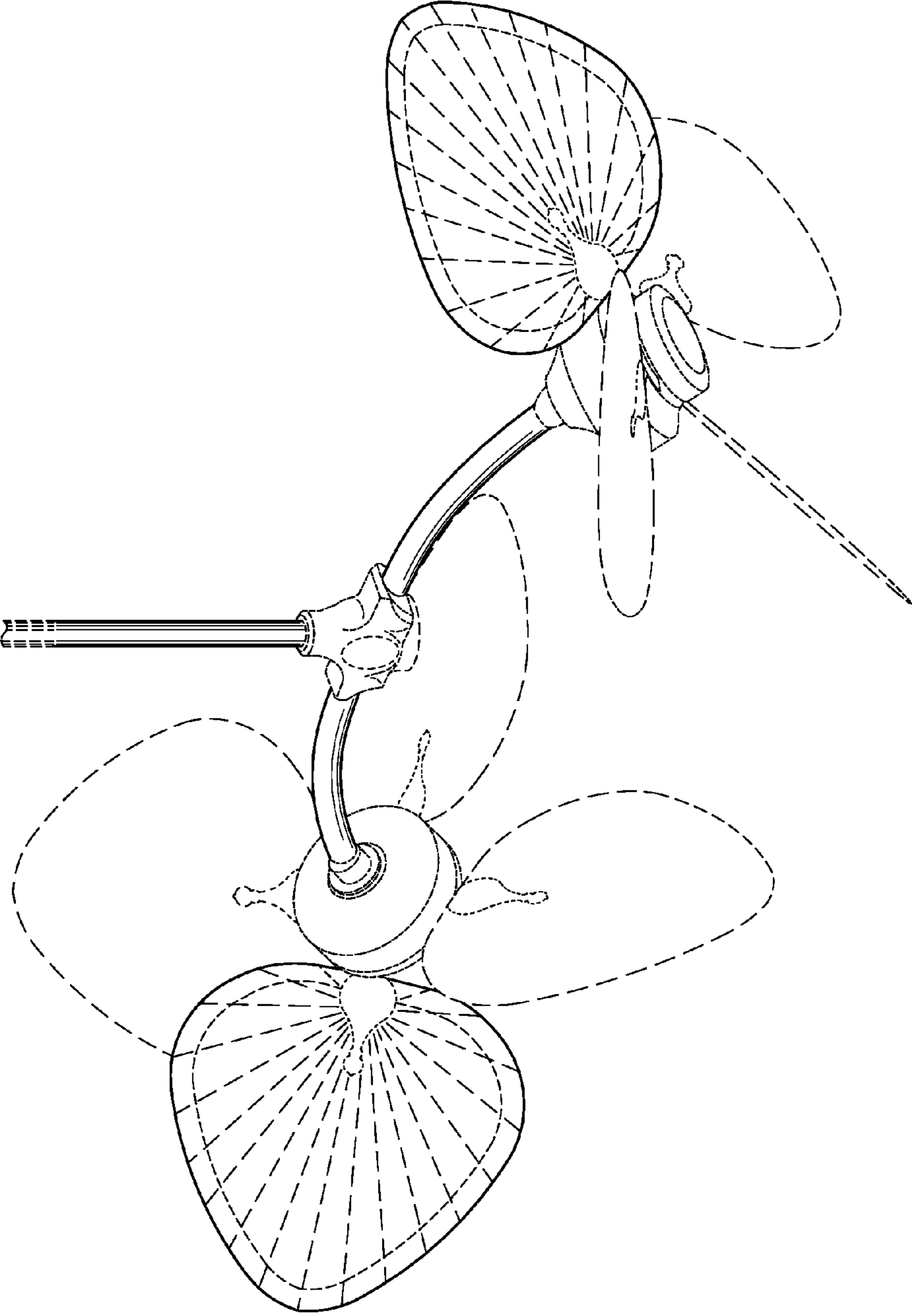


Fig. 1

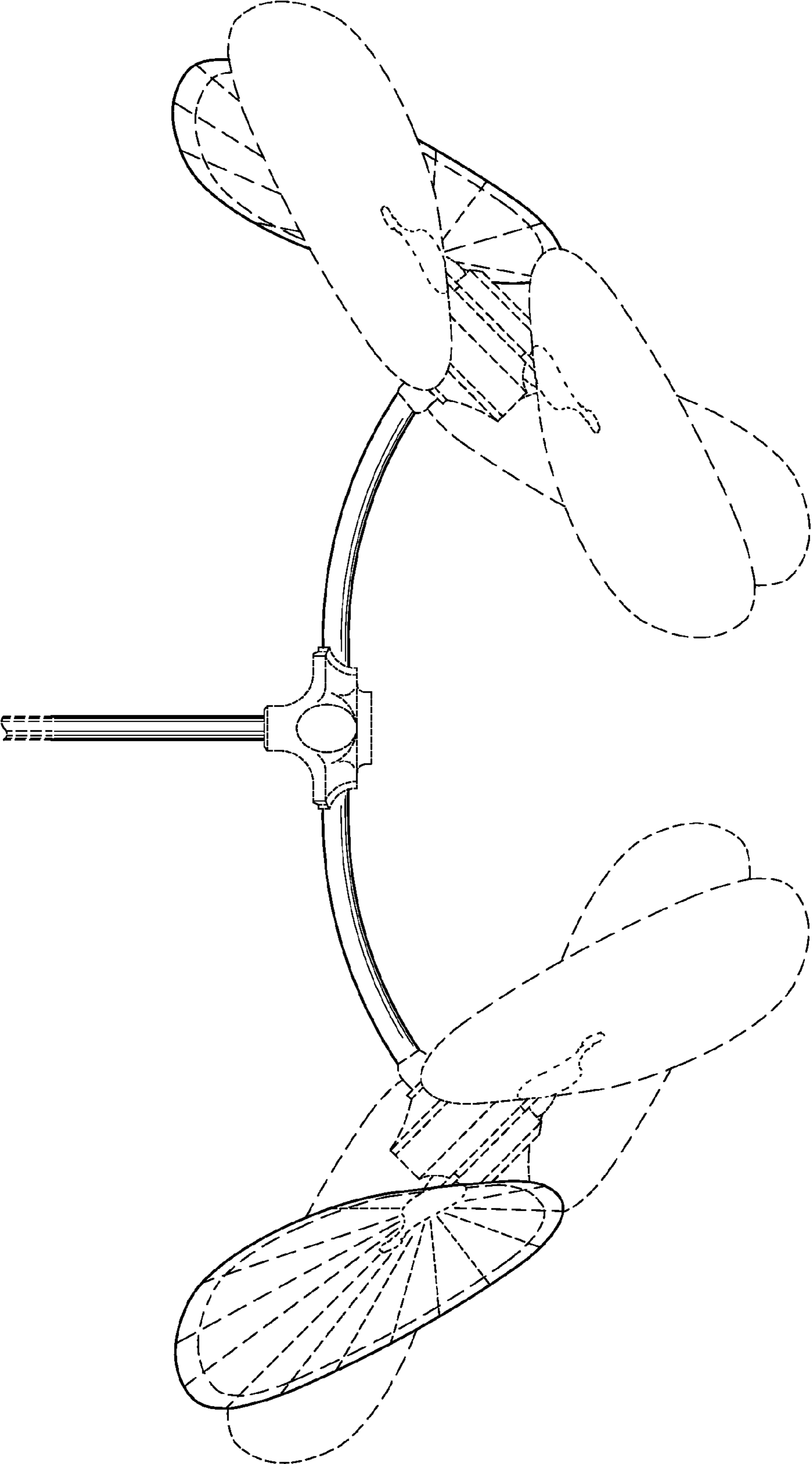


Fig. 2

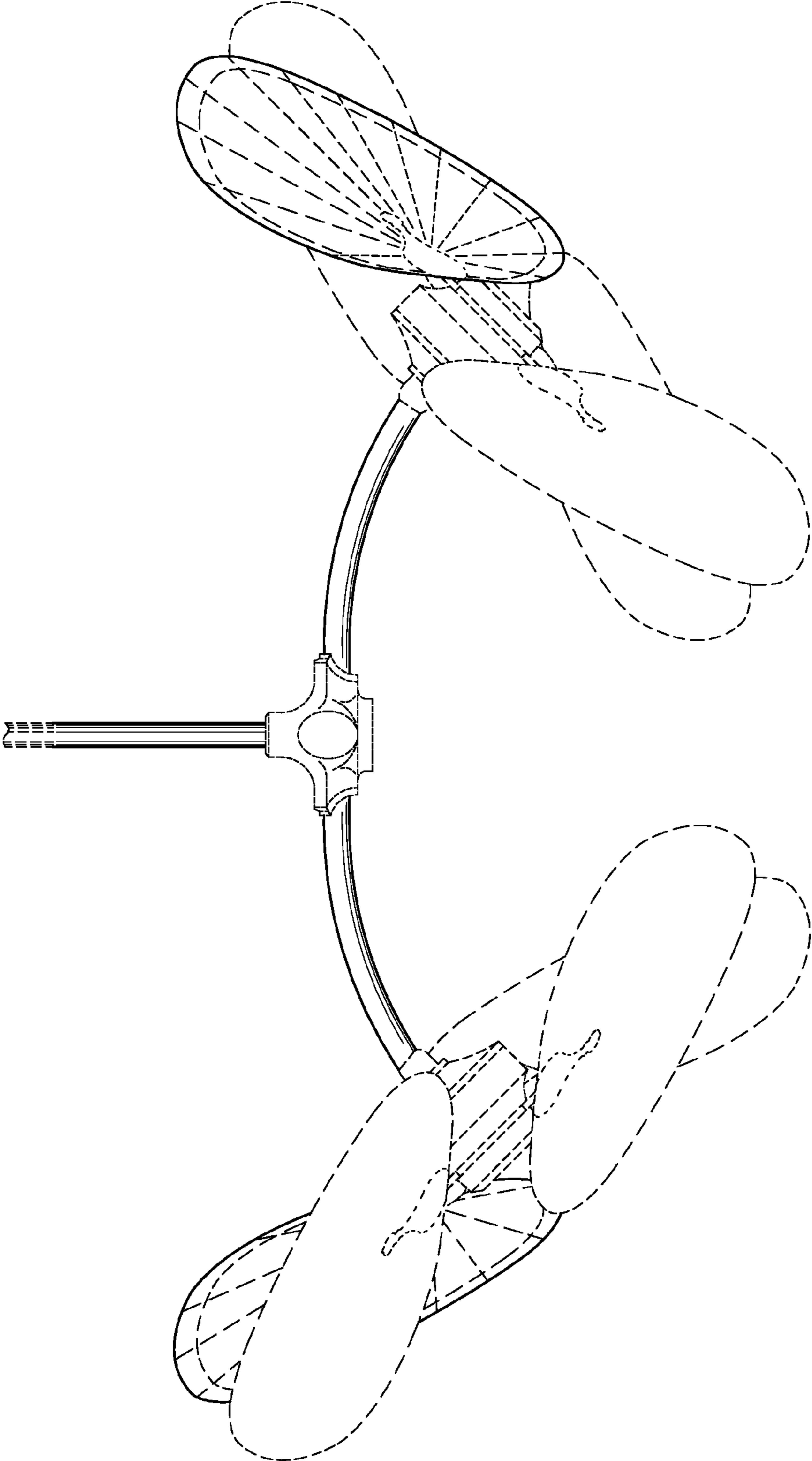


Fig. 3

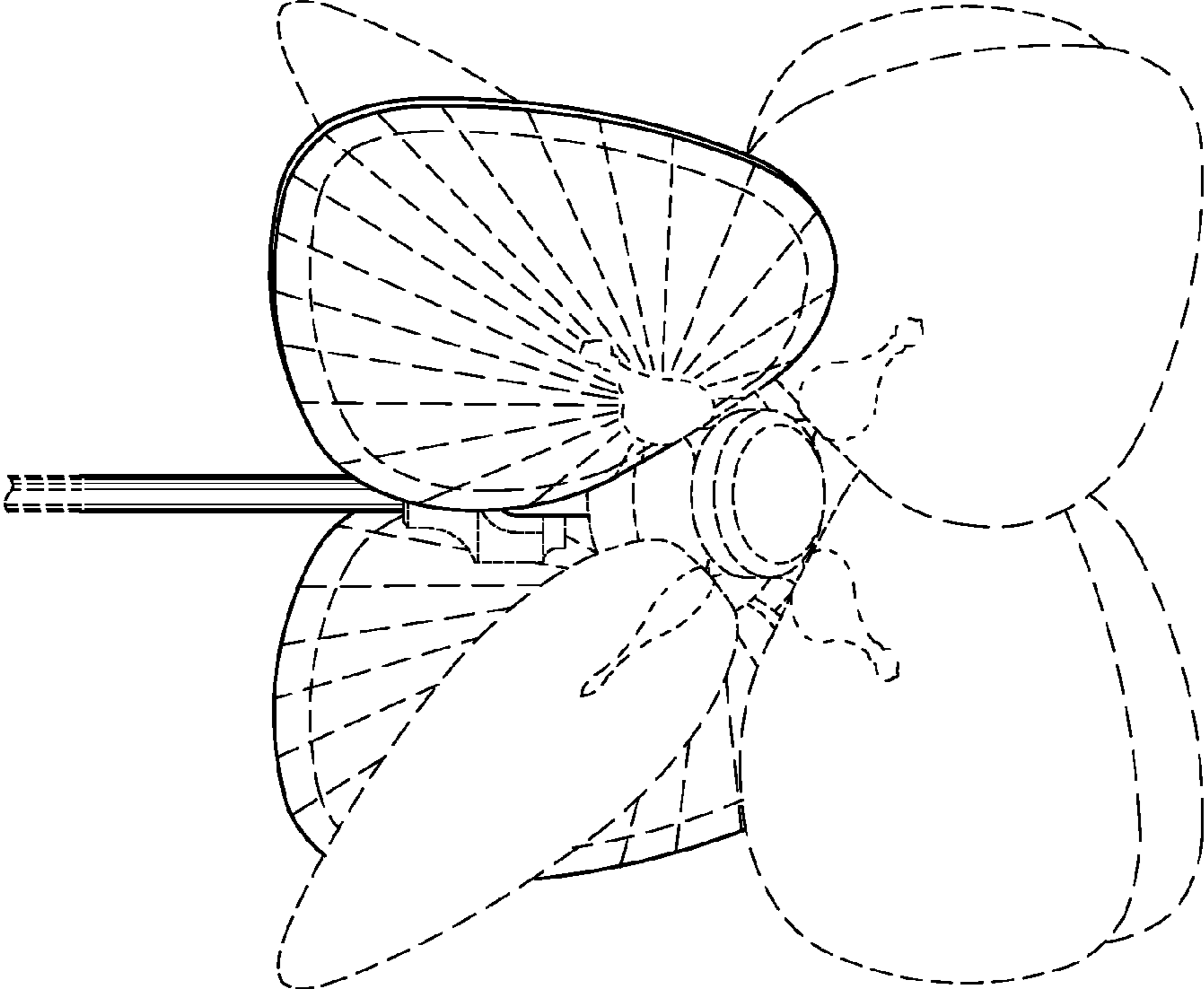


Fig. 4



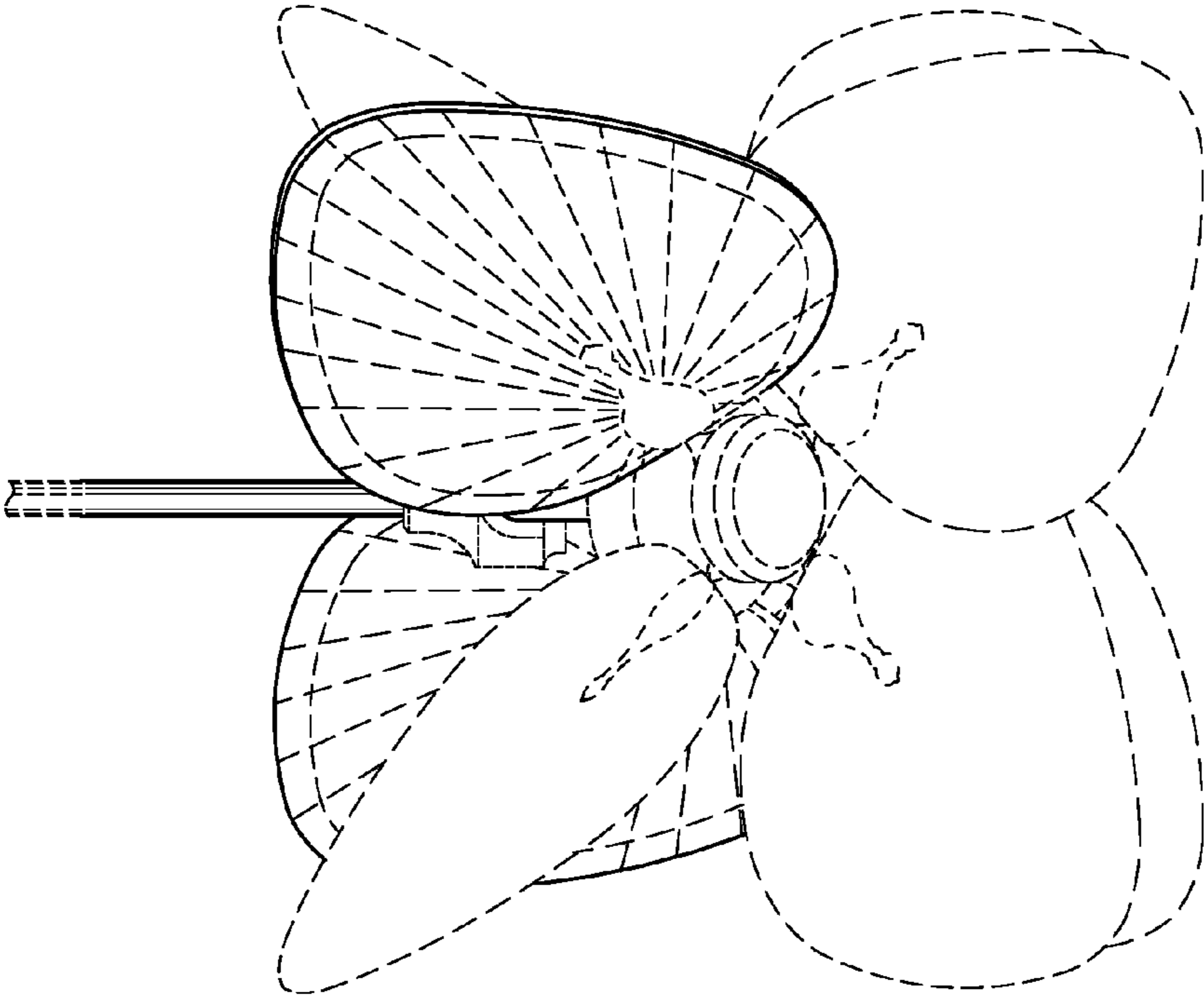


Fig. 5

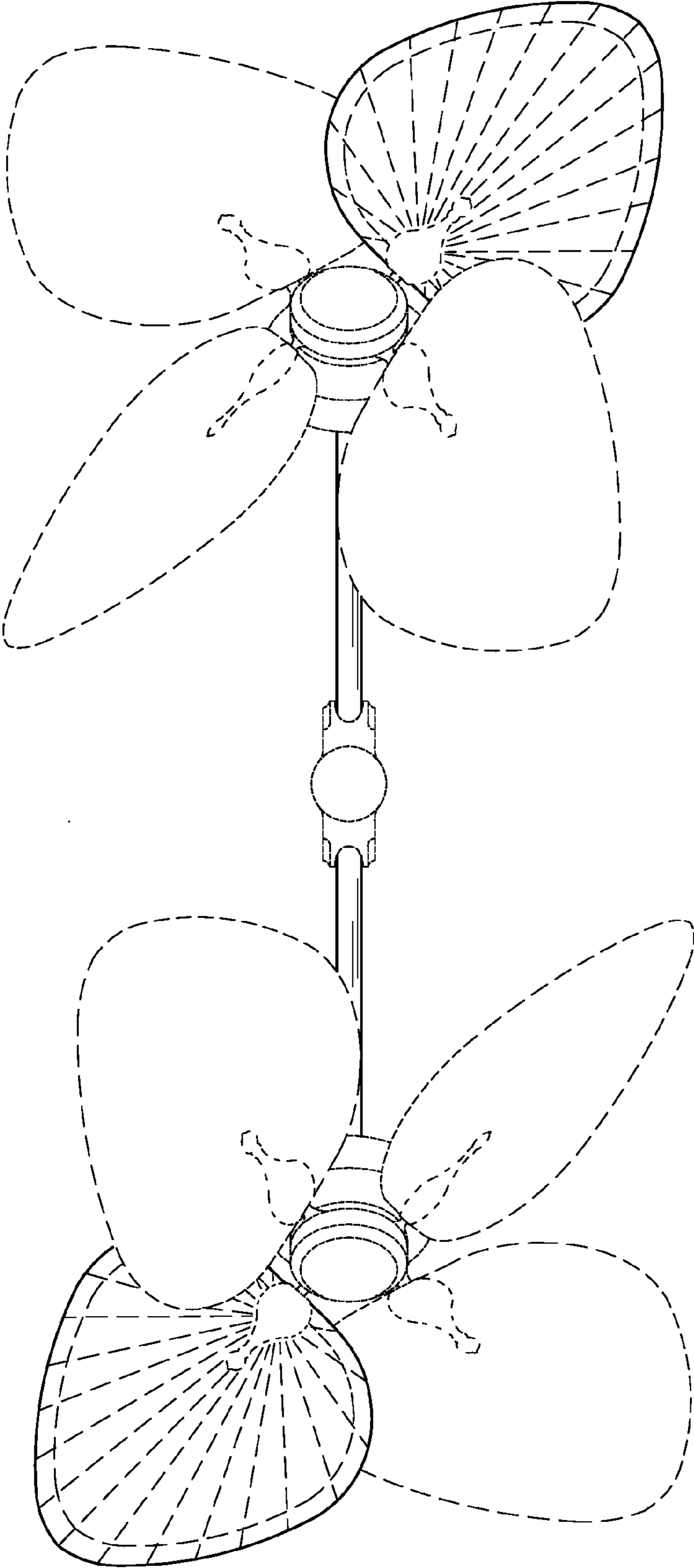


Fig. 6

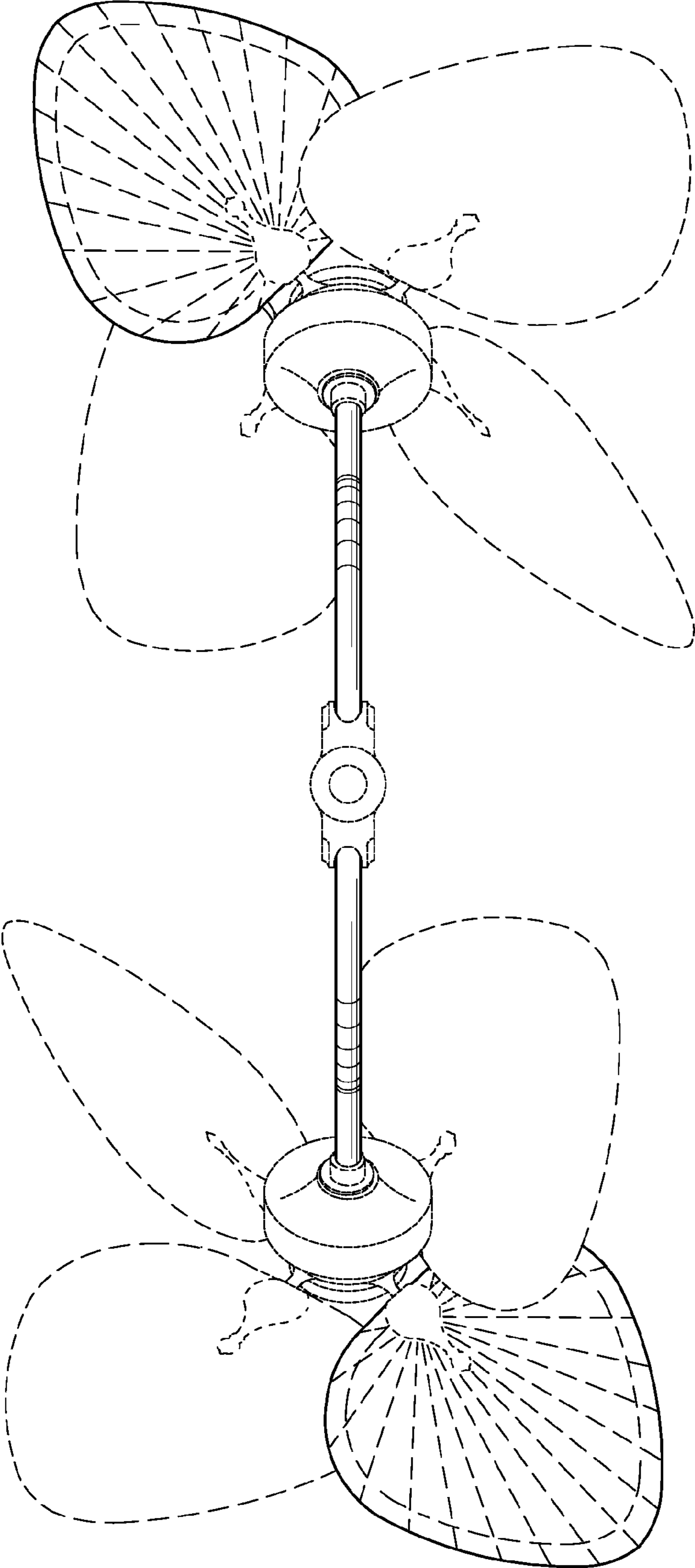


Fig. 7