



US00D597640S

(12) **United States Design Patent**
Israel et al.

(10) **Patent No.:** **US D597,640 S**

(45) **Date of Patent:** **** Aug. 4, 2009**

(54) **HEATER**

(75) Inventors: **Gary P. Israel**, Andover, KS (US); **Glen W. Ediger**, North Newton, KS (US)

(73) Assignee: **Vornado Air LLC**, Andover, KS (US)

(**) Term: **14 Years**

(21) Appl. No.: **29/303,731**

(22) Filed: **Feb. 15, 2008**

(51) **LOC (9) Cl.** **23-03**

(52) **U.S. Cl.** **D23/335**

(58) **Field of Classification Search** D23/335-341;
392/373-376, 365-369, 422-425, 407, 426;
312/236

See application file for complete search history.

(56) **References Cited**

U.S. PATENT DOCUMENTS

D143,541 S *	1/1946	Maxson	D23/335
D326,318 S *	5/1992	Coup et al.	D23/335
5,239,610 A *	8/1993	Shao	392/363
D384,733 S *	10/1997	Jane et al.	D23/335
D384,734 S *	10/1997	Ellwood	D23/337
D402,742 S *	12/1998	Chen	D23/335
D418,591 S *	1/2000	Birdsell et al.	D23/335
D418,911 S *	1/2000	Birdsell et al.	D23/335

D420,437 S *	2/2000	Rossmann et al.	D23/335
D420,731 S *	2/2000	Rossmann et al.	D23/332
D441,065 S *	4/2001	Ediger et al.	D23/328
D448,837 S *	10/2001	Toro et al.	D23/335

* cited by examiner

Primary Examiner—T. Chase Nelson

Assistant Examiner—Eric L Goodman

(74) *Attorney, Agent, or Firm*—David H. Milligan; Sean P. Connolly; Husch Blackwell Sanders LLP

(57) **CLAIM**

The ornamental design for a heater, as shown and described.

DESCRIPTION

FIG. 1 is a top perspective view of the heater;

FIG. 2 is a front elevational view of the heater of FIG. 1;

FIG. 3 is a rear elevational view of the heater of FIG. 1;

FIG. 4 is a left elevational view of the heater of FIG. 1;

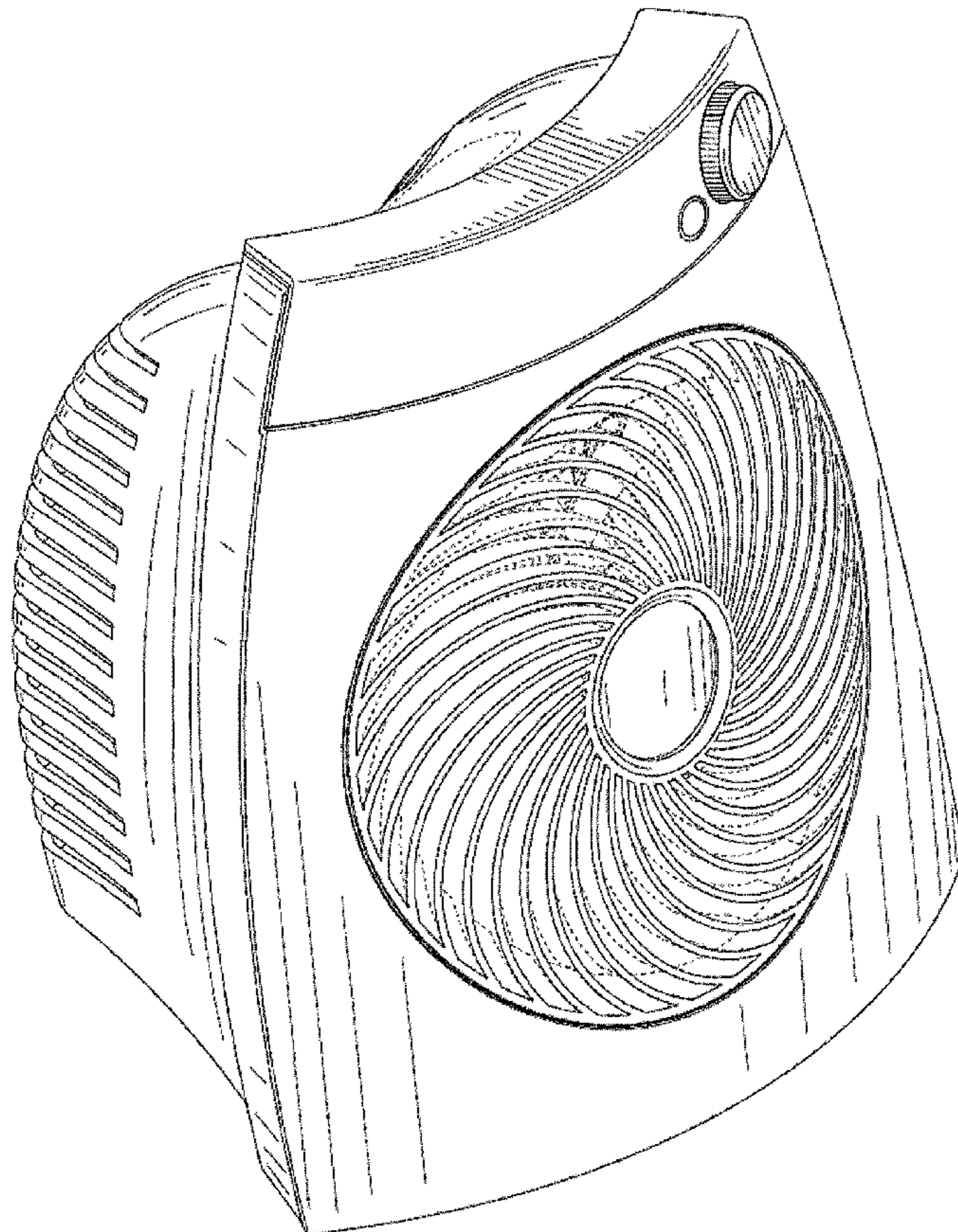
FIG. 5 is a right elevational view of the heater of FIG. 1;

FIG. 6 is a top plan view of the heater of FIG. 1; and,

FIG. 7 is a bottom plan view of the heater of FIG. 1.

The broken line drawings in FIGS. 1, 2, 3, 6 and 7 are for illustrative purposes only and form no part of the claimed design.

1 Claim, 7 Drawing Sheets



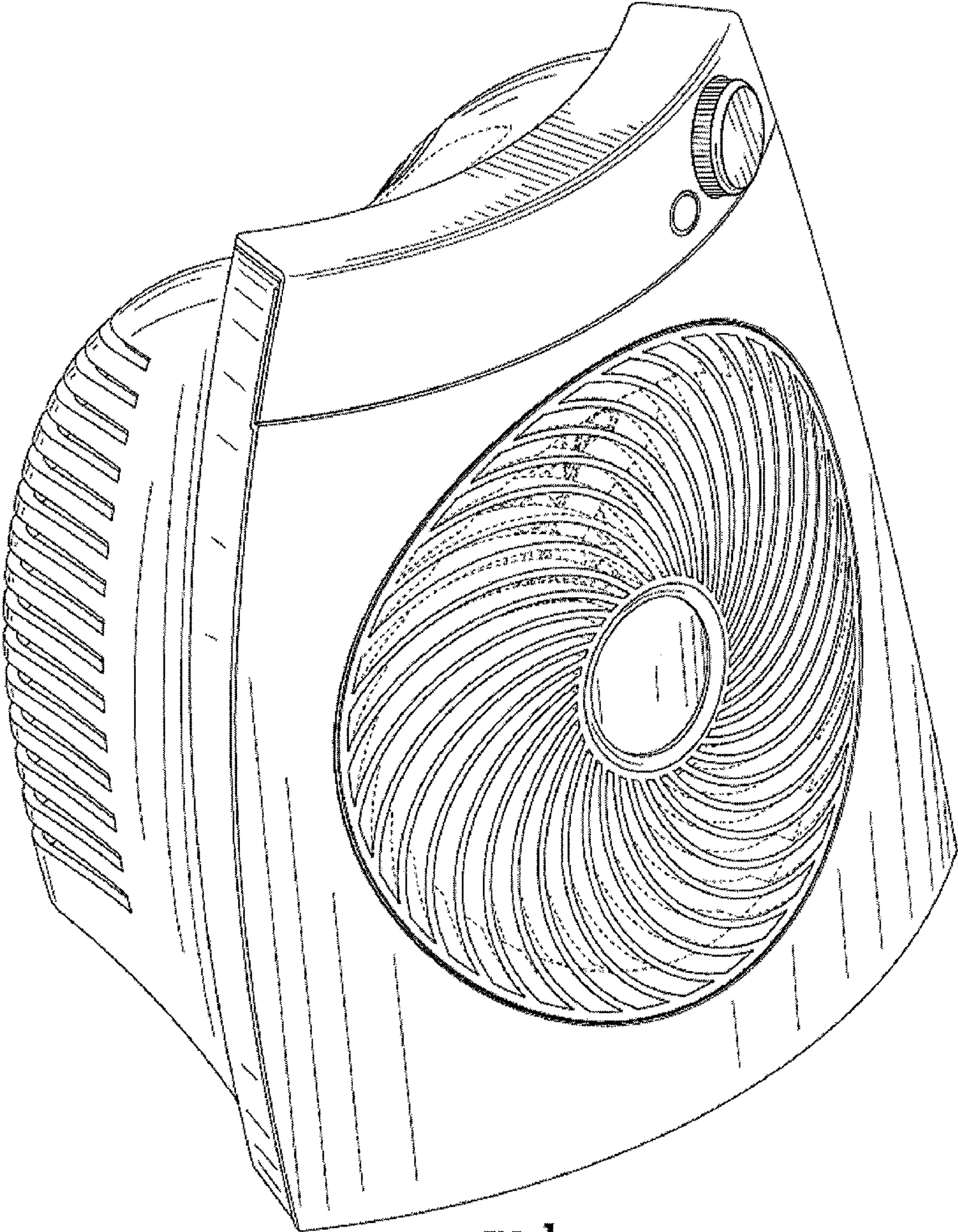


FIG. 1

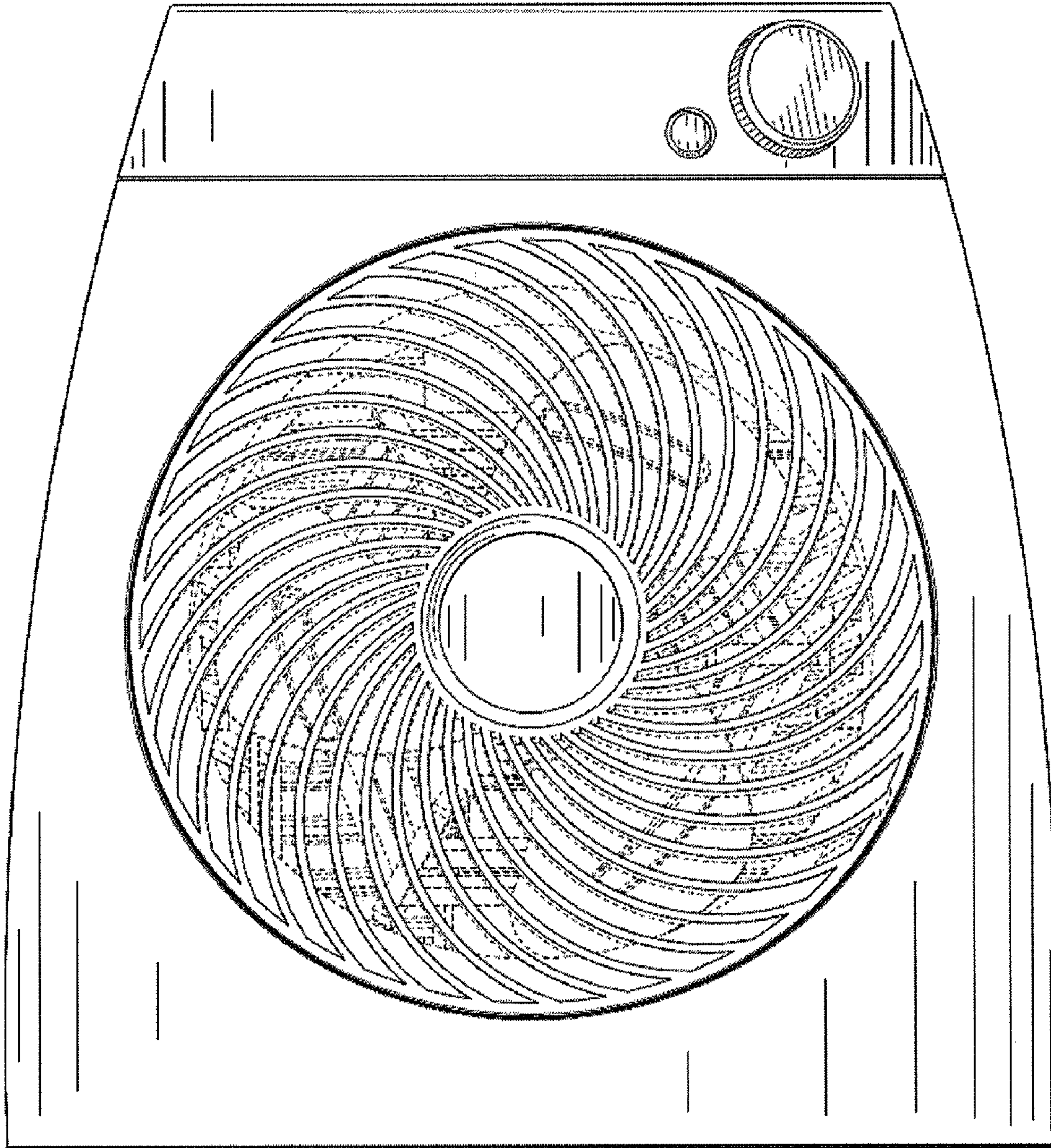


FIG. 2

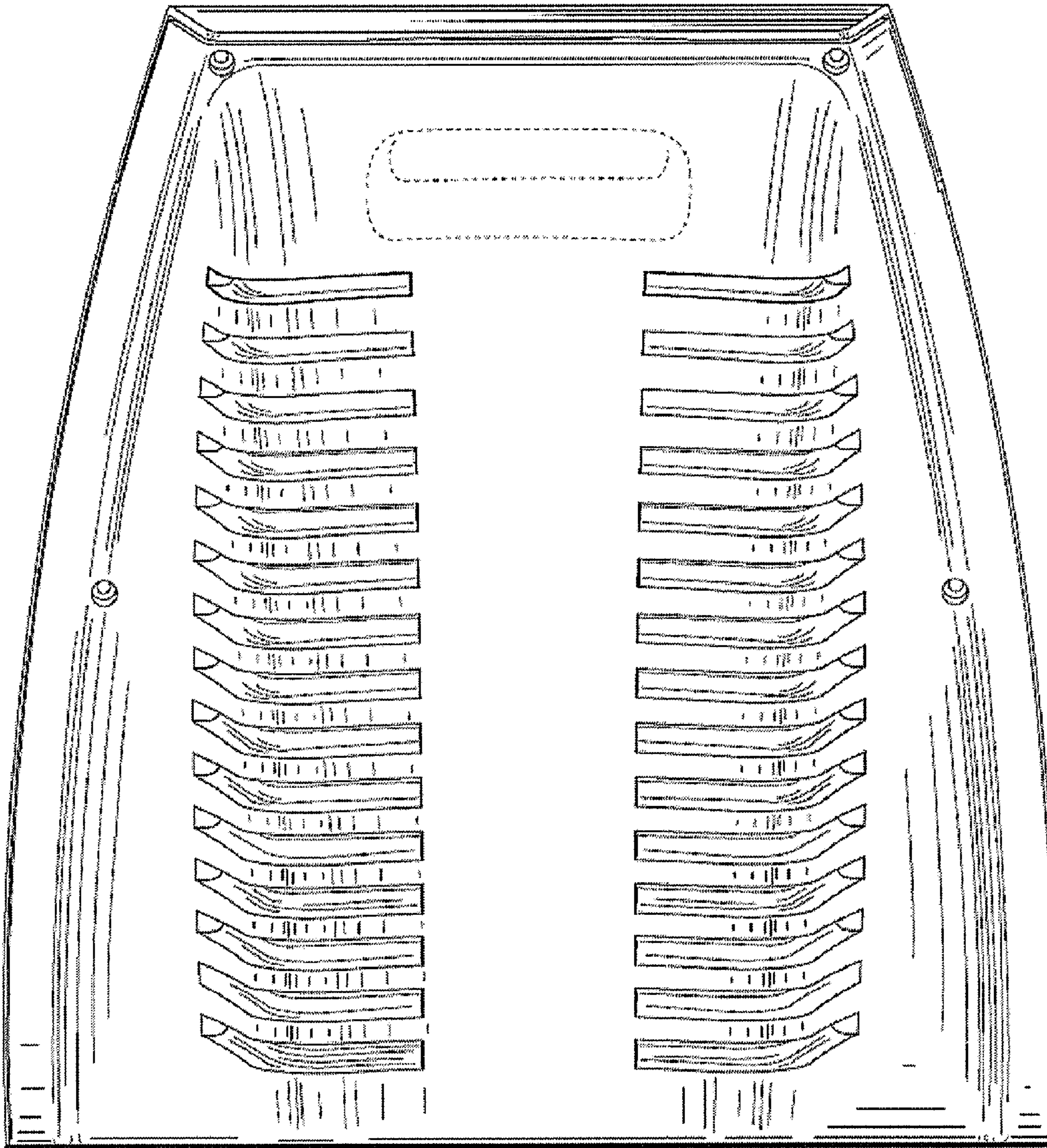


FIG. 3

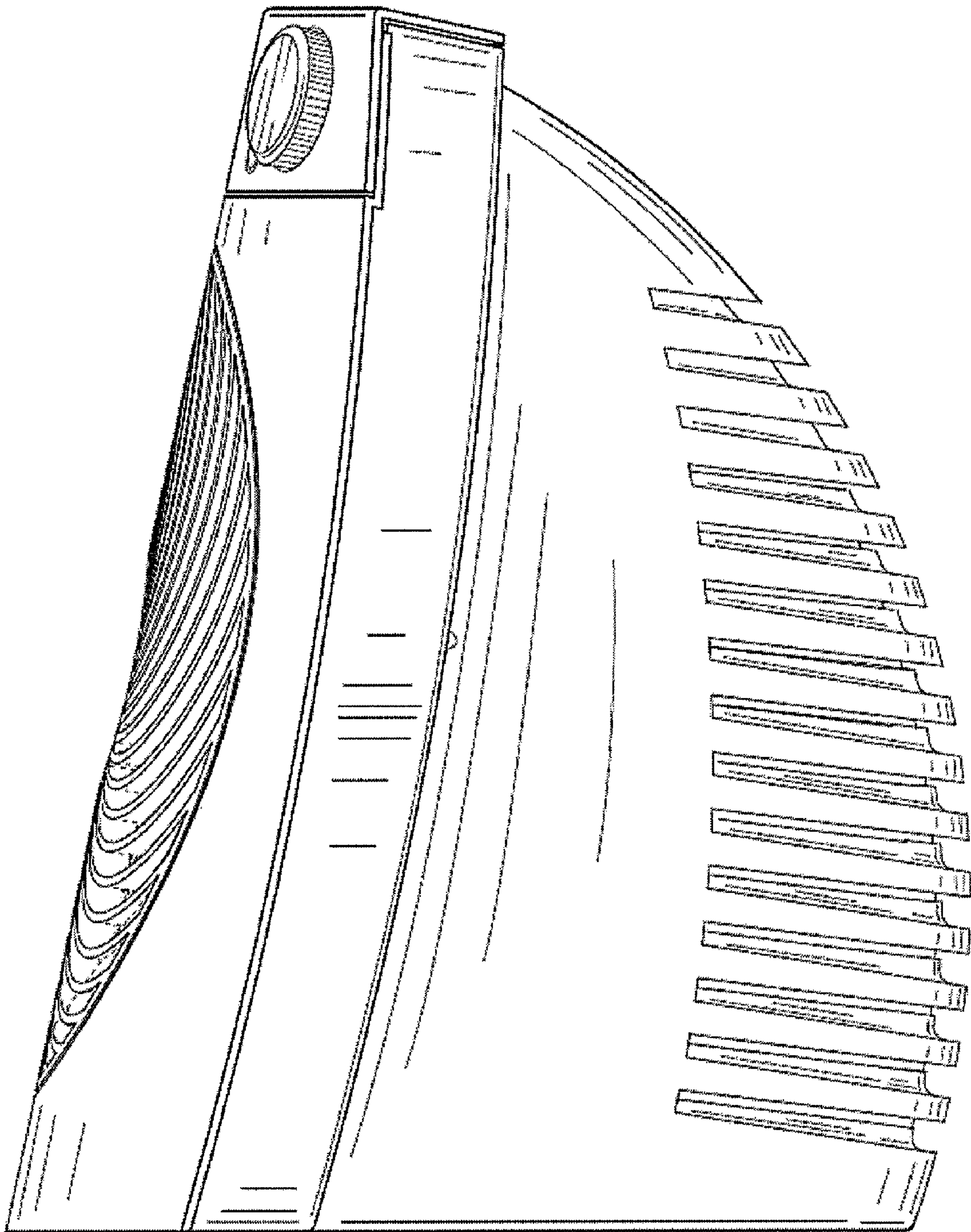


FIG. 4

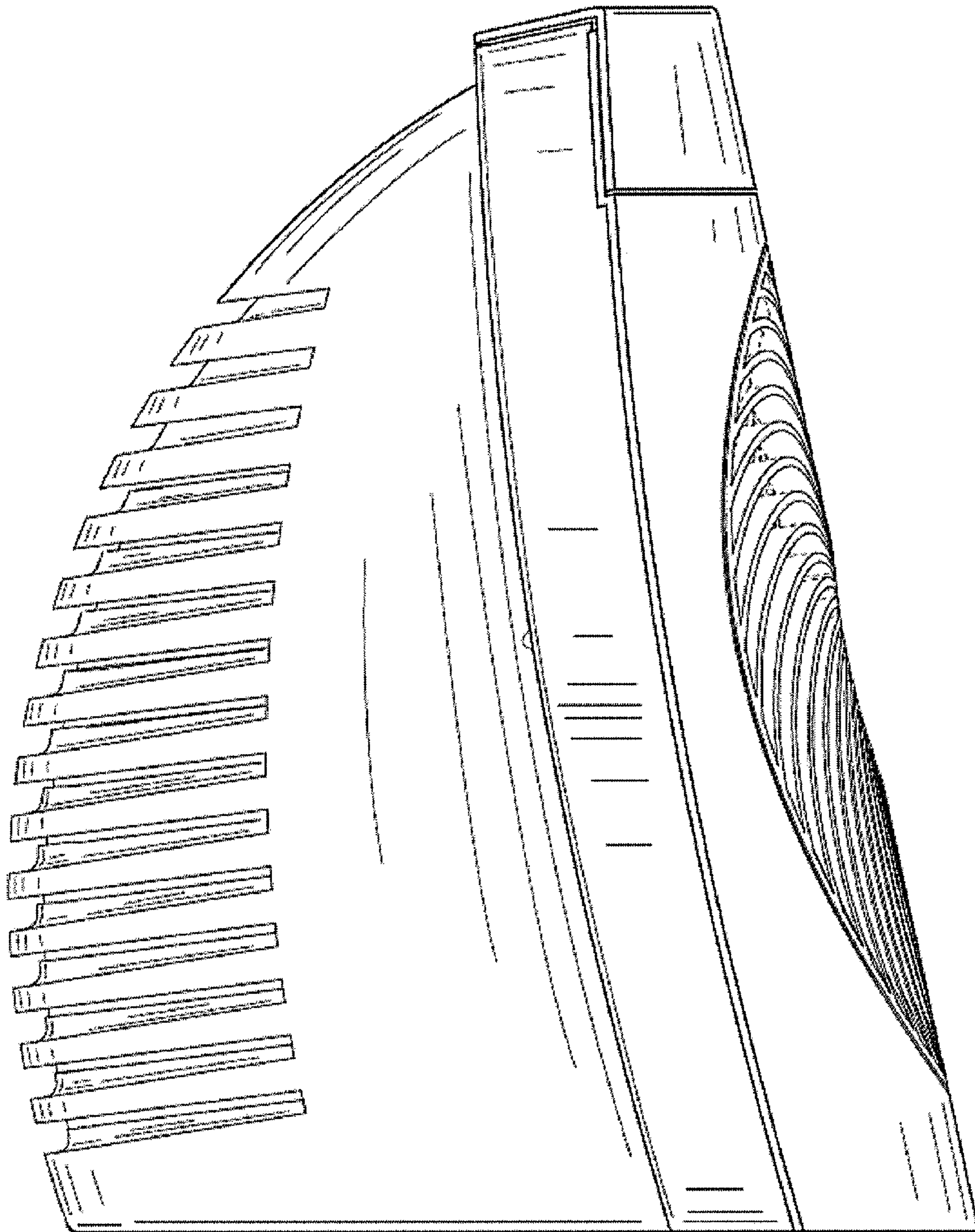


FIG. 5

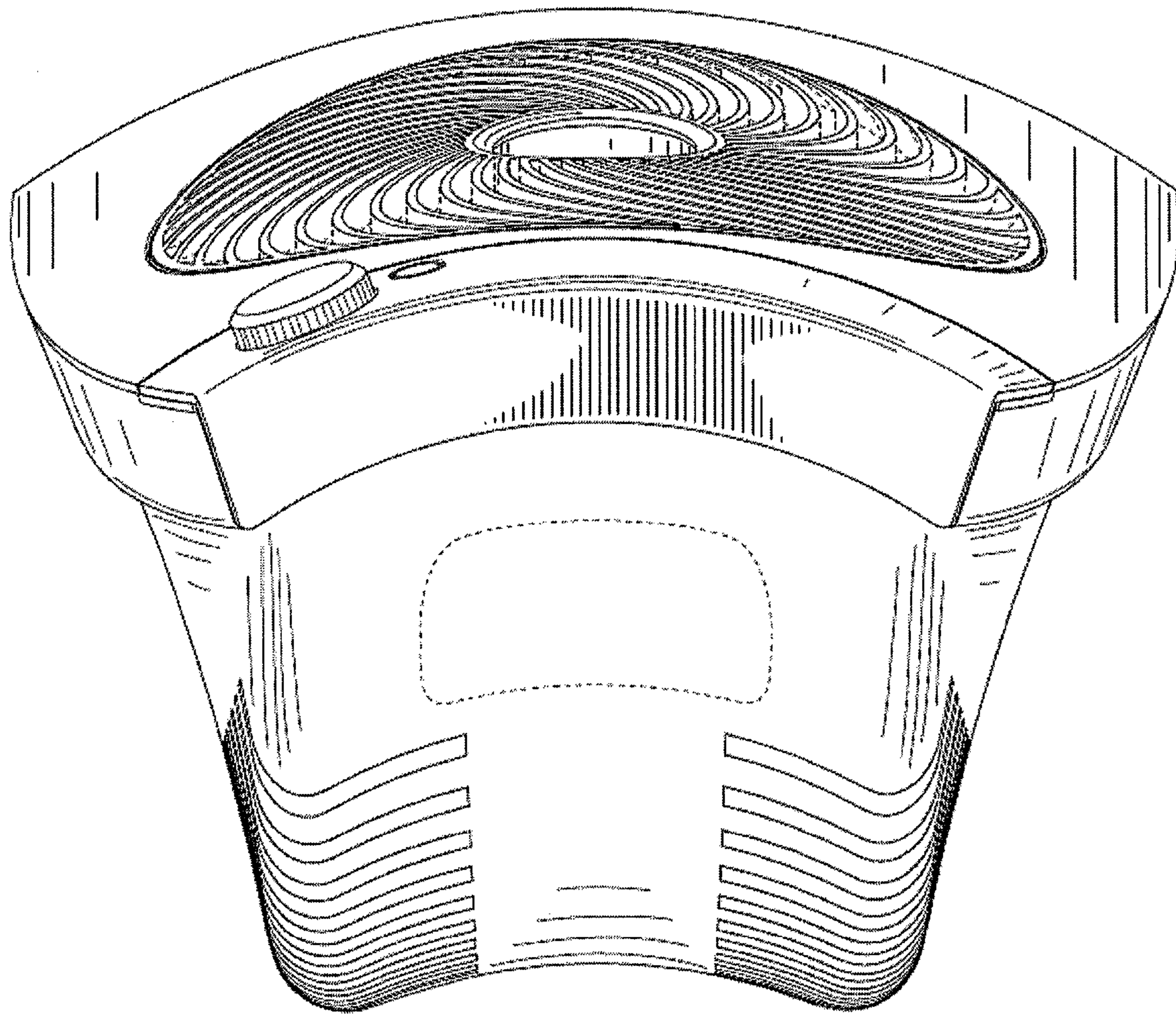


FIG. 6

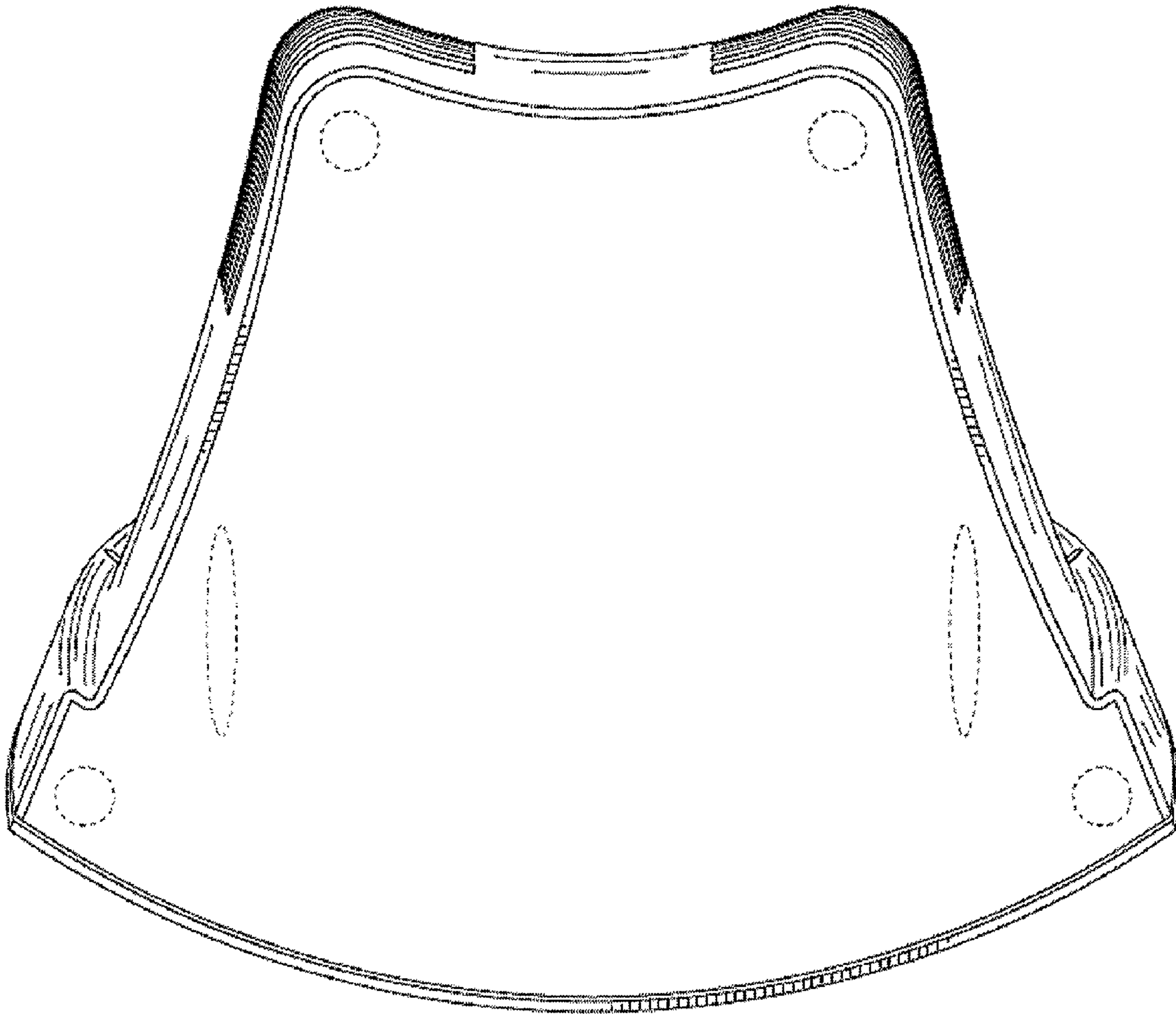


FIG. 7