



US00D597639S

(12) **United States Design Patent**  
**Chen Lee**

(10) **Patent No.:** **US D597,639 S**

(45) **Date of Patent:** **\*\* Aug. 4, 2009**

(54) **FAN FORCED HEATER**

D468,818 S \* 1/2003 Chuang et al. .... D23/328  
D567,930 S \* 4/2008 Smith ..... D23/382

(76) Inventor: **Yeh Chen Lee**, 4FL. No. 27, Lane 160,  
Hsin Sheng S. Rd., Sec. 1, P.O. Box  
1-79, Taipei (TW) 103

\* cited by examiner

*Primary Examiner*—Lisa P Lichtenstein

(\*\*) Term: **14 Years**

(57) **CLAIM**

(21) Appl. No.: **29/290,317**

The ornamental design for a fan forced heater, as shown.

(22) Filed: **Nov. 19, 2007**

**DESCRIPTION**

(51) **LOC (9) Cl.** ..... **23-04**

FIG. 1 is a perspective view of the fan forced heater of this invention;

(52) **U.S. Cl.** ..... **D23/328**

FIG. 2 is a front view thereof;

(58) **Field of Classification Search** ..... D23/382,

FIG. 3 is a rear view thereof;

D23/381, 332, 370, 328, 335, 336, 337, 412,

FIG. 4 is a left view thereof;

D23/411; 416/246 R, 247 R, 244 R

FIG. 5 is a right view thereof;

See application file for complete search history.

FIG. 6 is a top view thereof; and,

FIG. 7 is a bottom view thereof.

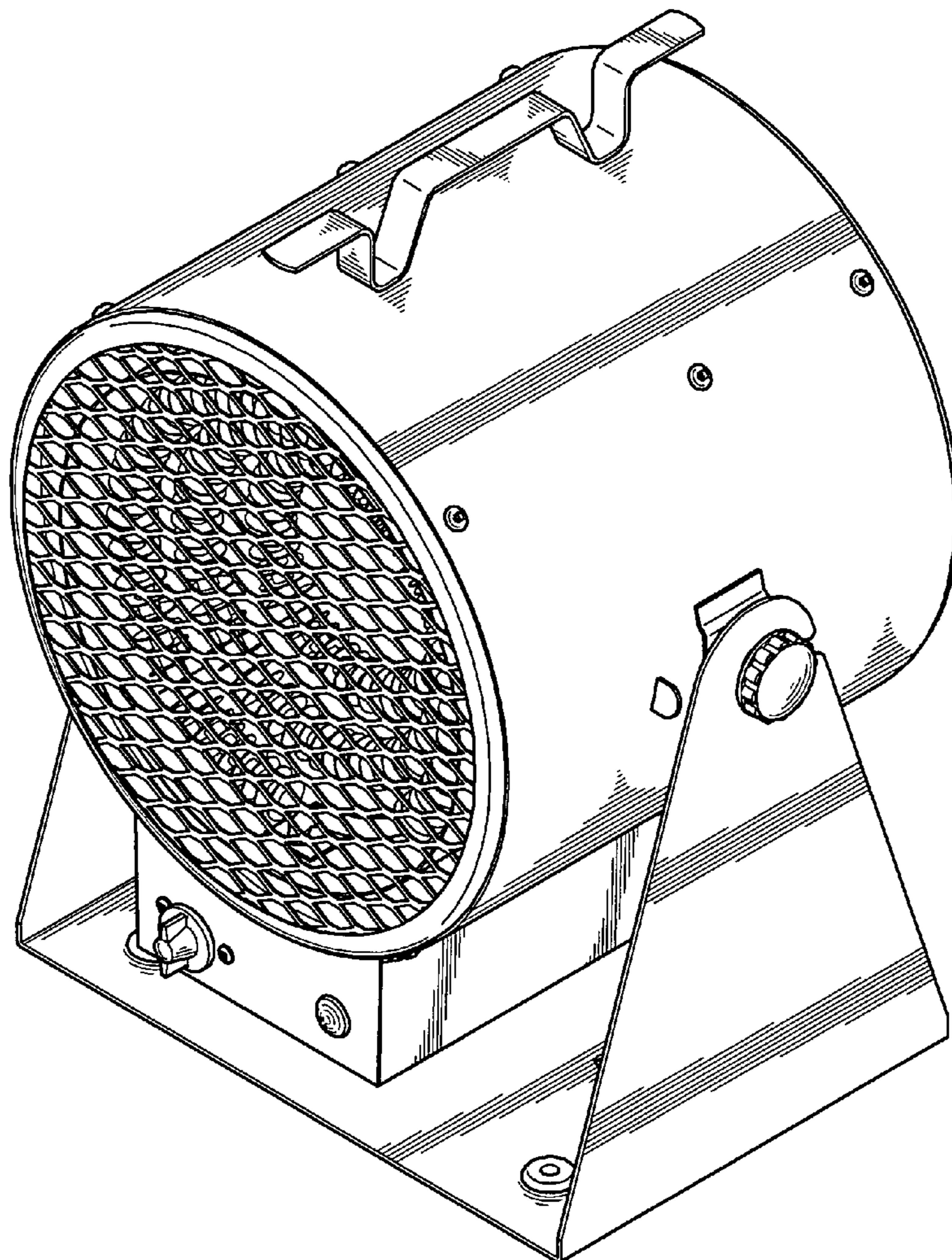
(56) **References Cited**

**U.S. PATENT DOCUMENTS**

D353,660 S \* 12/1994 Cuning ..... D23/382

D397,192 S \* 8/1998 Chiu et al. .... D23/328

**1 Claim, 7 Drawing Sheets**



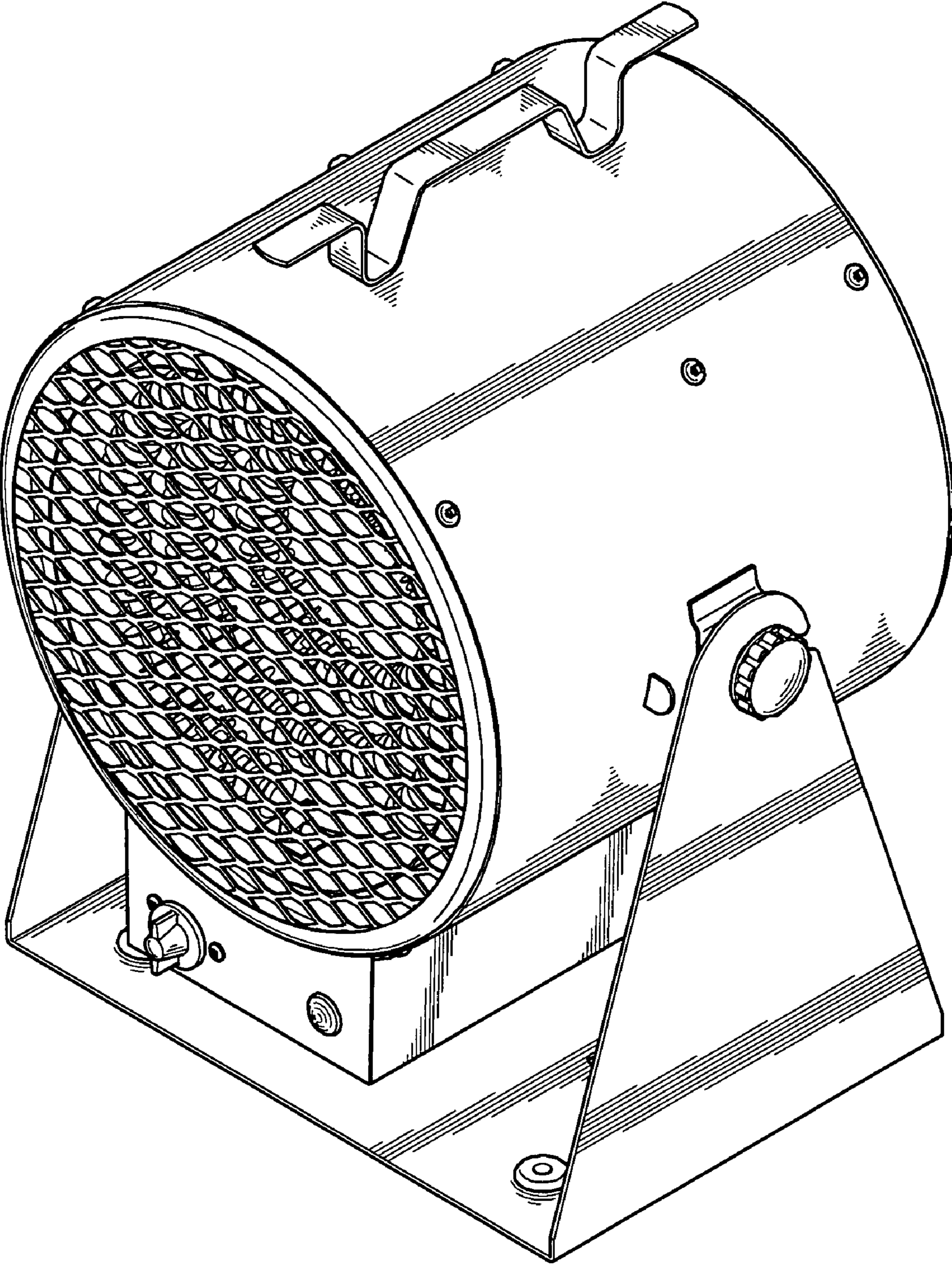


FIG. 1

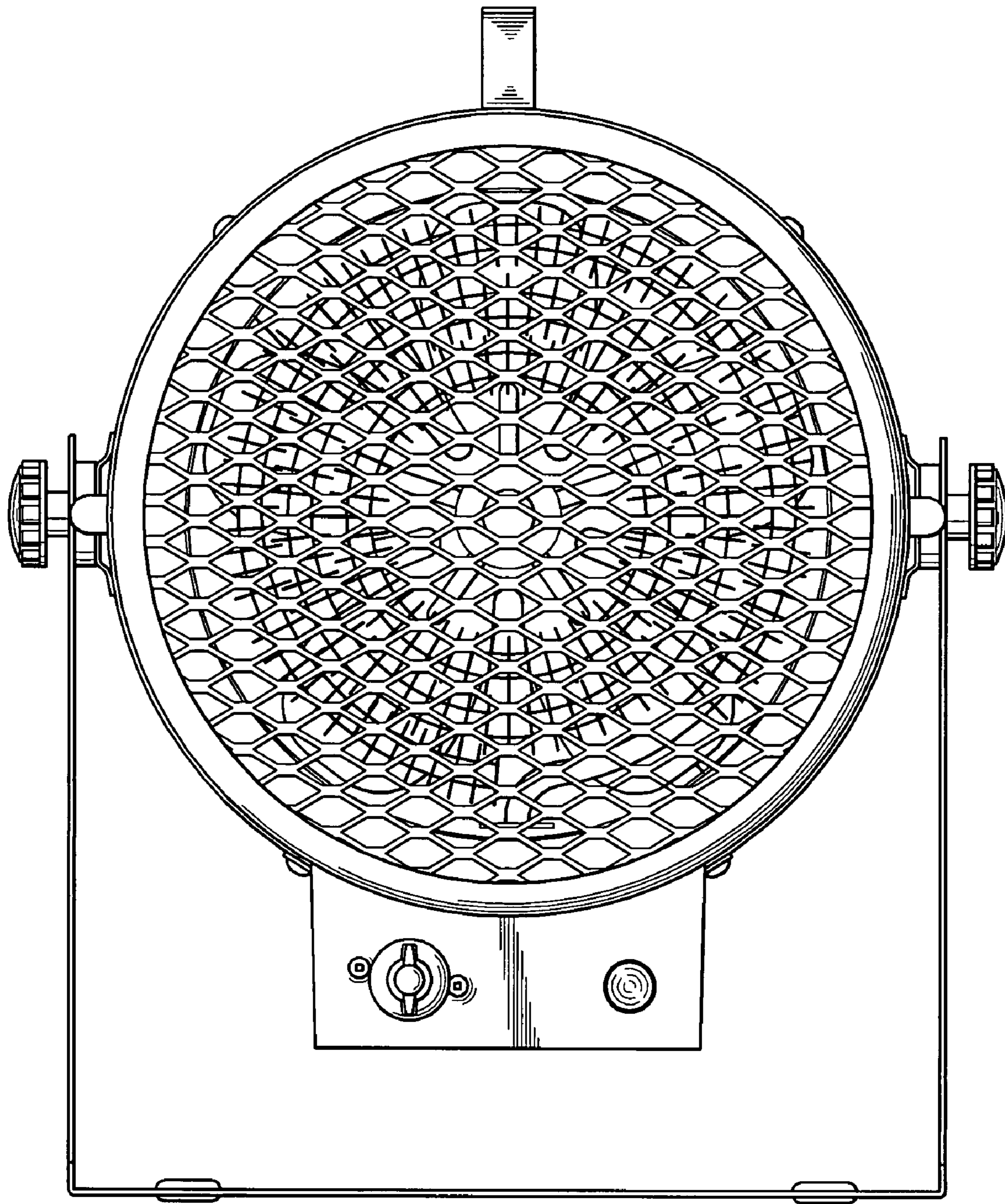


FIG. 2

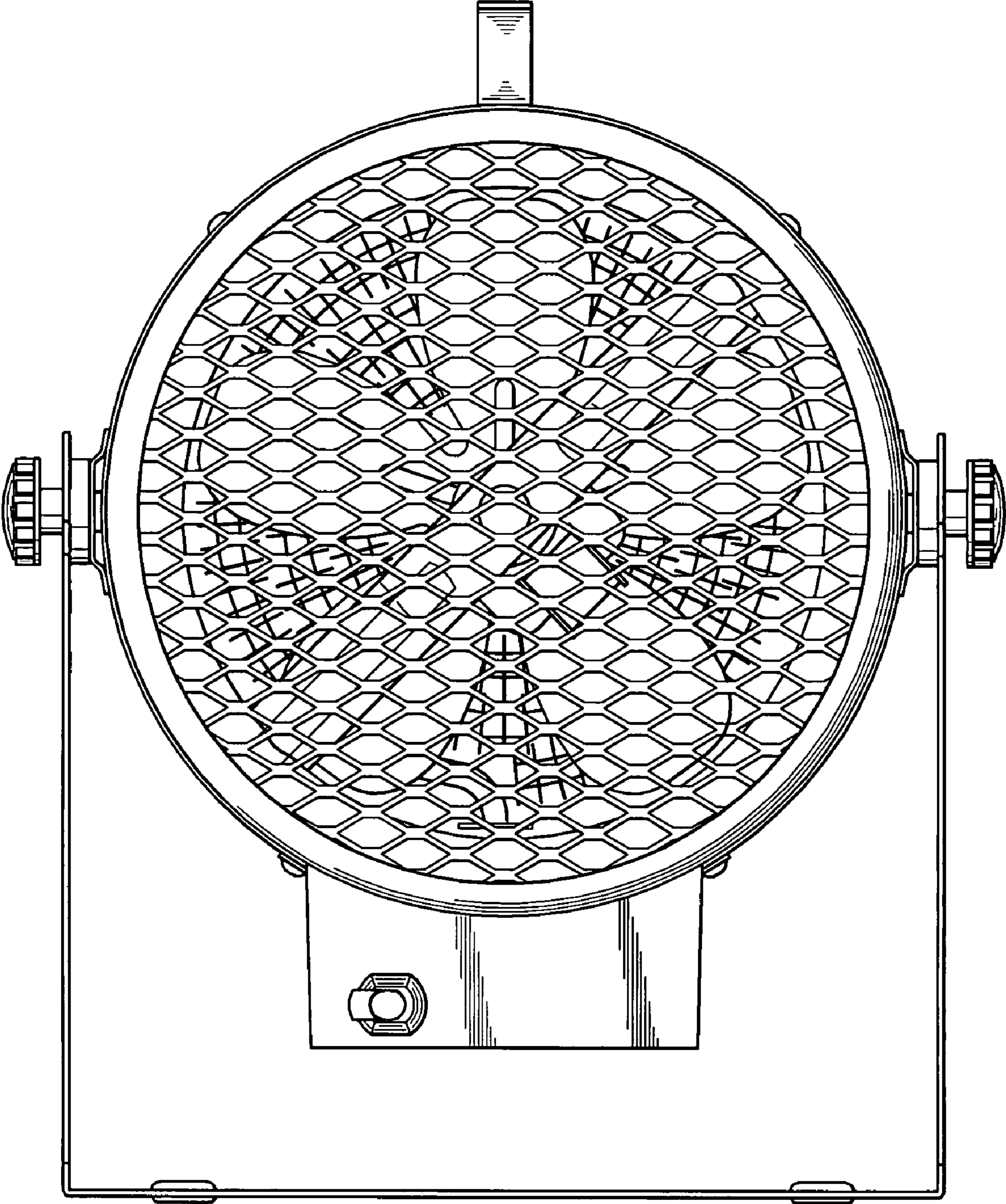


FIG. 3

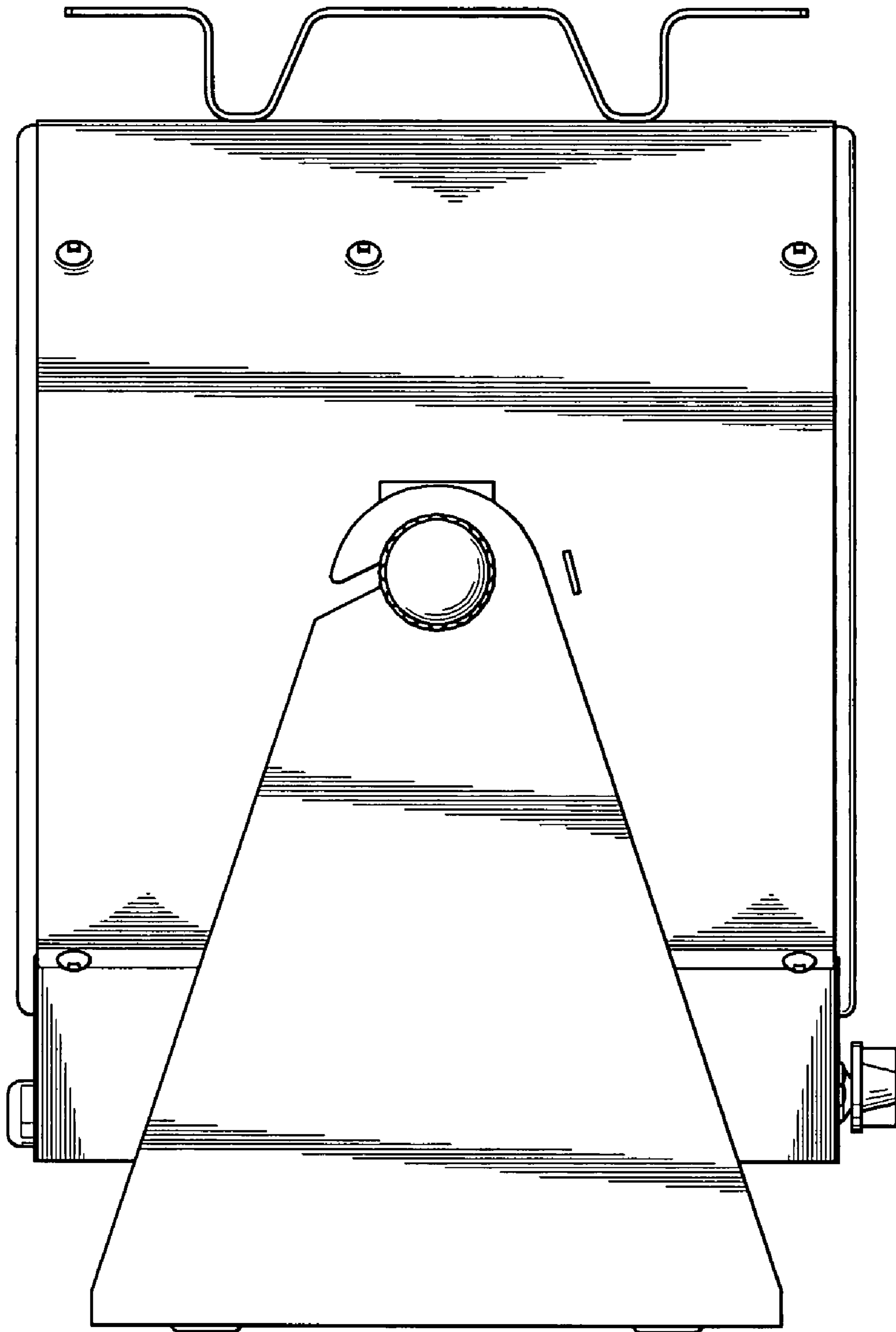


FIG. 4

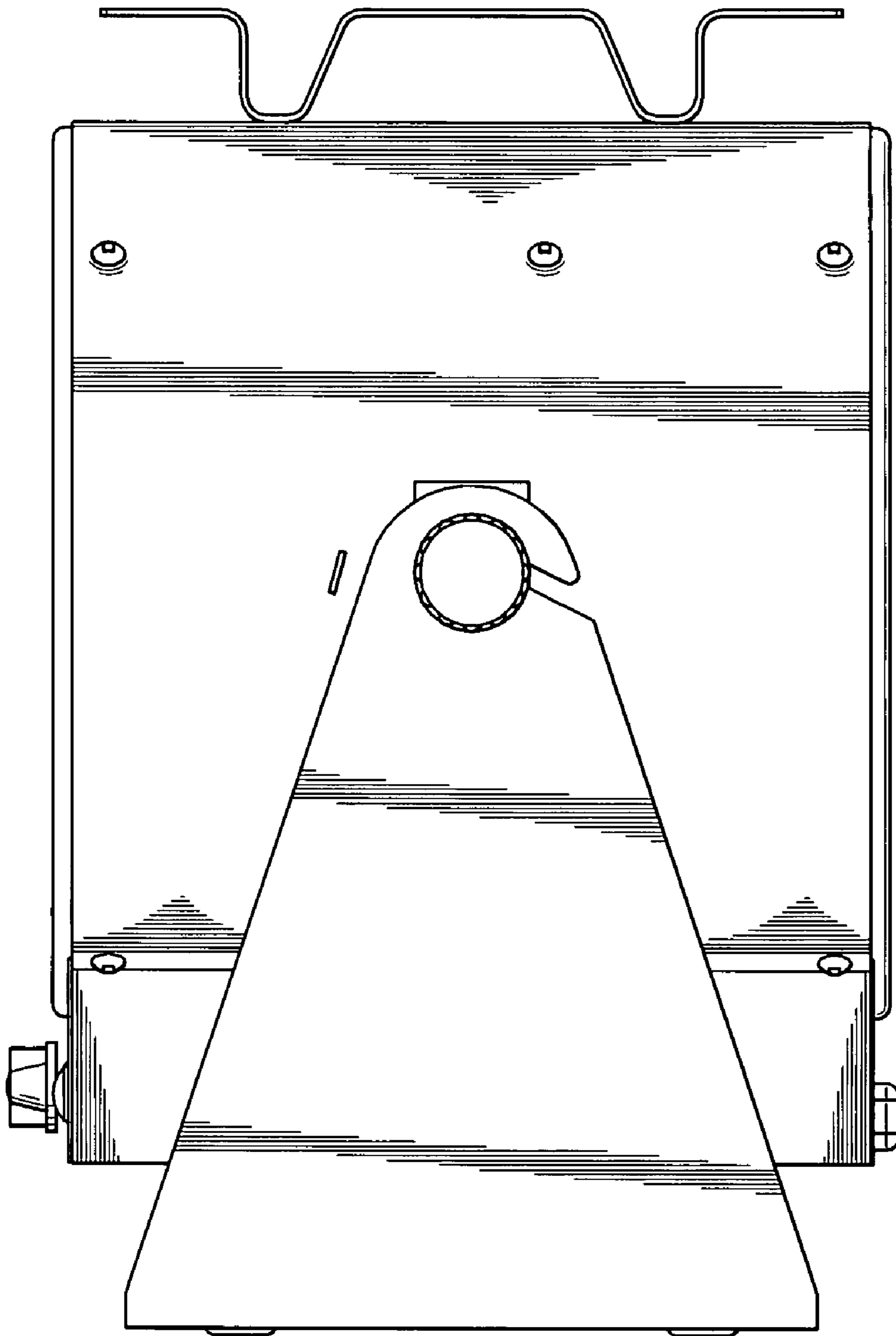


FIG. 5

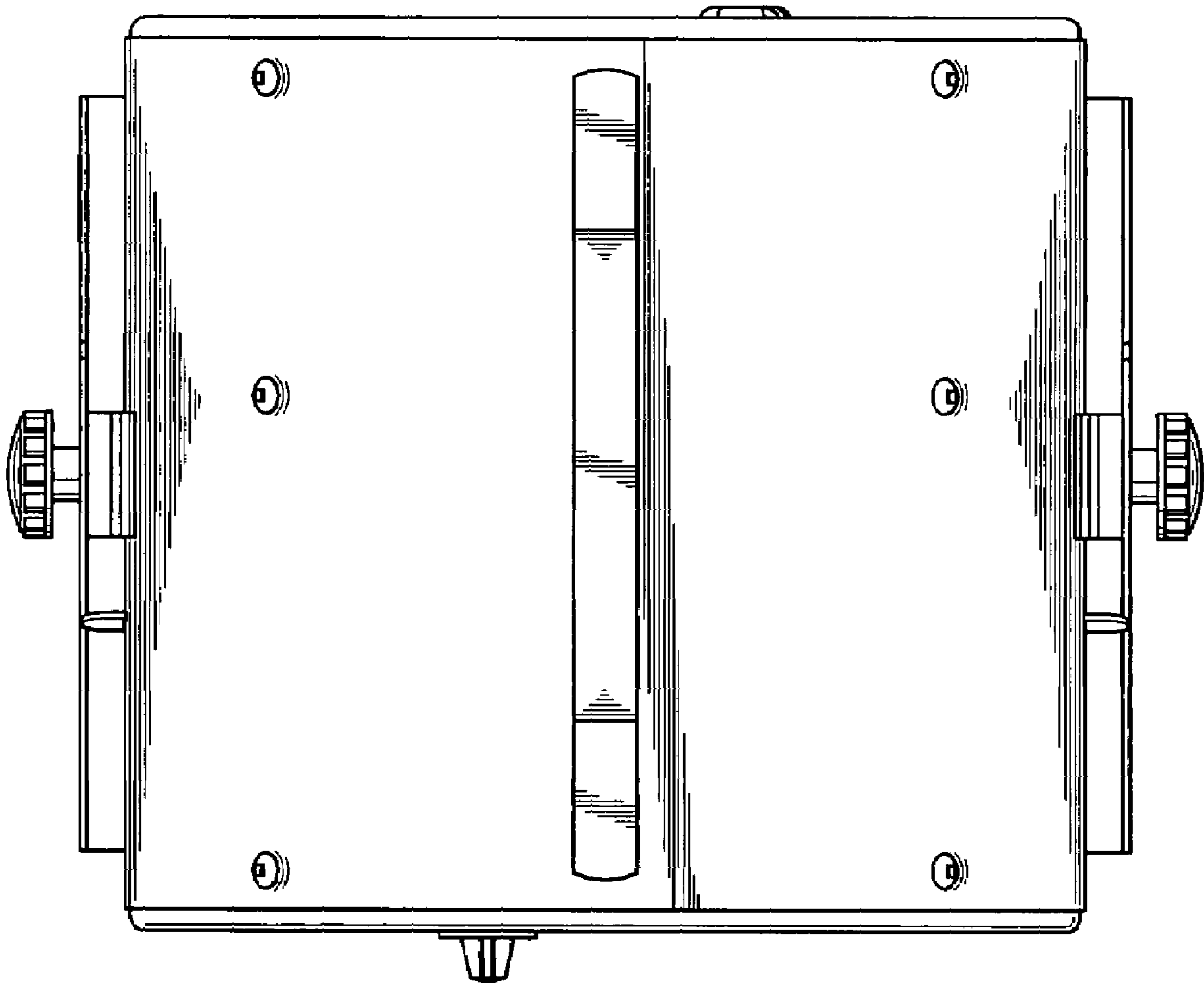


FIG. 6

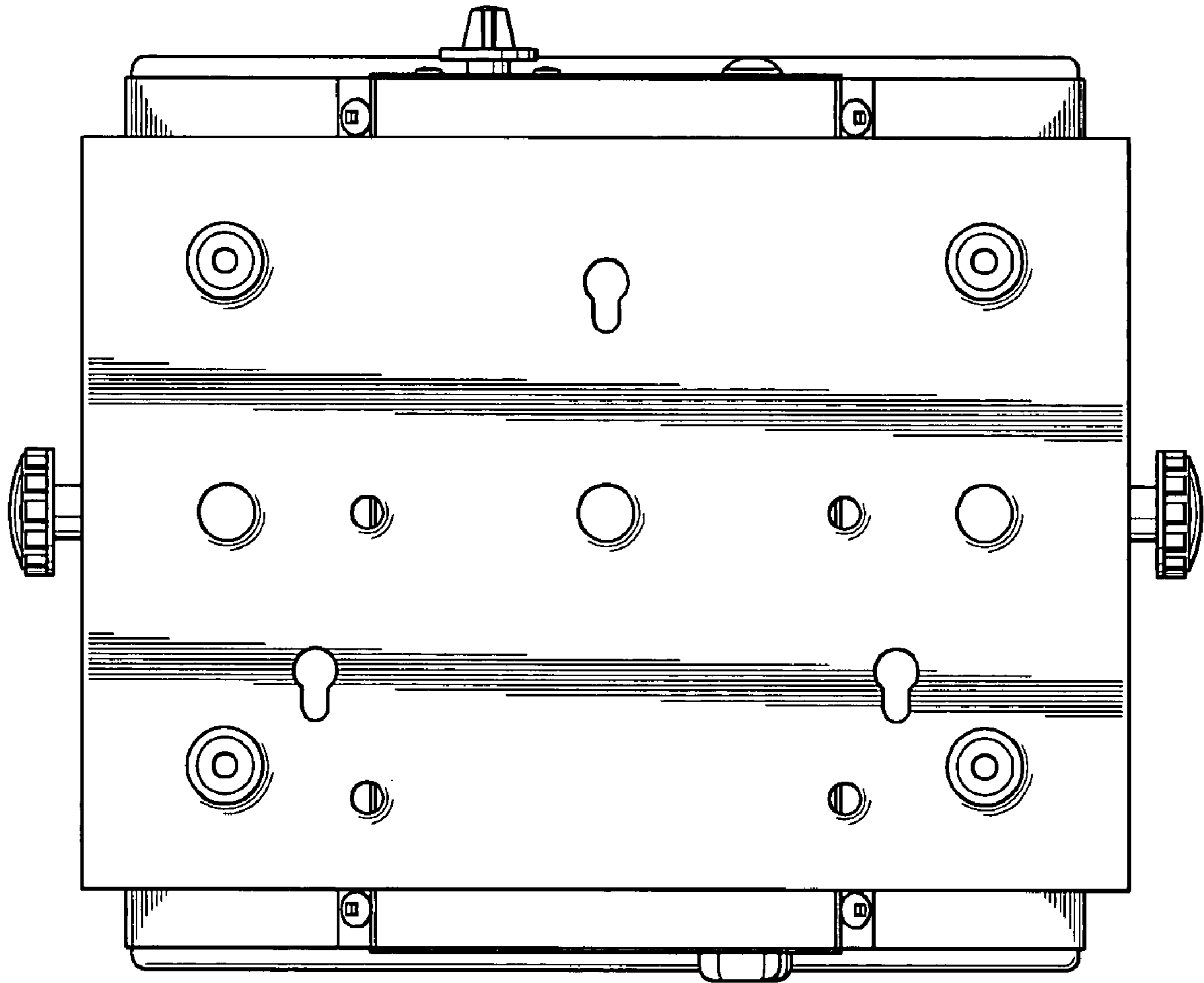


FIG. 7