

US00D597636S

(12) **United States Design Patent**
Choi

(10) **Patent No.:** **US D597,636 S**

(45) **Date of Patent:** **** Aug. 4, 2009**

(54) **FITTING**

(76) **Inventor:** **Yuk Nam Choi, 2235-202,**
Jindalreamaeul, WonmiGu, Bucheonsi
GyeonggiDo (KR)

(**) **Term:** **14 Years**

(21) **Appl. No.:** **29/304,463**

(22) **Filed:** **Mar. 3, 2008**

(30) **Foreign Application Priority Data**

Sep. 26, 2007 (EM) 000796933

(51) **LOC (9) Cl.** **23-01**

(52) **U.S. Cl.** **D23/263**

(58) **Field of Classification Search** D23/213,
D23/249, 257, 259, 260, 261, 262, 263, 264,
D23/265, 266, 267, 268; 285/89, 93, 305,
285/322, 323, 308, 348, 351, 422, 906; D15/7;
4/675-678; 403/291, 300

See application file for complete search history.

(56) **References Cited**

U.S. PATENT DOCUMENTS

2,147,431 A * 2/1939 Ewing 285/179

2,192,565 A * 3/1940 Suckely 277/622

4,712,810 A * 12/1987 Pozzi 285/93
5,165,731 A * 11/1992 Kimuta 285/220
5,213,375 A * 5/1993 Wu 285/38
6,447,019 B1 * 9/2002 Hosono et al. 285/148.19
7,093,862 B2 * 8/2006 Muto 285/322
D529,998 S * 10/2006 Mutou D23/262
7,210,708 B2 * 5/2007 Muto 285/256

* cited by examiner

Primary Examiner—Cathron C Brooks

Assistant Examiner—Michael A Pratt

(74) *Attorney, Agent, or Firm*—Notaro & Michalos P.C.

(57) **CLAIM**

The ornamental design for a fitting, as shown and described.

DESCRIPTION

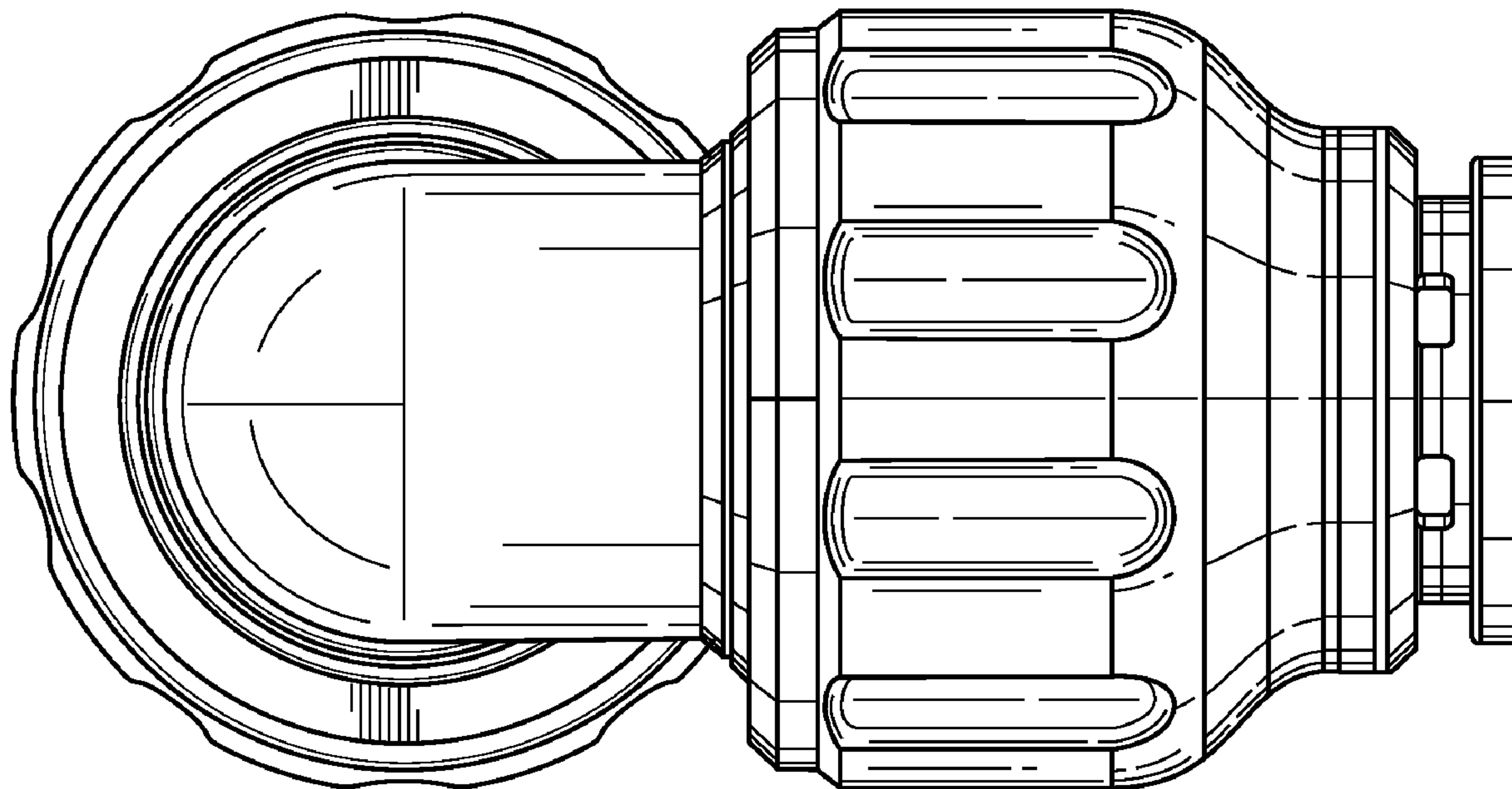
FIG. 1 is a left view of the fitting showing my new design therefor;

FIG. 2 is a front elevational view thereof, the rear elevational view being identical;

FIG. 3 is a top plan view thereof, the bottom plan view being identical to FIG. 1, the portions shown in broken lines forming no part of the design; and,

FIG. 4 is a right side view thereof, the portions shown in broken lines forming no part of the design.

1 Claim, 4 Drawing Sheets



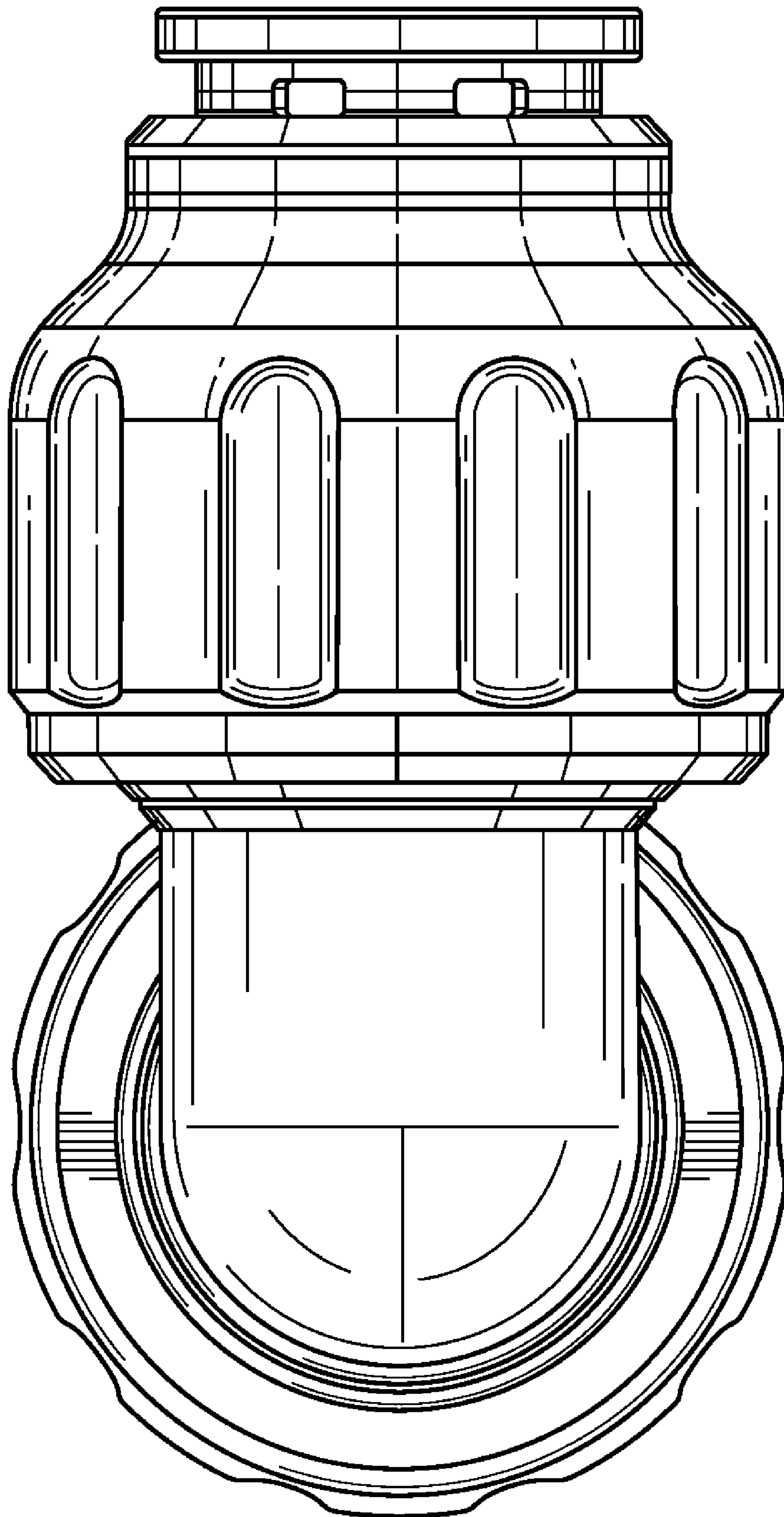


FIG. 1

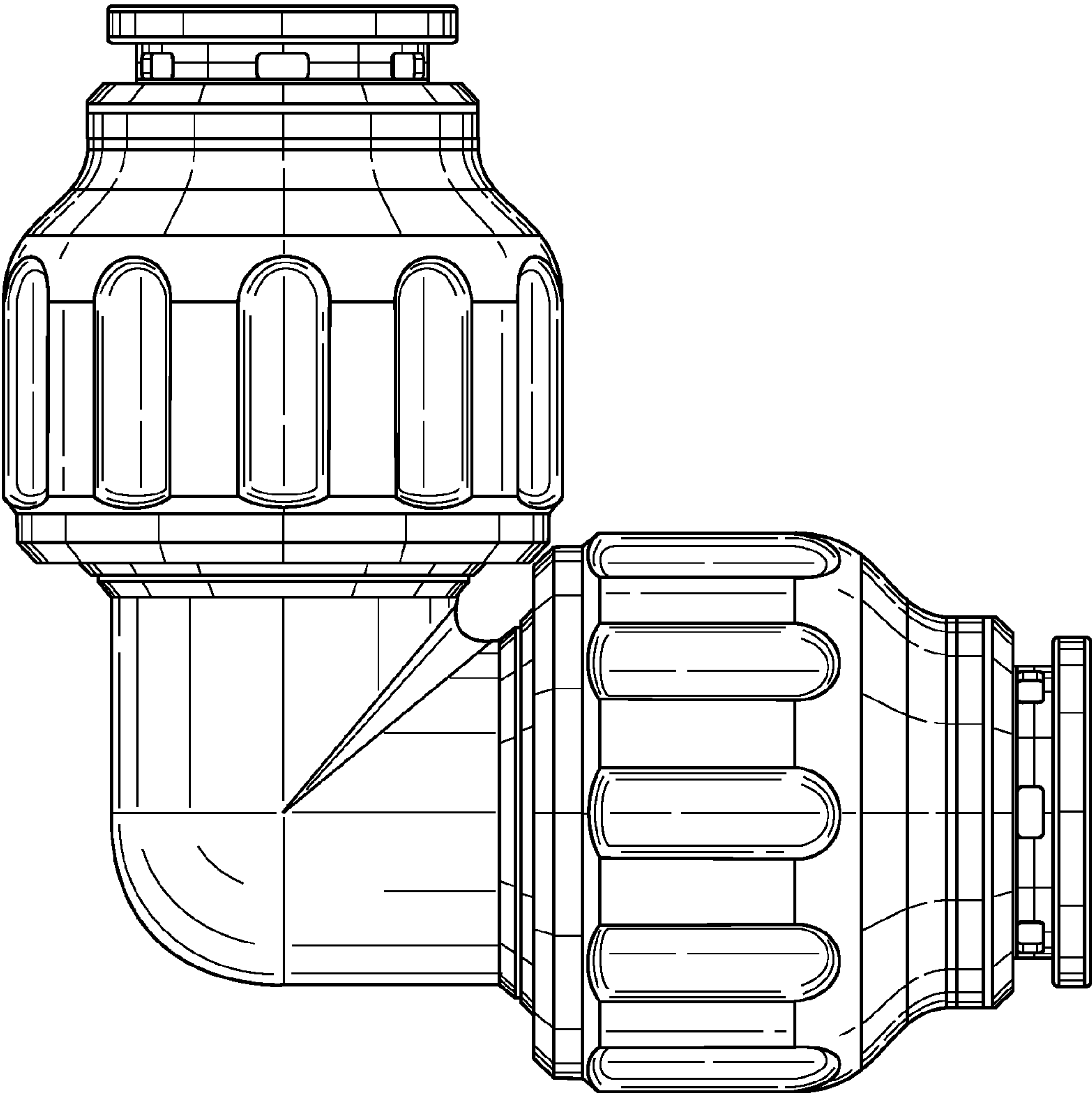


FIG. 2

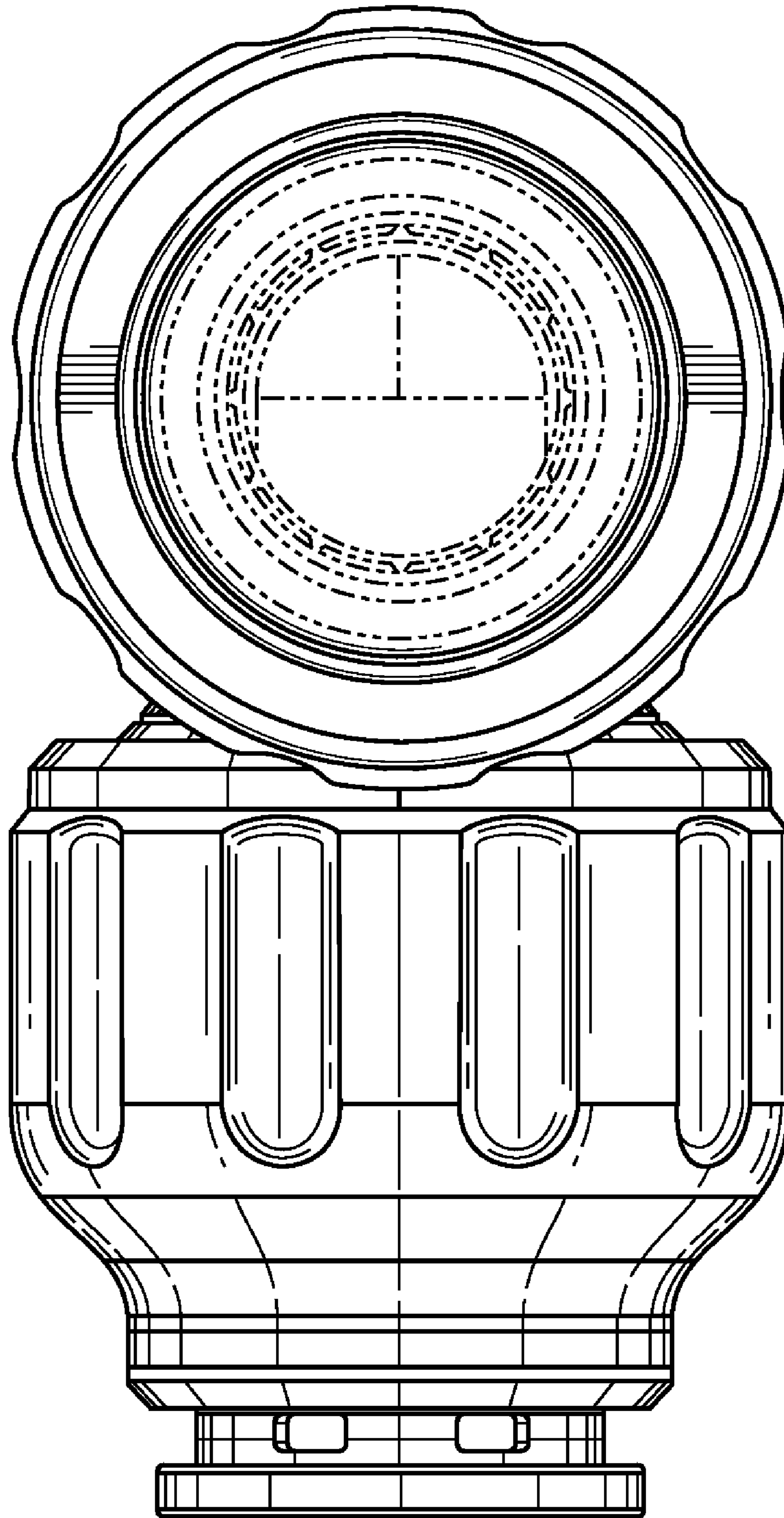


FIG. 3

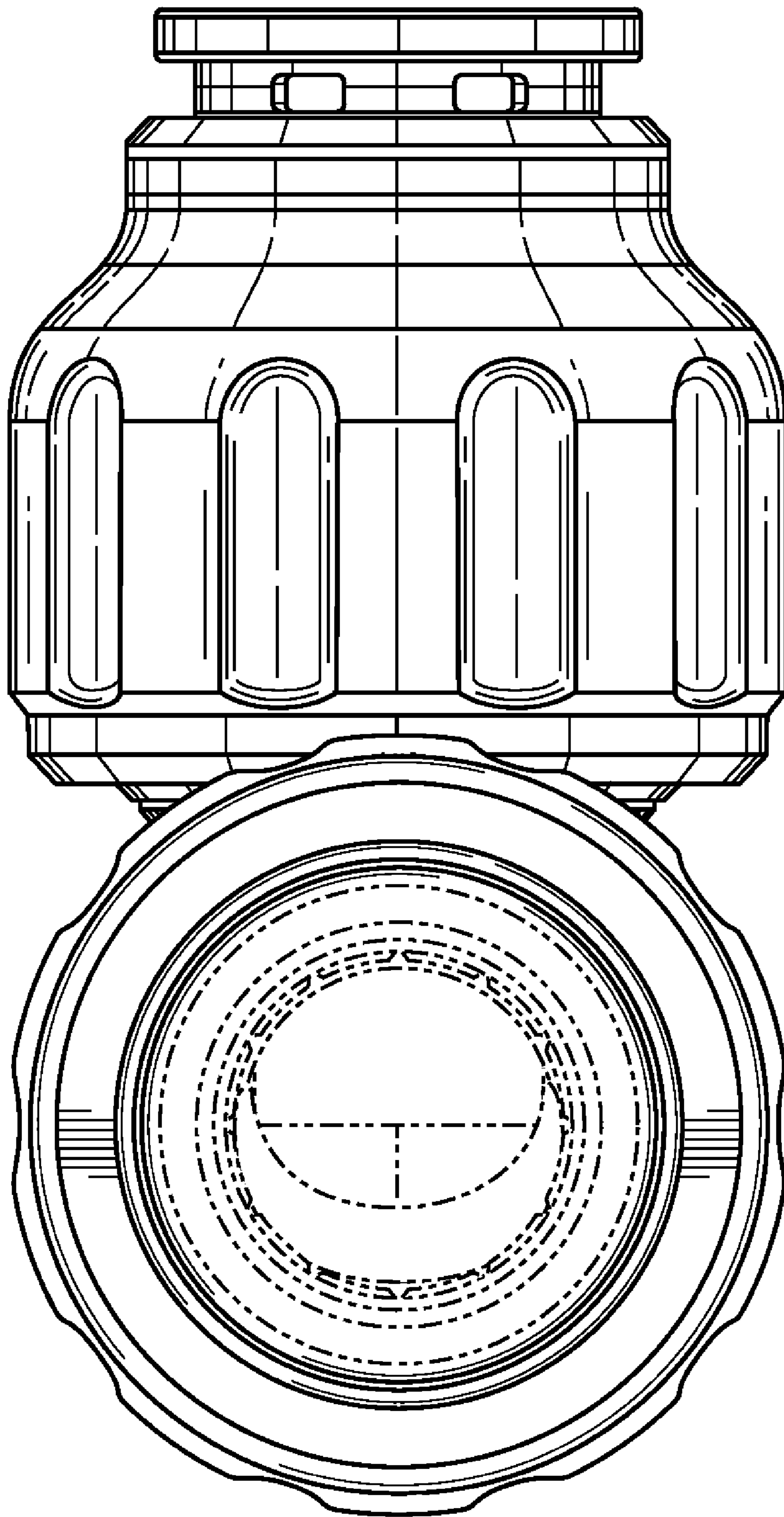


FIG. 4