



US00D597635S

(12) **United States Design Patent**
Dole

(10) **Patent No.:** **US D597,635 S**

(45) **Date of Patent:** **** Aug. 4, 2009**

(54) **NOZZLE COUPLING**

(75) **Inventor:** **Douglas R. Dole**, Whitehouse Station,
NJ (US)

(73) **Assignee:** **Victaulic Company**, Easton, PA (US)

(**) **Term:** **14 Years**

(21) **Appl. No.:** **29/304,002**

(22) **Filed:** **Feb. 22, 2008**

(51) **LOC (9) Cl.** **23-01**

(52) **U.S. Cl.** **D23/262**

(58) **Field of Classification Search** D8/354–356,
D8/371, 394–396; 24/16 R, 278–279, 486,
24/489, 505, 275, 499, 518, 268; 248/49,
248/62, 74.1–74.4, 73, 58, 72; 285/406,
285/415; D23/262–265

See application file for complete search history.

(56) **References Cited**

U.S. PATENT DOCUMENTS

D142,057 S	8/1945	Baxter	D23/265
D189,229 S	11/1960	Bowne	D23/265
3,006,663 A	10/1961	Bowne	285/233
3,544,138 A	12/1970	Von Eiff	285/336
5,653,481 A	8/1997	Alderman	285/363
D411,440 S	6/1999	Stahel	D8/396
D414,405 S	9/1999	Tompkins	D8/396
6,056,332 A	5/2000	Foster	285/367
D438,783 S	3/2001	Elliott	D8/396
6,267,037 B1	7/2001	McCoy et al.	63/745
6,708,377 B2	3/2004	Maunder	24/279
D488,852 S *	4/2004	Pampinella	D23/262
6,908,123 B2	6/2005	Le	285/402
D553,971 S	10/2007	Krueger	D8/396
7,290,805 B2	11/2007	Wu	285/365
D558,307 S *	12/2007	Gibb et al.	D23/265
D560,764 S *	1/2008	Gibb et al.	D23/265
D568,451 S *	5/2008	Gibb et al.	D23/262
D568,970 S *	5/2008	Gibb et al.	D23/262
D568,971 S *	5/2008	Gibb et al.	D23/262
D570,458 S *	6/2008	Gibb et al.	D23/262

7,401,819 B2 *	7/2008	Gibb et al.	285/373
D577,423 S *	9/2008	Dole	D23/265
D583,444 S *	12/2008	Nagle et al.	D23/262
D583,914 S *	12/2008	Pierce et al.	D23/262
D583,916 S *	12/2008	Madara et al.	D23/265
2002/0109355 A1 *	8/2002	Elliott	285/410

OTHER PUBLICATIONS

U.S. Appl. No. 29/303,126, filed Feb. 01, 2008, entitled Nozzle Coupling (Dole) Allowed Mar. 31, 2008.

U.S. Appl. No. 29/302,128, filed Jan. 10, 2008, entitled Nozzle Coupling (Dole).

Style 220 and 221 Flue Gas Nozzle Couplings, Victaulic Company, 2006.

* cited by examiner

Primary Examiner—T. Chase Nelson

Assistant Examiner—Eric L Goodman

(74) *Attorney, Agent, or Firm*—Ballard Spahr Andrews and Ingersoll, LLP

(57) **CLAIM**

I claim the ornamental design for a nozzle coupling, as shown and described.

DESCRIPTION

FIG. 1 is a perspective view of my design for a nozzle coupling;

FIG. 2 is a front view of the design for a nozzle coupling shown in FIG. 1;

FIG. 3 is a rear view of the design for a nozzle coupling shown in FIG. 1;

FIG. 4 is a top view of the design for a nozzle coupling shown in FIG. 1;

FIG. 5 is a bottom view of the design for a nozzle coupling shown in FIG. 1;

FIG. 6 is a right side view of the design for a nozzle coupling shown in FIG. 1; and,

FIG. 7 is a left side view of the design for a nozzle coupling shown in FIG. 1.

1 Claim, 3 Drawing Sheets

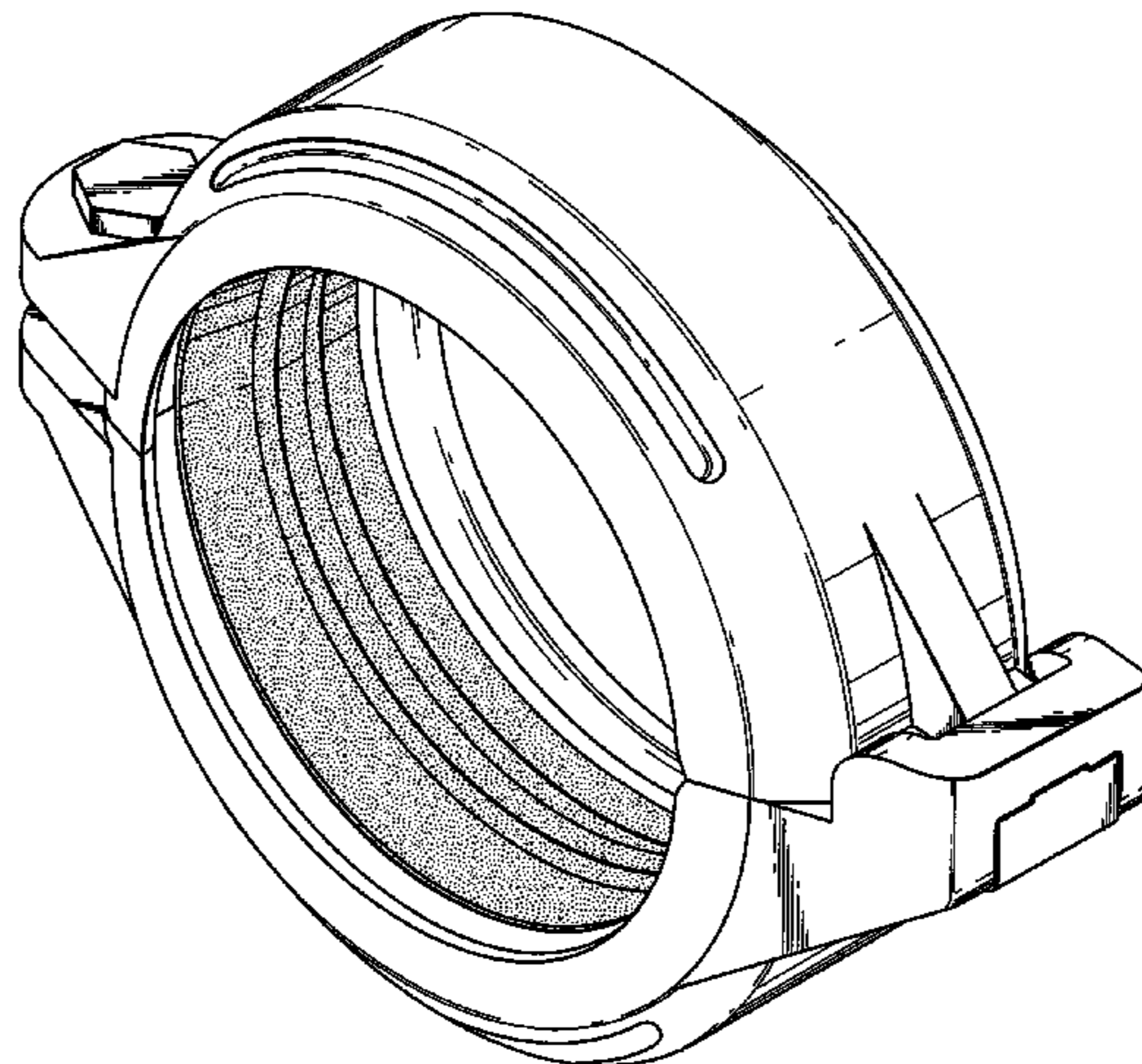
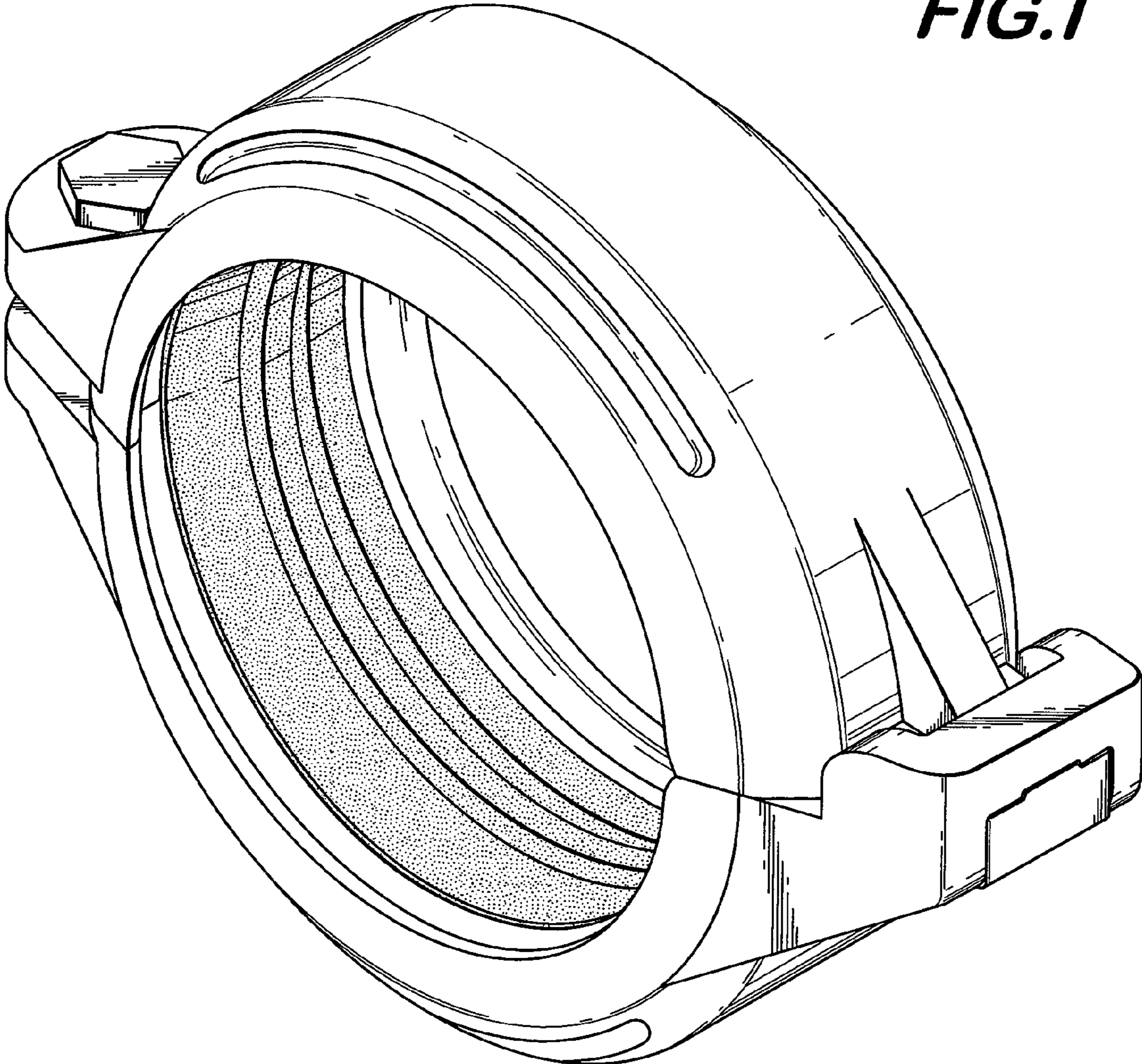


FIG. 1



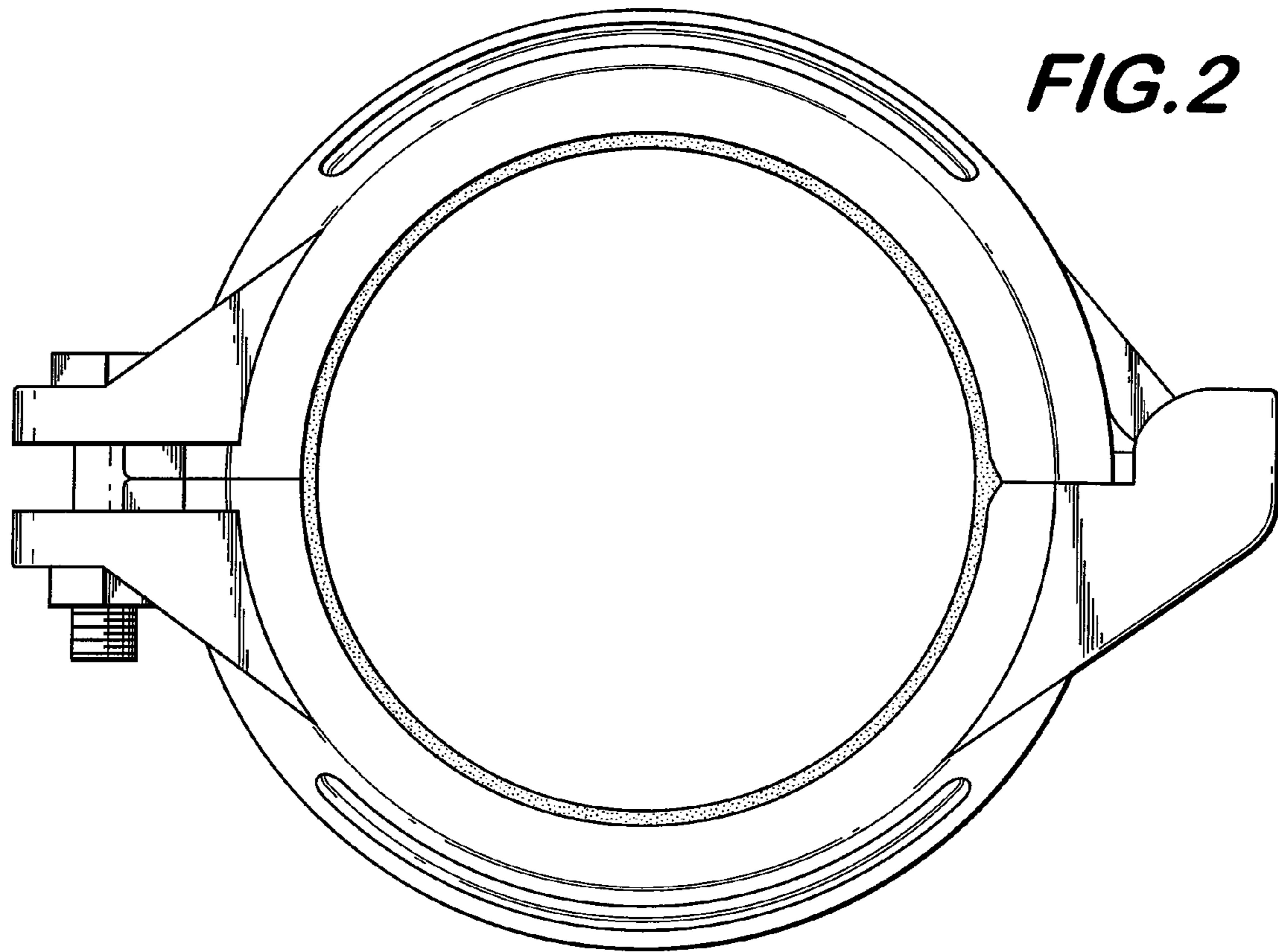


FIG. 2

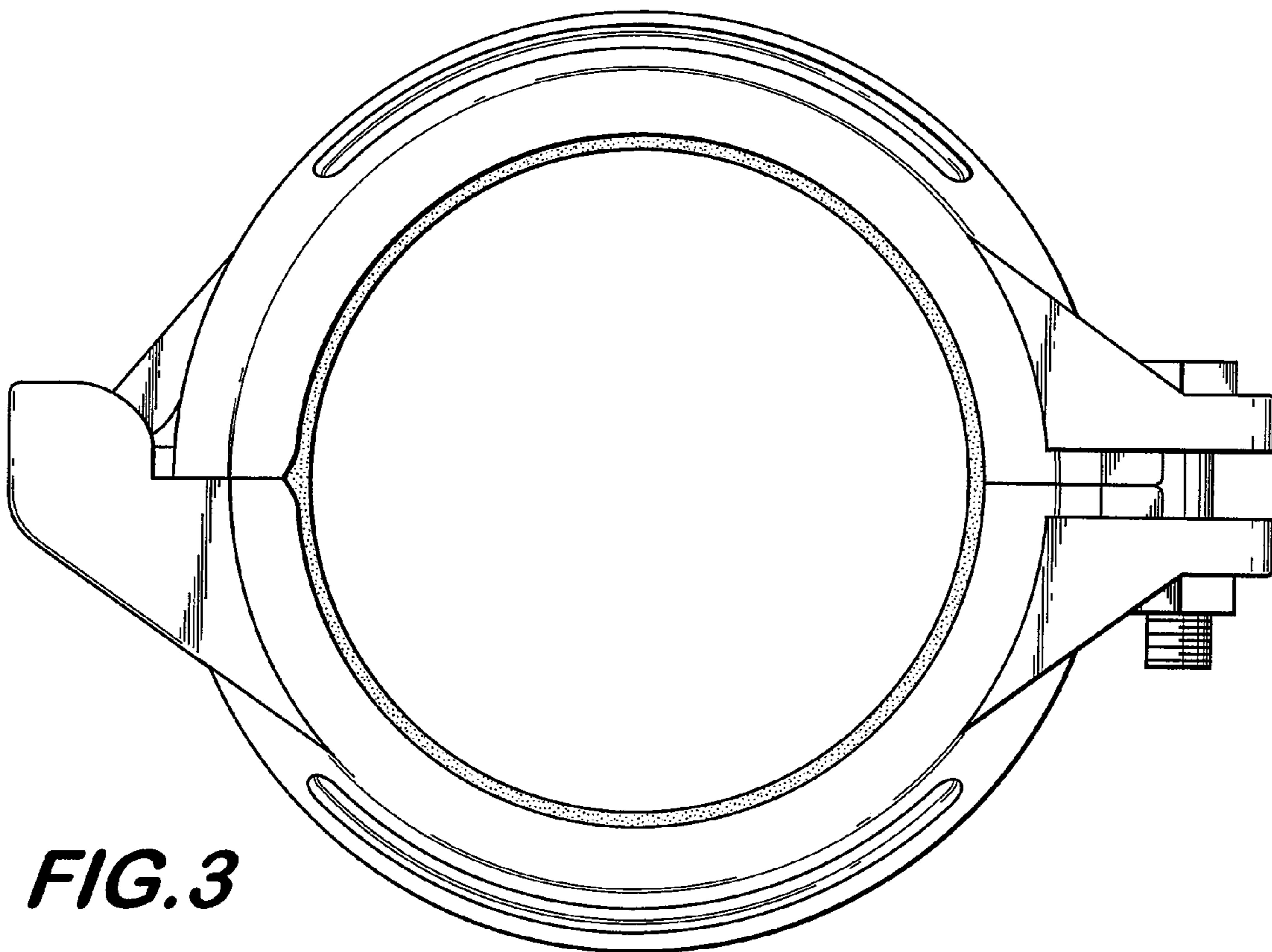


FIG. 3

FIG. 4

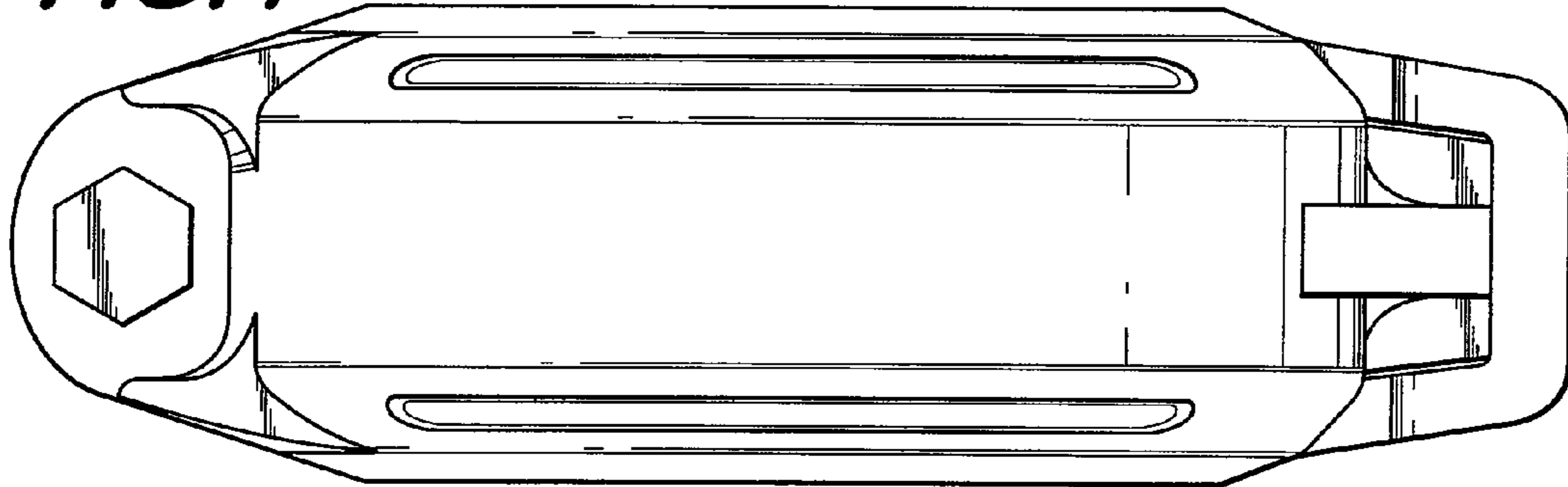


FIG. 5

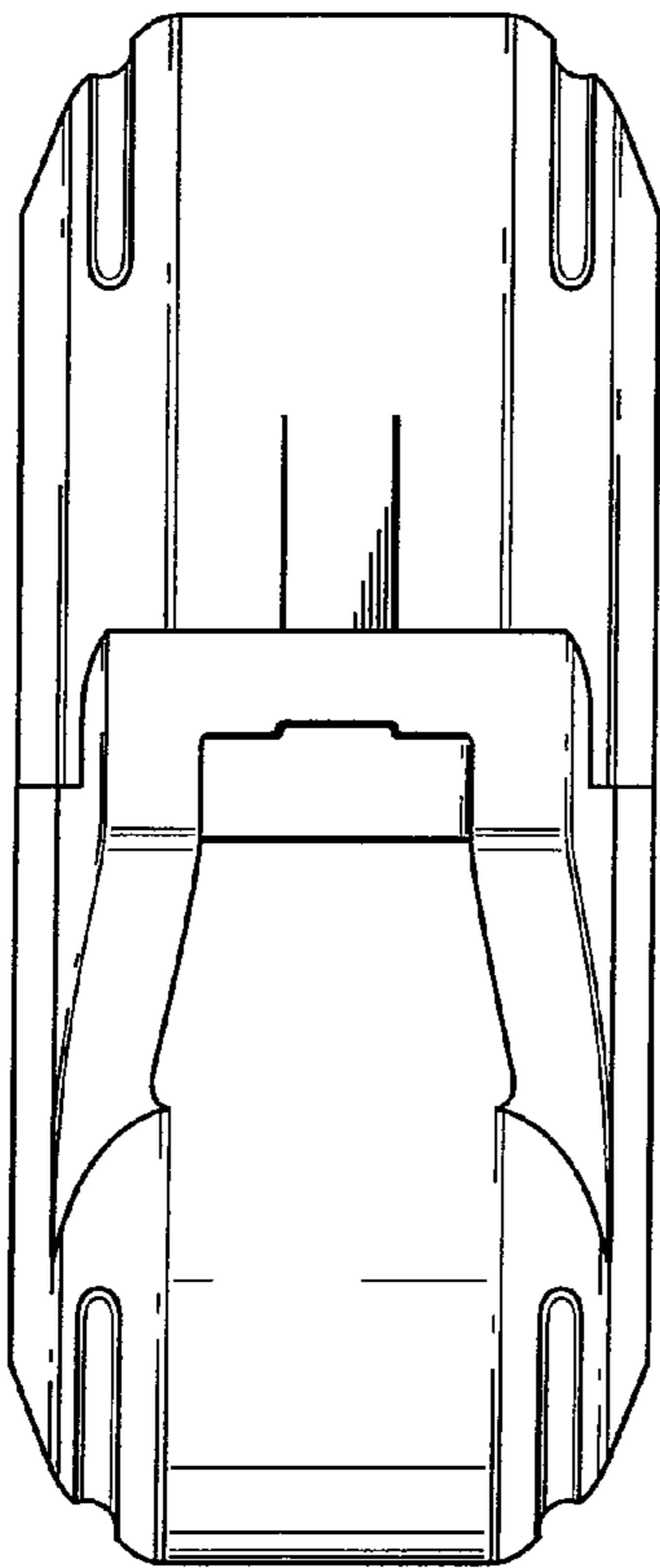
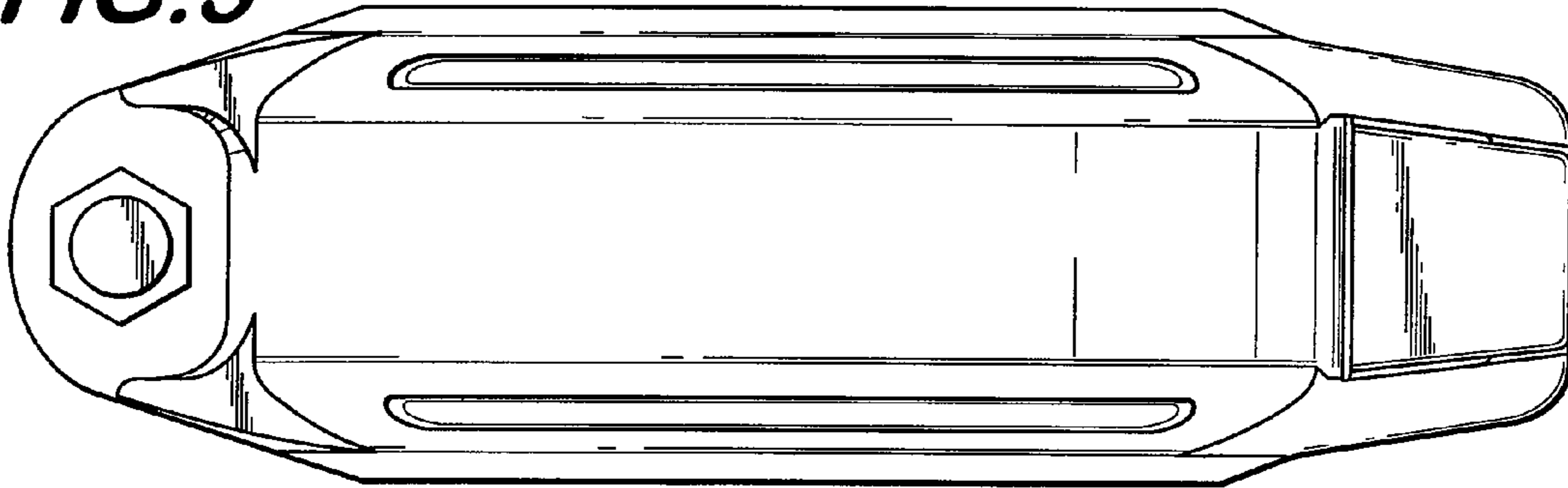


FIG. 6

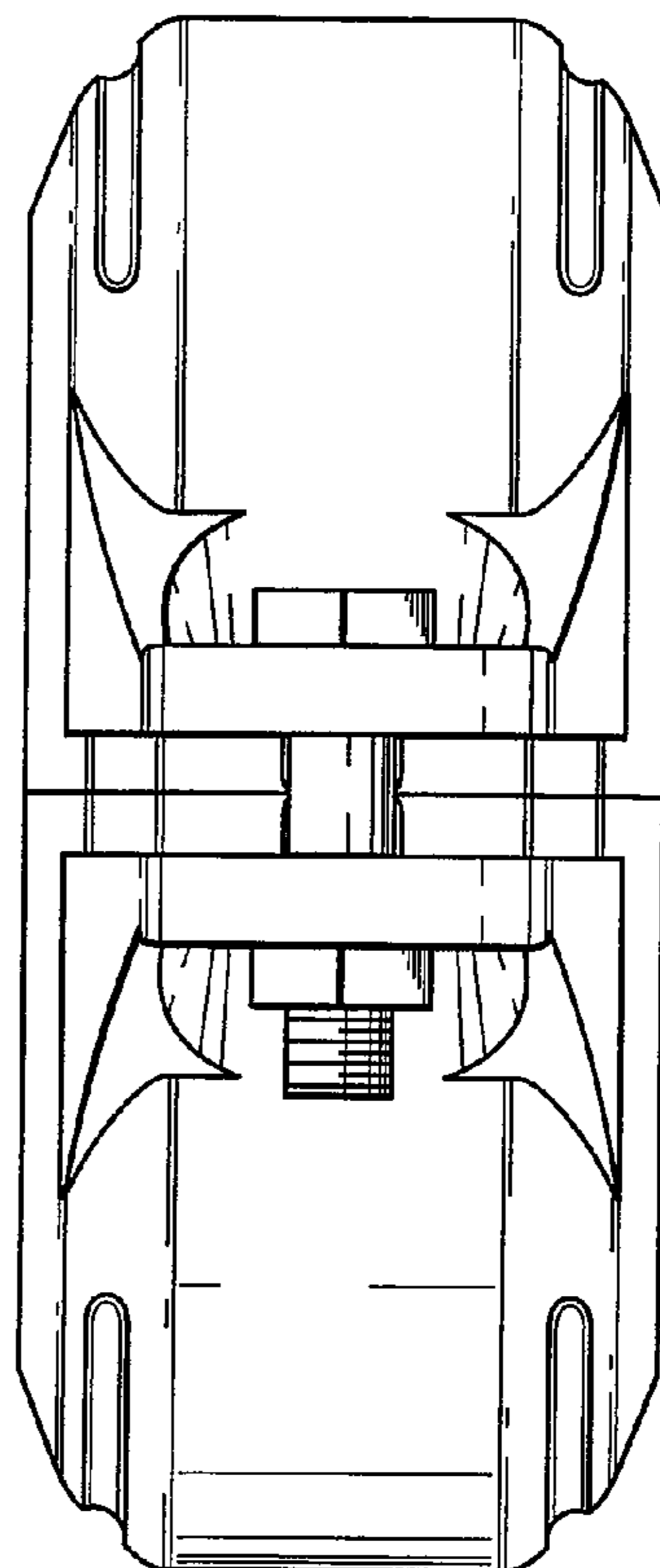


FIG. 7