



US00D597633S

(12) **United States Design Patent**
Kohler, Jr. et al.

(10) **Patent No.:** **US D597,633 S**

(45) **Date of Patent:** **** Aug. 4, 2009**

(54) **PLUMBING CONTROL**

(75) Inventors: **Herbert V. Kohler, Jr.**, Kohler, WI (US);
Duck Young Kong, Watertown, MA
(US)

(73) Assignee: **Kohler France SAS**, Paris (FR)

(**) Term: **14 Years**

(21) Appl. No.: **29/330,962**

(22) Filed: **Jan. 16, 2009**

Related U.S. Application Data

(62) Division of application No. 29/284,144, filed on Aug. 31, 2007, now Pat. No. Des. 585,526.

(51) **LOC (9) Cl.** **23-01**

(52) **U.S. Cl.** **D23/250**

(58) **Field of Classification Search** D23/250,
D23/252-254, 238-243, 244-249, 304; 4/675-678;
D8/300, 307-308; D6/550; 137/801; 16/110.1,
16/441

See application file for complete search history.

(56) **References Cited**

U.S. PATENT DOCUMENTS

D272,642 S	2/1984	Fabian
D299,851 S	2/1989	Rademacher
D312,119 S	11/1990	Bergmann
D351,456 S	10/1994	Paul
D421,293 S	2/2000	Mullenmeister
D526,186 S	8/2006	Haug et al.
D532,084 S	11/2006	Toyohara
D540,916 S	4/2007	Toyohara

FOREIGN PATENT DOCUMENTS

DE	054015	8/2000
EP	000278569-0006	3/2005
EP	000300819-0008	5/2005

OTHER PUBLICATIONS

Jacob Delafon. "Ultima & Ginko faucet". Model No. E71899. Jacob Delafon online catalog. Dated located Jun. 22, 2007.

PSCBATH. "Nevobad Line—Sidney Faucet serie". HomePortfolio.com online catalog. Copyright 1997-2007 HomePortfolio Inc.

Kohler Co. "Stillness single-function showerhead". Model No. K-967. Kohler Co. online catalog. Copyright 2007 Kohler Co.

Signature Hardware. "Colebrook Premium Shower Arm with Flange". SignatureHardware.com online catalog. Copyright 1999-2007 Signaturehardware.com or its affiliates.

FIMA (Carlo Frattini) Rubinetterie. "Spillo". Model No. 3241. FIMA (Carlo Frattini) Rubinetterie online catalog. Earliest date known Dec. 17, 2004.

Kohler France SAS. Official Action in Russia, corresponding to Application No. 2007503062, filed Sep. 5, 2007.

Primary Examiner—Robert A Delehanty

(74) *Attorney, Agent, or Firm*—Quarles & Brady LLP

(57) **CLAIM**

The ornamental design for a plumbing control, as shown and described.

DESCRIPTION

In a preferred embodiment, the nature of this product is as a plumbing control in the form of a shower and/or bath control and handle therefor.

FIG. 1 is a left, top, front perspective view of a plumbing control according to our new design;

FIG. 2 is a front elevational view thereof;

FIG. 3 is a left side elevational view thereof, the right side elevational view thereof being a mirror image of the left side shown;

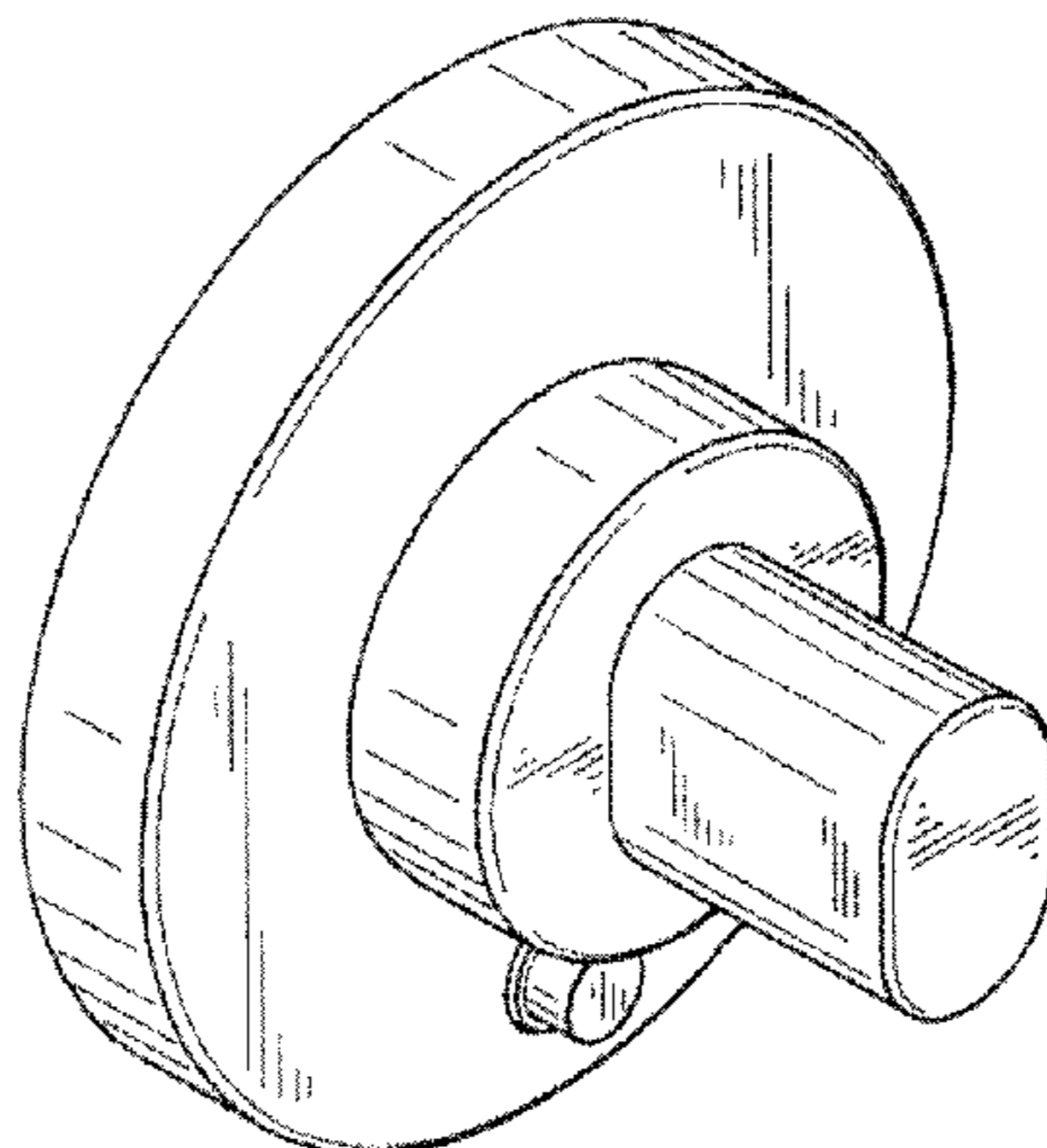
FIG. 4 is a top plan view thereof;

FIG. 5 is a bottom plan view thereof; and,

FIG. 6 is a rear elevational view thereof.

The broken line representations in the figures are for the purpose of illustration only, and form no part of the claimed design.

1 Claim, 3 Drawing Sheets



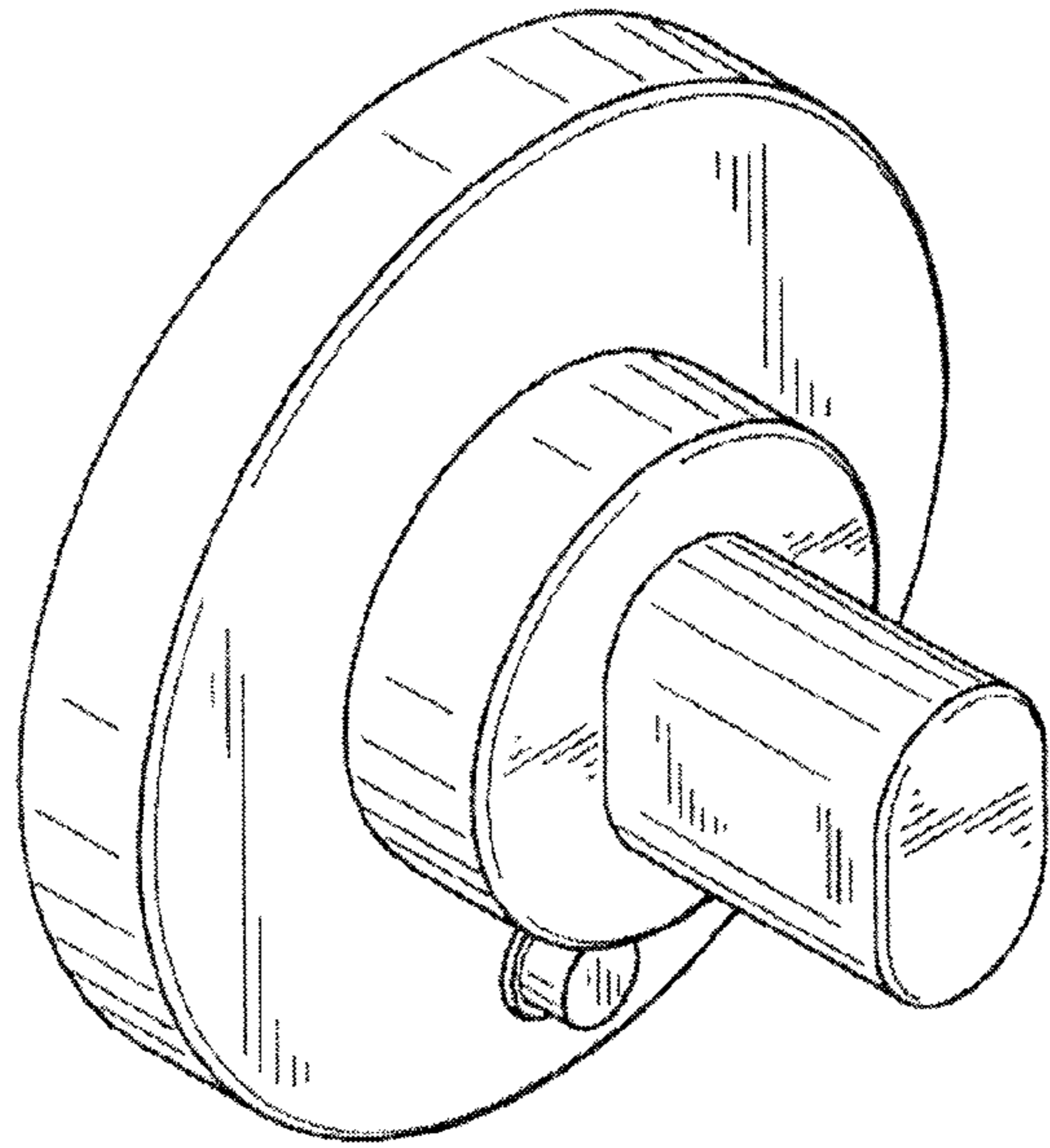


FIG. 1

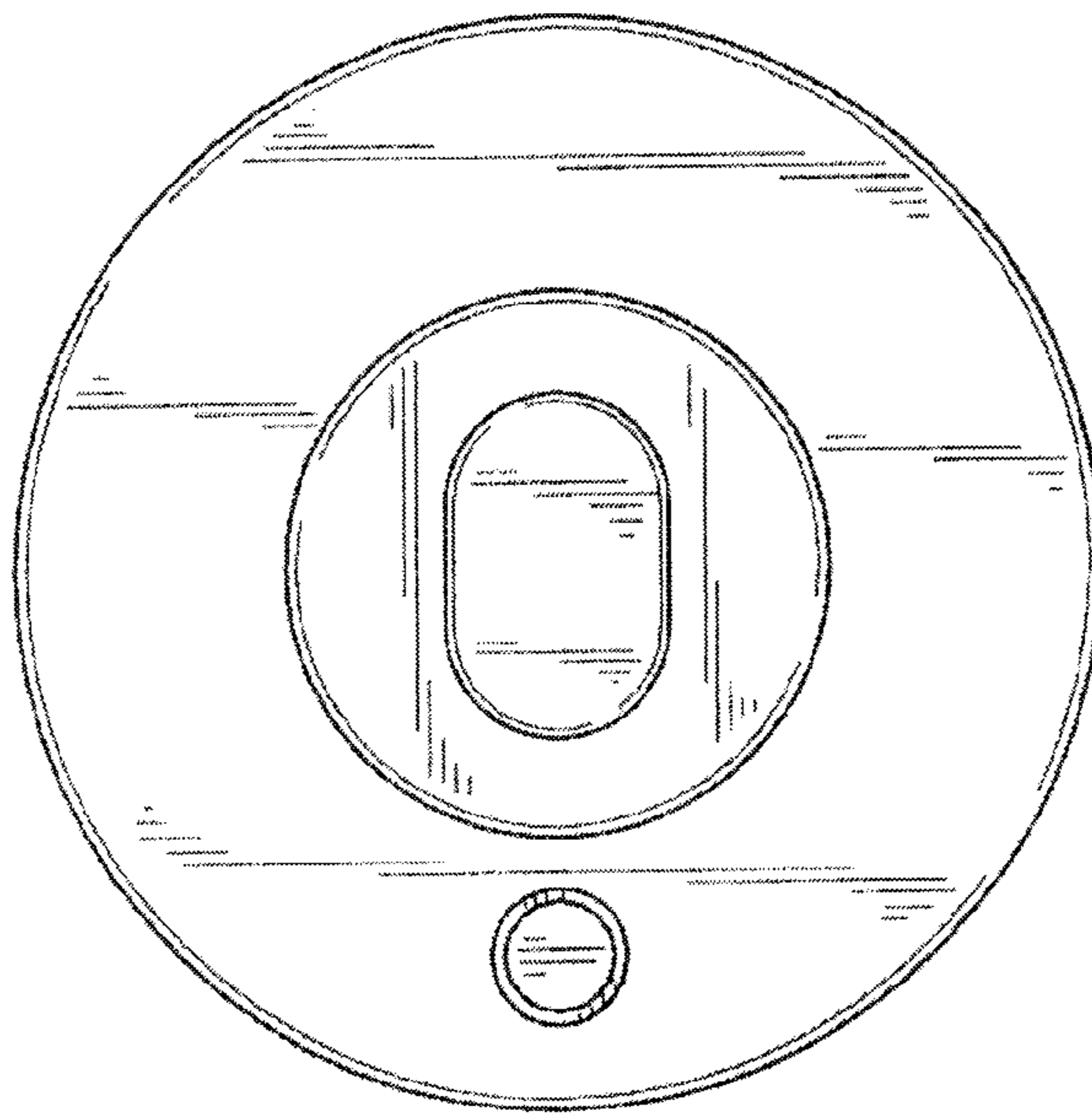


FIG. 2

FIG. 3

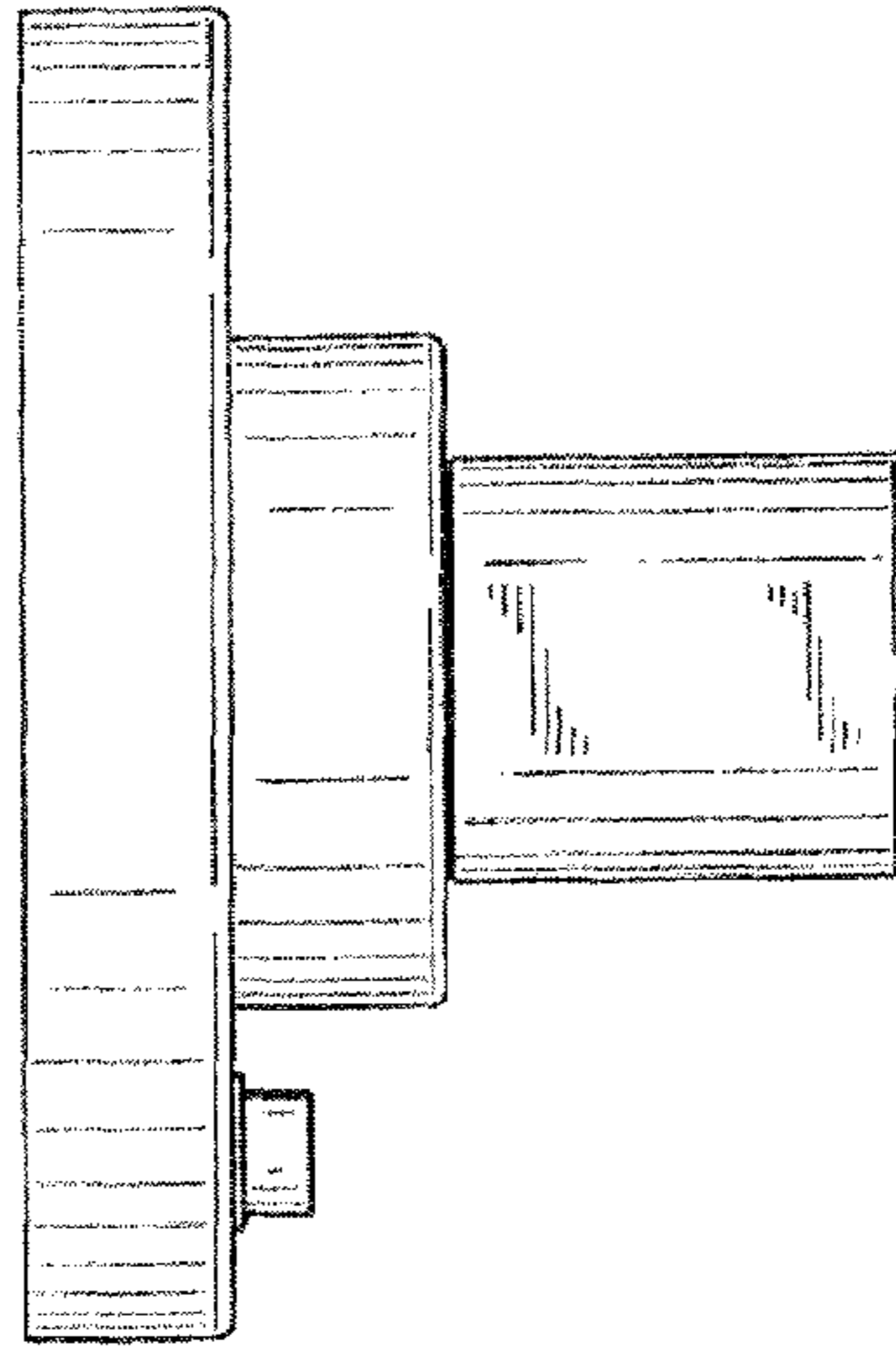


FIG. 4

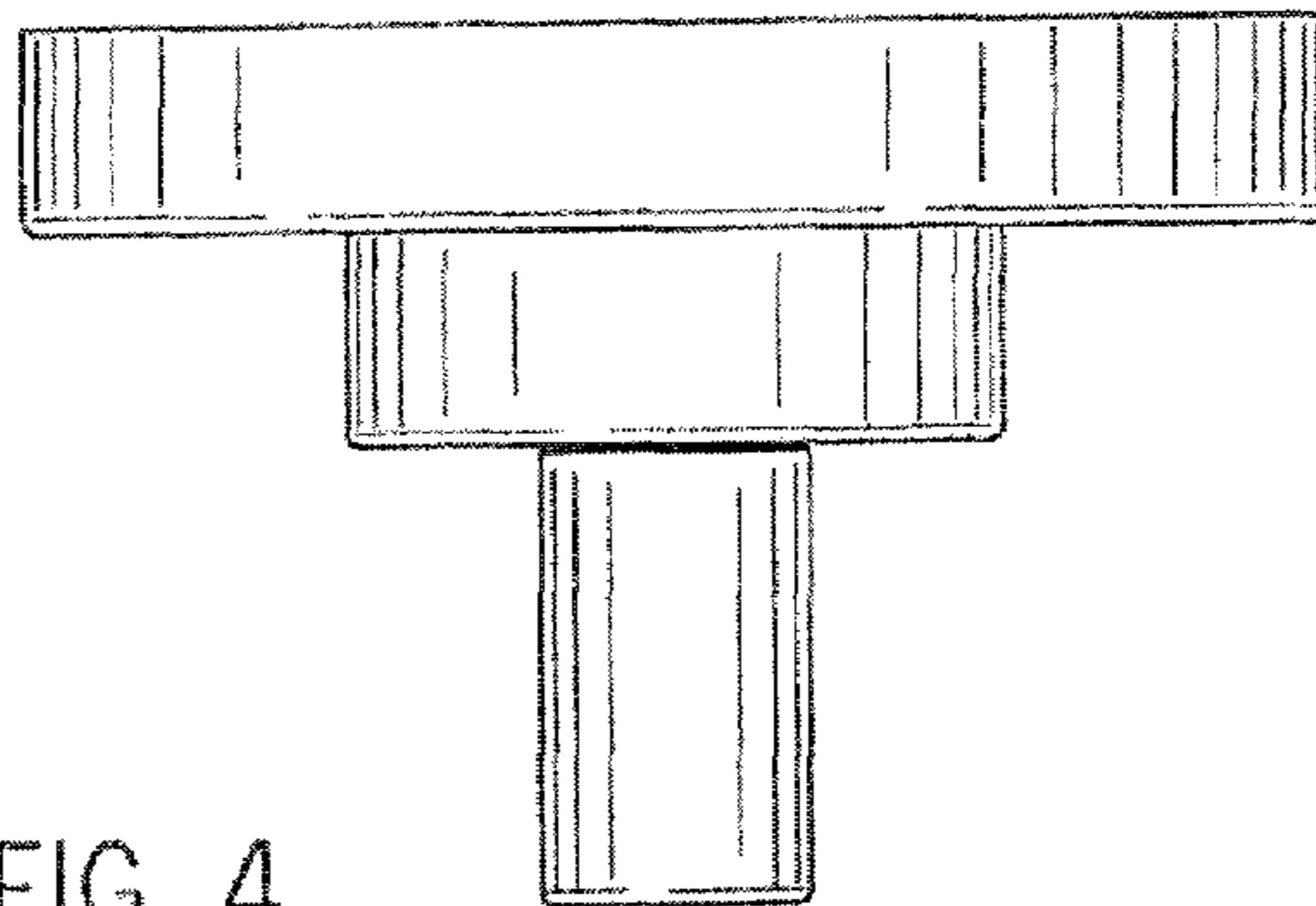


FIG. 5

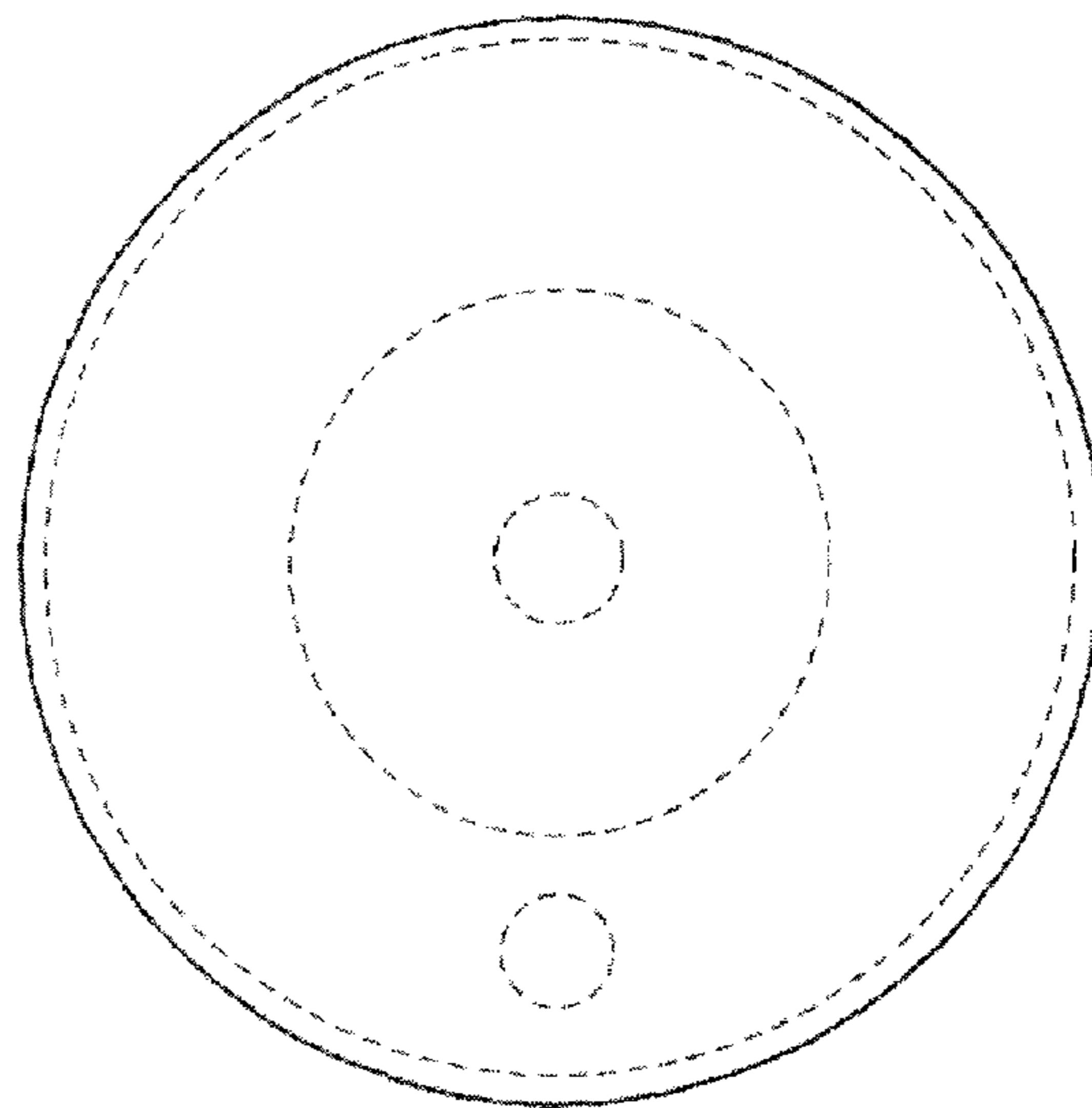
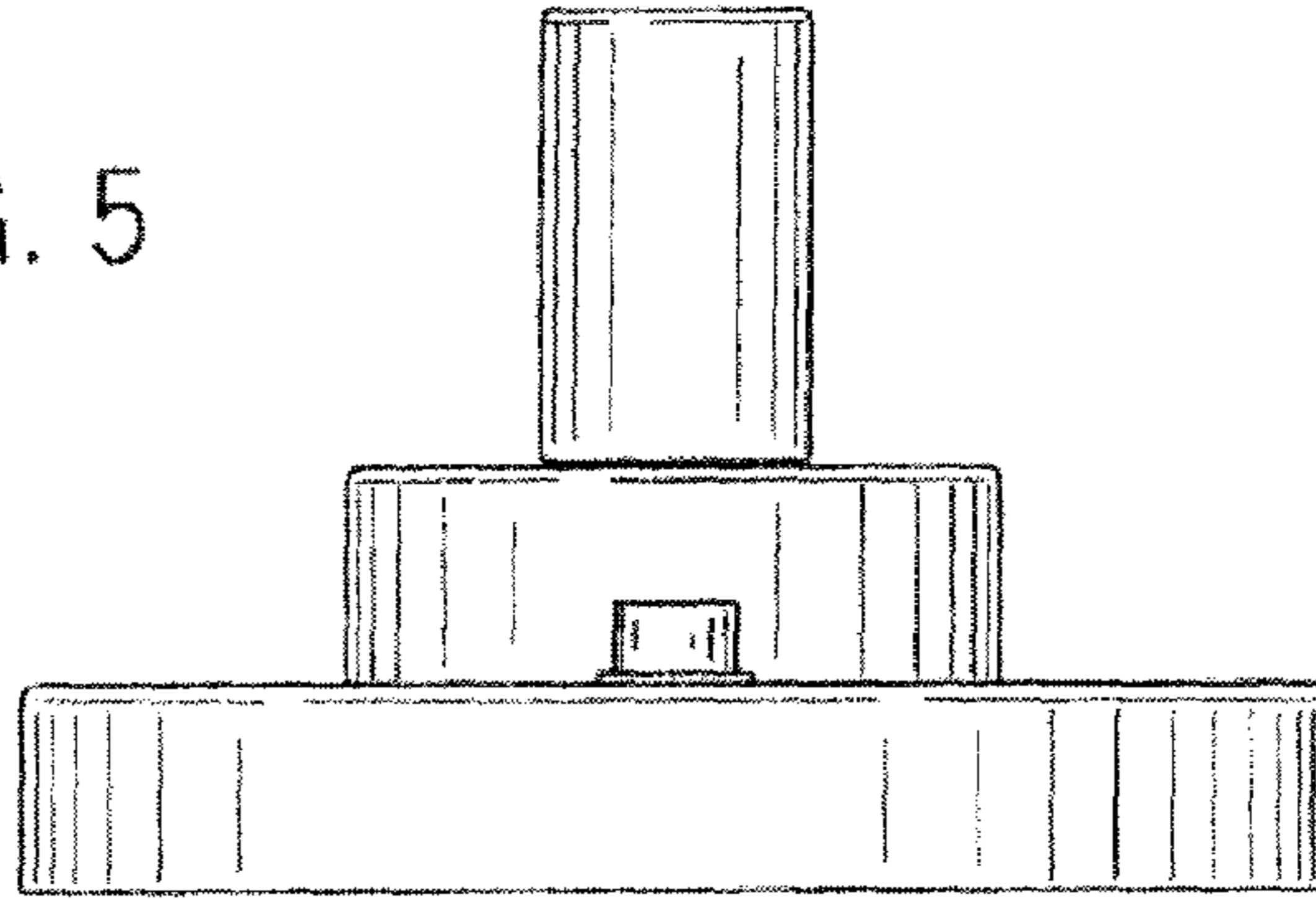


FIG. 6