

US00D597632S

(12) **United States Design Patent**
Obara et al.

(10) **Patent No.:** **US D597,632 S**

(45) **Date of Patent:** **** Aug. 4, 2009**

(54) **FAUCET HANDLE**

(75) Inventors: **Mitsuya Obara**, Kitakyusyu (JP);
Masafumi Ishikawa, Kitakyusyu (JP)

(73) Assignee: **Toto, Ltd.**, Kitakyusyu-shi (JP)

(**) Term: **14 Years**

(21) Appl. No.: **29/329,571**

(22) Filed: **Dec. 17, 2008**

(30) **Foreign Application Priority Data**

Oct. 6, 2008 (JP) 2008-025581

(51) **LOC (9) Cl.** **23-01**

(52) **U.S. Cl.** **D23/250; D8/300; D8/310**

(58) **Field of Classification Search** D23/200,
D23/238-257; D6/512, 546, 550; D8/300,
D8/306-308, 310-312, 321, DIG. 2, DIG. 3;
4/675-678; 137/801; 16/110.1, 441

See application file for complete search history.

(56) **References Cited**

U.S. PATENT DOCUMENTS

D291,824 S * 9/1987 Lathrop D23/254
D299,160 S * 12/1988 Lathrop D23/252
D306,336 S * 2/1990 Oberdorfer D23/252
D327,834 S * 7/1992 Reid D8/310
D344,786 S * 3/1994 Short et al. D23/252
D419,218 S * 1/2000 Mullenmeister D23/238
D446,287 S * 8/2001 Fleischmann D23/250
D463,726 S * 10/2002 Becker D8/306
D463,727 S * 10/2002 Becker D8/306

D467,489 S * 12/2002 Rubinson D8/310
D483,439 S * 12/2003 Thomas D23/250
D511,290 S * 11/2005 Coudurier D8/310
D526,052 S * 8/2006 Lord D23/252
D540,436 S * 4/2007 Massaud D23/250
D541,909 S * 5/2007 Schonherr et al. D23/252

* cited by examiner

Primary Examiner—Robert A. Delehanty

Assistant Examiner—Mark Cavanna

(74) *Attorney, Agent, or Firm*—Birch, Stewart, Kolasch & Birch, LLP

(57) **CLAIM**

The ornamental design for a faucet handle, as shown and described.

DESCRIPTION

FIG. 1 is a perspective view of the top, front and right side of a faucet handle showing our new design;

FIG. 2 is a top plan view thereof;

FIG. 3 is a front view thereof, rear view being identical thereto;

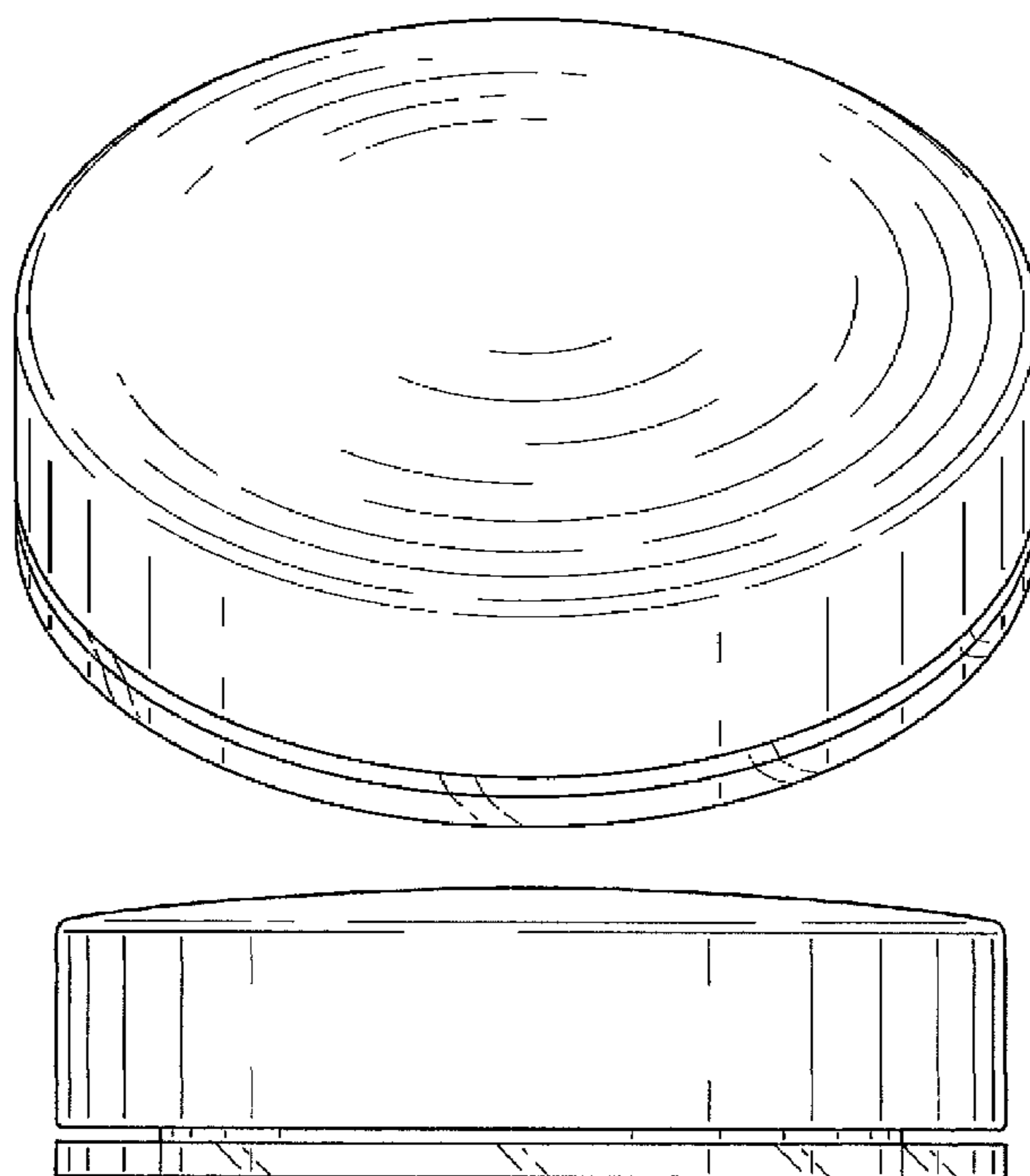
FIG. 4 is a bottom view thereof;

FIG. 5 is a right side view thereof, left side view being identical thereto; and,

FIG. 6 is a perspective reference view of usage thereof.

The broken lines shown in the circular area on the bottom of the faucet handle shown in FIG. 4 is included for the purpose of illustrating a portion of the faucet handle that forms no part of the claimed design.

1 Claim, 3 Drawing Sheets



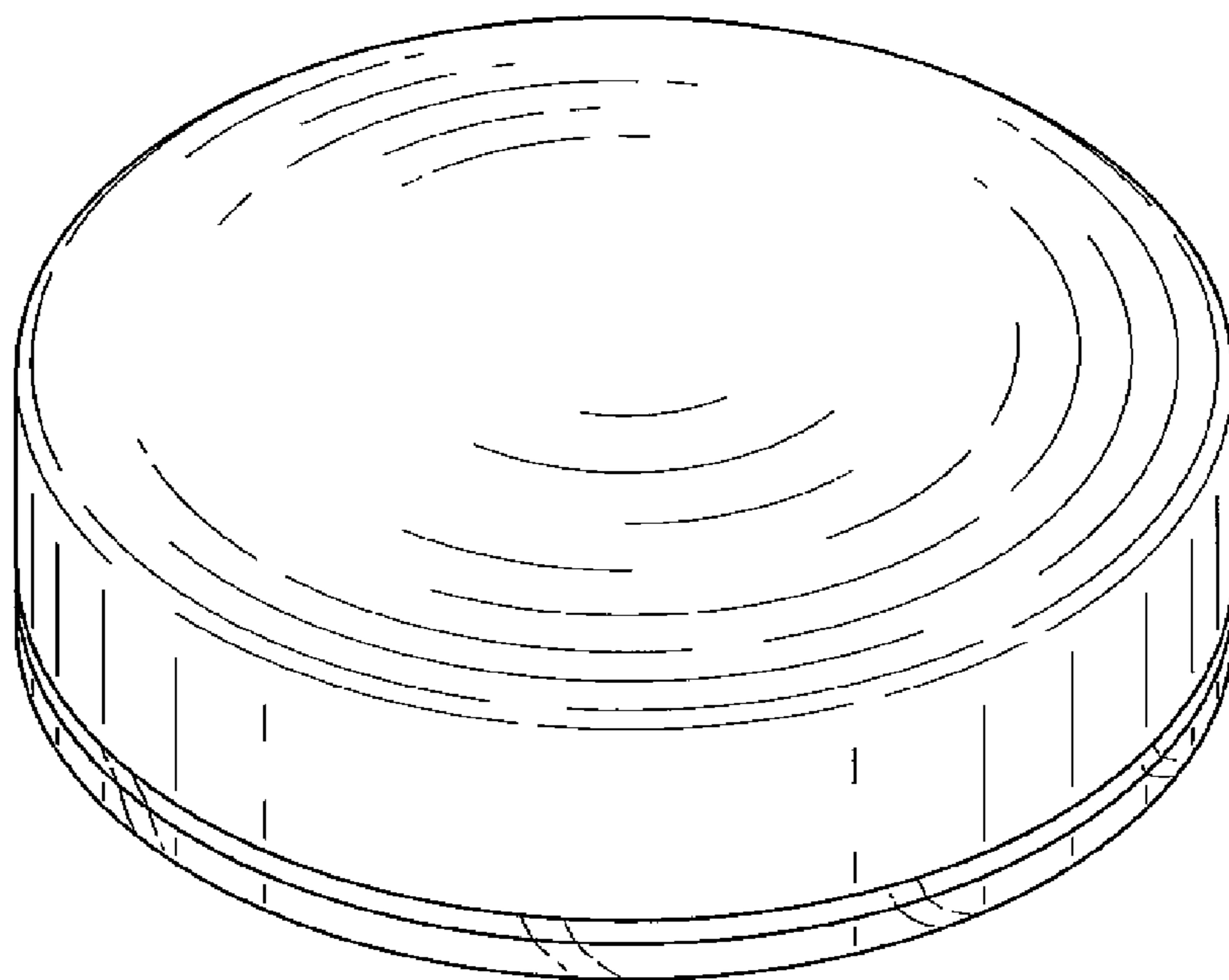


FIG. 1

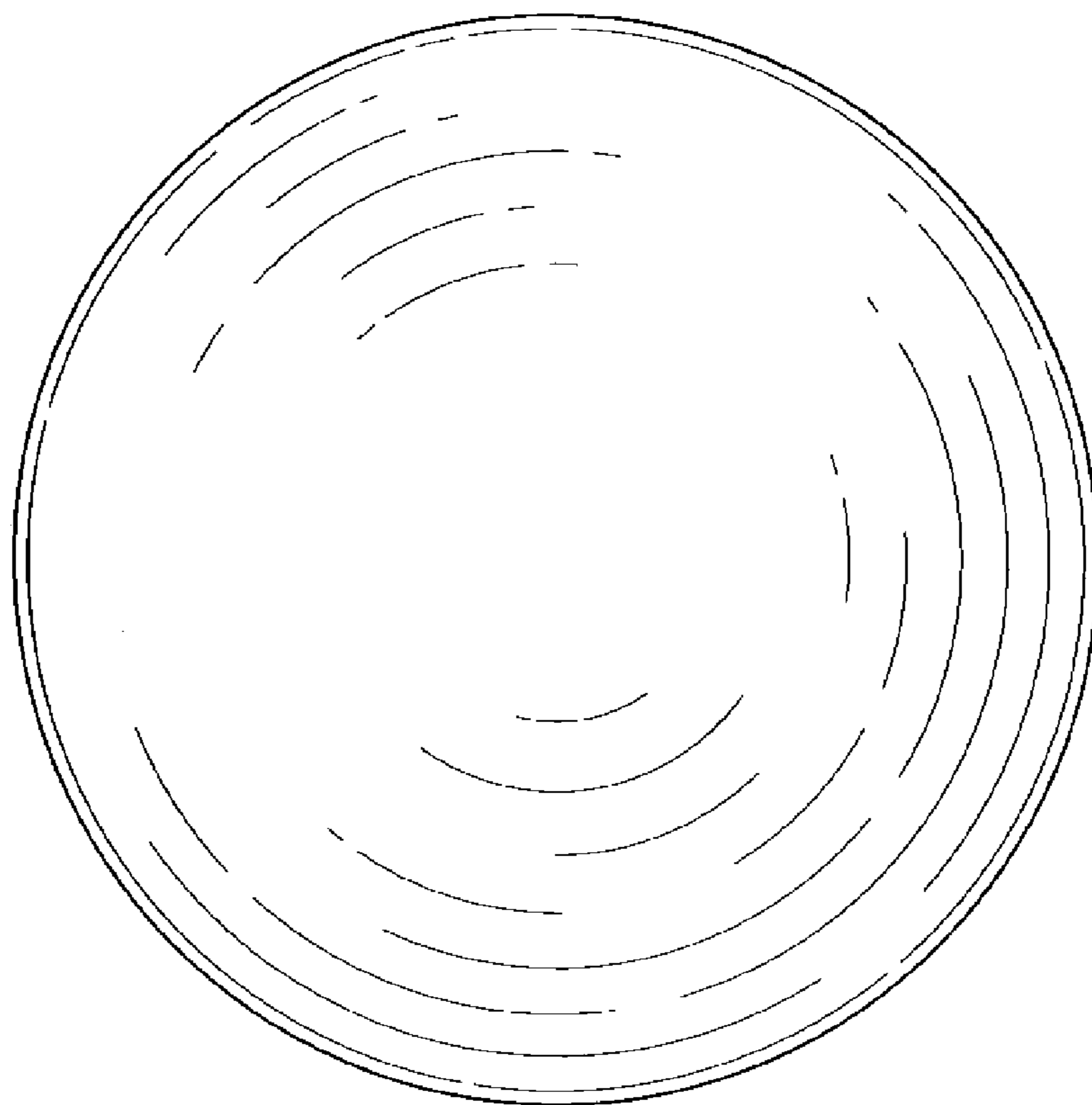


FIG. 2

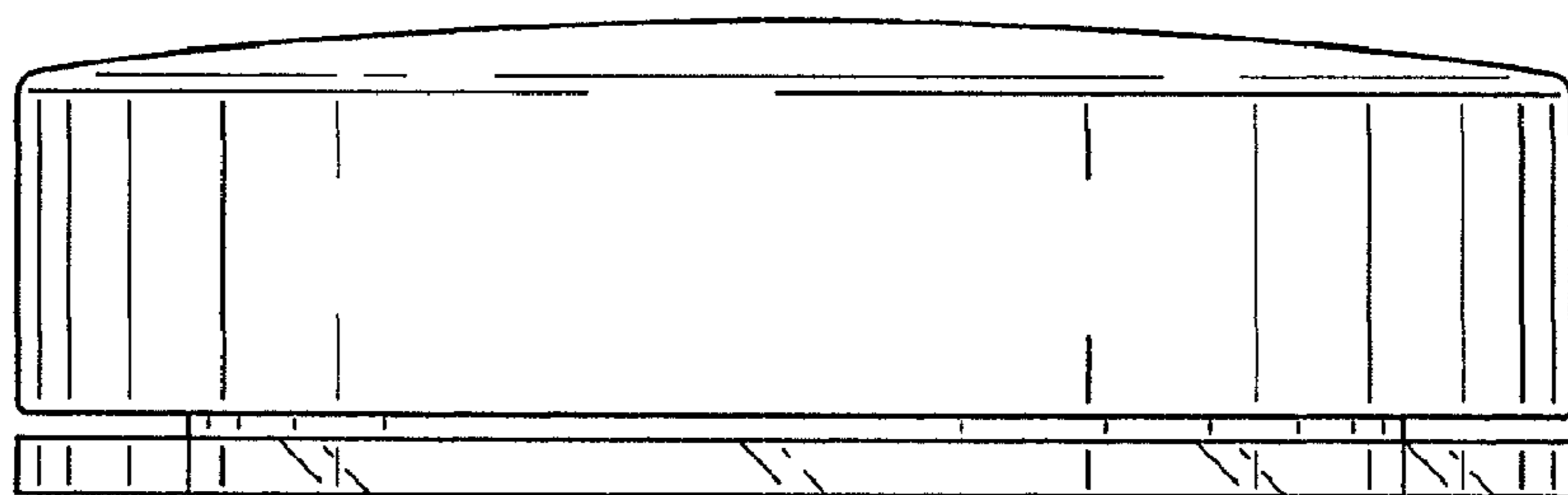


FIG. 3

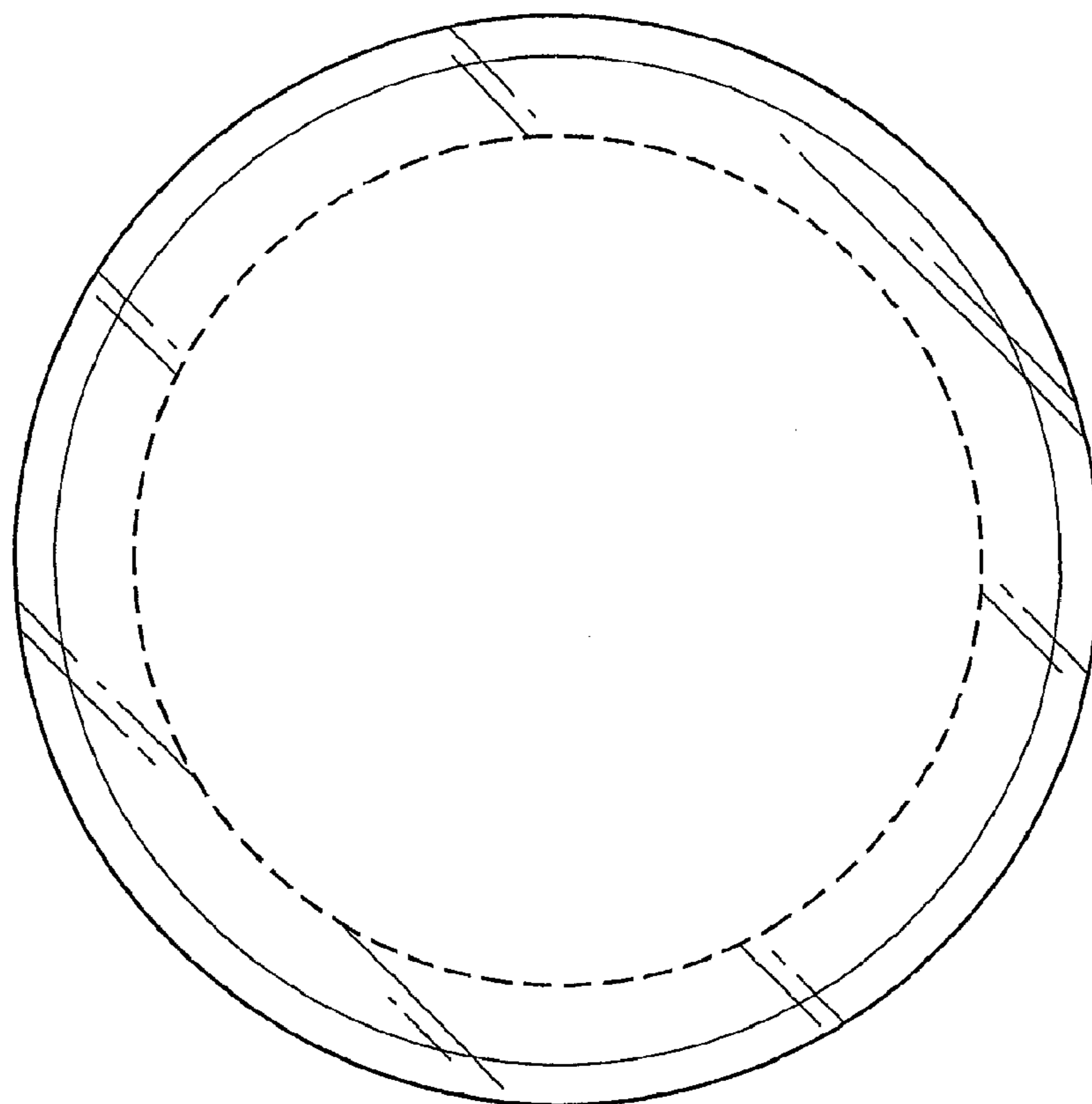


FIG. 4

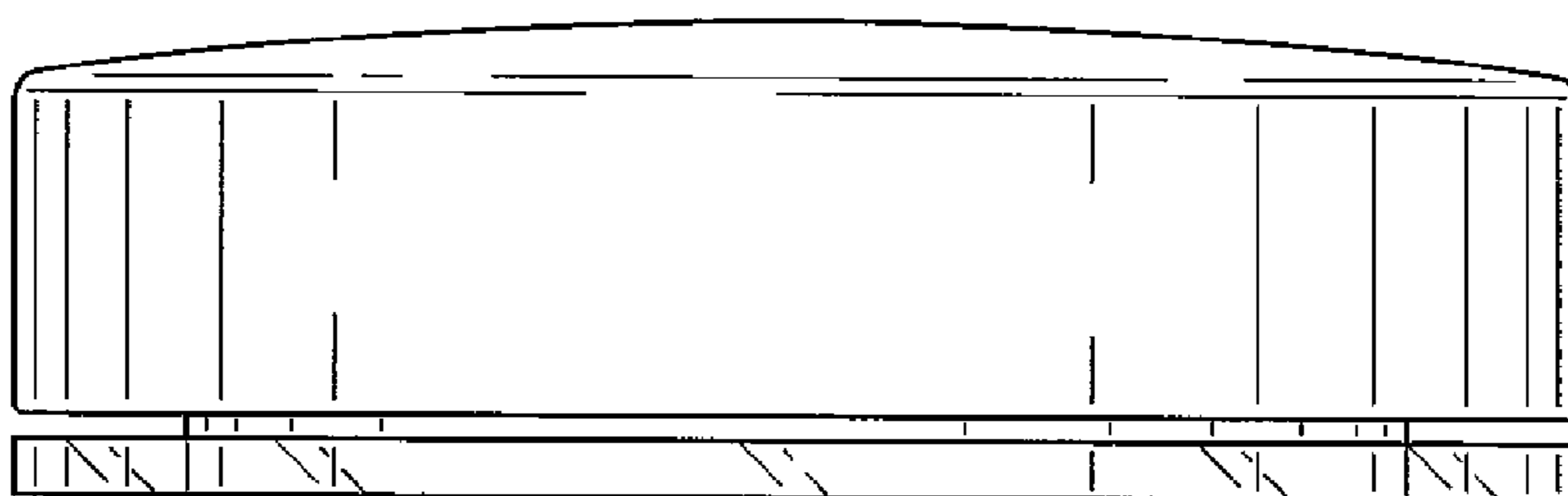


FIG. 5

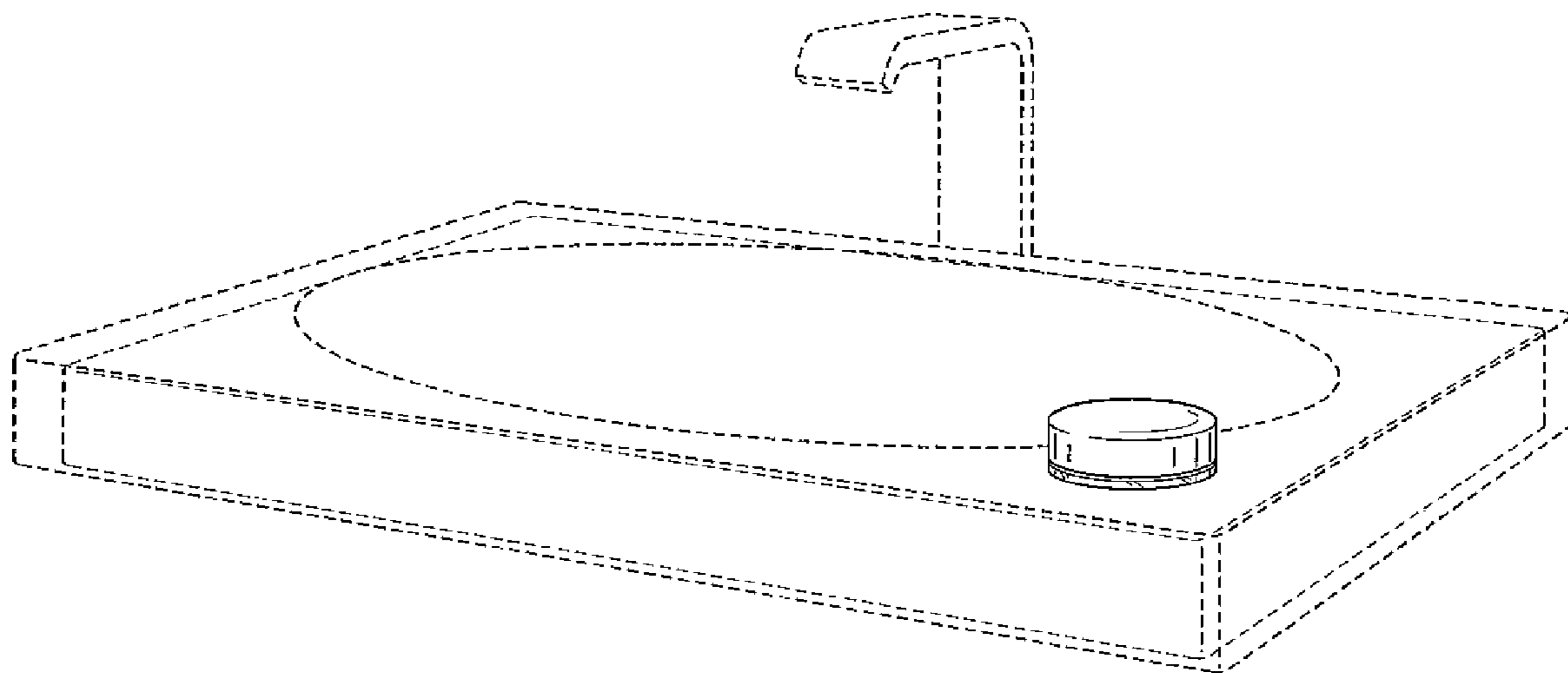


FIG. 6