



US00D597630S

(12) **United States Design Patent**
Easton

(10) **Patent No.:** **US D597,630 S**
(45) **Date of Patent:** **** Aug. 4, 2009**

(54) **ENVIRONMENTAL COMPRESSOR PROTECTION ASSEMBLY**

(76) **Inventor:** **Michael Easton**, 4306 St. Patrick Dr., Oklahoma City, OK (US) 73120

(**) **Term:** **14 Years**

(21) **Appl. No.:** **29/322,344**

(22) **Filed:** **Aug. 1, 2008**

Related U.S. Application Data

(63) Continuation of application No. 11/867,519, filed on Oct. 4, 2007.

(51) **LOC (9) Cl.** **23-01**

(52) **U.S. Cl.** **D23/233**

(58) **Field of Classification Search** D23/233-237, D23/244-249; 137/515.7, 859, 843, 614.2, 137/218, 107, 217

See application file for complete search history.

(56) **References Cited**

U.S. PATENT DOCUMENTS

4,766,923	A *	8/1988	Roper	137/15.18
D321,928	S *	11/1991	Milo	D23/245
D339,399	S *	9/1993	Lin	D24/110.5
D364,210	S *	11/1995	Loerop et al.	D23/237
D370,963	S *	6/1996	Daansen	D23/235
5,835,372	A *	11/1998	Roys et al.	702/105
D426,617	S *	6/2000	Hansen	D23/237
D432,006	S *	10/2000	Hussaini	D8/397
D470,066	S *	2/2003	Christiansen	D10/103
D496,091	S *	9/2004	Katzman et al.	D23/235
D576,704	S *	9/2008	Gilcher	D23/233
7,445,025	B2 *	11/2008	Shafique et al.	137/614.2
7,458,388	B2 *	12/2008	Huang	137/218

* cited by examiner

Primary Examiner—Ian Simmons

Assistant Examiner—Maurice Stevens

(74) *Attorney, Agent, or Firm*—Scheinberg & Griner, LLP; Michael O. Scheinberg; David Griner

(57) **CLAIM**

I claim the ornamental design for the environmental compressor protection assembly, as shown and described.

DESCRIPTION

FIG. 1 is a perspective view of the environmental compressor protection assembly according to the present design with the compressor sleeve closed.

FIG. 2 is a front view of the environmental compressor protection assembly according to the present design.

FIG. 3 is a back view of the environmental compressor protection assembly according to the present design.

FIG. 4 is a top view of the environmental compressor protection assembly with the compressor sleeve closed.

FIG. 5 is a bottom view of the environmental compressor protection assembly with the compressor sleeve closed.

FIG. 6 is a right side view of the environmental compressor protection assembly with the compressor sleeve closed.

FIG. 7 is a left side view of the environmental compressor protection assembly with the compressor sleeve closed.

FIG. 8 is a perspective view of the environmental compressor protection assembly according to the present design with the compressor sleeve open.

FIG. 9 is a front view of the environmental compressor protection assembly according to the present design.

FIG. 10 is a back view of the environmental compressor protection assembly according to the present design.

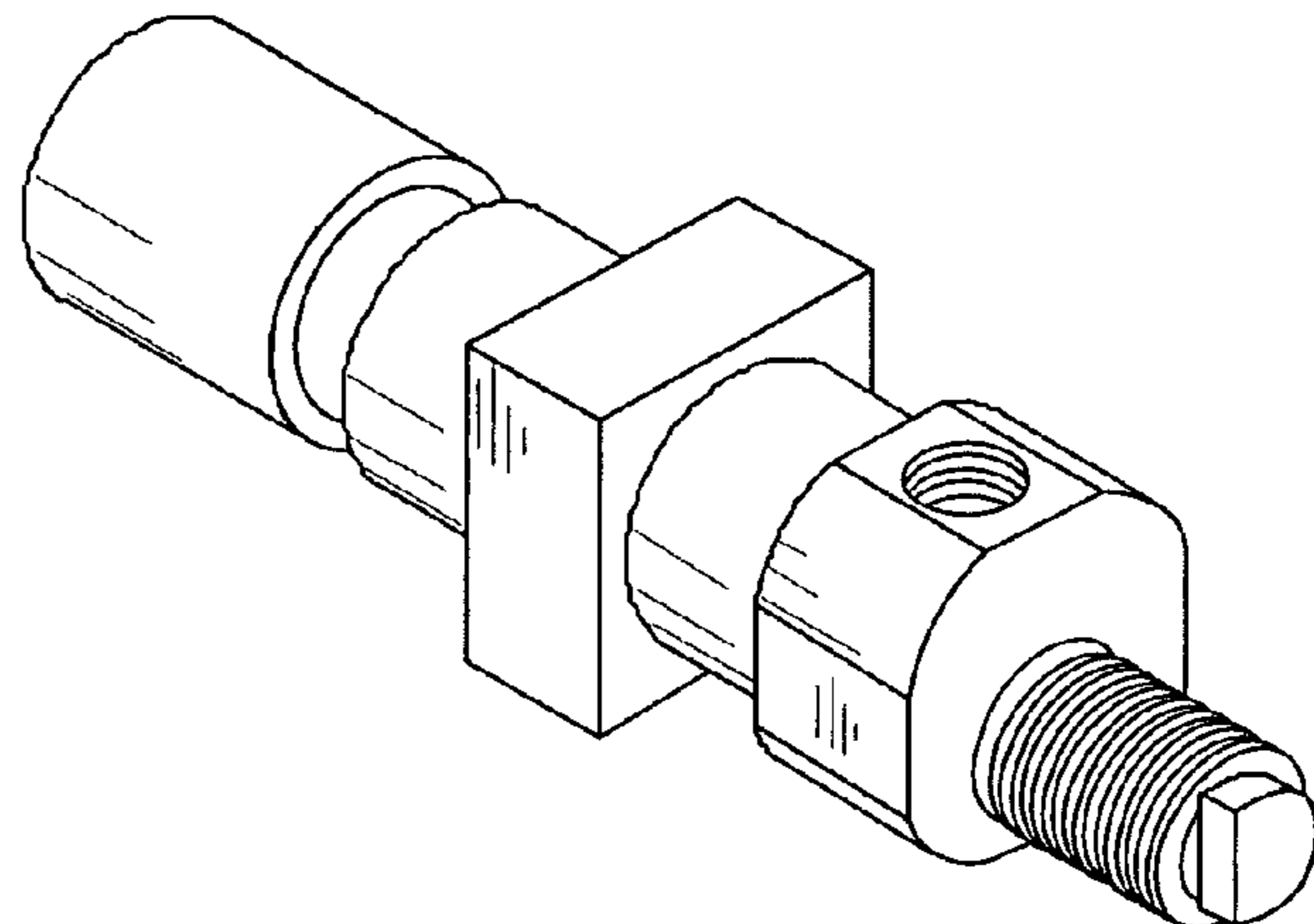
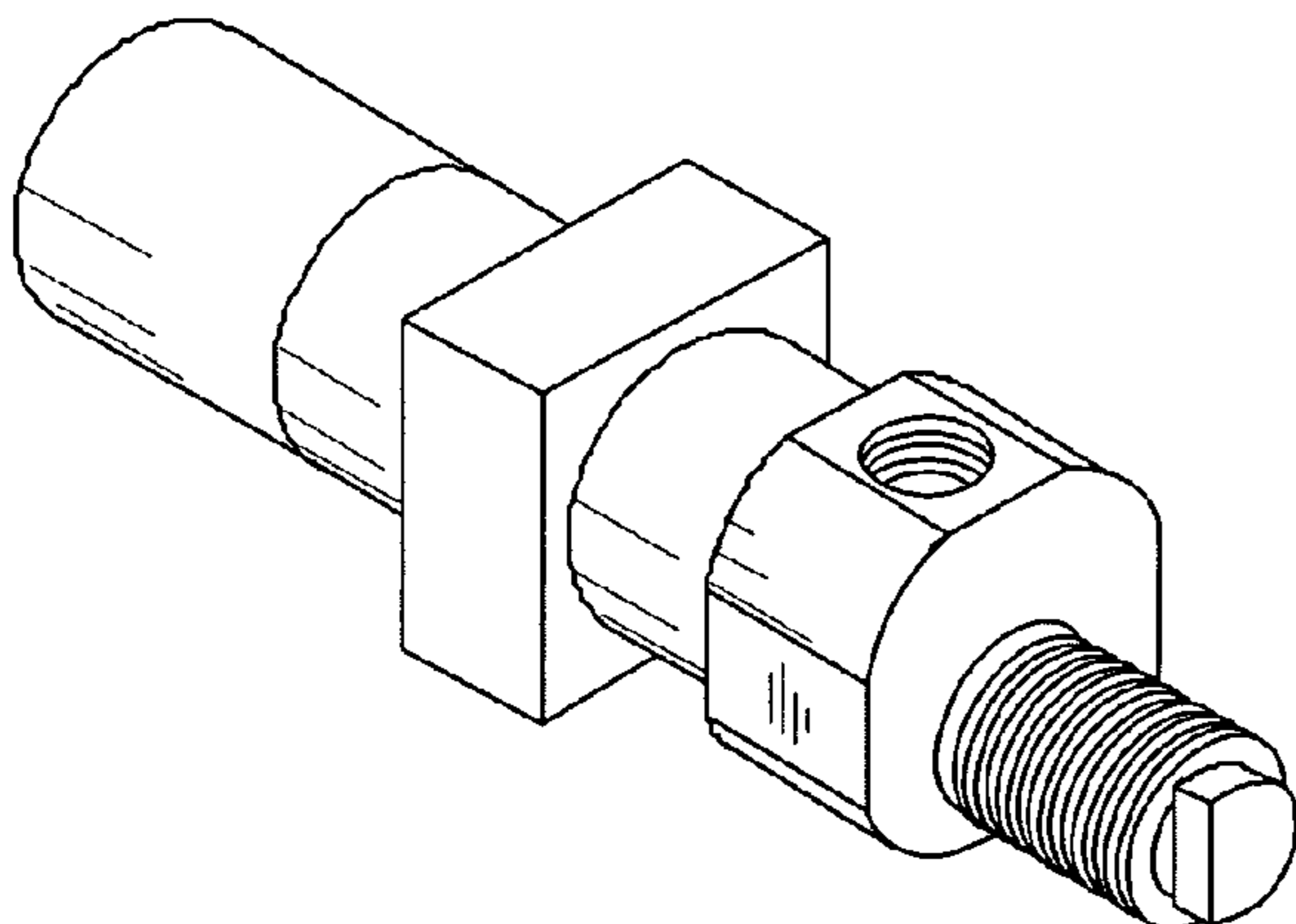
FIG. 11 is a top view of the environmental compressor protection assembly with the compressor sleeve open.

FIG. 12 is a bottom view of the environmental compressor protection assembly with the compressor sleeve open.

FIG. 13 is a right side view of the environmental compressor protection assembly with the compressor sleeve open; and,

FIG. 14 is a left side view of the environmental compressor protection assembly with the compressor sleeve open.

1 Claim, 6 Drawing Sheets



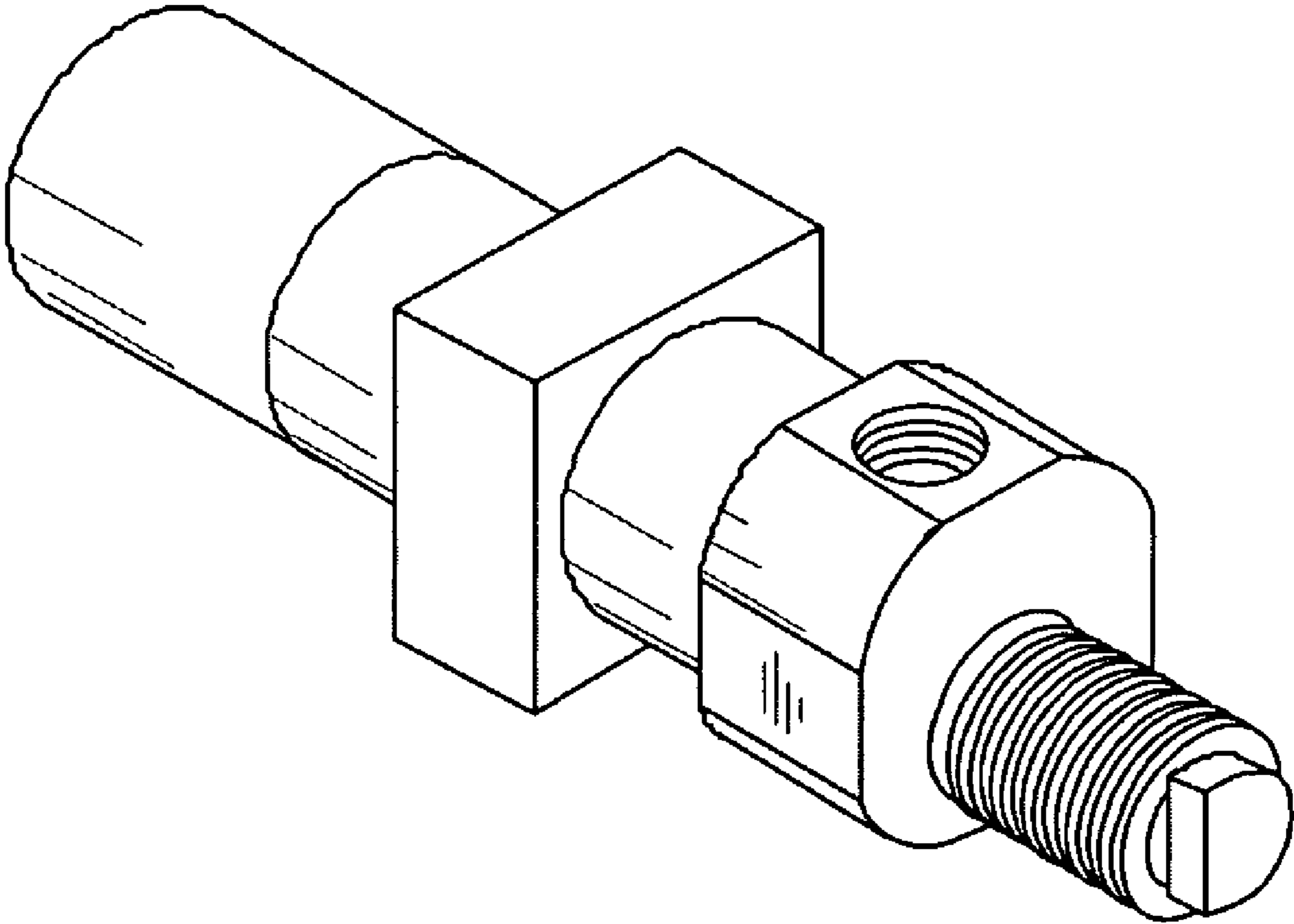


FIG. 1

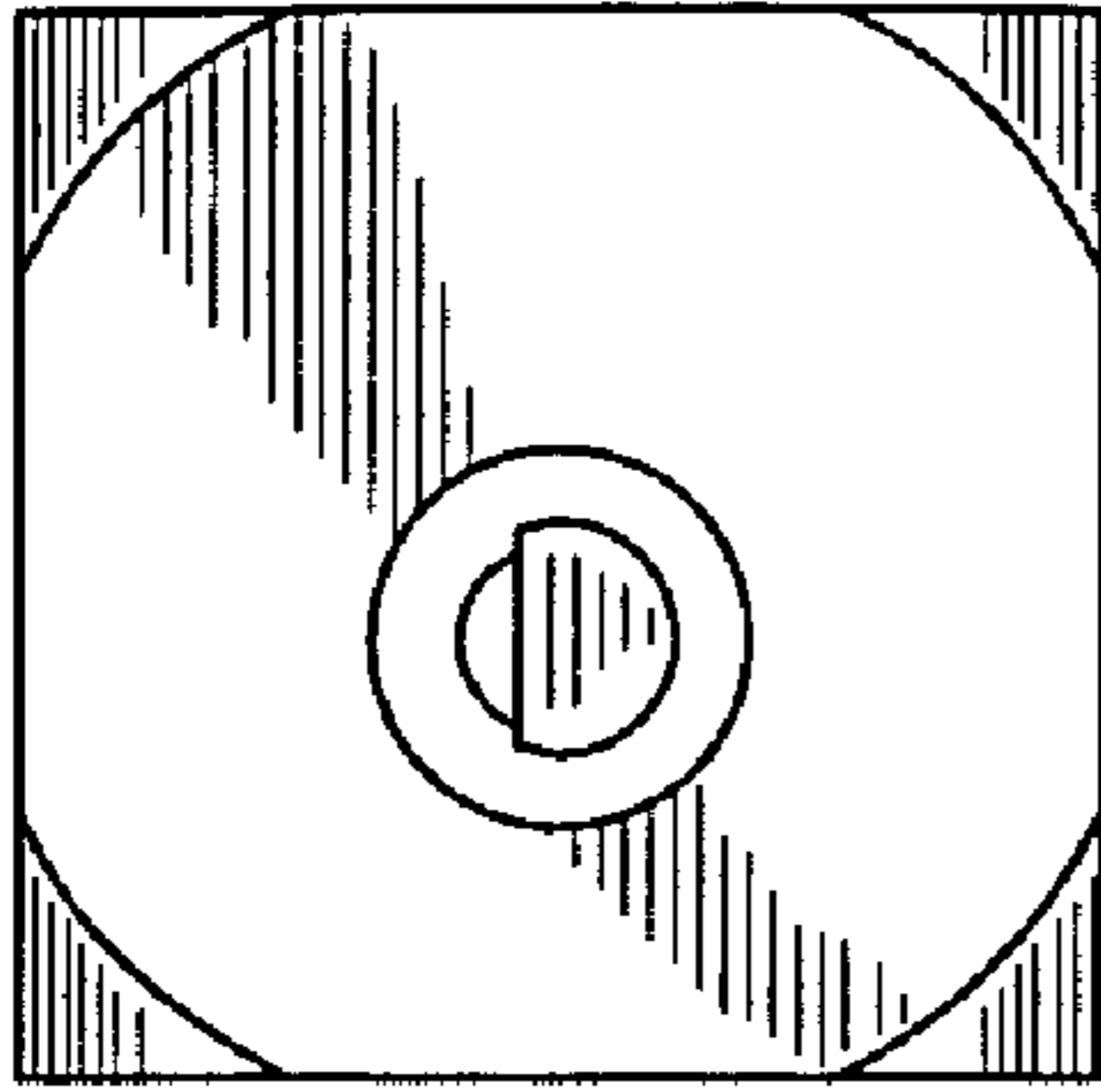


FIG. 2

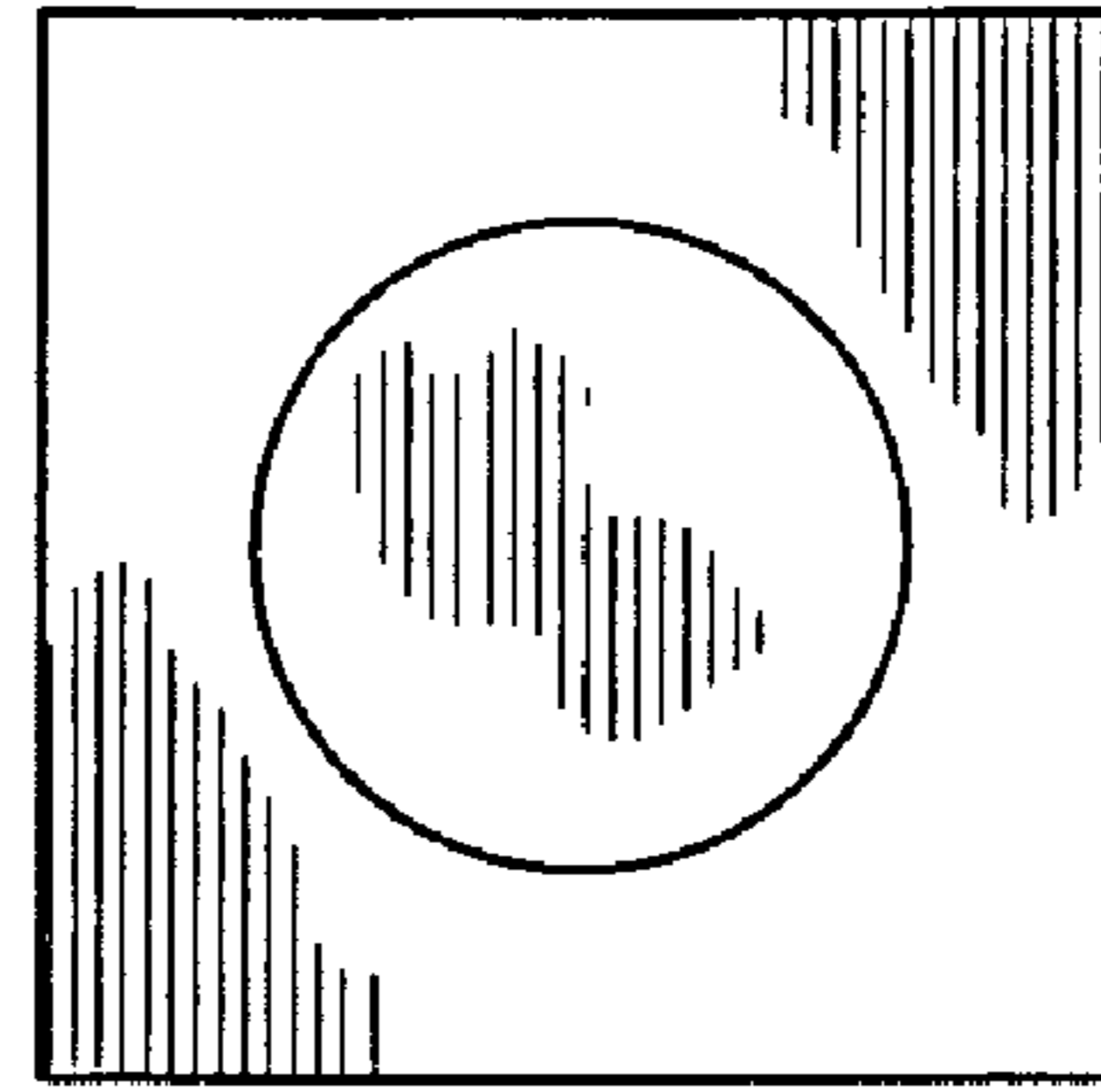


FIG. 3

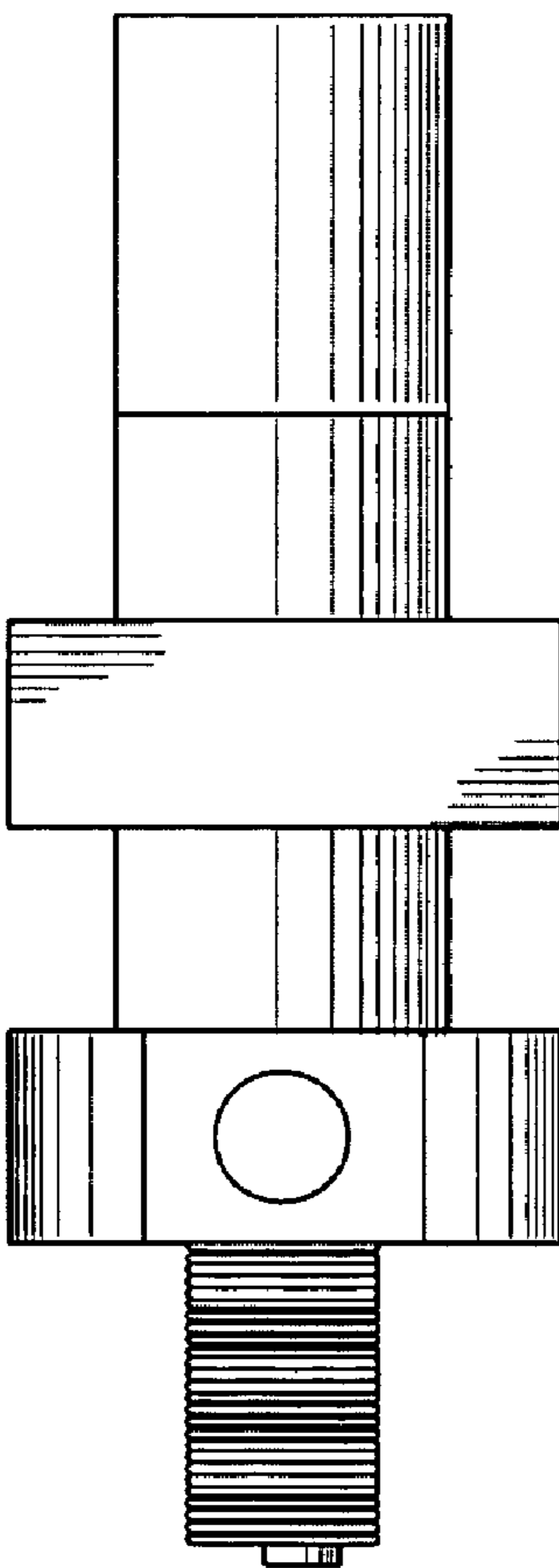


FIG. 4

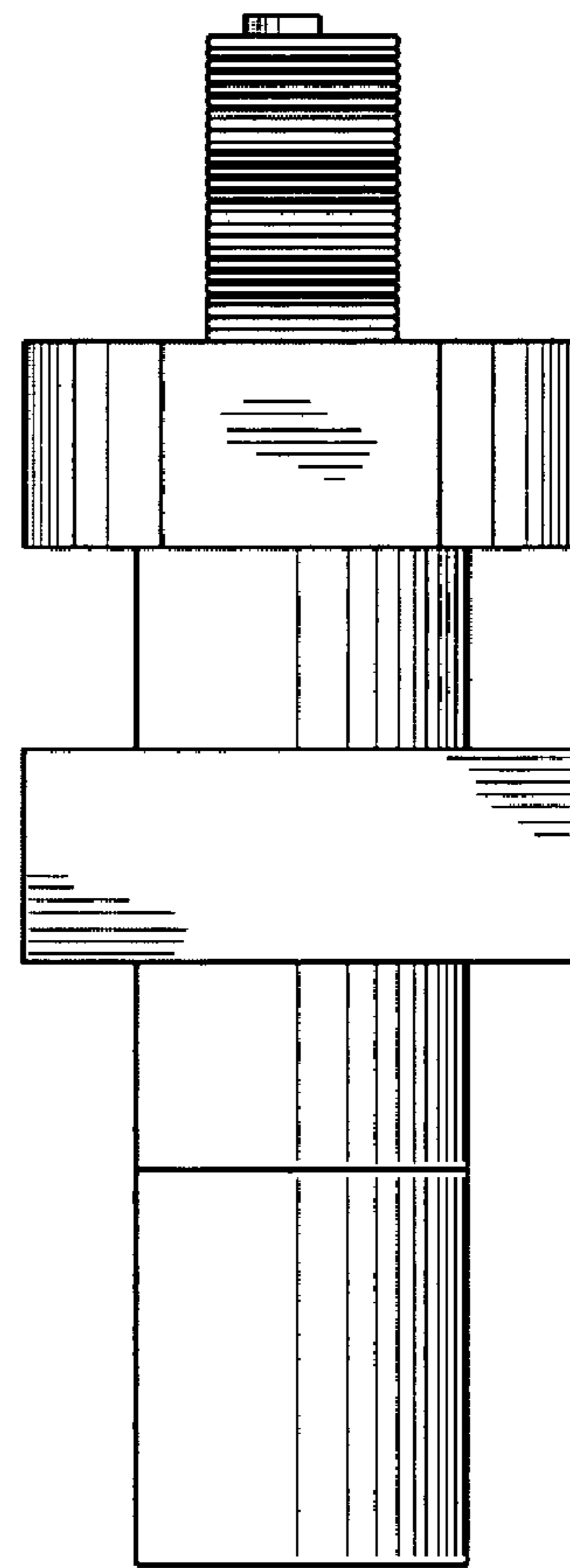


FIG. 5

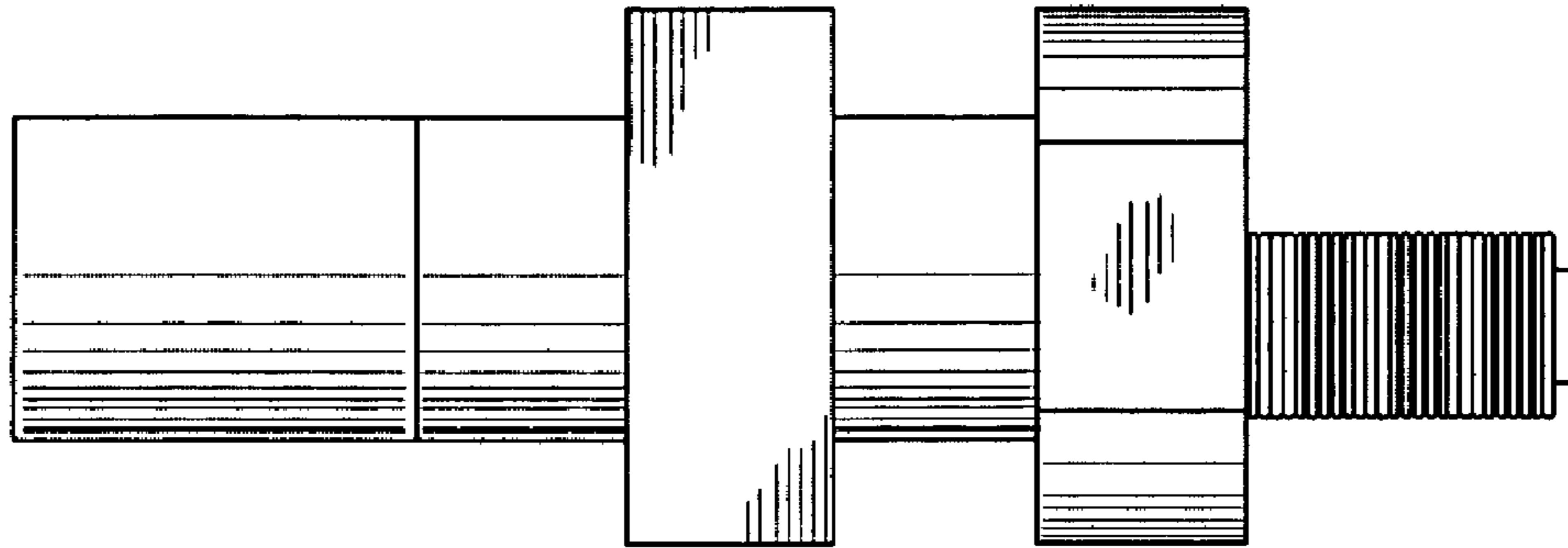


FIG. 6

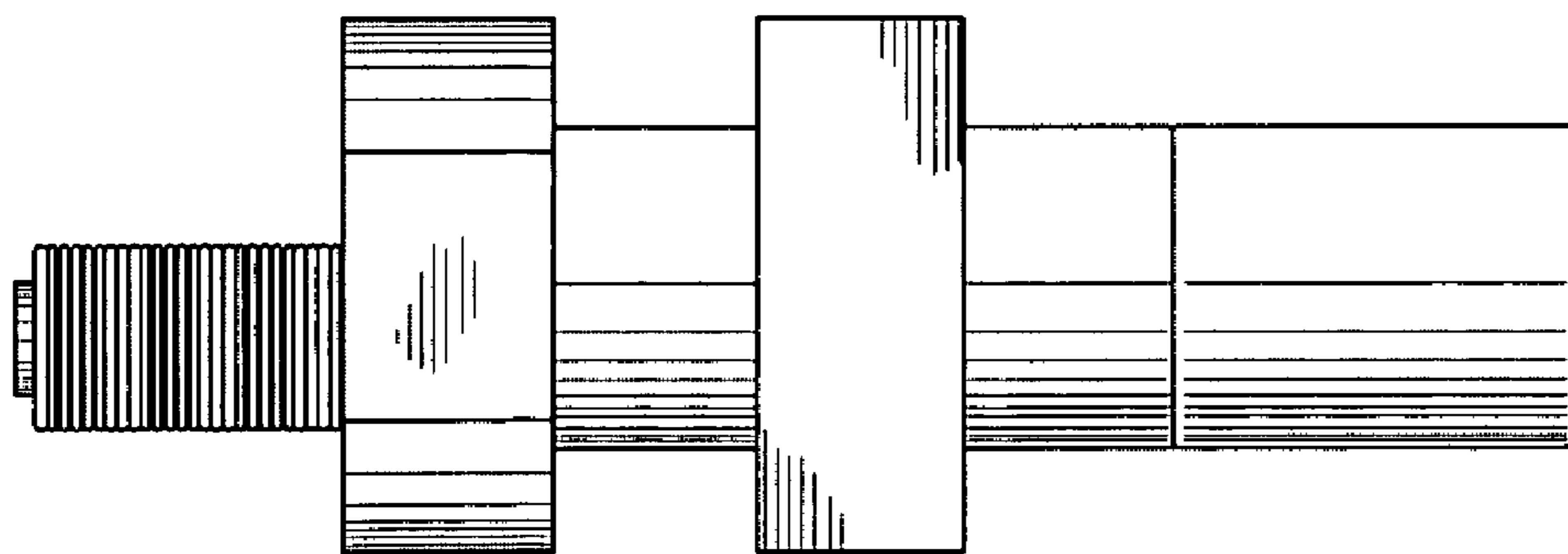


FIG. 7

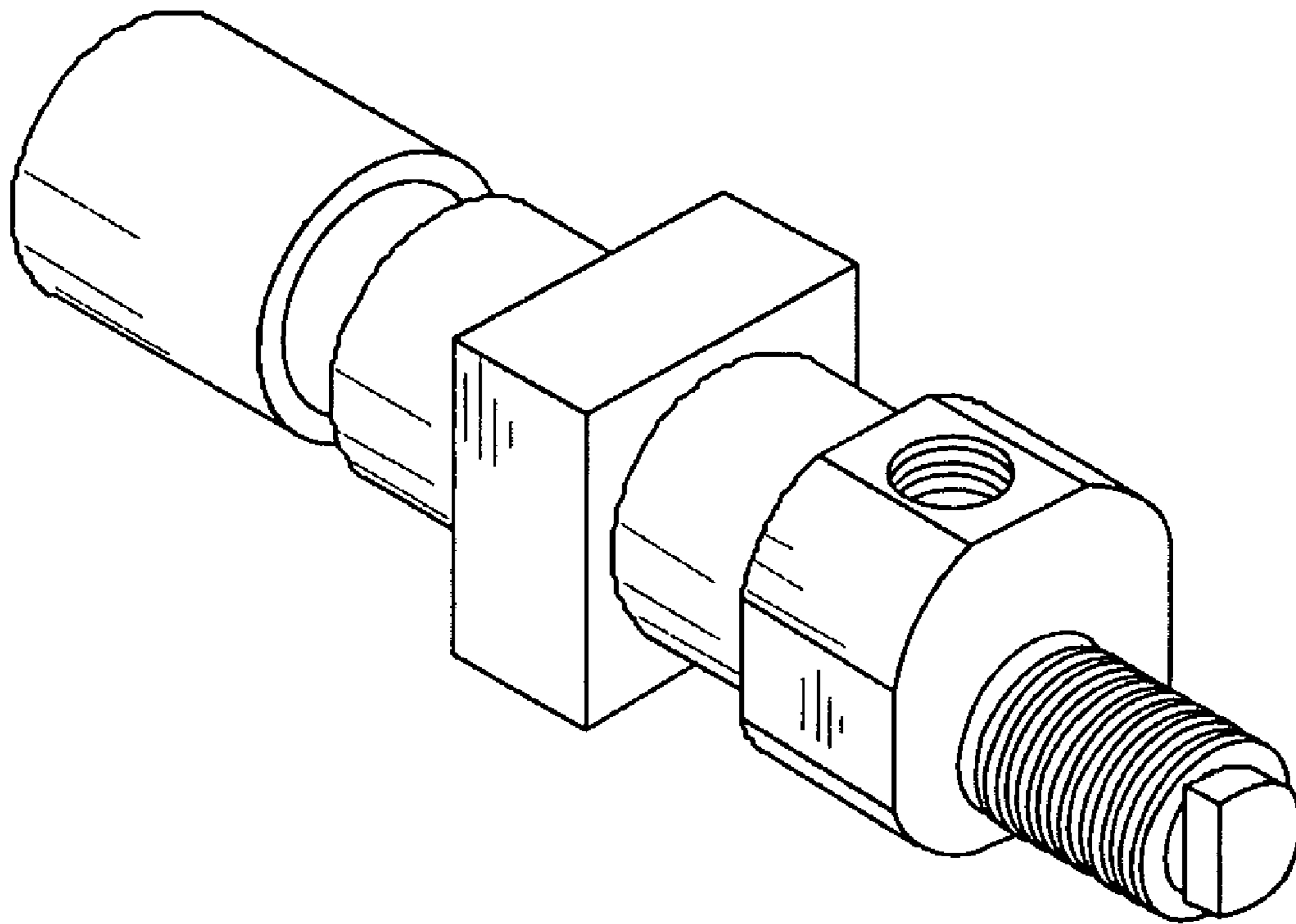


FIG. 8

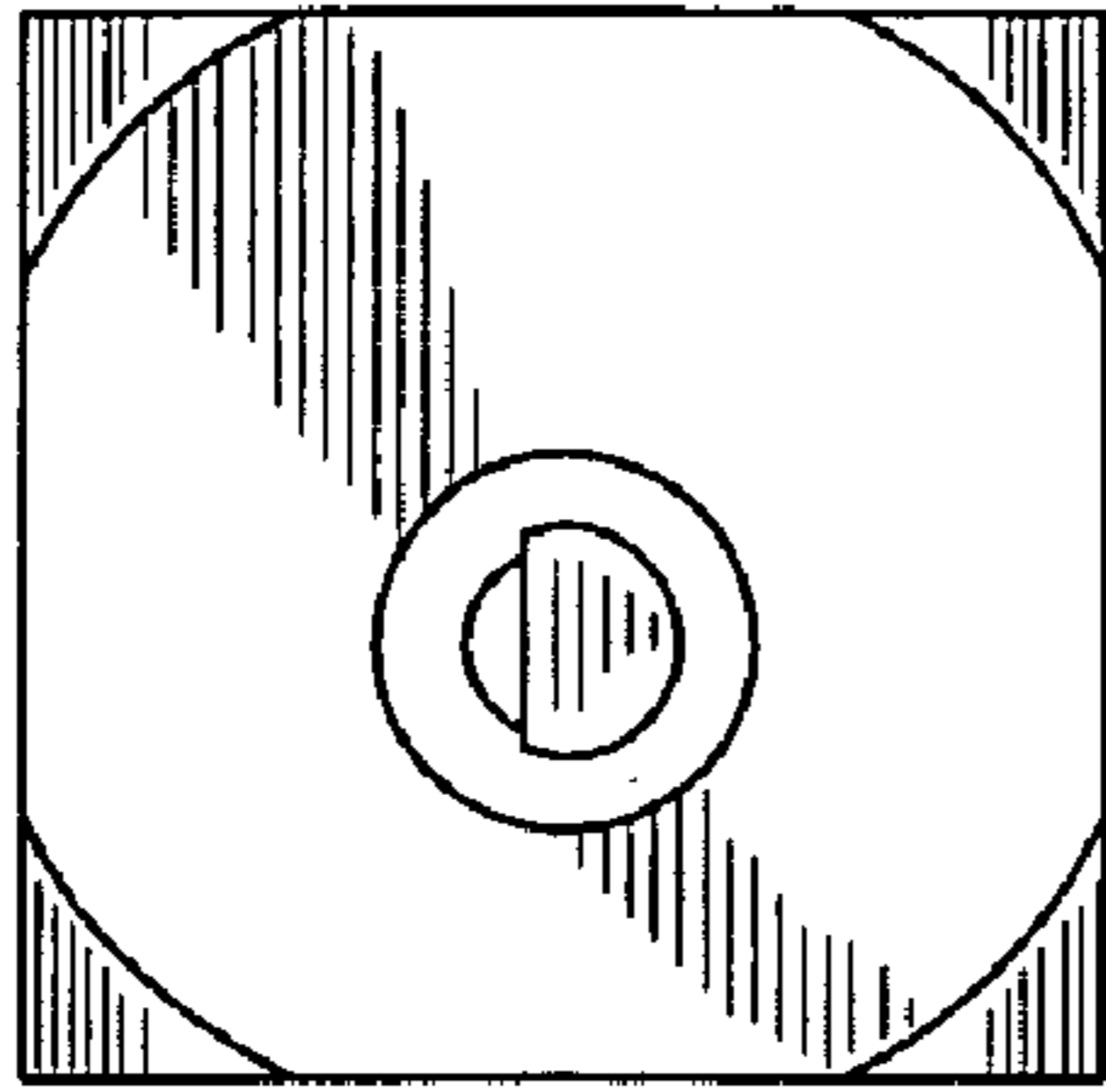


FIG. 9

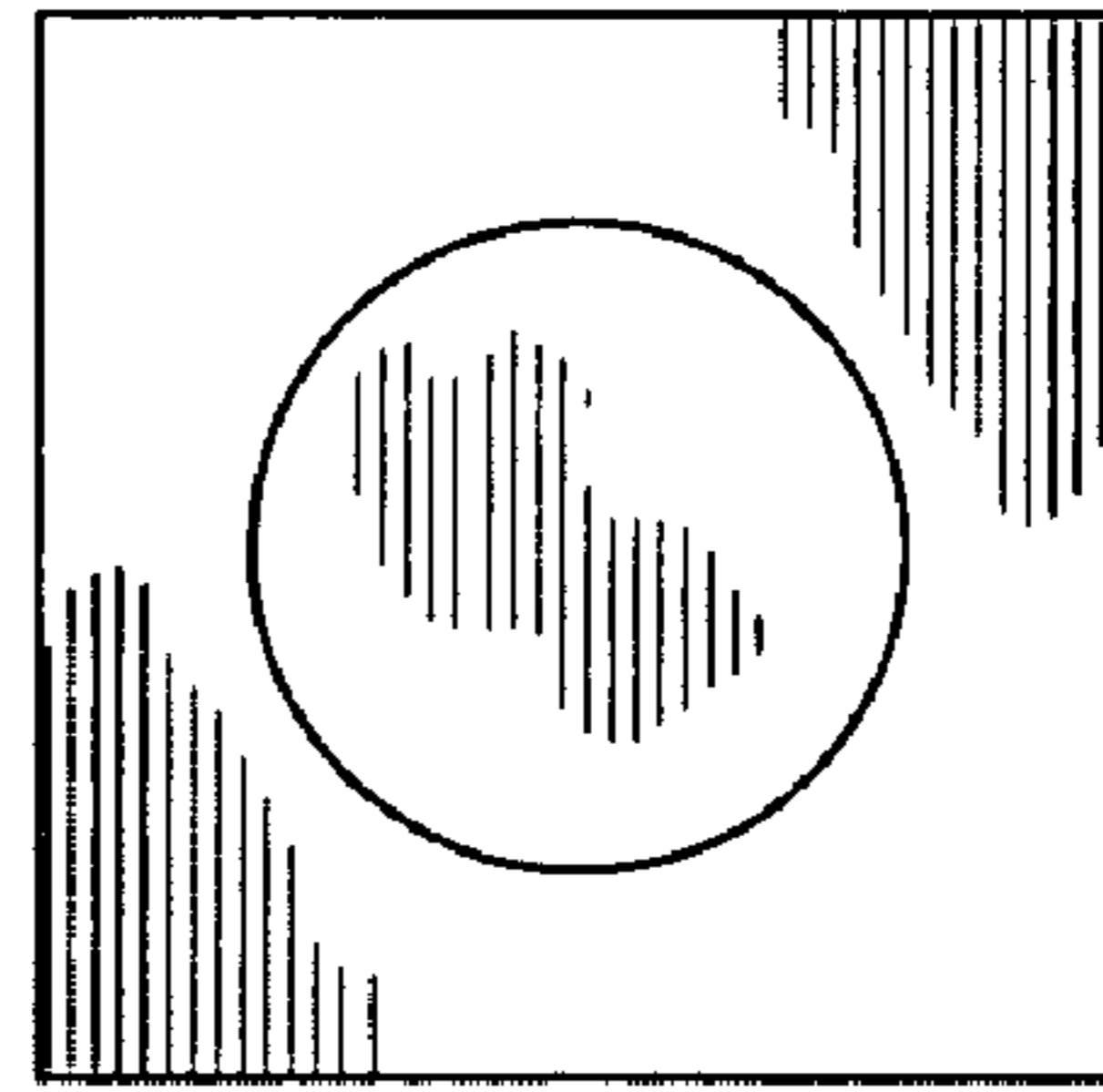


FIG. 10

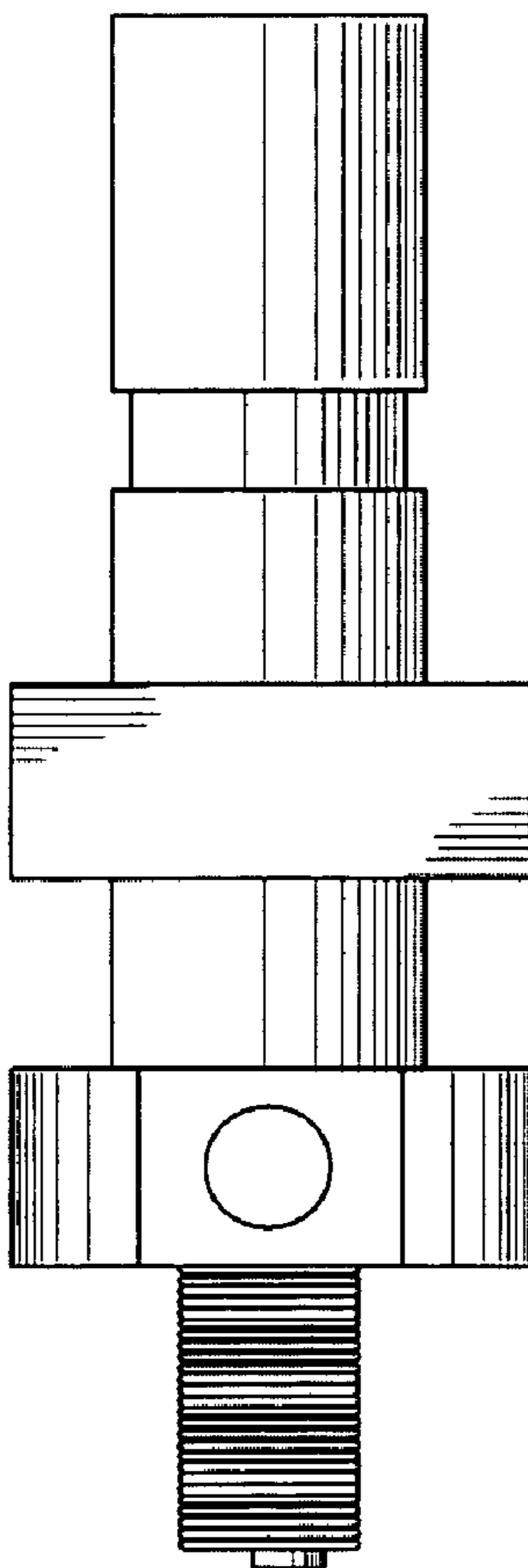


FIG. 11

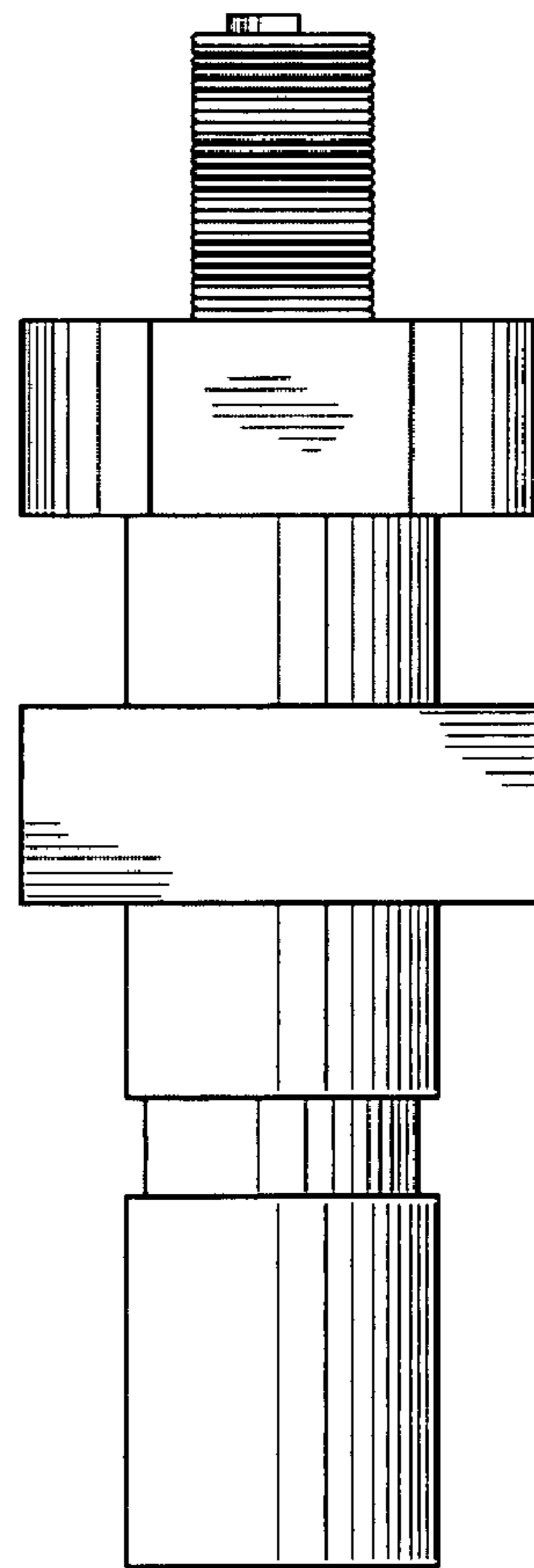


FIG. 12

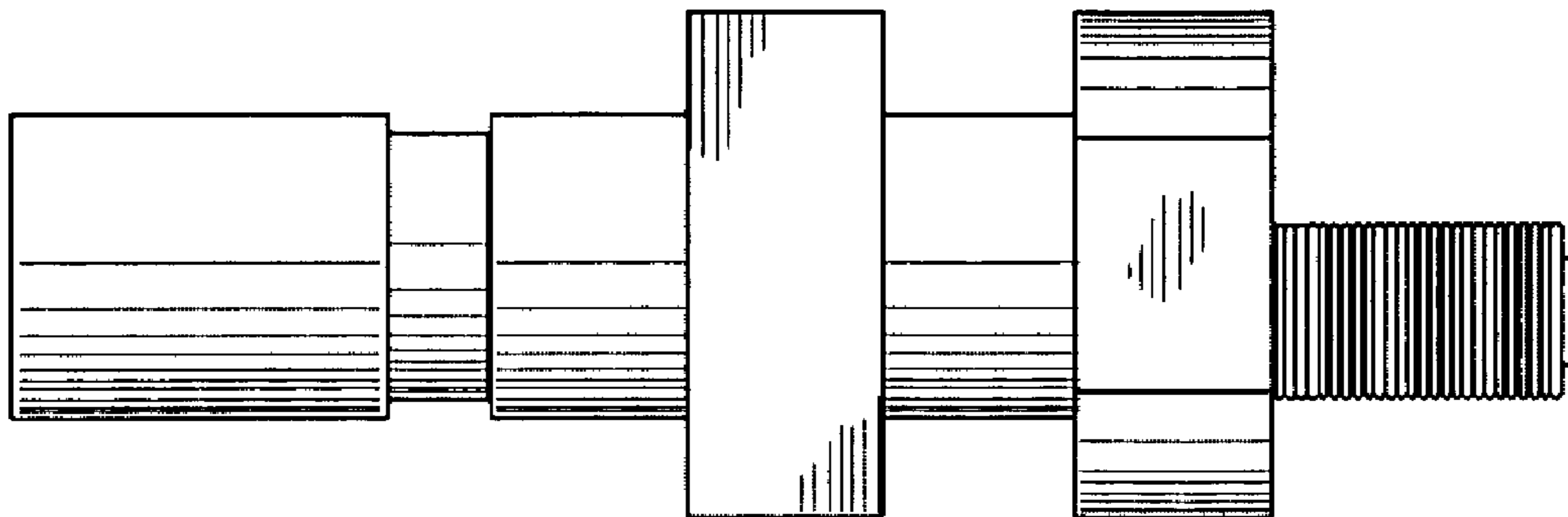


FIG. 13

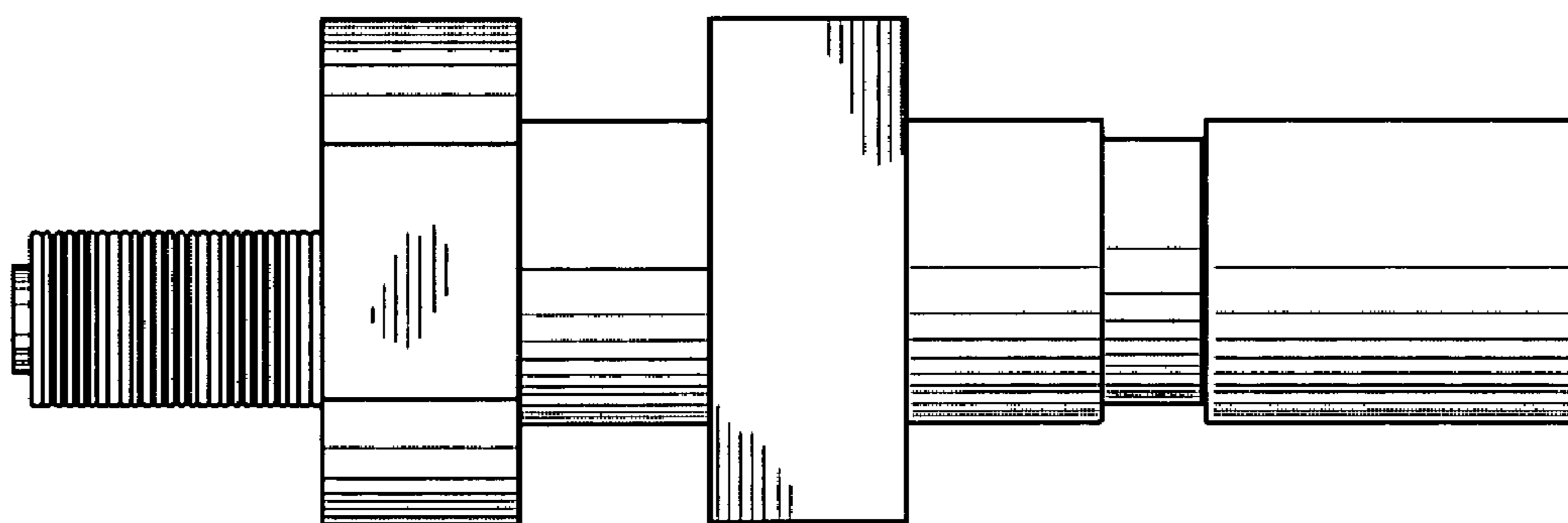


FIG. 14