

US00D597629S

(12) **United States Design Patent**  
**Fulkerson**

(10) **Patent No.:** **US D597,629 S**

(45) **Date of Patent:** **\*\* Aug. 4, 2009**

(54) **VALVE**

(75) **Inventor:** **Terrence M. Fulkerson**, Brunswick Hills, OH (US)

(73) **Assignee:** **Nordson Corporation**, Westlake, OH (US)

(\*\*) **Term:** **14 Years**

(21) **Appl. No.:** **29/298,572**

(22) **Filed:** **Dec. 7, 2007**

(51) **LOC (9) Cl.** ..... **23-01**

(52) **U.S. Cl.** ..... **D23/233**

(58) **Field of Classification Search** ..... D23/233–237, D23/244–249; D7/398; D34/39; 239/337, 239/349, 353, 569; 118/300, 308; 137/209; D3/23, 24

See application file for complete search history.

(56) **References Cited**

**U.S. PATENT DOCUMENTS**

D94,288 S	11/1934	Teahen	
D244,943 S *	7/1977	Balmer, Jr. ....	D14/484
D276,299 S	11/1984	Reardon	
D281,482 S *	11/1985	Suzuki .....	D8/358
D318,412 S	7/1991	Williams	
D348,922 S	7/1994	Thrasher et al.	
D355,584 S *	2/1995	Clivio .....	D8/359
D368,299 S	3/1996	Ratledge	
D424,167 S	5/2000	Yuen et al.	
D436,520 S *	1/2001	Bulman .....	D8/358
6,179,221 B1	1/2001	Goldberg et al.	
D443,811 S	6/2001	Tisbo	
6,278,061 B1 *	8/2001	Daoud .....	174/659
6,619,563 B2	9/2003	van der Steur	
D486,061 S *	2/2004	Mullins et al. ....	D8/400
6,705,545 B1	3/2004	Sroka et al.	
D504,307 S	4/2005	Dayan	

D504,806 S	5/2005	Basaran et al.	
D508,199 S	8/2005	Winig et al.	
D523,251 S *	6/2006	Parpala .....	D6/352
D524,911 S *	7/2006	Thompson et al. ....	D23/233
D537,709 S *	3/2007	Thorner .....	D8/396
D545,561 S *	7/2007	Vandecasteele .....	D3/24
D546,920 S	7/2007	Fulkerson	
D557,118 S *	12/2007	Linginfelter .....	D8/358
D563,207 S *	3/2008	Kawazoe .....	D8/358
D583,651 S *	12/2008	Kawazoe .....	D8/358
2002/0139301 A1	10/2002	Attinoto et al.	
2005/0158187 A1	7/2005	Fulkerson et al.	

\* cited by examiner

*Primary Examiner*—Ian Simmons

*Assistant Examiner*—Maurice Stevens

(74) *Attorney, Agent, or Firm*—Calfee, Halter & Griswold LLP

(57) **CLAIM**

The ornamental design for a valve, as shown and described.

**DESCRIPTION**

FIG. 1 is a perspective view of a valve of the new design;

FIG. 2 is a top plan view of the valve of FIG. 1;

FIG. 3 is a bottom plan view of the valve of FIG. 1;

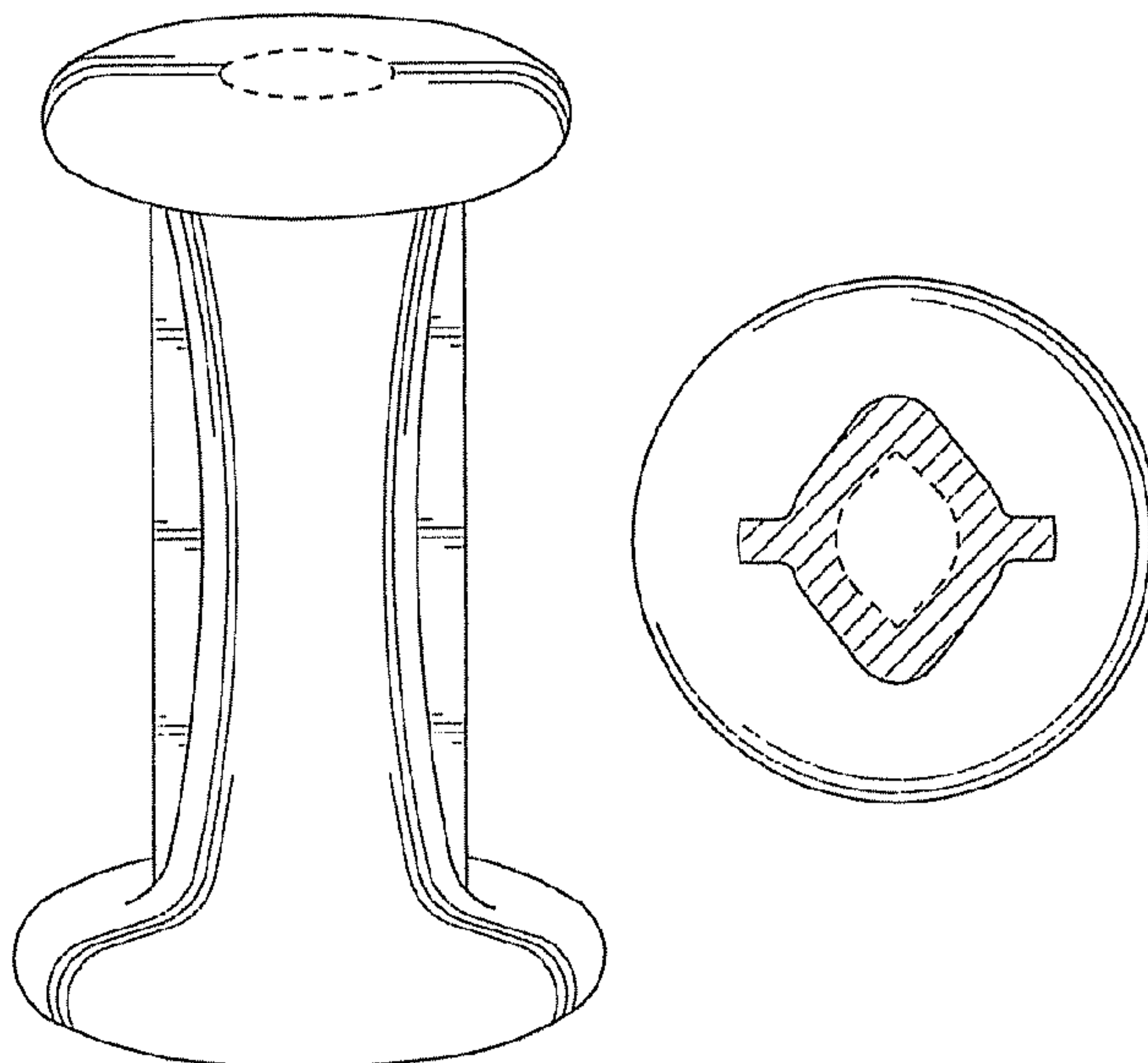
FIG. 4 is a front elevational view of the valve of FIG. 1, the rear elevational view being a mirror image thereof;

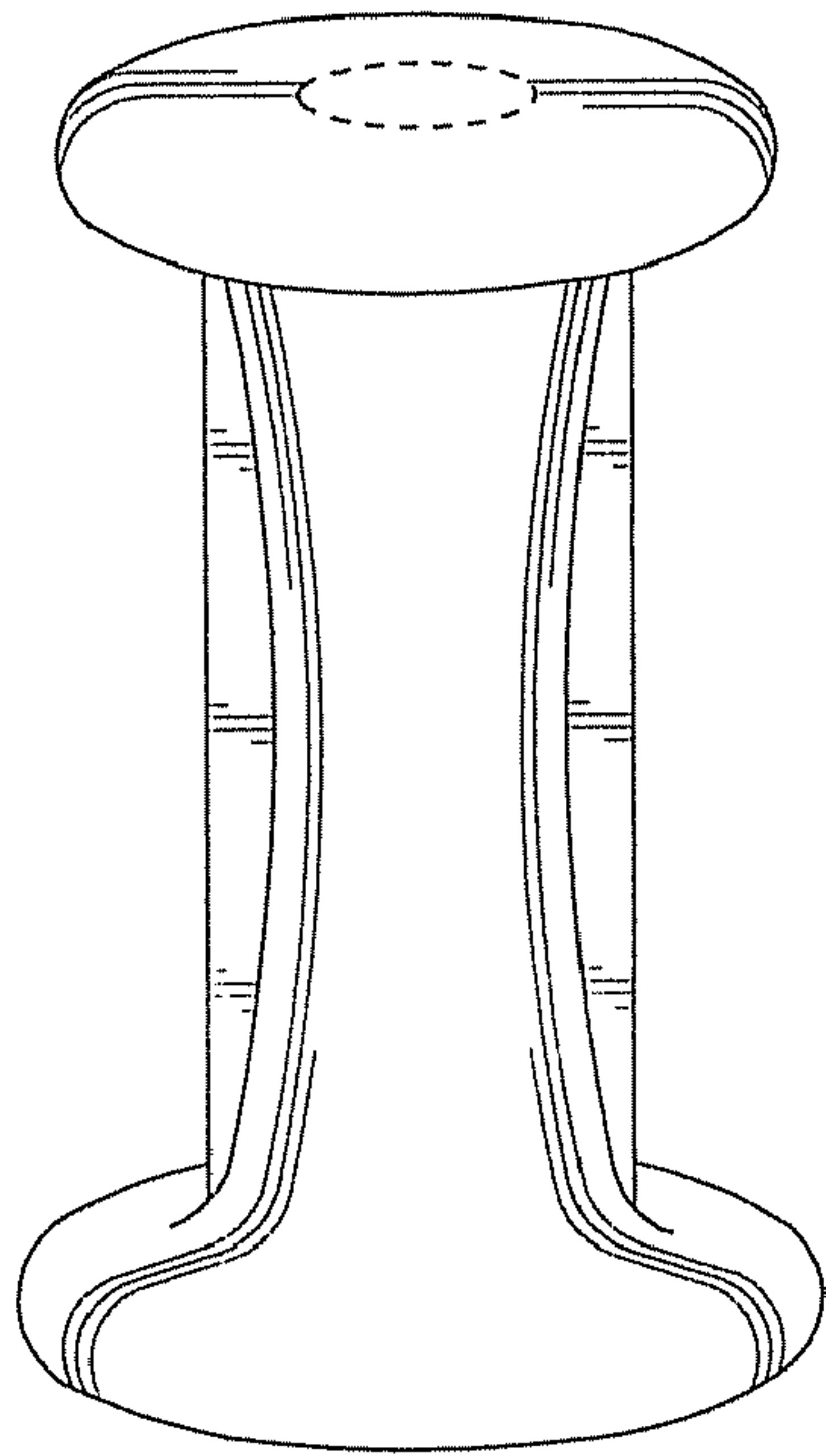
FIG. 5 is a right side elevational view of the valve of FIG. 1, the left side elevational view being a mirror image thereof; and,

FIG. 6 is a cross section view of the valve of FIG. 1, along the 6—6 line.

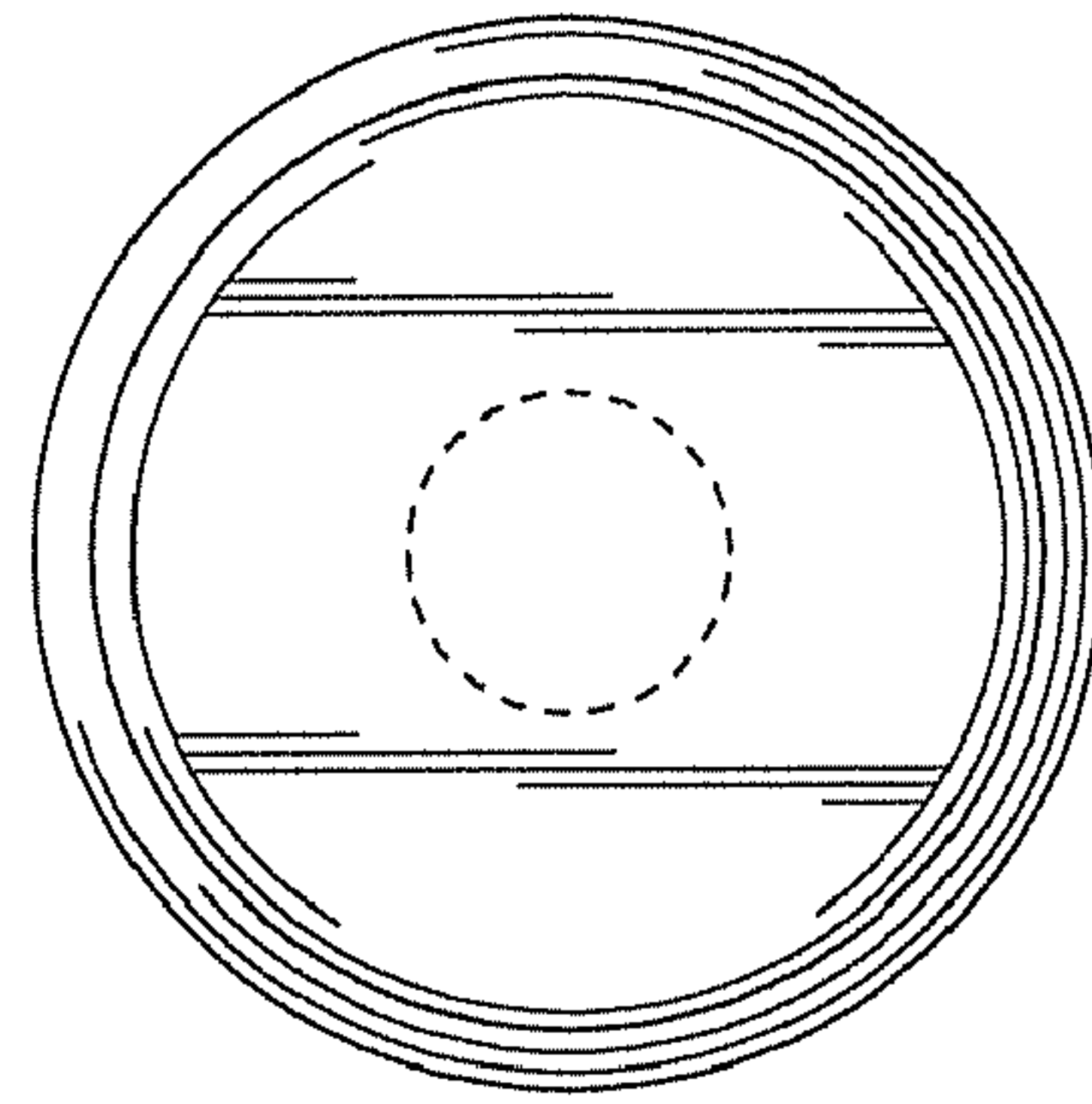
The portions of the Figures shown in broken lines are not part of the claimed design and are for illustration only.

**1 Claim, 1 Drawing Sheet**

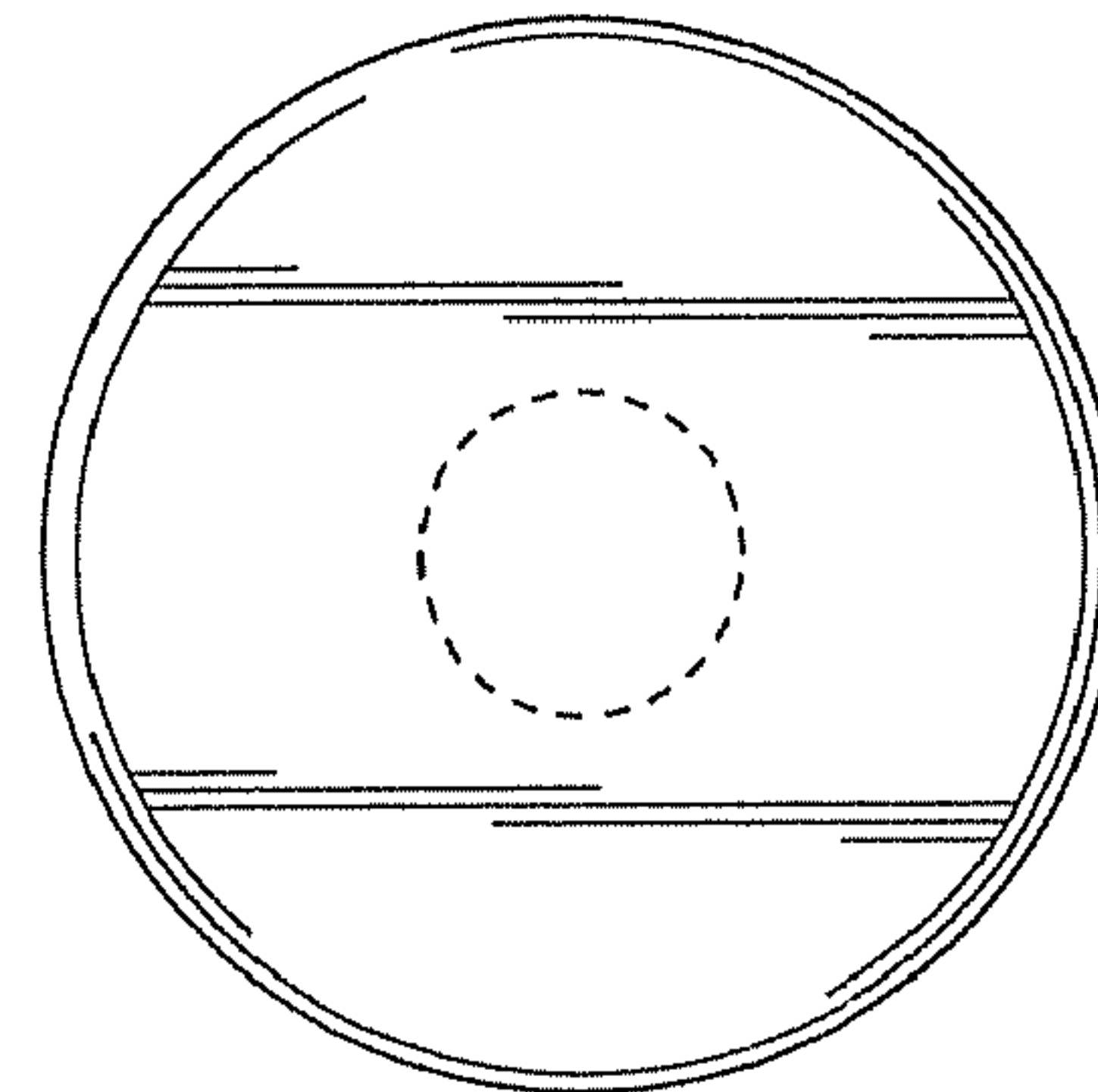




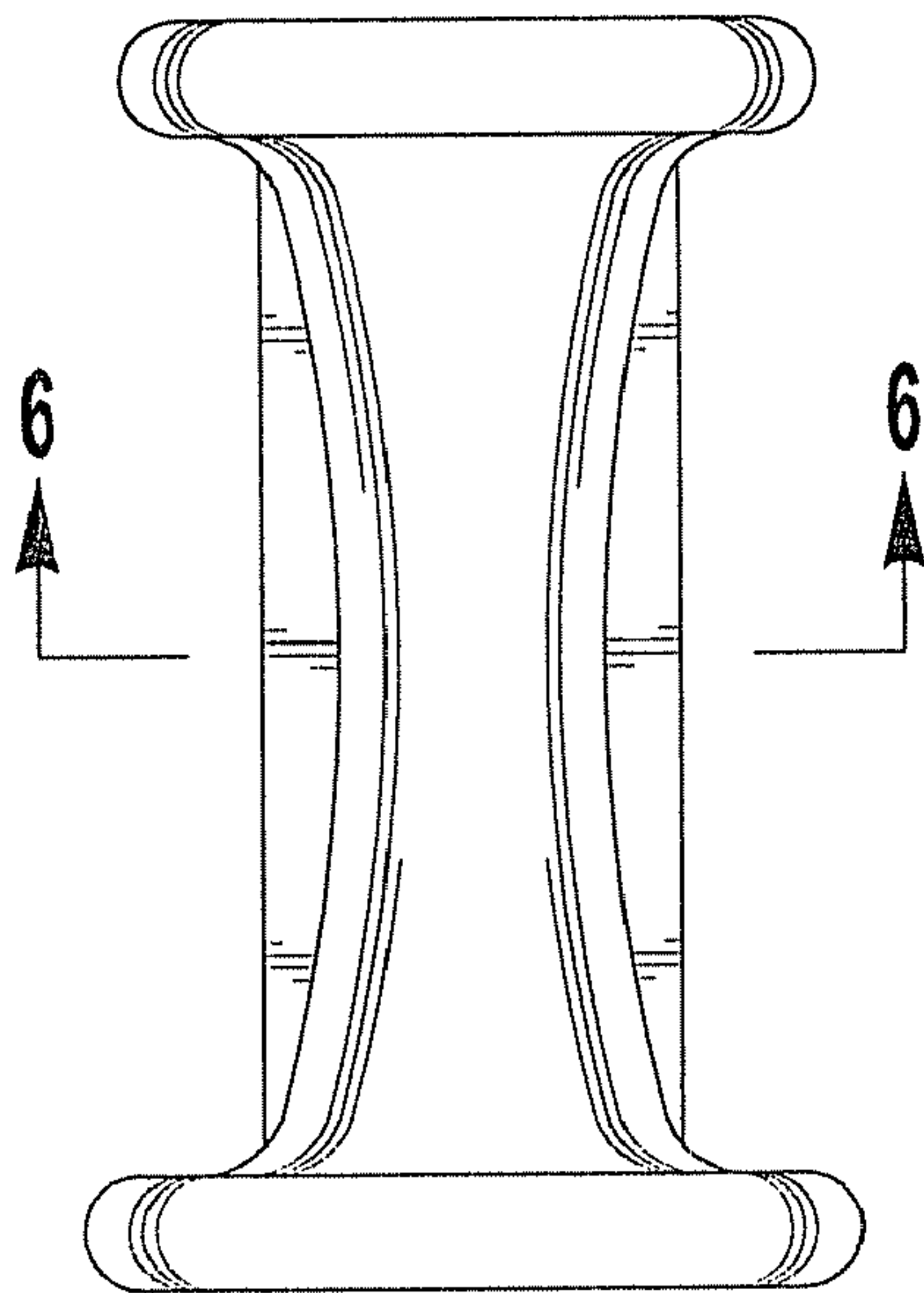
**FIG. 1**



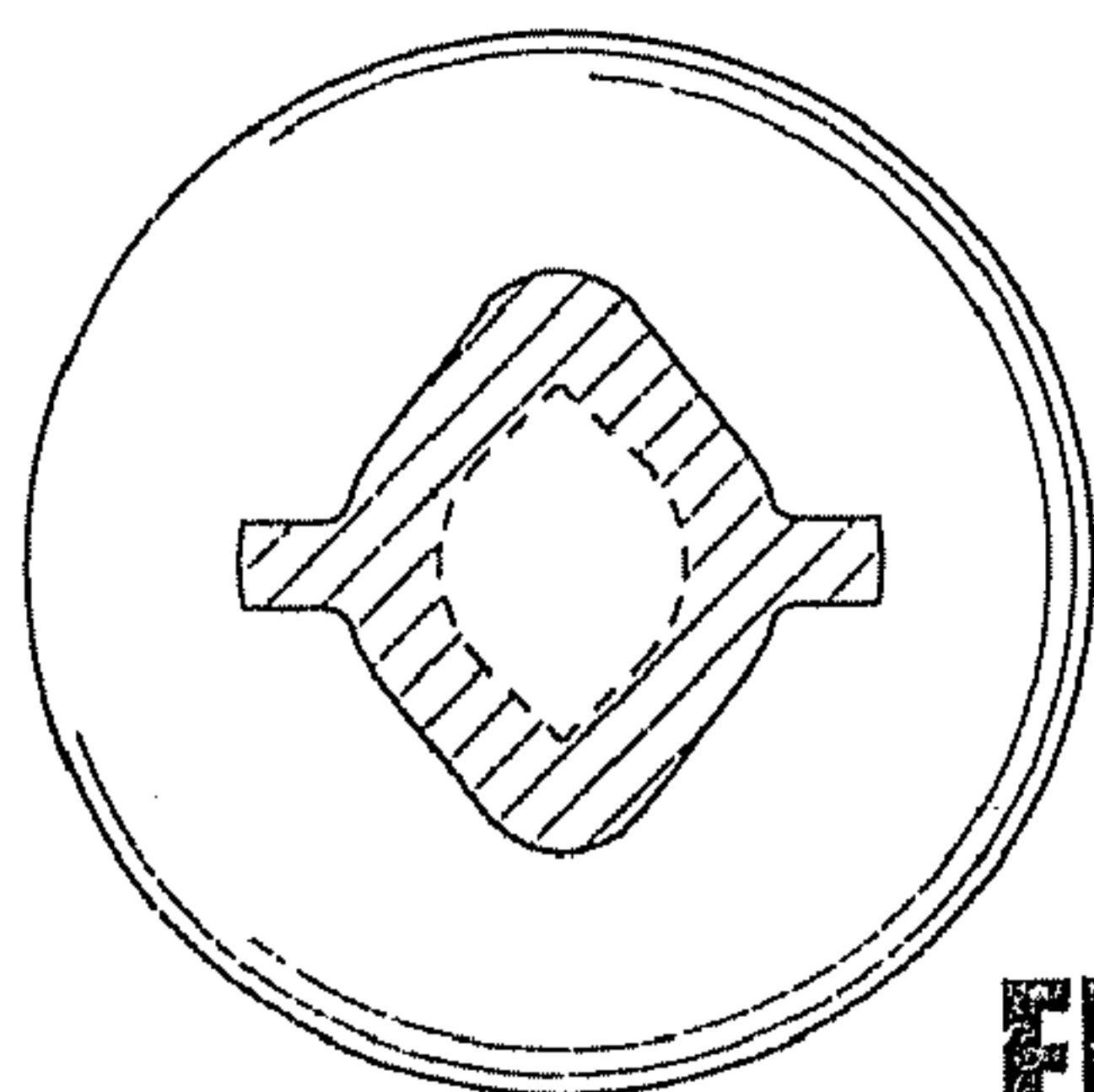
**FIG. 2**



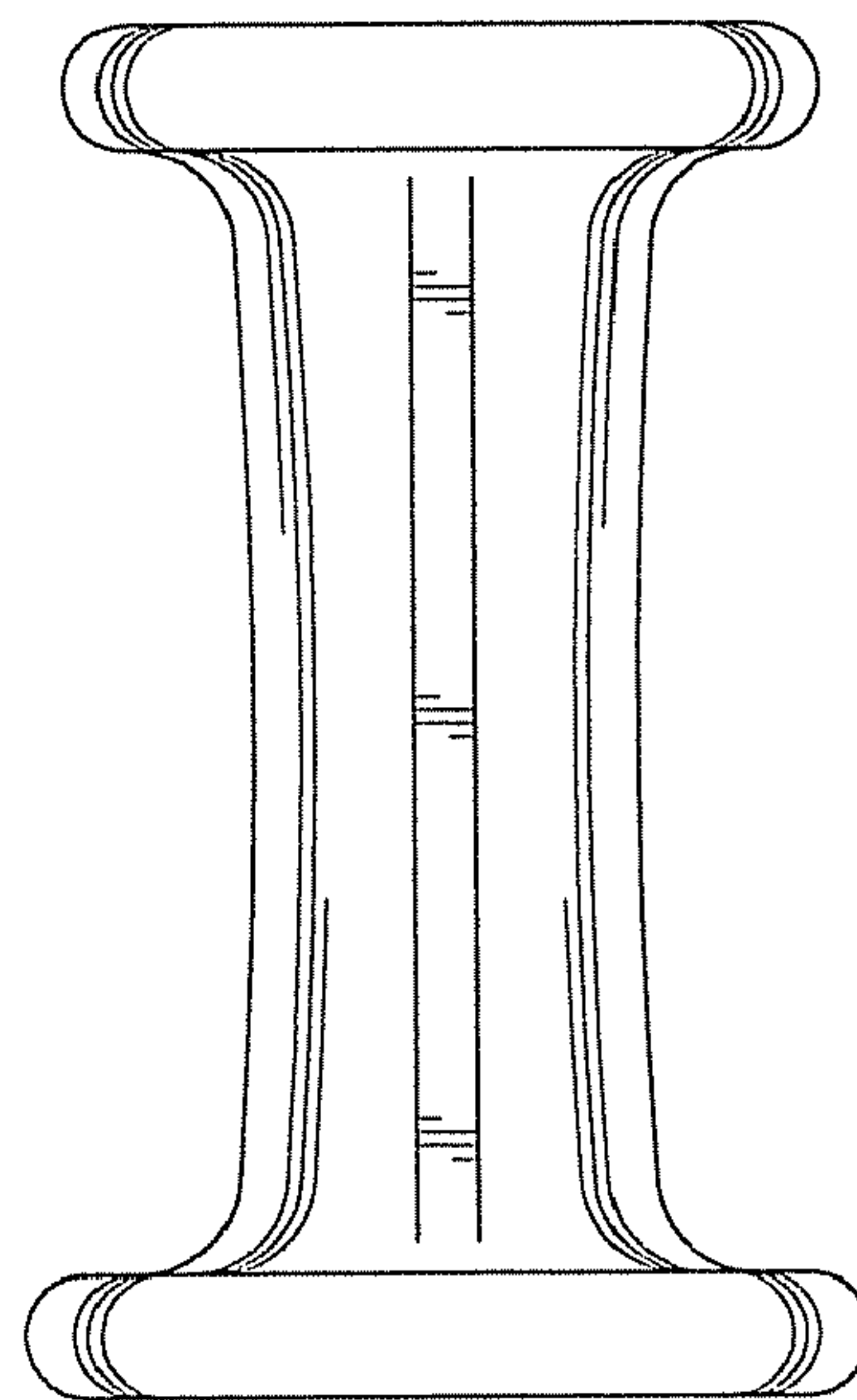
**FIG. 3**



**FIG. 4**



**FIG. 6**



**FIG. 5**