



US00D597623S

(12) **United States Design Patent**
Blair et al.

(10) **Patent No.:** **US D597,623 S**

(45) **Date of Patent:** **** Aug. 4, 2009**

(54) **BILLIARD TABLE BASE**

(75) Inventors: **Jesse Nicholas Stanford Blair**,
Whitefish Bay, WI (US); **Adam W. Callif**,
Chicago, IL (US); **Joseph M. MacCarthy**,
Oakland, CA (US); **John Zebley**,
Saratoga Springs, UT (US)

(73) Assignee: **Brunswick Bowling & Billiards Corporation**,
Lake Forest, IL (US)

(**) Term: **14 Years**

(21) Appl. No.: **29/292,164**

(22) Filed: **Sep. 26, 2007**

(51) **LOC (9) Cl.** **06-03**

(52) **U.S. Cl.** **D21/783**

(58) **Field of Classification Search** D21/782-784;
D6/329, 360, 491-496, 422, 423, 428; 473/1,
473/4, 6, 7, 8, 9, 17, 19, 28, 31, 33; 273/236;
248/127, 158, 161, 188, 188.1, 188.8, 346.01,
248/346.02

See application file for complete search history.

(56) **References Cited**

U.S. PATENT DOCUMENTS

D5,322 S	10/1871	Griffith	
D6,469 S	3/1873	Collender	
156,389 A	10/1874	Stiles	
373,016 A	11/1887	Daugherty	
572,688 A	12/1896	Seifert	
1,509,144 A	9/1924	Harnet	
1,535,926 A	4/1925	Leone	
1,547,996 A	7/1925	Drost et al.	
1,568,154 A	1/1926	Hannon et al.	
D85,561 S	11/1931	Toce	
D85,572 S	11/1931	Burnstine	
2,008,613 A	7/1935	Hernes	
2,174,613 A	10/1939	Blaschke	
D145,787 S	10/1946	Collender	
D192,086 S *	1/1962	Reineman et al.	D21/784
D208,257 S *	8/1967	Kotler	D21/784
D215,220 S	9/1969	Eide	

3,881,727 A	5/1975	Olson	
4,010,949 A	3/1977	Lee	
D257,469 S	10/1980	Moore	
D257,684 S	12/1980	Moore	
4,474,374 A	10/1984	Lewis et al.	
4,909,507 A	3/1990	McKnown	
D332,293 S	1/1993	Powers	
D348,298 S *	6/1994	Fitzhugh	D21/784
D348,916 S	7/1994	Powers	

(Continued)

OTHER PUBLICATIONS

“Gold Crown,” Brunswick Billiards, Inc., 1 page, 2004.

(Continued)

Primary Examiner—Prabhakar Deshmukh

(74) *Attorney, Agent, or Firm*—Brinks Hofer Gilson & Lione

(57) **CLAIM**

The ornamental design for a billiard table base, as shown and described.

DESCRIPTION

FIG. 1 is a perspective view of a billiard table base showing our new design;

FIG. 2 is a side view thereof;

FIG. 3 is a front elevational view thereof;

FIG. 4 is a bottom plan view thereof;

FIG. 5 is a perspective view of a second embodiment of a billiard table base;

FIG. 6 is a side view thereof;

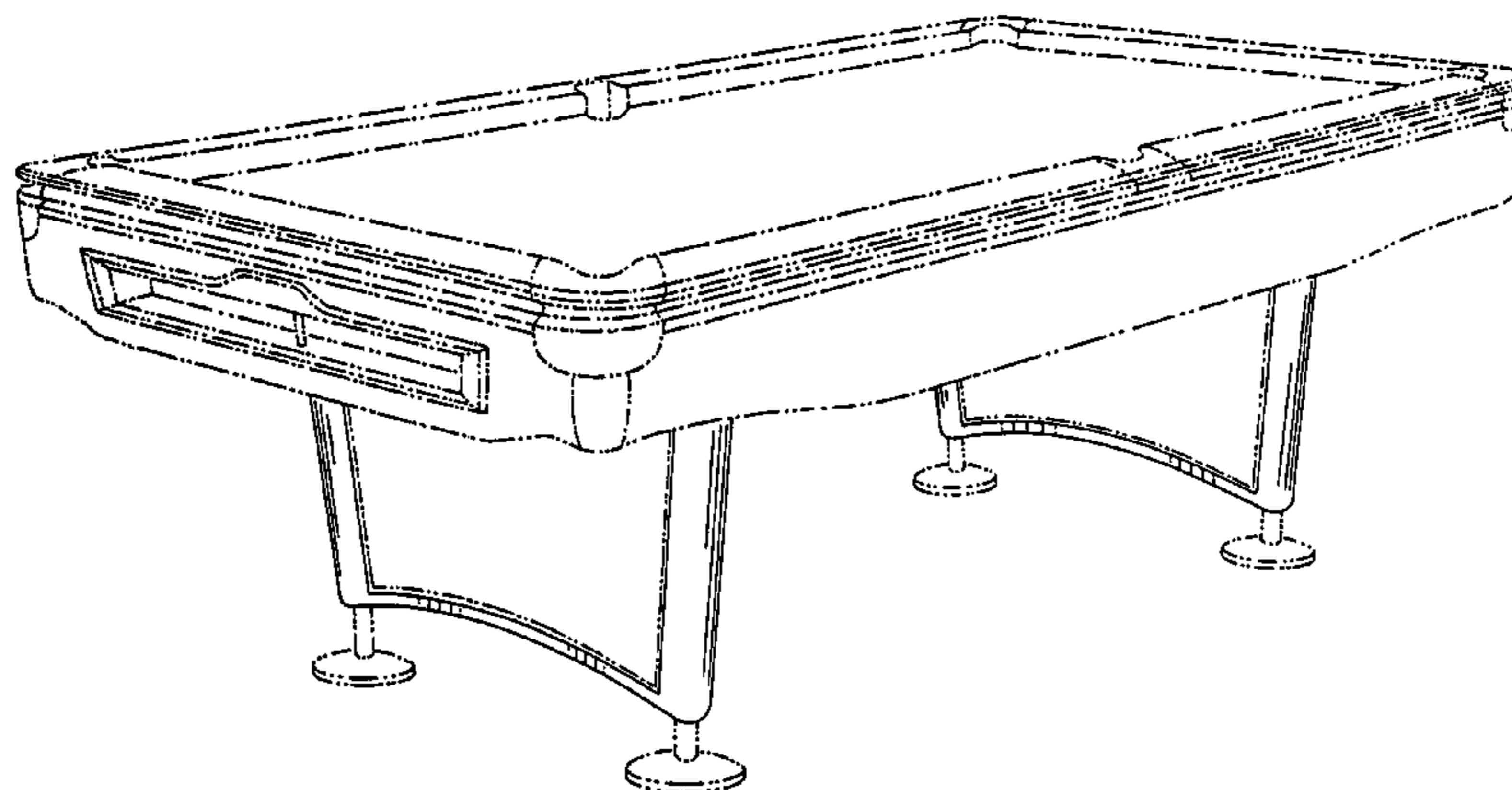
FIG. 7 is a front elevational view thereof; and,

FIG. 8 is a bottom plan view thereof.

The broken lines, which define the bounds of the claimed design, form no part thereof.

The broken lines environmental are for illustrative purposes only and form no part of the claimed design.

1 Claim, 6 Drawing Sheets



U.S. PATENT DOCUMENTS

D349,742	S	8/1994	Tyne	
5,451,187	A	9/1995	Brinkley	
D408,487	S	4/1999	McCormick et al.	
D408,488	S	4/1999	McCormick et al.	
D418,185	S	12/1999	McCormick et al.	
6,102,808	A *	8/2000	Wong	473/12
6,149,530	A *	11/2000	Shih	473/22
D443,012	S	5/2001	Baker	
D443,325	S	6/2001	Baker	
D473,278	S	4/2003	McCormick et al.	
D489,784	S	5/2004	Foley	
D491,245	S	6/2004	Newhouse	
D494,241	S	8/2004	Moore, Sr.	
D494,242	S	8/2004	McCormick	
D495,766	S	9/2004	Moore, Sr.	
D500,543	S	1/2005	Stein	
6,866,590	B2	3/2005	Tucker	
D505,173	S	5/2005	Foley	
D507,322	S	7/2005	Hobbs et al.	
D510,824	S	10/2005	Moore, Sr.	
2002/0074299	A1	6/2002	Zummo	
2003/0134683	A1 *	7/2003	Shih	473/33
2004/0029644	A1 *	2/2004	Shih	473/15
2004/0224780	A1 *	11/2004	Nagle	473/2
2005/0221902	A1 *	10/2005	Chen	473/4

OTHER PUBLICATIONS

“Gold Crown IV Features,” Brunswick Billiards, Inc., http://www.brunswickbilliards.com/brunswick_collection/tables/competition/gold_crown_iv_features.html, 1 page, 2007.

“Gold Crown IV,” Brunswick Billiards, Inc., http://www.brunswick_collection/tables/competition/gold_crown_iv.html, 1 page, 2007.

“Gold Crown IV,” Brunswick Billiards, Inc., http://www.brunswickbilliards.com/brunswick_collection/tables/competition/gold_crown_iv_room.html, 1 page, 2007.

“Manchester II, Camden II, Pocket Billiard Table Installation Manual,” Brunswick Billiards, Inc., 11 page, 2000.

Notice of Allowance for U.S. Appl. No. 29/292,168, 7 pages, Feb. 17, 2009.

Office Action directed against U.S. Appl. No. 29/292,165, 10 pages, Feb. 23, 2009.

Office Action directed against U.S. Appl. No. 29/292,166, 6 pages, Feb. 12, 2009.

Office Action directed against U.S. Appl. No. 29/292,167, 7 pages, Feb. 13, 2009.

Notice of Allowance for U.S. Appl. No. 29/292,169, 6 pages, Feb. 17, 2009.

Office Action directed against U.S. Appl. No. 29/292,169, 6 pages, Apr. 20, 2009.

“Gold Crown IV,” Brunswick Billiards, Inc., http://www.brunswickbilliards.com/brunswick_collection/tables/competition/gold_crown_iv_room.html, 1 page, 2007.

“Manchester II, Camden II, Pocket Billiard Table Installation Manual,” Brunswick Billiards, Inc., 11 page, 2000.

* cited by examiner

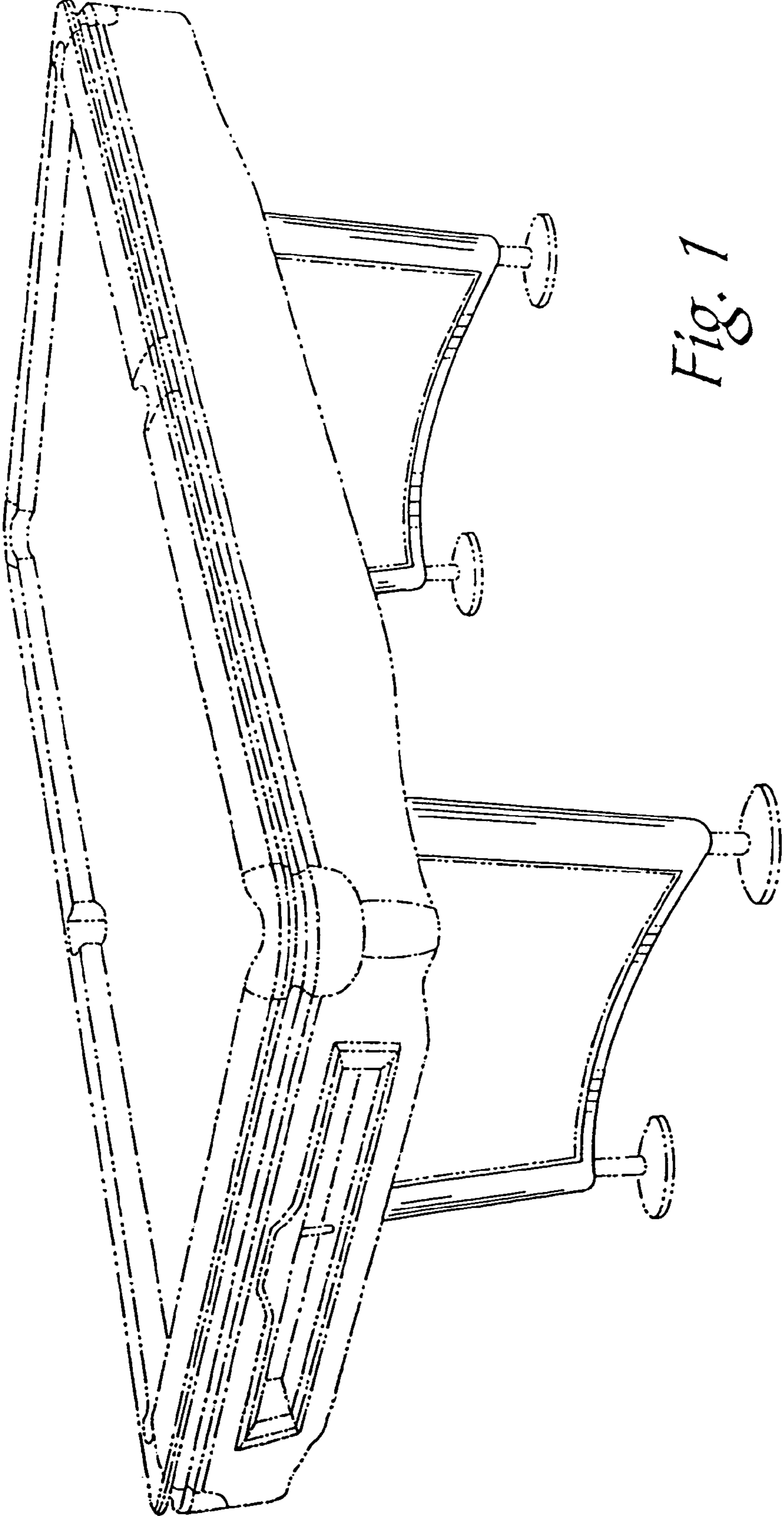


Fig. 1

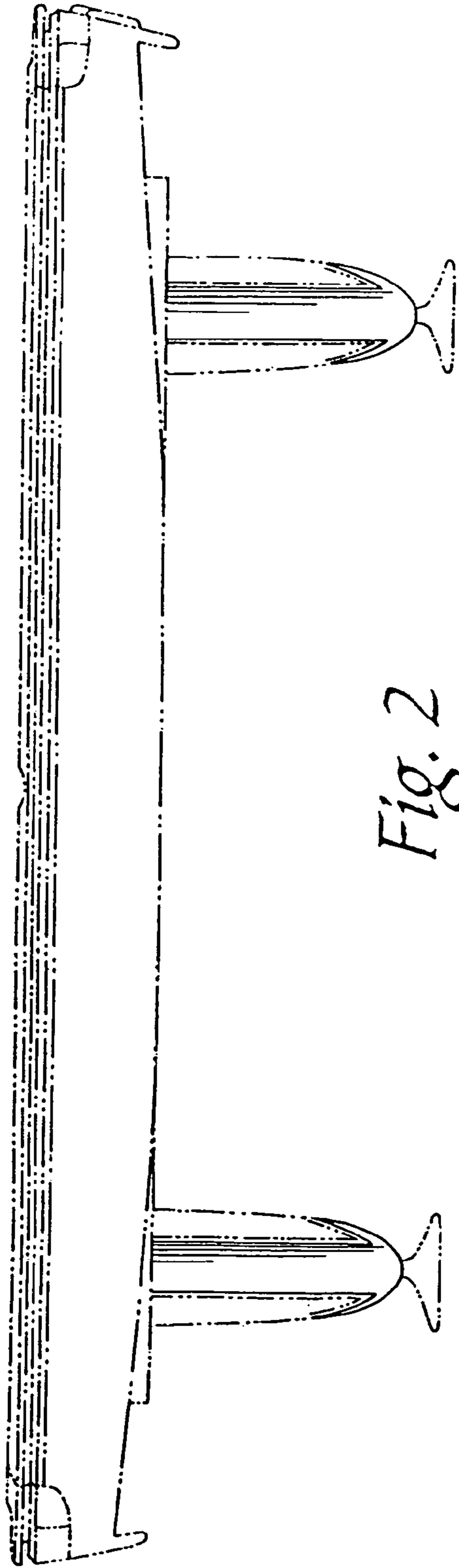


Fig. 2

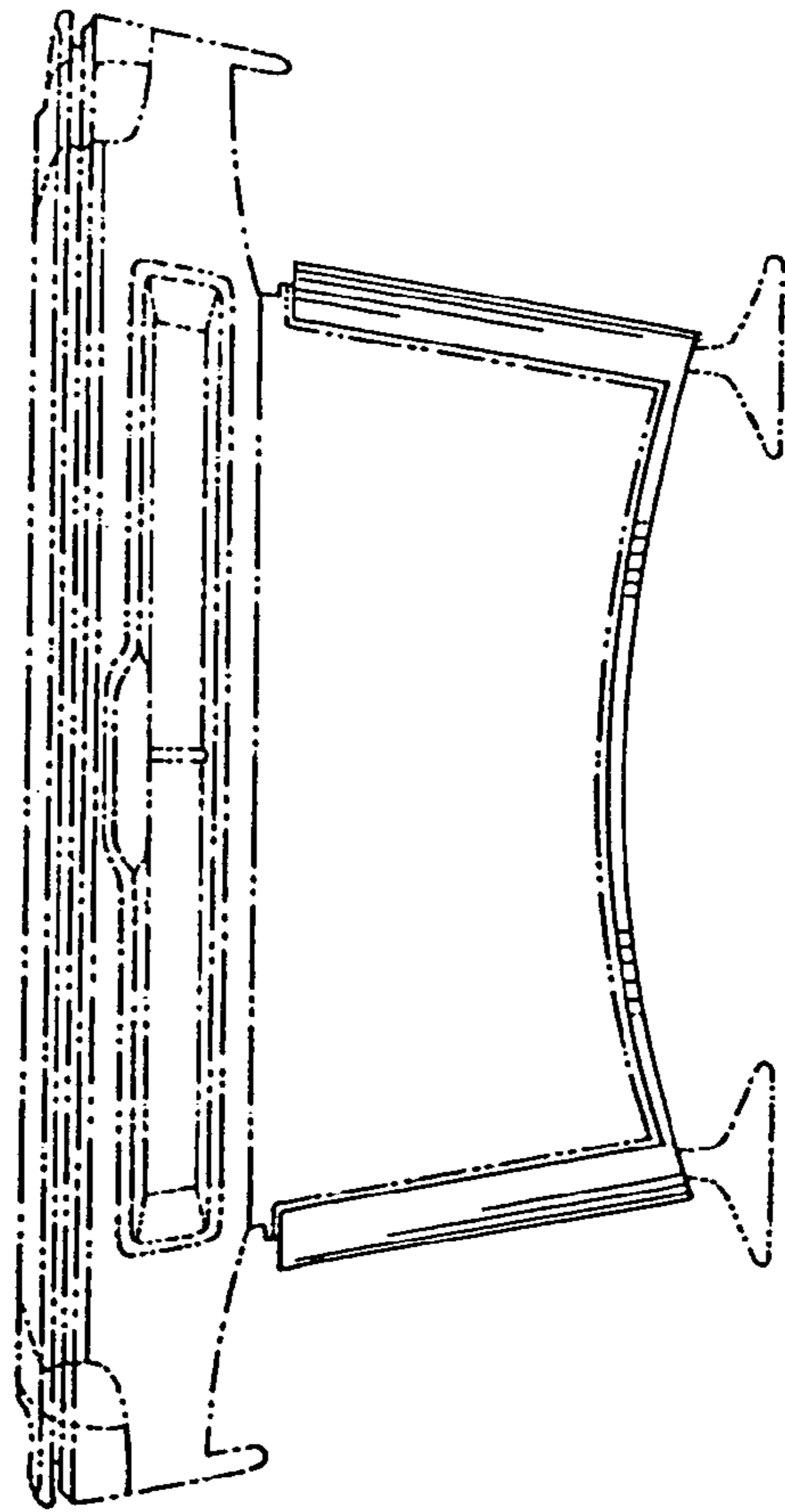


Fig. 3

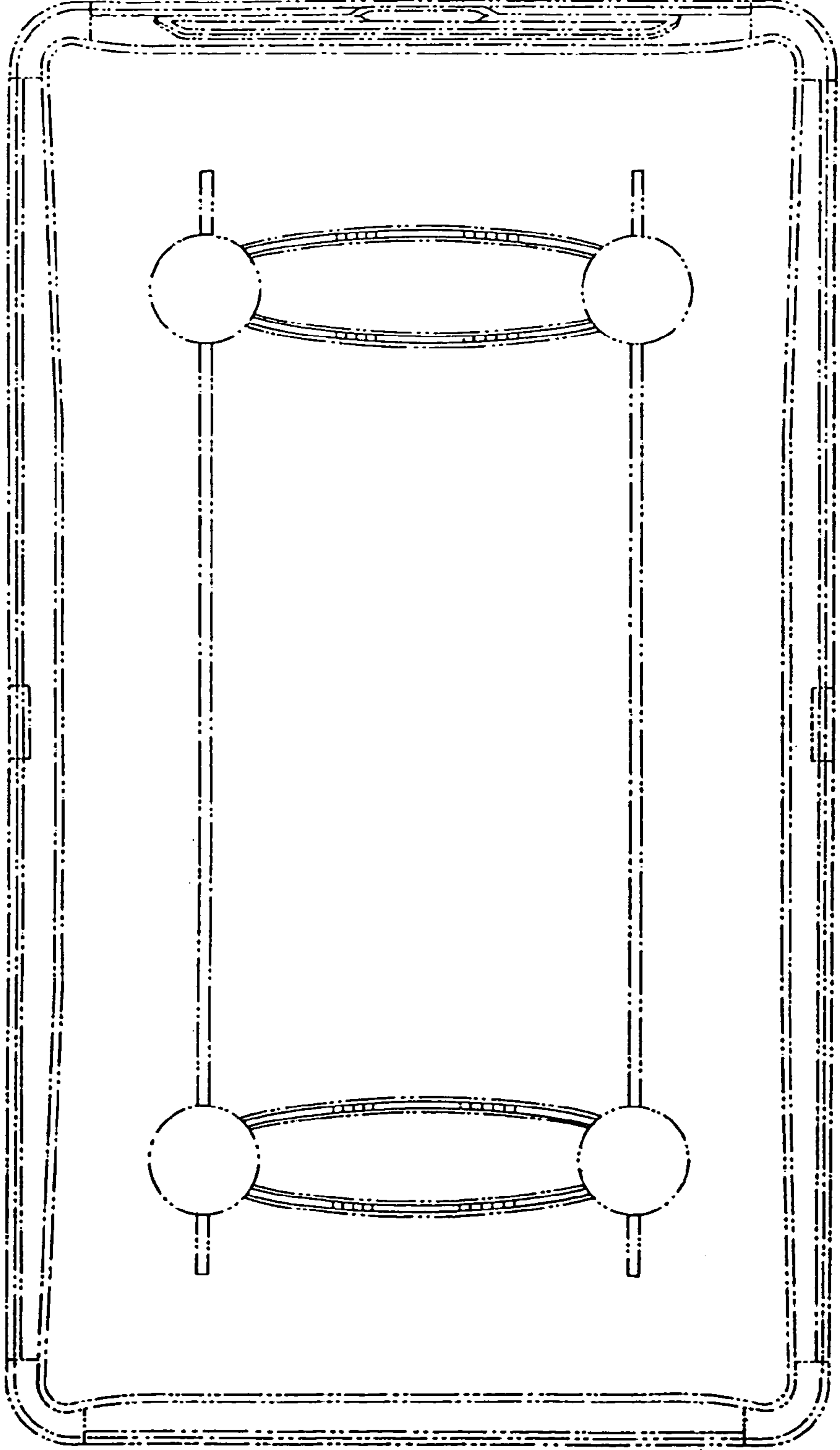


Fig. 4

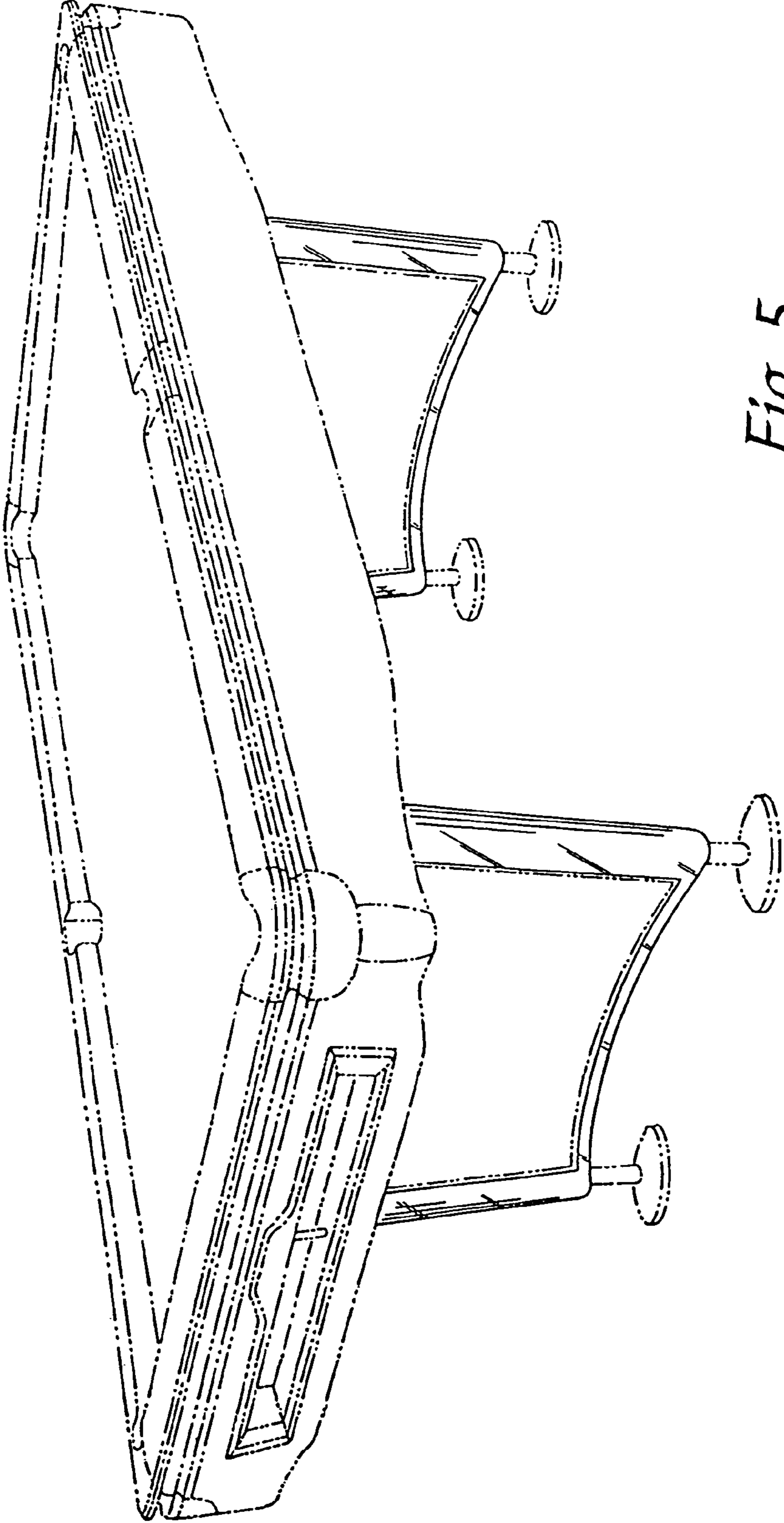


Fig. 5

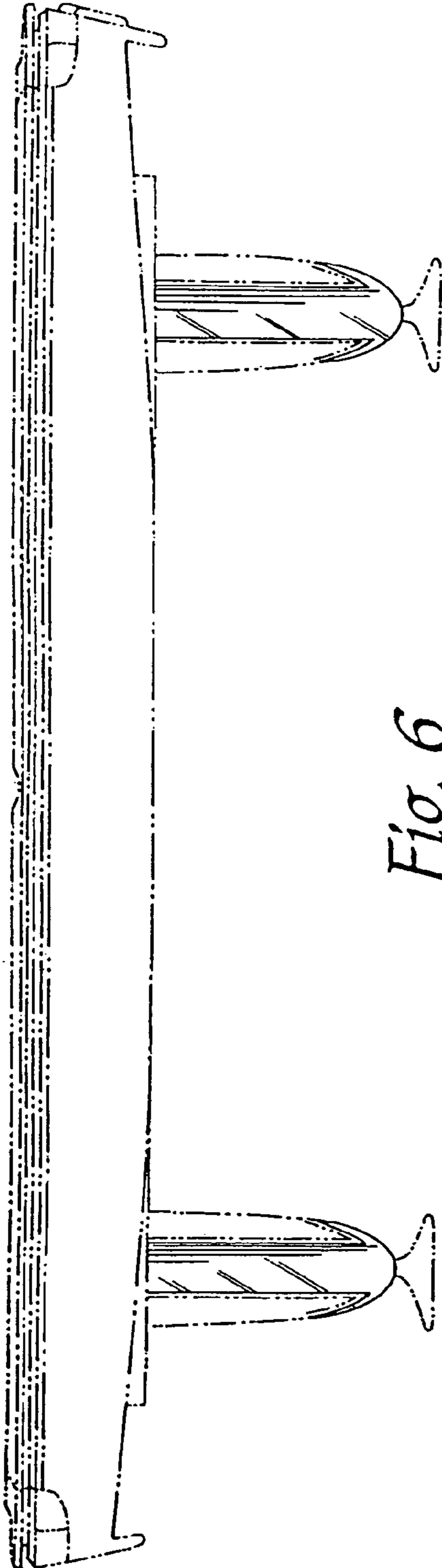


Fig. 6

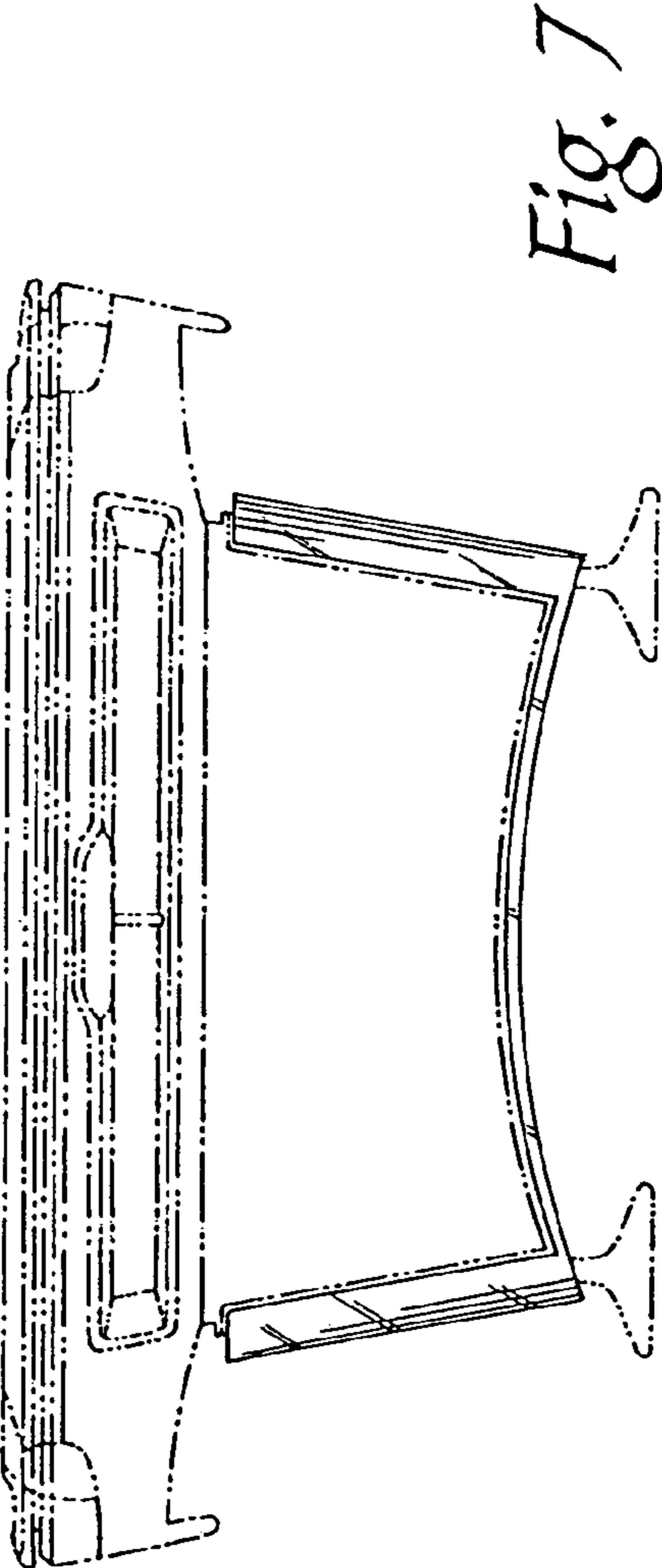


Fig. 7

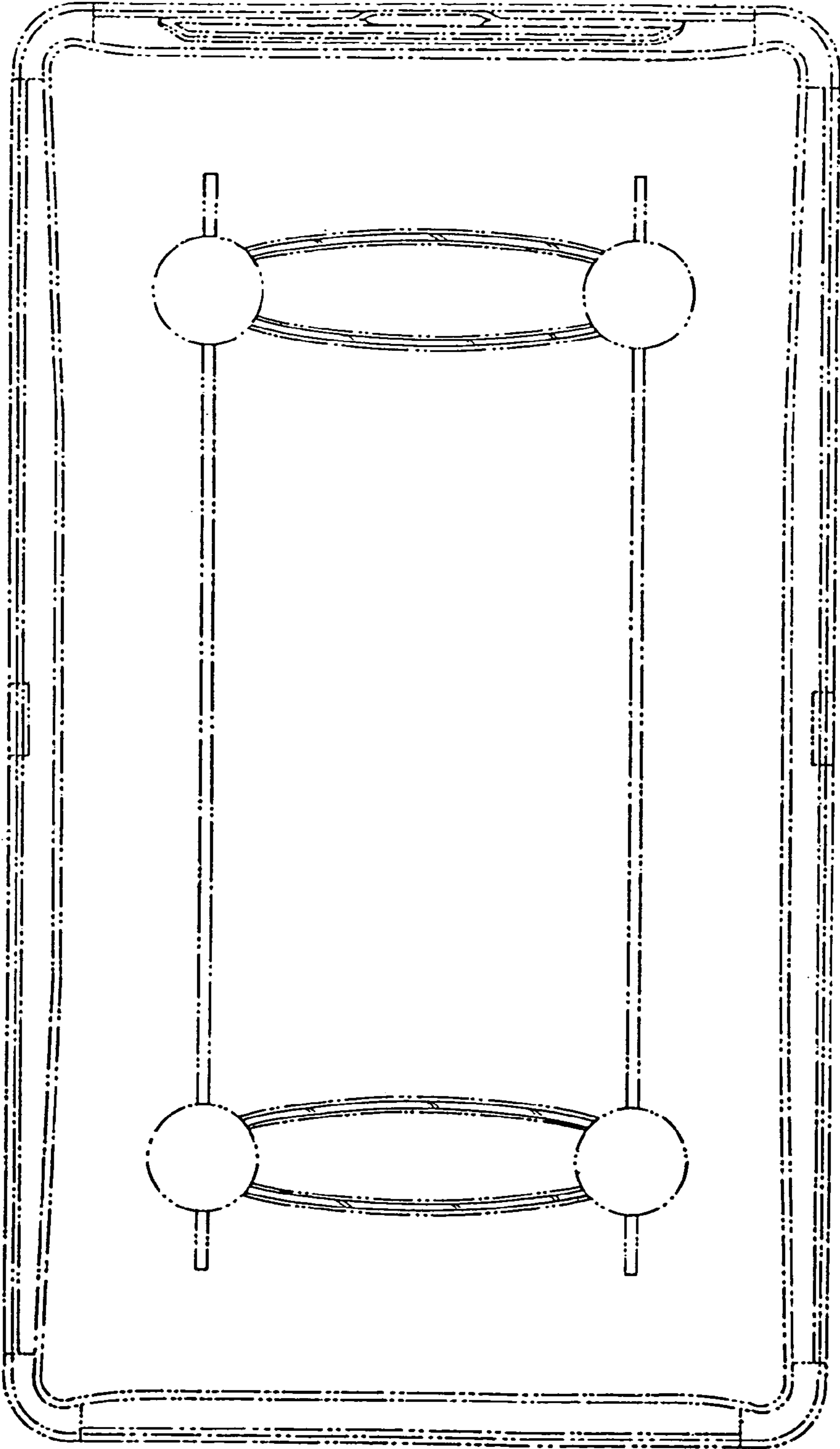


Fig. 8