



US00D597614S

(12) **United States Design Patent**
Goddard

(10) **Patent No.:** **US D597,614 S**

(45) **Date of Patent:** **** Aug. 4, 2009**

(54) **SQUAT BENCH**

(76) **Inventor:** **Robert Goddard**, RR#2 Lyndhurst, 302
Oakleaf Road, Lyndhurst, ON (CA) K0E
1N0

(**) **Term:** **14 Years**

(21) **Appl. No.:** **29/322,076**

(22) **Filed:** **Jul. 29, 2008**

(30) **Foreign Application Priority Data**

Feb. 26, 2008 (CA) 124834

(51) **LOC (9) Cl.** **21-02**

(52) **U.S. Cl.** **D21/691; D21/686**

(58) **Field of Classification Search** D21/662,
D21/686, 691, 694; 482/92, 93, 104, 139,
482/148; D6/495; D34/31

See application file for complete search history.

(56) **References Cited**

U.S. PATENT DOCUMENTS

3,796,169	A *	3/1974	Bales et al.	108/116
D290,033	S *	5/1987	Policastro	D21/691
D356,351	S *	3/1995	Watts	D21/691
D381,715	S *	7/1997	Reeder	D21/691
D495,380	S *	8/2004	Ceppo	D21/686
D495,381	S *	8/2004	Ceppo	D21/686
D504,164	S *	4/2005	Ceppo	D21/686

* cited by examiner

Primary Examiner—Philip S Hyder

(74) *Attorney, Agent, or Firm*—Renner, Otto, Boisselle &
Sklar, LLP

(57) **CLAIM**

The ornamental design for a squat bench, as shown and described.

DESCRIPTION

FIG. 1 is a top perspective view of the squat bench according to my new design.

FIG. 2 is a side view of the squat bench shown in FIG. 1.

FIG. 3 is a front view of the squat bench shown in FIG. 1.

FIG. 4 is a top view of the squat bench shown in FIG. 1.

FIG. 5 is a bottom view of the squat bench shown in FIG. 1.

FIG. 6 is a top perspective view of a variant of the squat bench according to my new design.

FIG. 7 is a side view of the squat bench shown in FIG. 6.

FIG. 8 is a front view of the squat bench shown in FIG. 6.

FIG. 9 is a top view of the squat bench shown in FIG. 6.

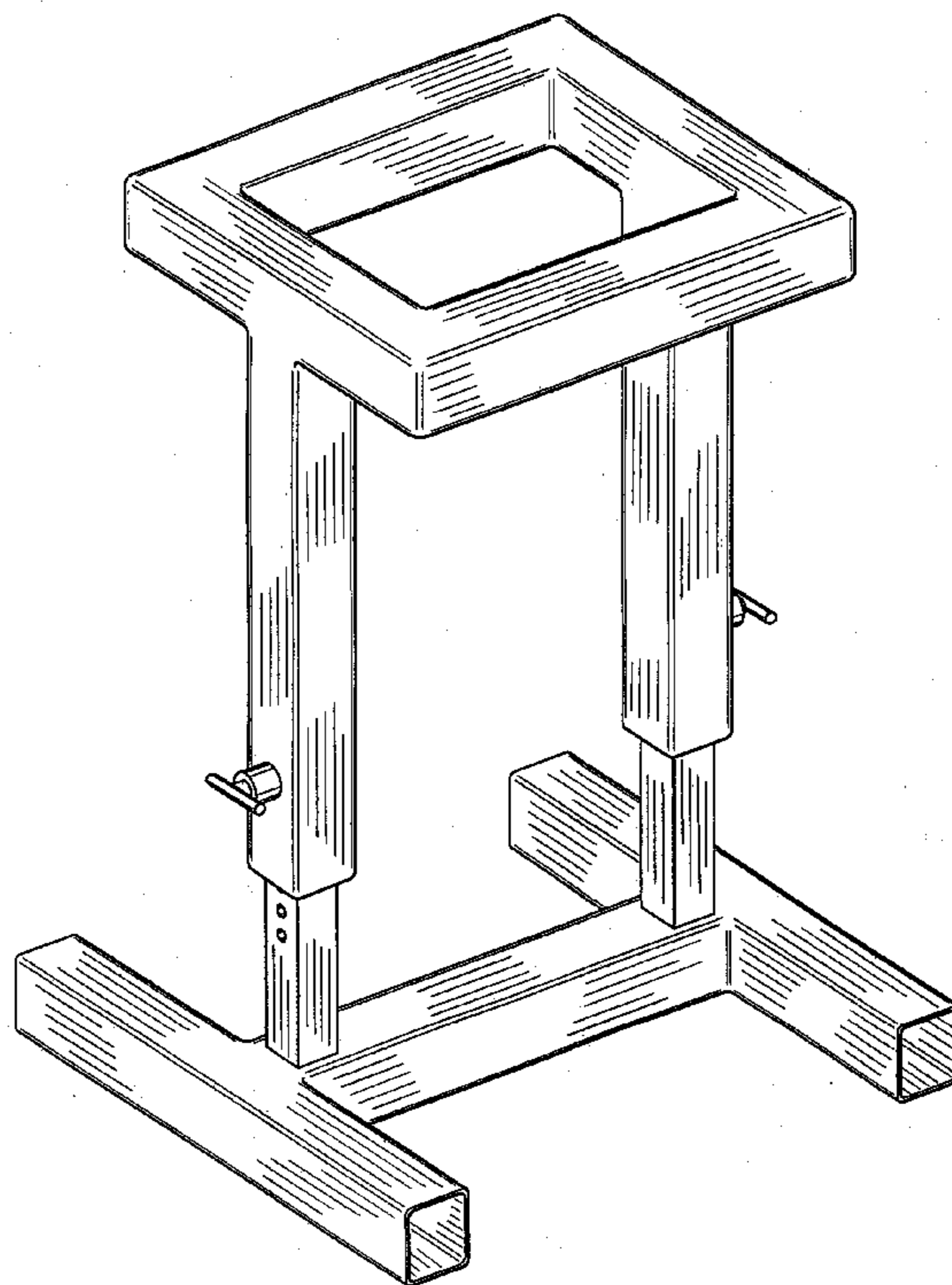
FIG. 10 is a bottom view of the squat bench shown in FIG. 6.

FIG. 11 is a top perspective view of the squat bench shown in FIG. 1 in a lowered position; and,

FIG. 12 is a top perspective view of the squat bench shown in FIG. 1 in a raised position.

The broken lines in FIGS. 6 through 9 illustrate unclaimed portions of the design.

1 Claim, 11 Drawing Sheets



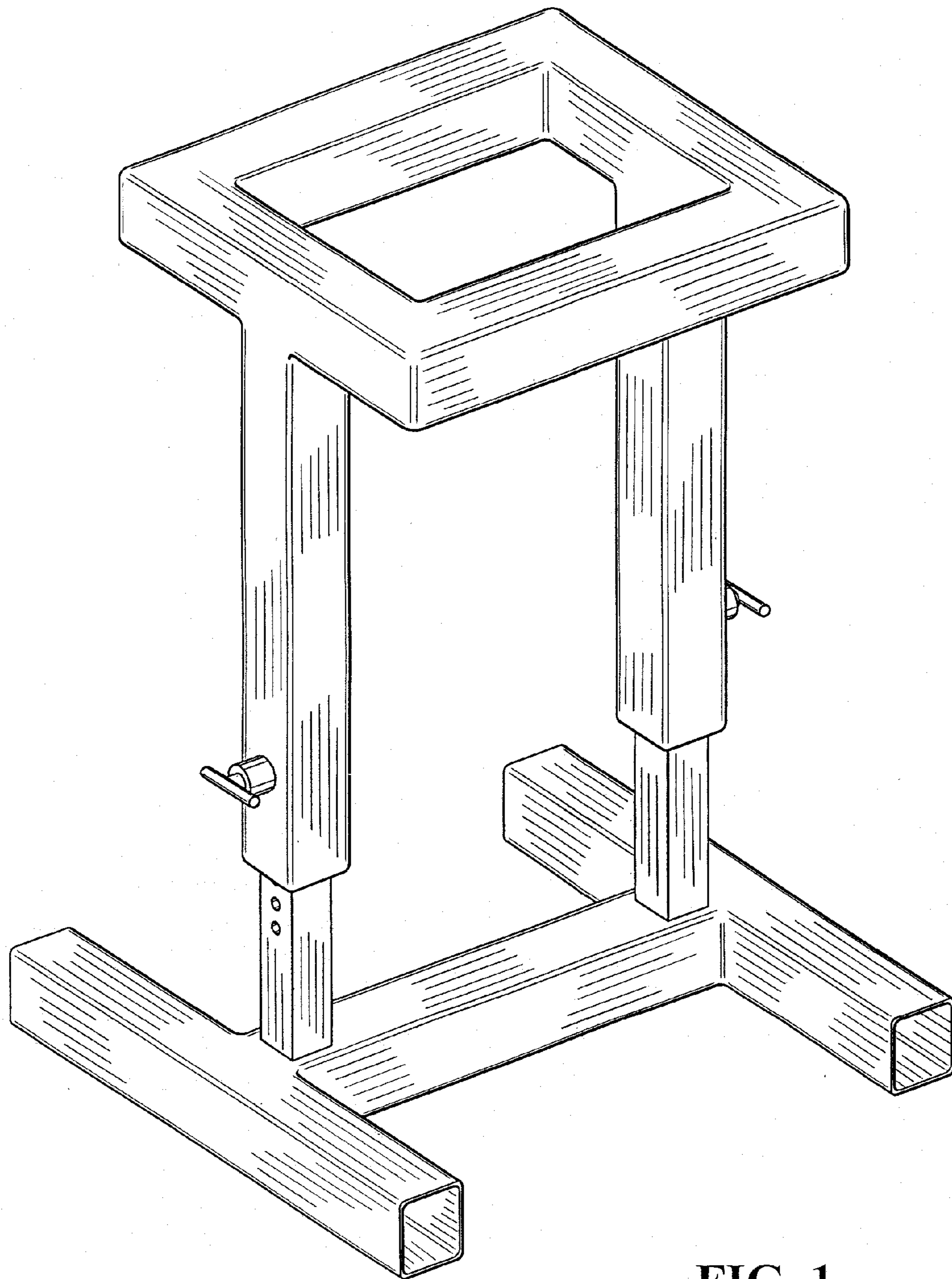


FIG. 1

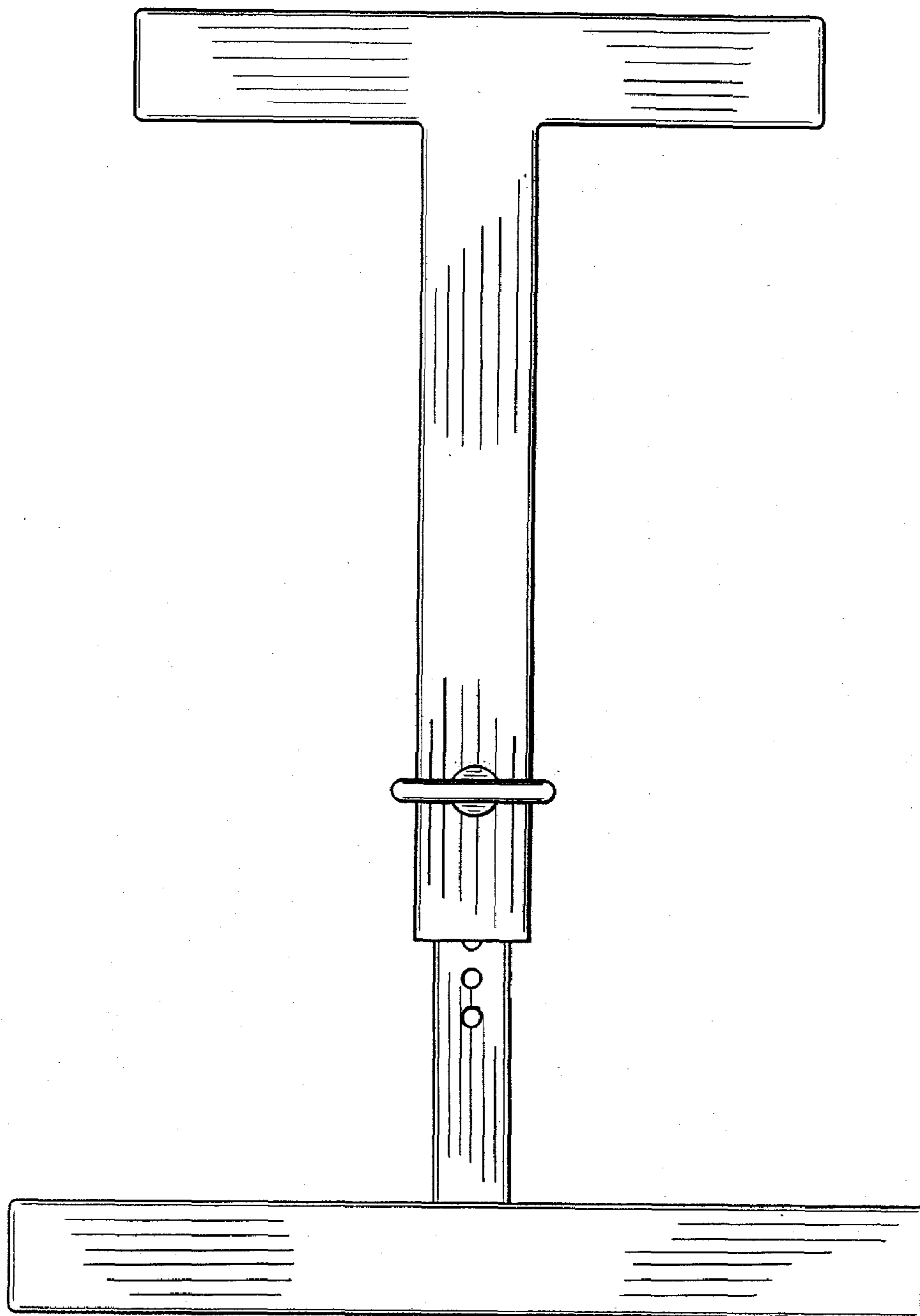


FIG. 2

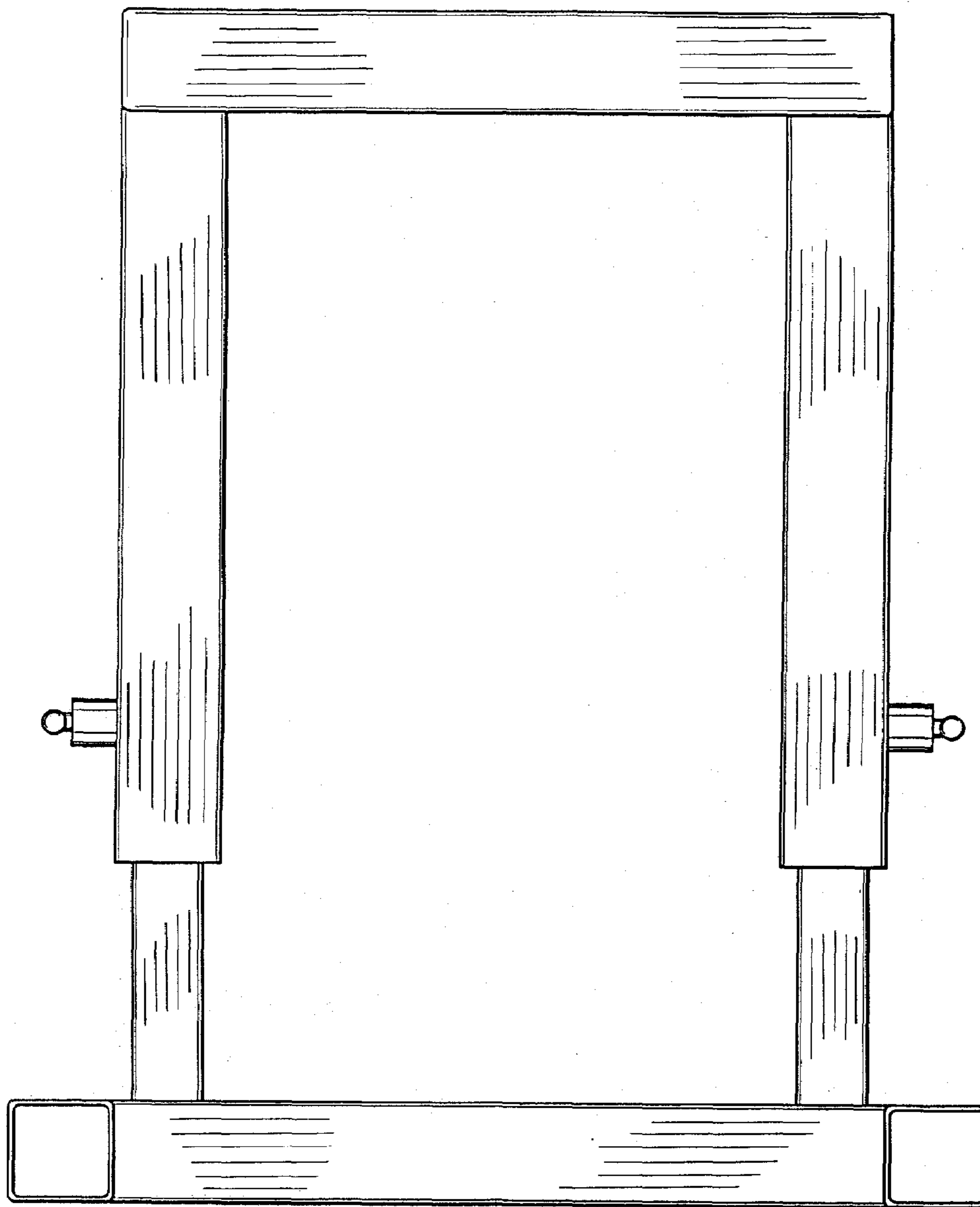


FIG. 3

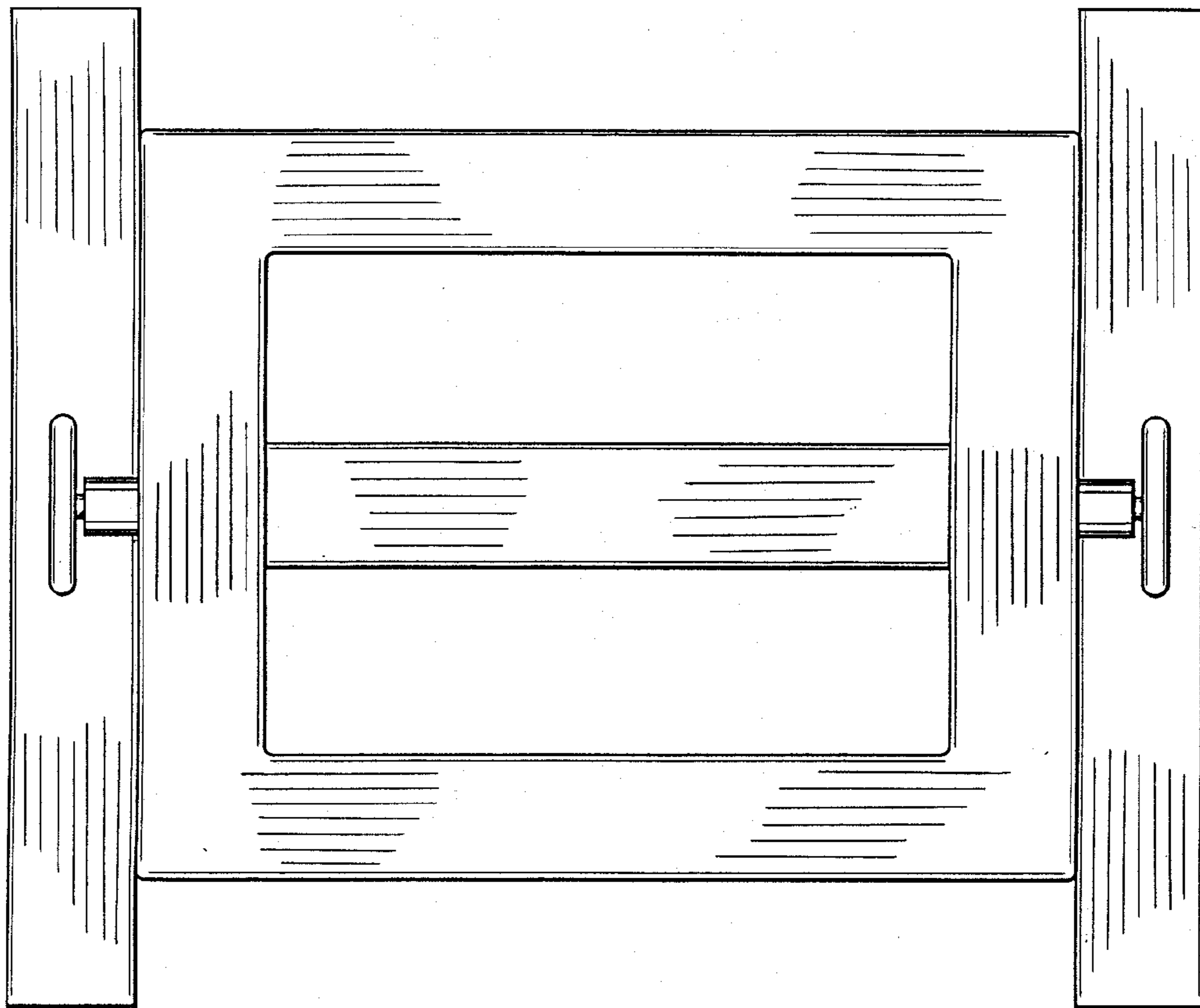


FIG. 4

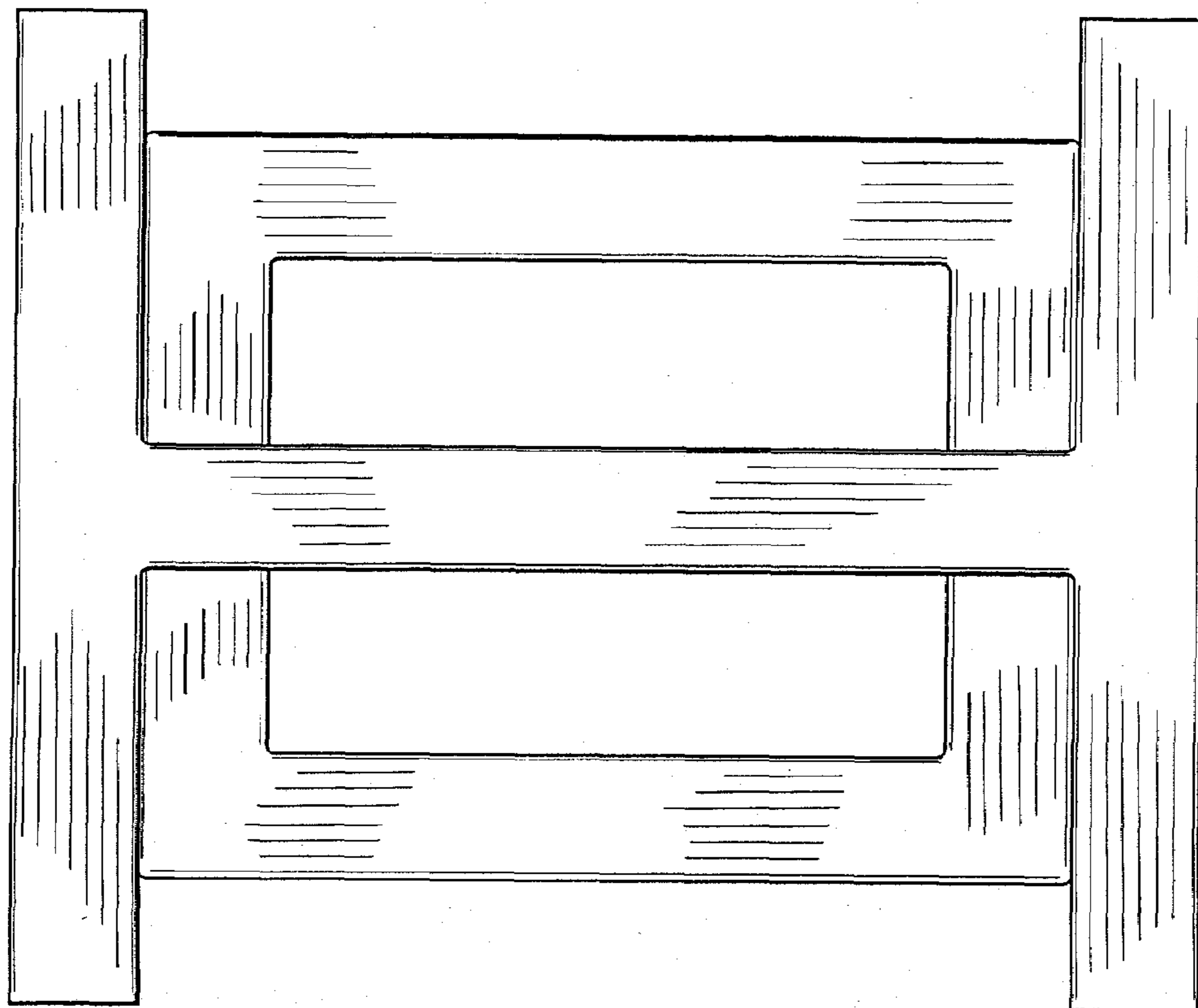


FIG. 5

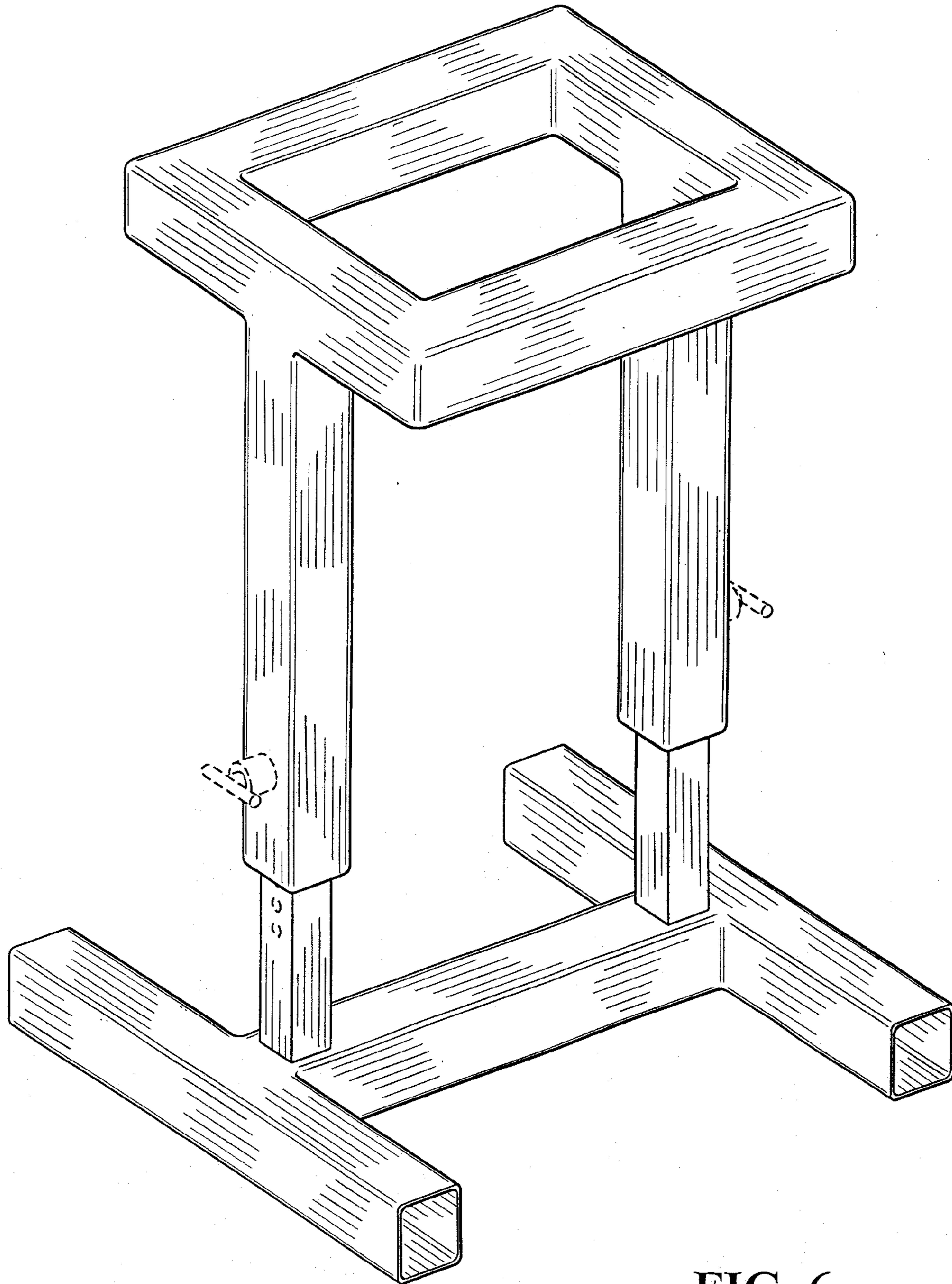


FIG. 6

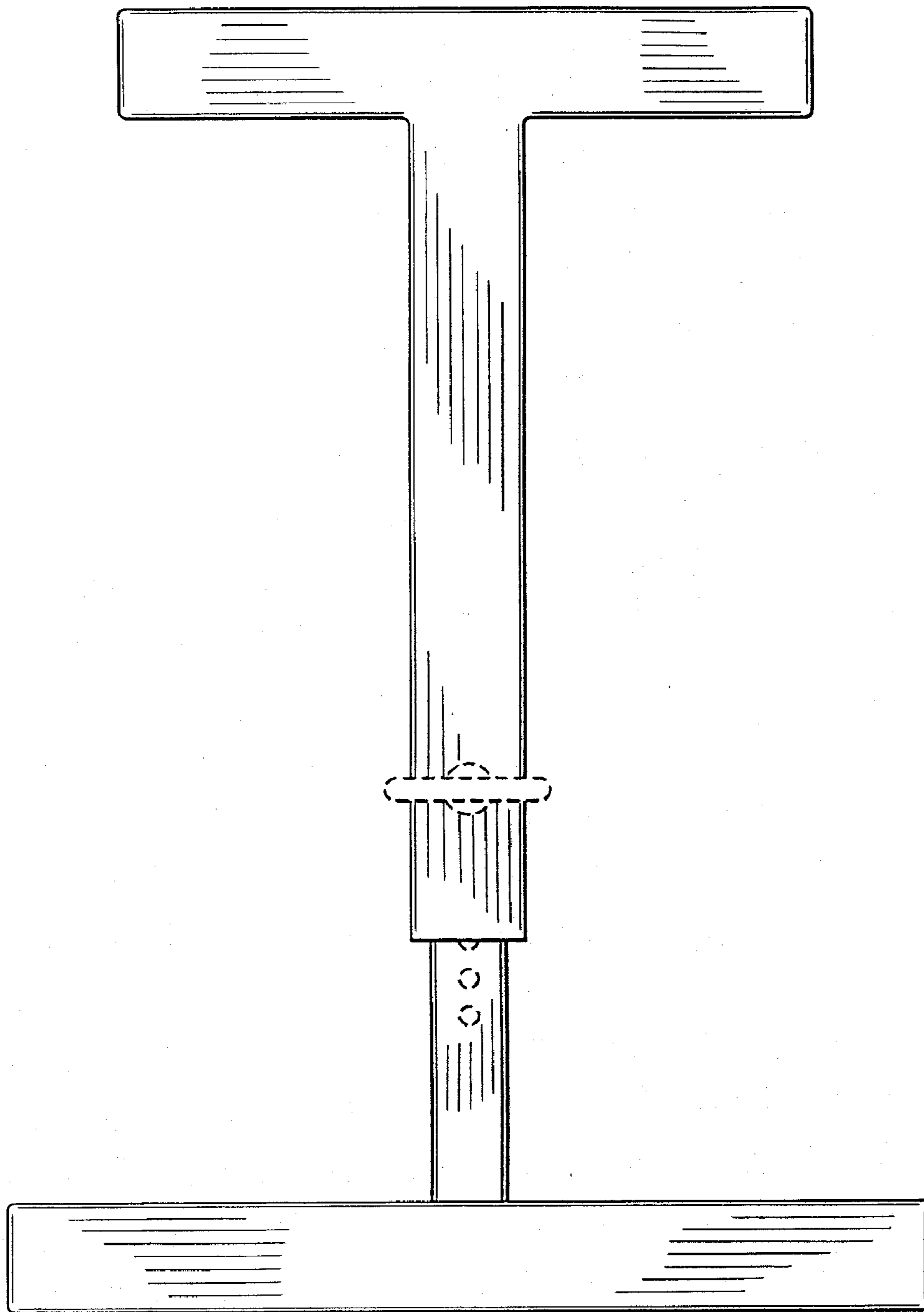


FIG. 7

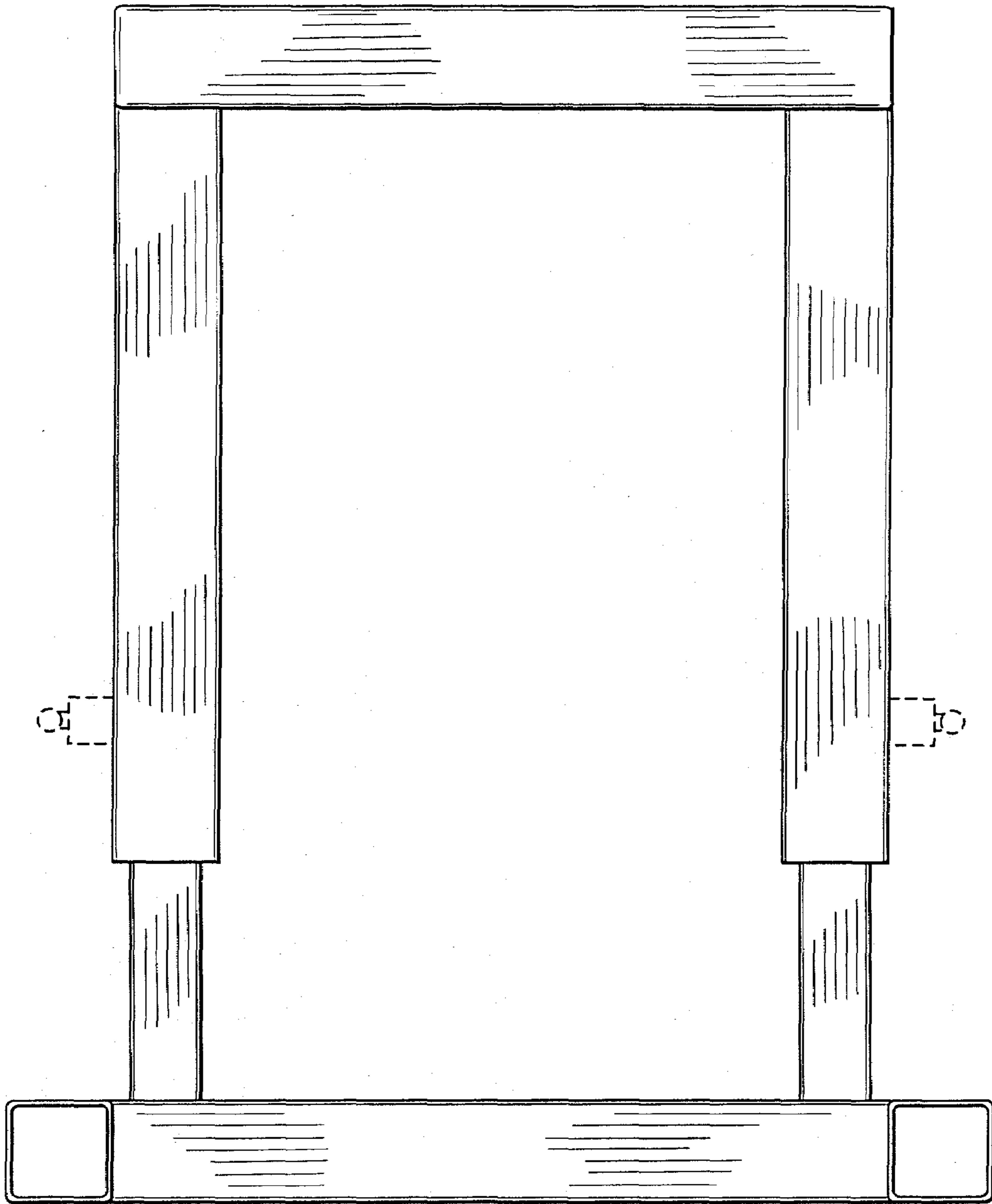


FIG. 8

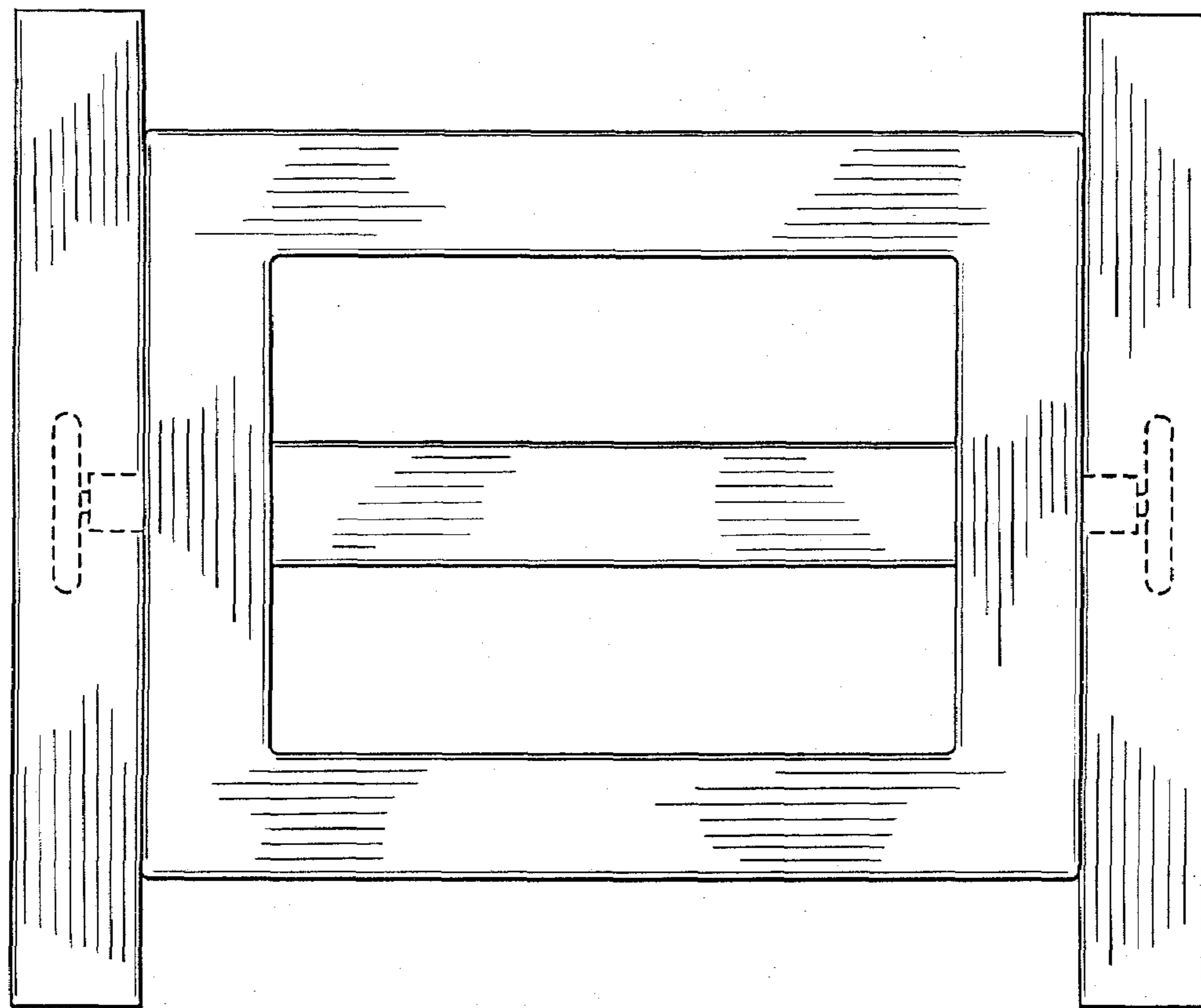


FIG. 9

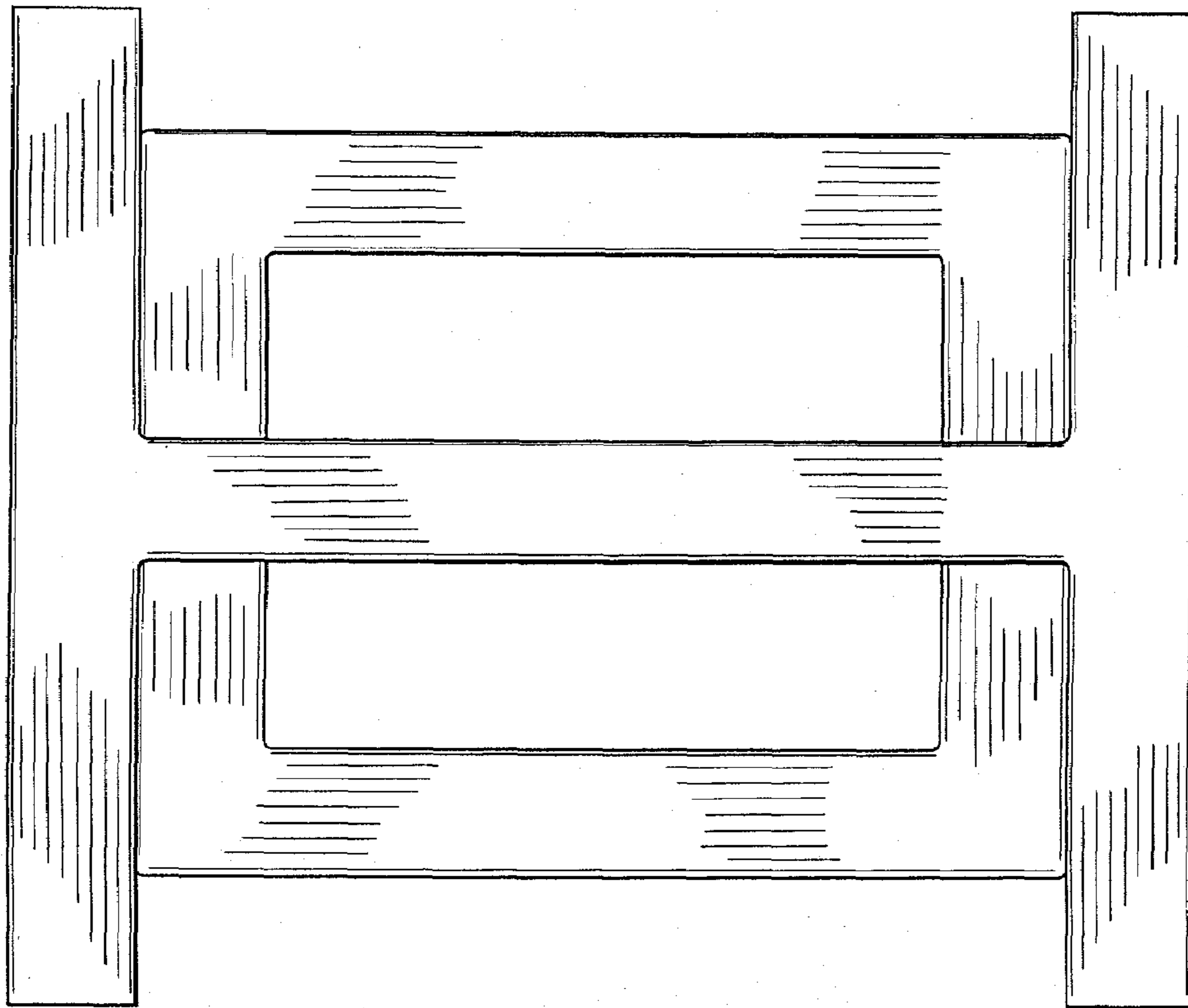


FIG. 10

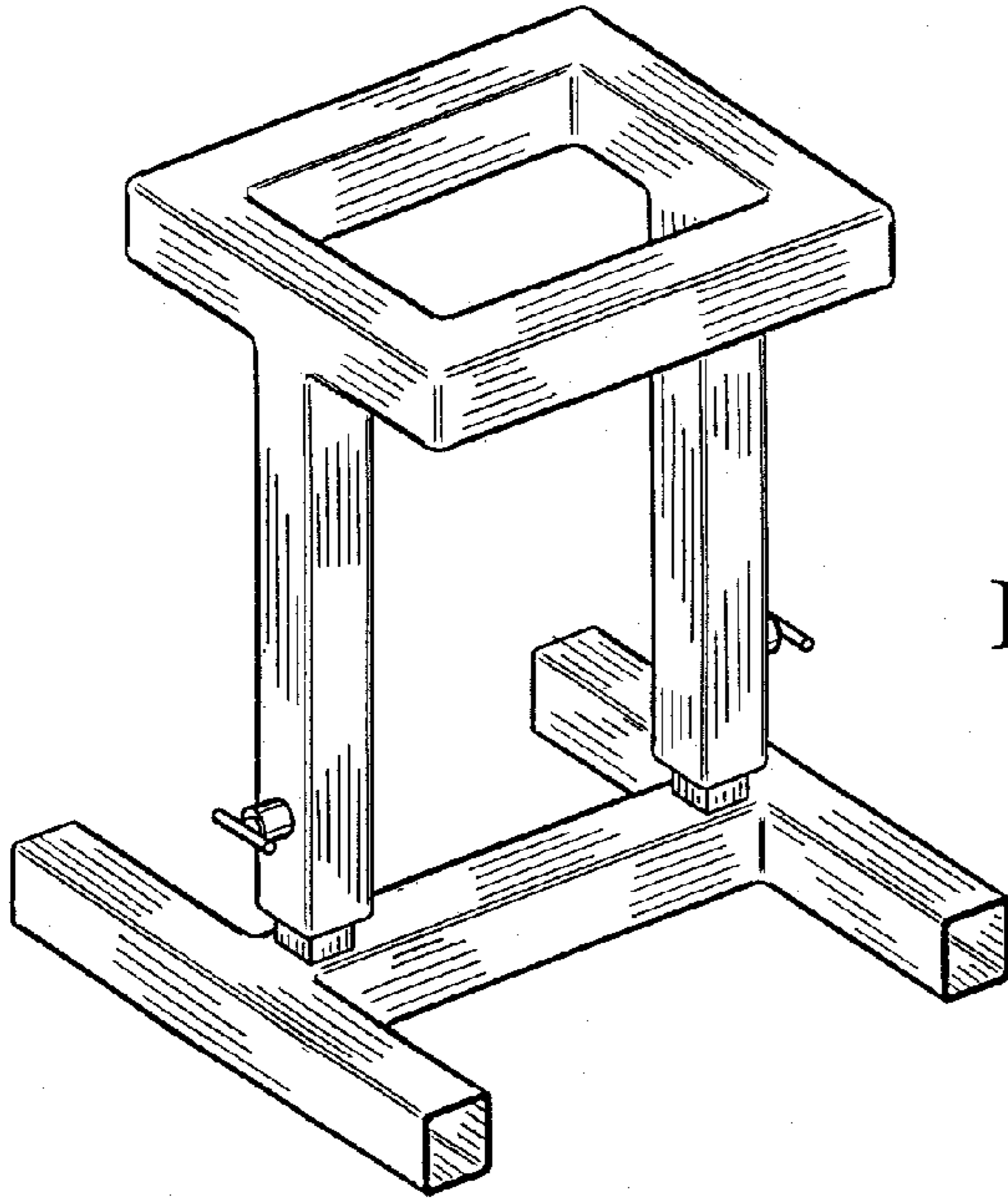


FIG. 11

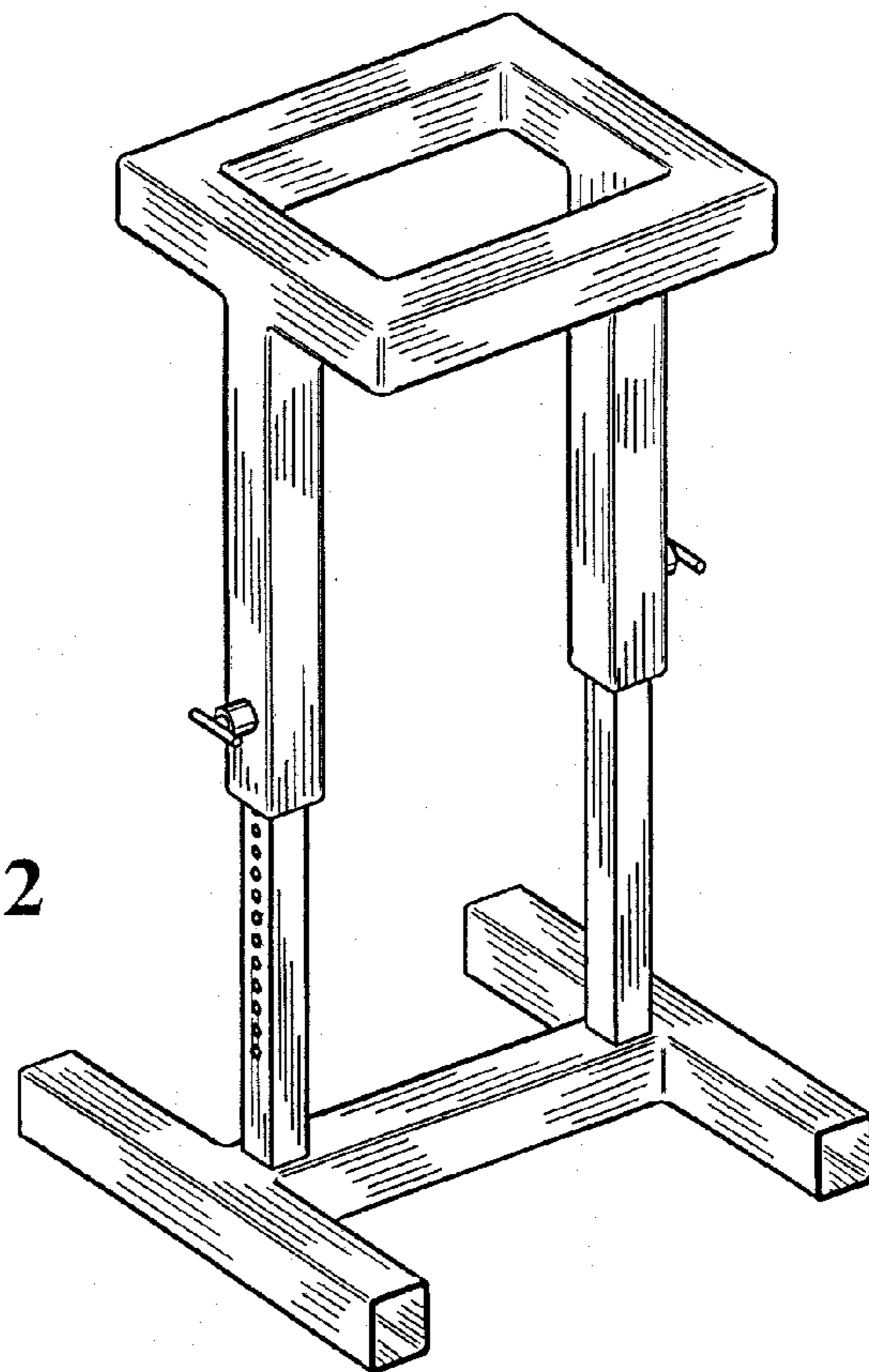


FIG. 12