



US00D597613S

(12) **United States Design Patent**
Hillson

(10) **Patent No.:** **US D597,613 S**

(45) **Date of Patent:** **** Aug. 4, 2009**

(54) **DUMBBELL**

(75) Inventor: **Nicholas Andrew Hillson**, Peterborough (GB)

(73) Assignee: **Escape Fitness Limited**, Peterborough, Cambridgeshire (GB)

(**) Term: **14 Years**

(21) Appl. No.: **29/320,936**

(22) Filed: **Jul. 8, 2008**

(51) **LOC (9) Cl.** **21-02**

(52) **U.S. Cl.** **D21/681**

(58) **Field of Classification Search** D21/679,
D21/680, 681, 682, 683; 482/106, 107, 108,
482/109

See application file for complete search history.

(56) **References Cited**

U.S. PATENT DOCUMENTS

D444,516 S * 7/2001 Pearson et al. D21/681
D496,414 S * 9/2004 Harms et al. D21/681
7,025,713 B2 * 4/2006 Dalebout et al. 482/107
7,048,678 B2 * 5/2006 Harms et al. 482/107

D545,927 S * 7/2007 Lien D21/681
D546,908 S * 7/2007 Lien D21/681
D562,920 S 2/2008 Hillson
D567,311 S 4/2008 Hillson
D574,450 S * 8/2008 Januszek D21/681
2006/0240959 A1 * 10/2006 Huang 482/108

* cited by examiner

Primary Examiner—Philip S Hyder

(74) *Attorney, Agent, or Firm*—Richard M. Goldberg

(57) **CLAIM**

The ornamental design for a dumbbell, as shown.

DESCRIPTION

FIG. 1 is a perspective view of a dumbbell of my design;

FIG. 2 is a front elevational view thereof;

FIG. 3 is a rear elevational view thereof;

FIG. 4 is a top plan view thereof;

FIG. 5 is a bottom plan view thereof;

FIG. 6 is a left end elevational view thereof; and,

FIG. 7 is a right end elevational view thereof.

1 Claim, 7 Drawing Sheets

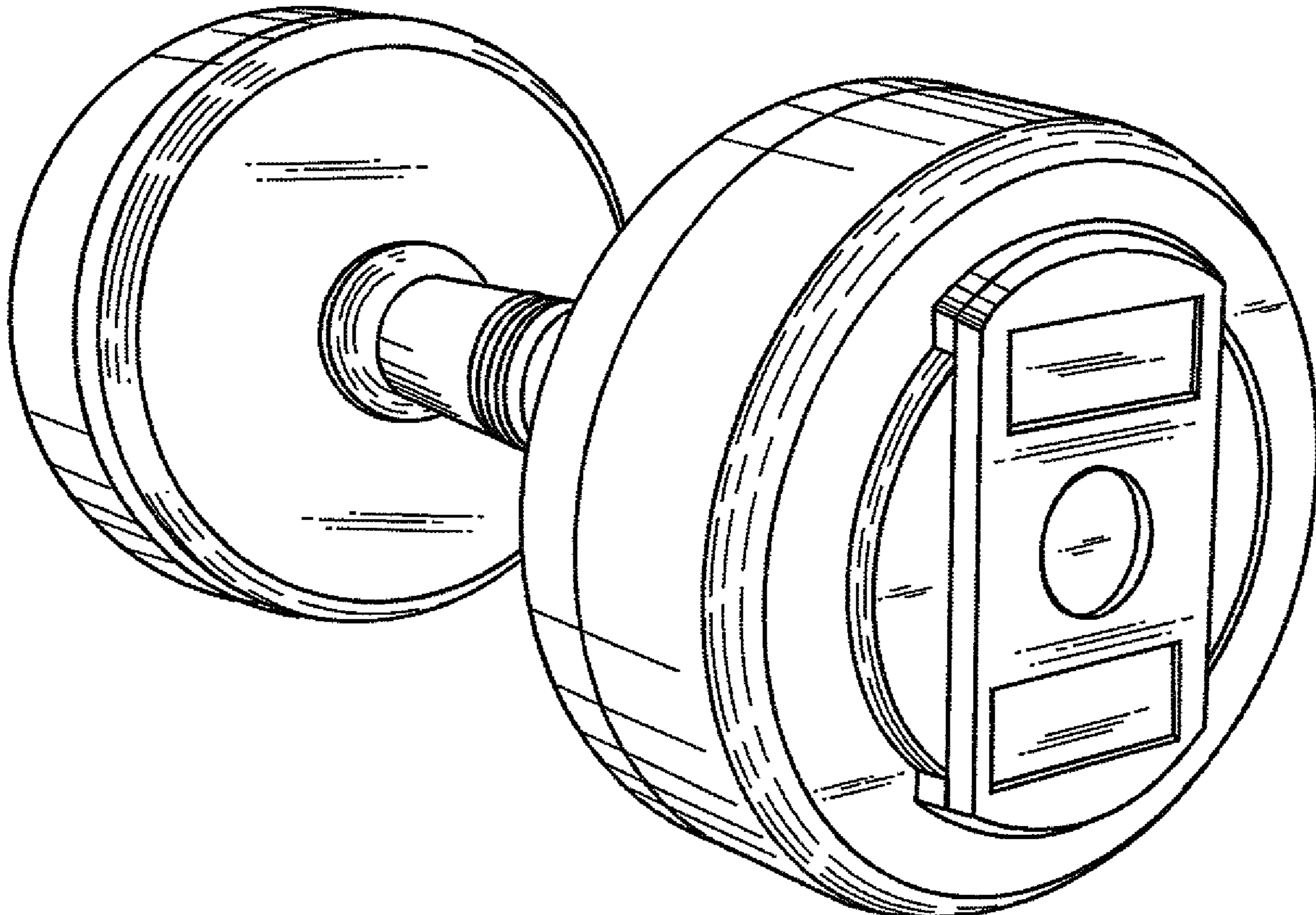


FIG. 1

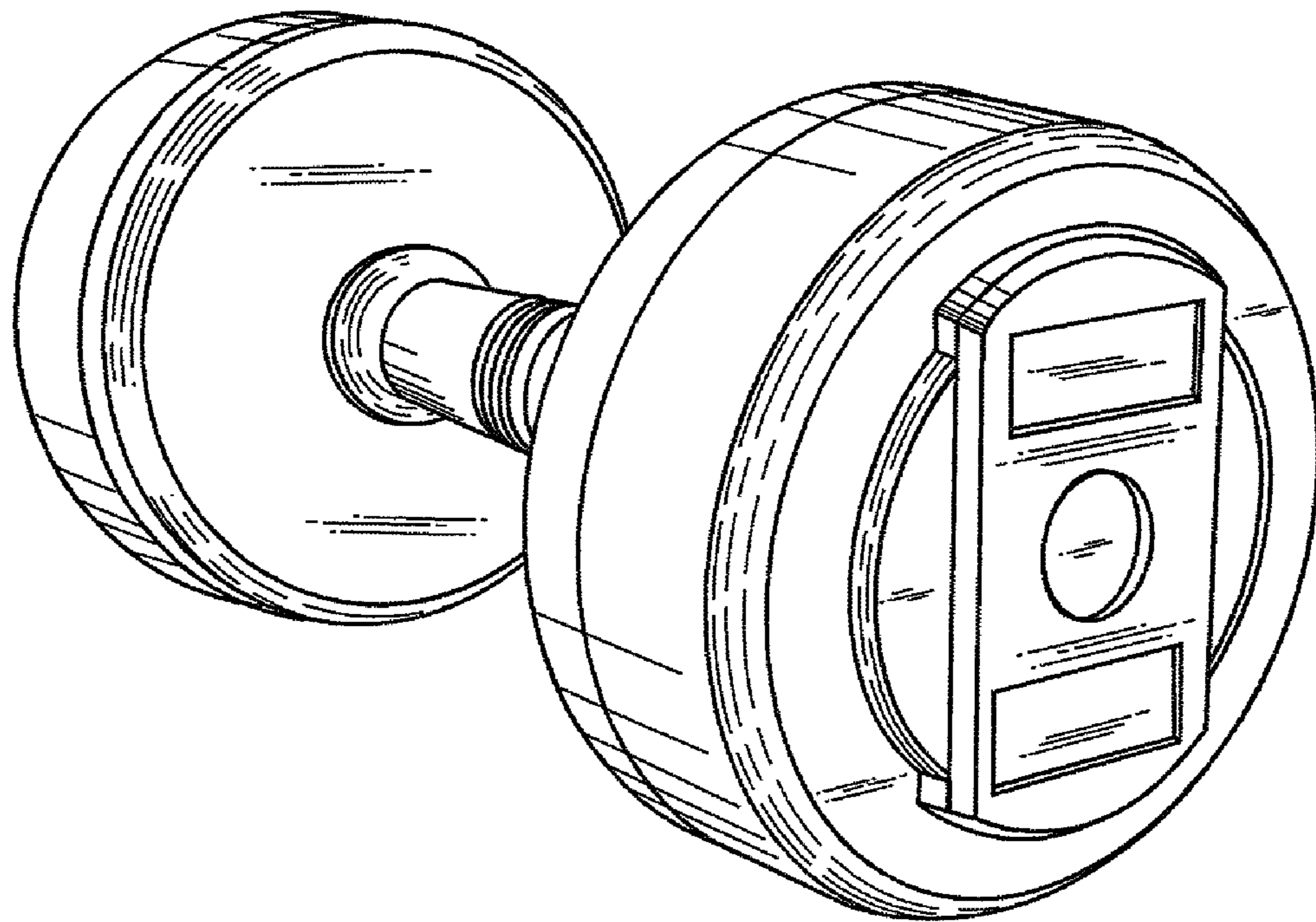


FIG. 2

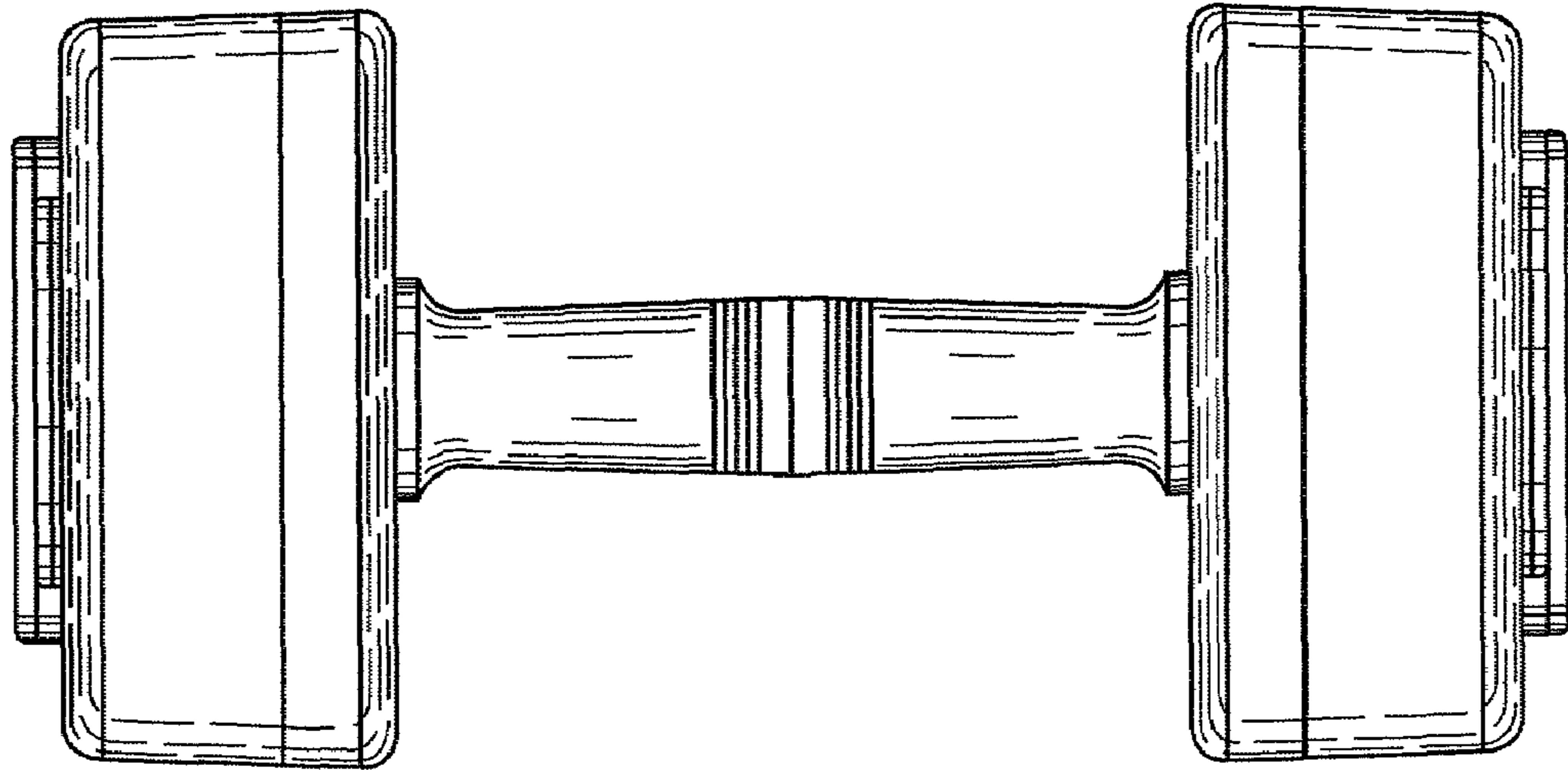


FIG. 3

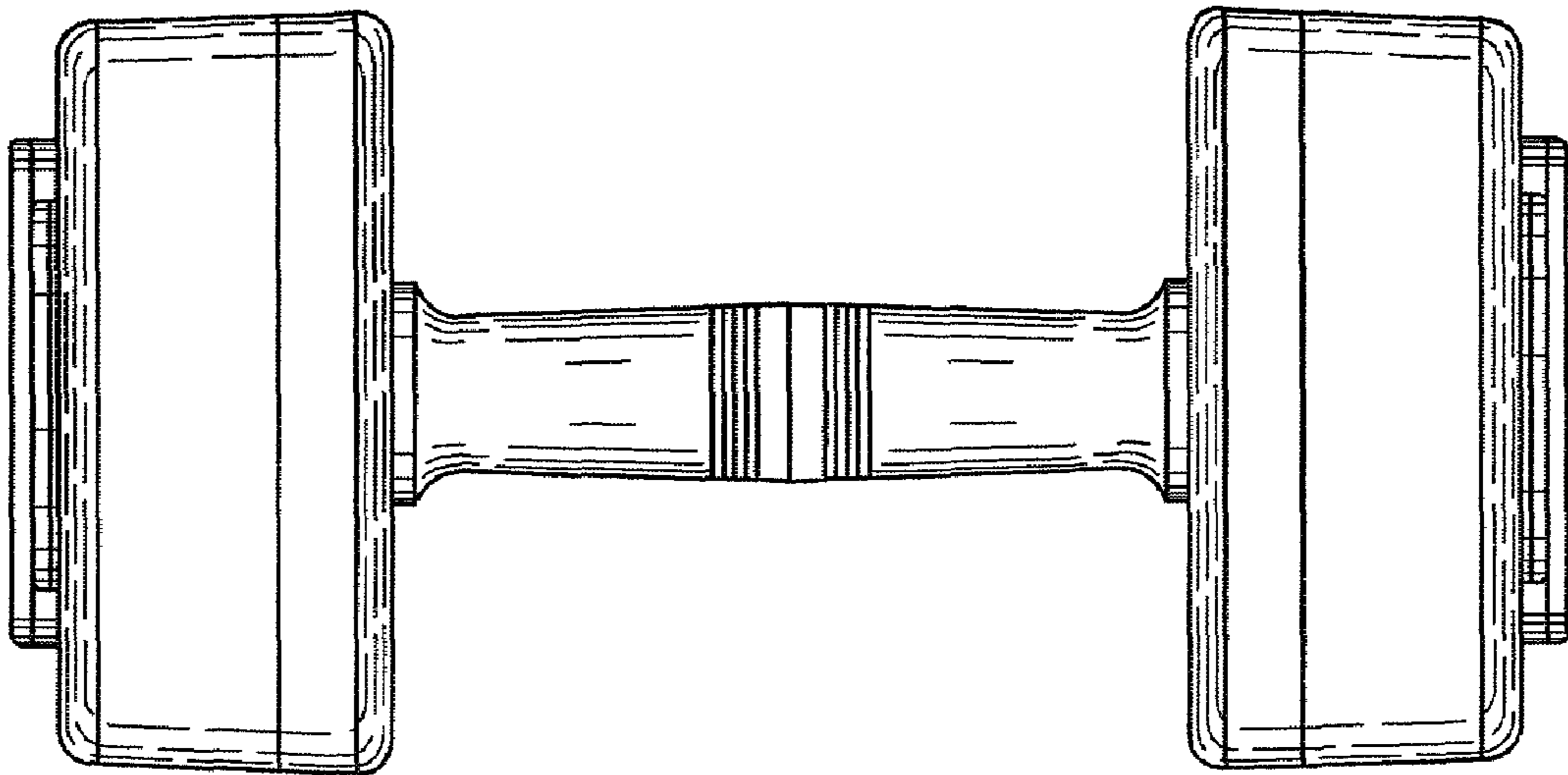


FIG. 4

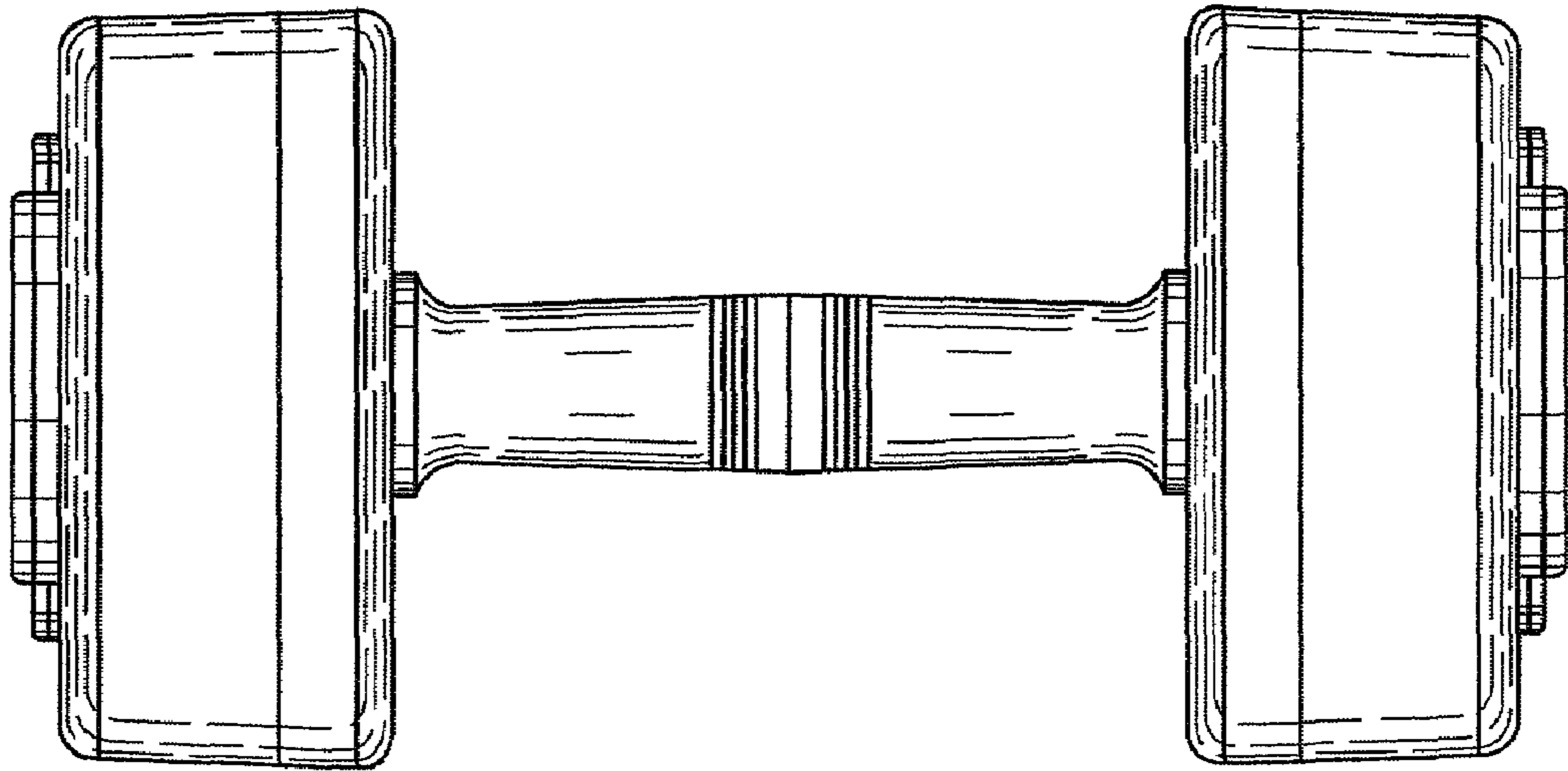


FIG. 5

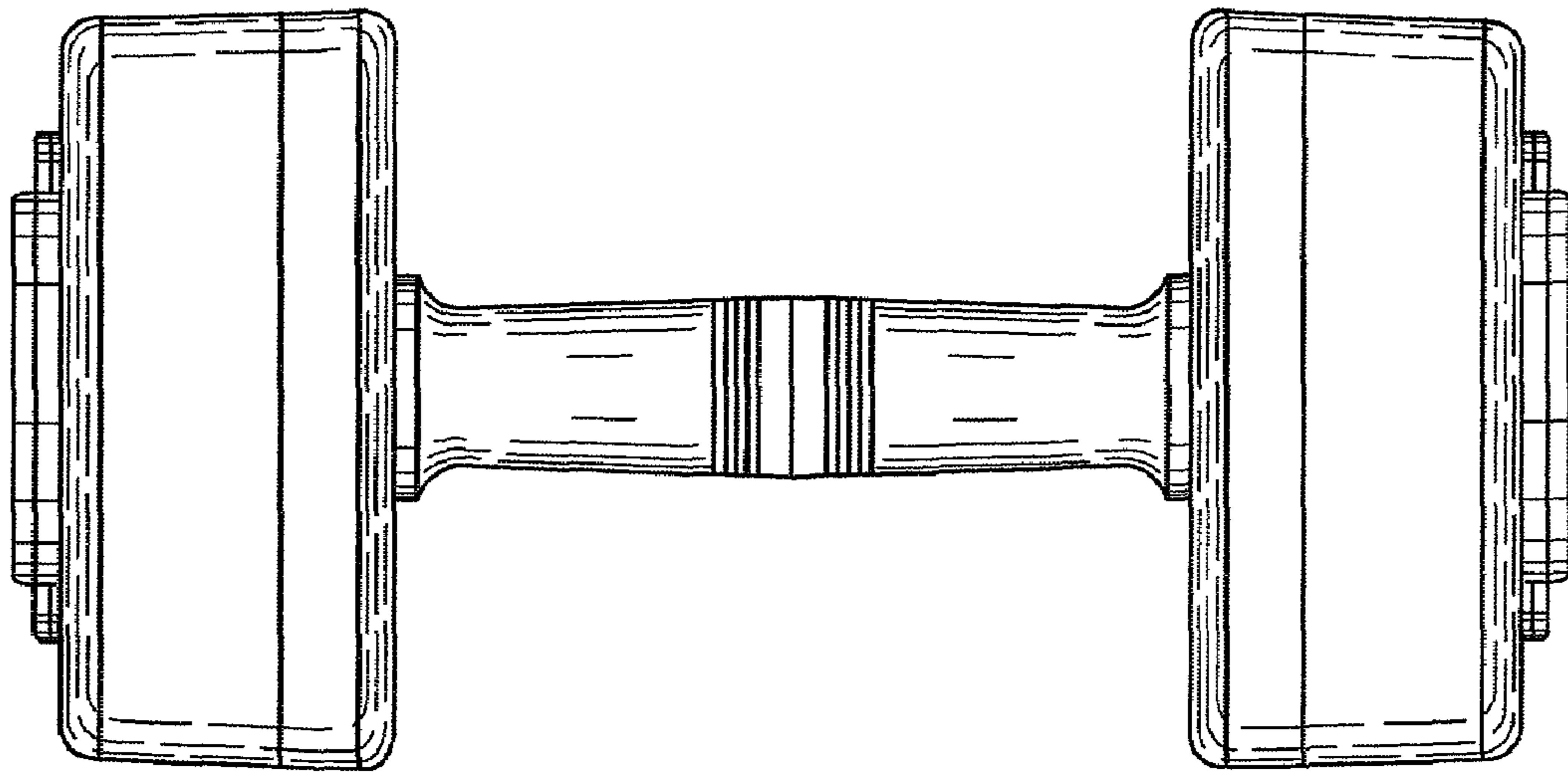


FIG. 6

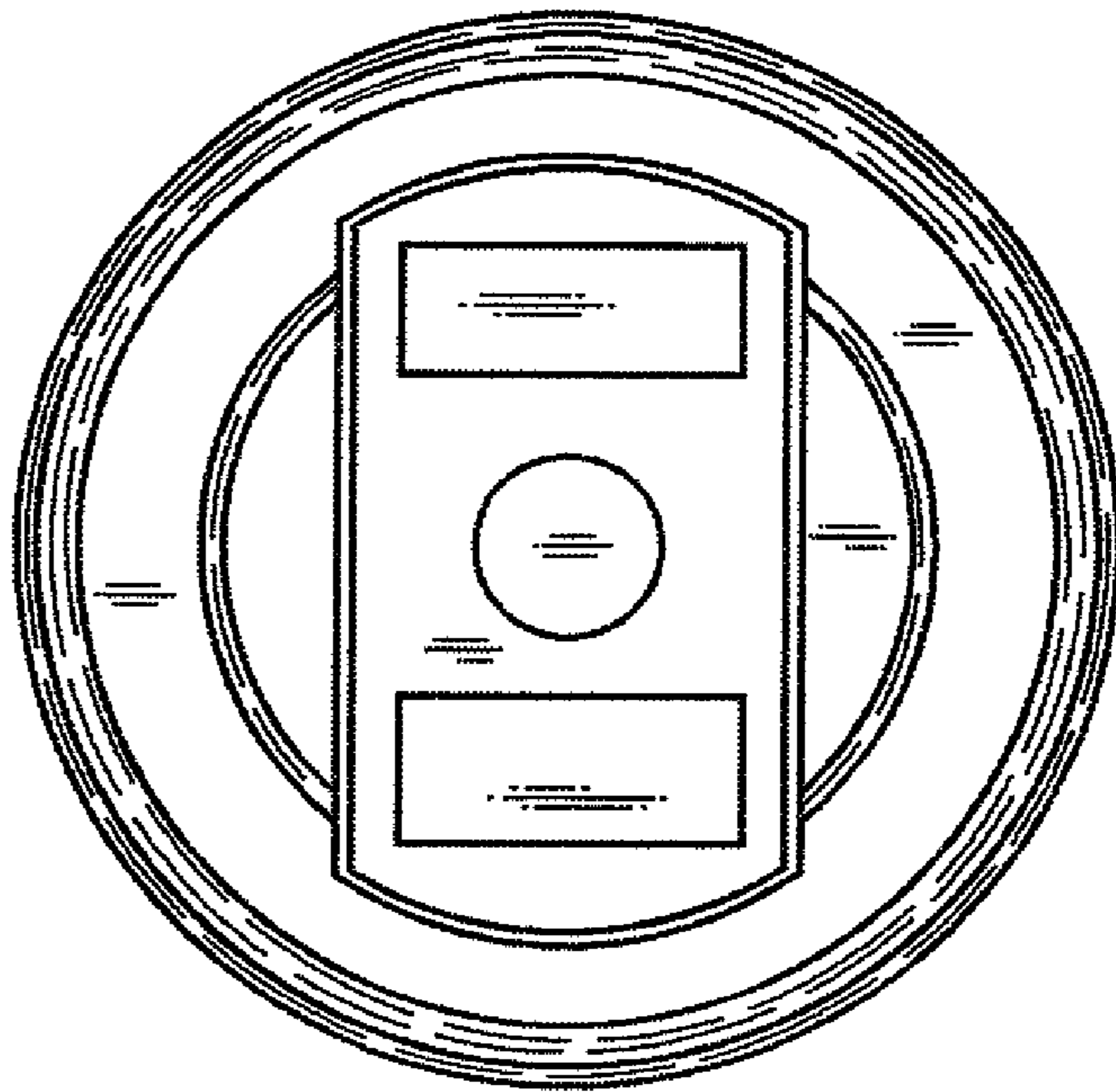


FIG. 7

