



US00D597612S

(12) **United States Design Patent**
Lien

(10) **Patent No.:** **US D597,612 S**

(45) **Date of Patent:** **** Aug. 4, 2009**

(54) **BARBELL/DUMBBELL**

(75) Inventor: **Louis Lien**, Bellaire, TX (US)

(73) Assignee: **USA Sports, Inc.**, Houston, TX (US)

(**) Term: **14 Years**

(21) Appl. No.: **29/305,301**

(22) Filed: **Mar. 18, 2008**

(51) **LOC (9) Cl.** **21-02**

(52) **U.S. Cl.** **D21/681**

(58) **Field of Classification Search** D21/662,
D21/680, 681, 683, 684; 482/105, 106, 107,
482/108

See application file for complete search history.

(56) **References Cited**

U.S. PATENT DOCUMENTS

D355,007	S	*	1/1995	Rojas et al.	D21/681
6,099,443	A	*	8/2000	Landfair	482/108
6,120,420	A	*	9/2000	Pearson et al.	482/108
D444,516	S	*	7/2001	Pearson et al.	D21/681
D496,414	S	*	9/2004	Harms et al.	D21/681
D504,923	S	*	5/2005	Harms et al.	D21/681
D509,266	S	*	9/2005	Golliher	D21/566
7,048,678	B2	*	5/2006	Harms et al.	482/107
D545,927	S	*	7/2007	Lien	D21/681
D546,908	S	*	7/2007	Lien	D21/681

* cited by examiner

Primary Examiner—Philip S Hyder

(74) *Attorney, Agent, or Firm*—Nick A. Nichols, Jr.

(57) **CLAIM**

The ornamental design for a barbell/dumbbell, as shown and described.

DESCRIPTION

FIG. 1 is a perspective view of a first embodiment of a barbell/dumbbell showing my new design;

FIG. 2 is an end view thereof, the opposite end being a mirror image;

FIG. 3 is a top view thereof taken from above FIG. 1;

FIG. 4 is a bottom view thereof taken from below FIG. 1;

FIG. 5 is a perspective view of a second embodiment of a barbell/dumbbell showing my new design;

FIG. 6 is an end view thereof, the opposite end being a mirror image;

FIG. 7 is a top view thereof taken from above FIG. 5, the bottom view thereof being a mirror image;

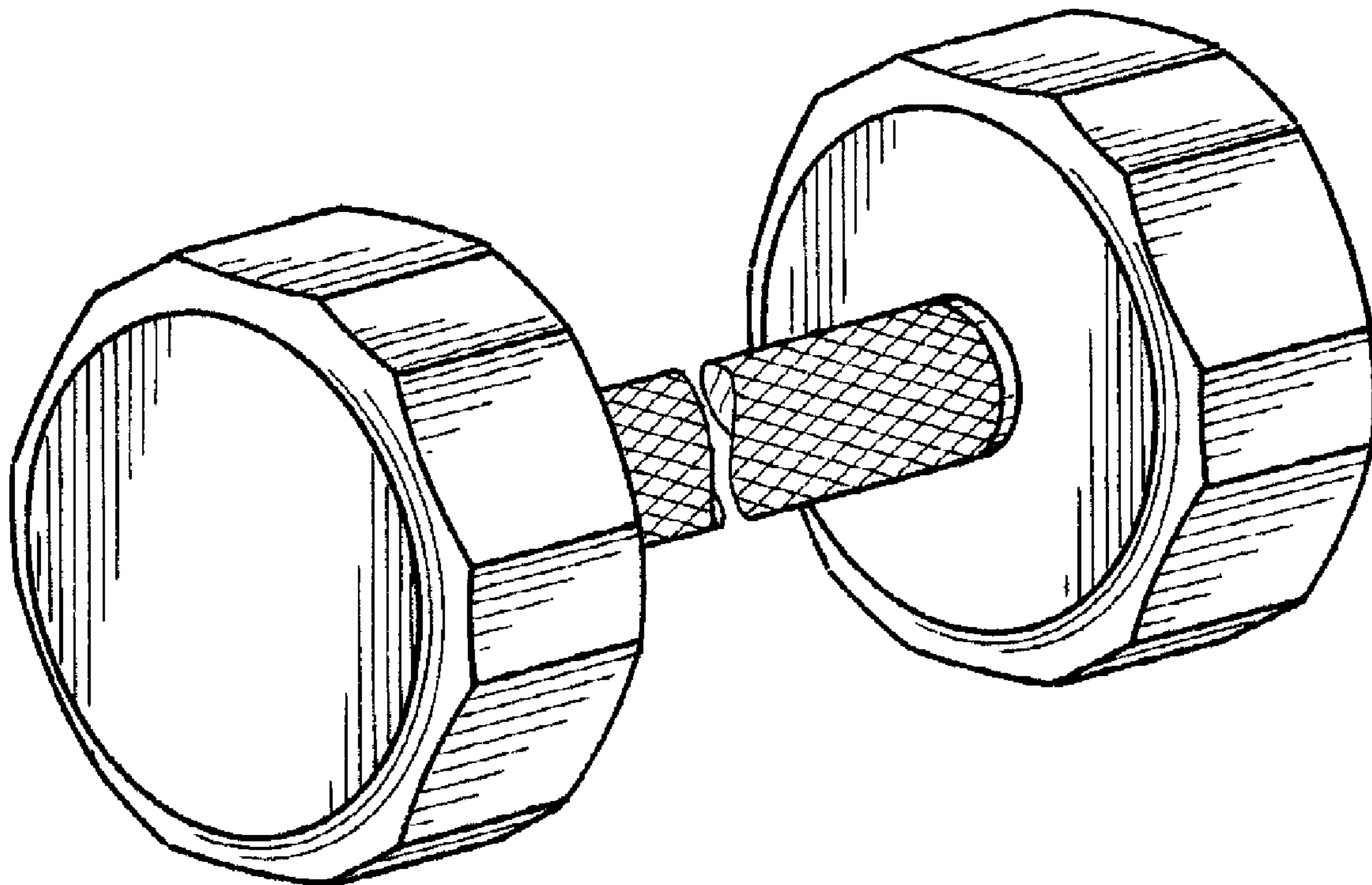
FIG. 8 is a perspective view of a third embodiment of a barbell/dumbbell showing my new design;

FIG. 9 is an end view thereof, the opposite end being a mirror image;

FIG. 10 is a top view thereof taken from above FIG. 8; and,

FIG. 11 is a bottom view thereof taken from below FIG. 8.

1 Claim, 3 Drawing Sheets



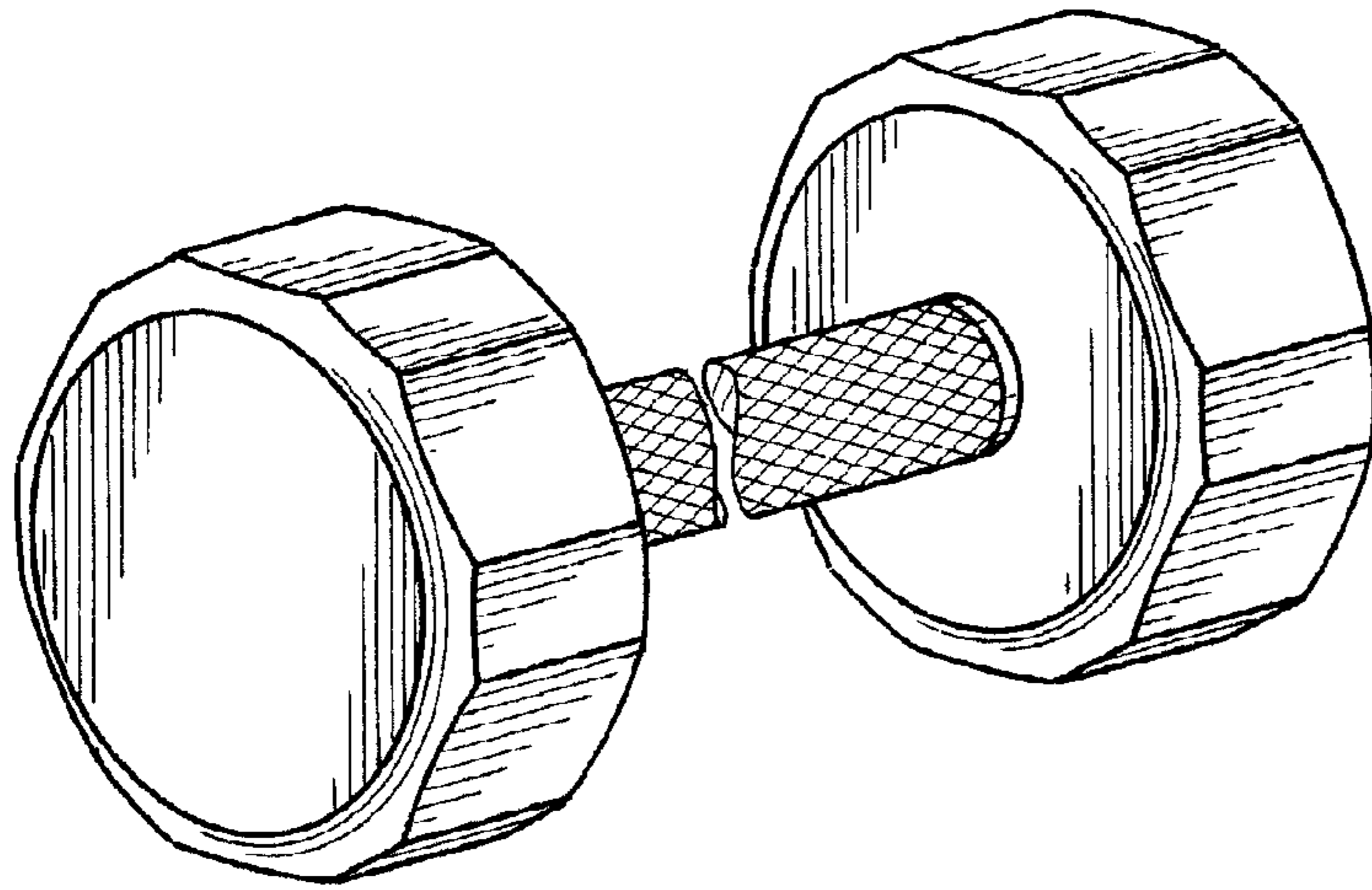


FIG. 1

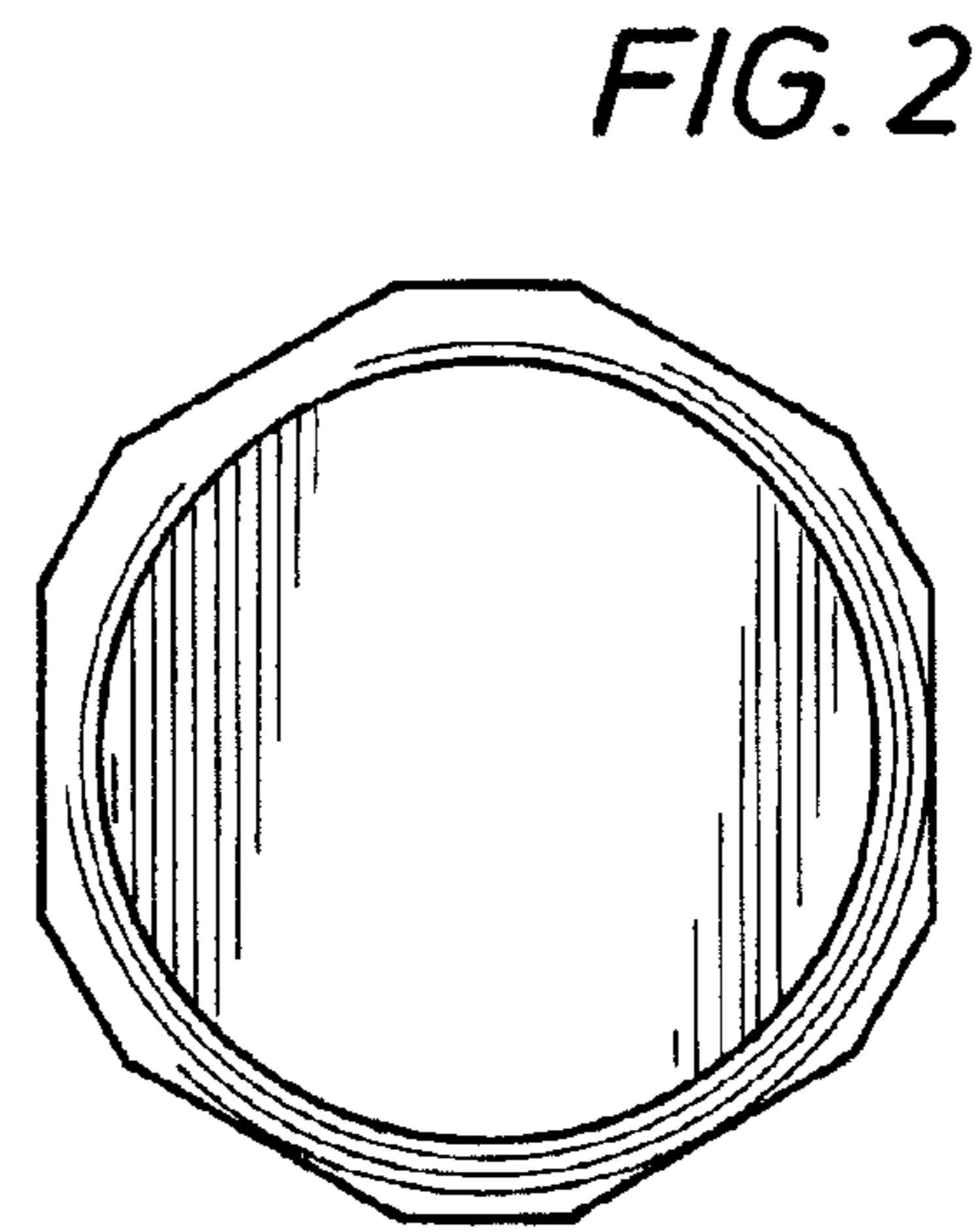


FIG. 2

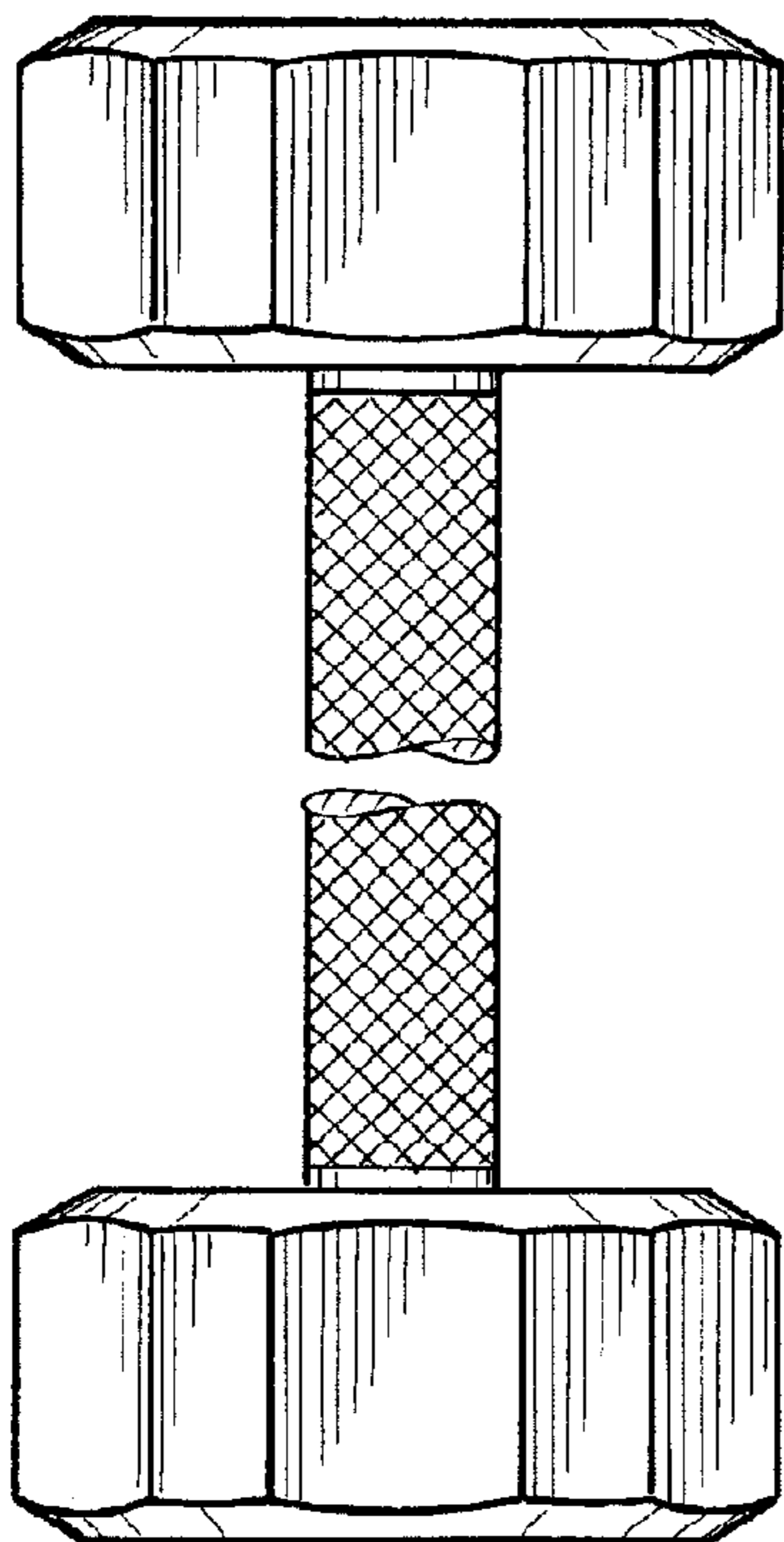


FIG. 3

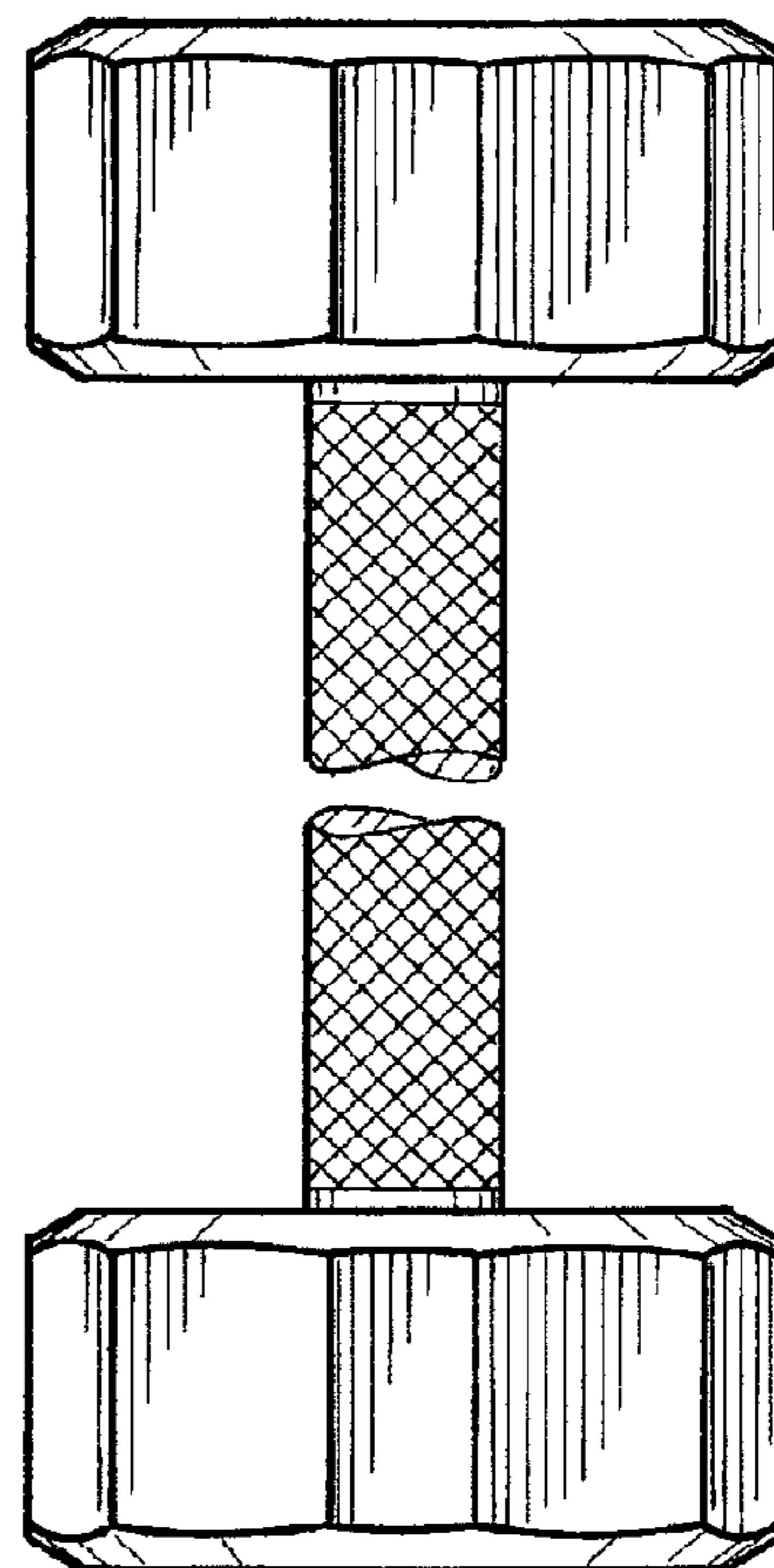


FIG. 4

FIG. 5

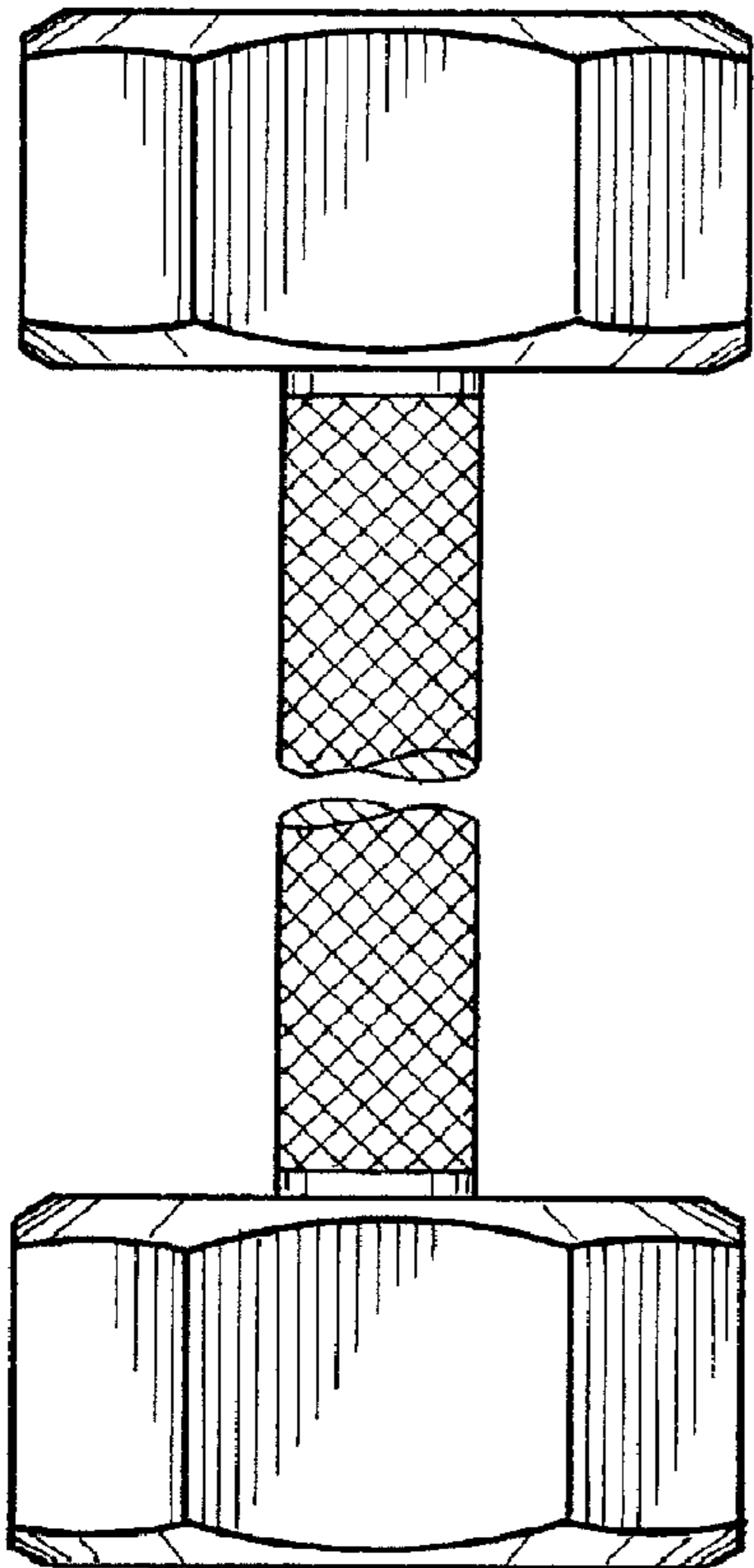
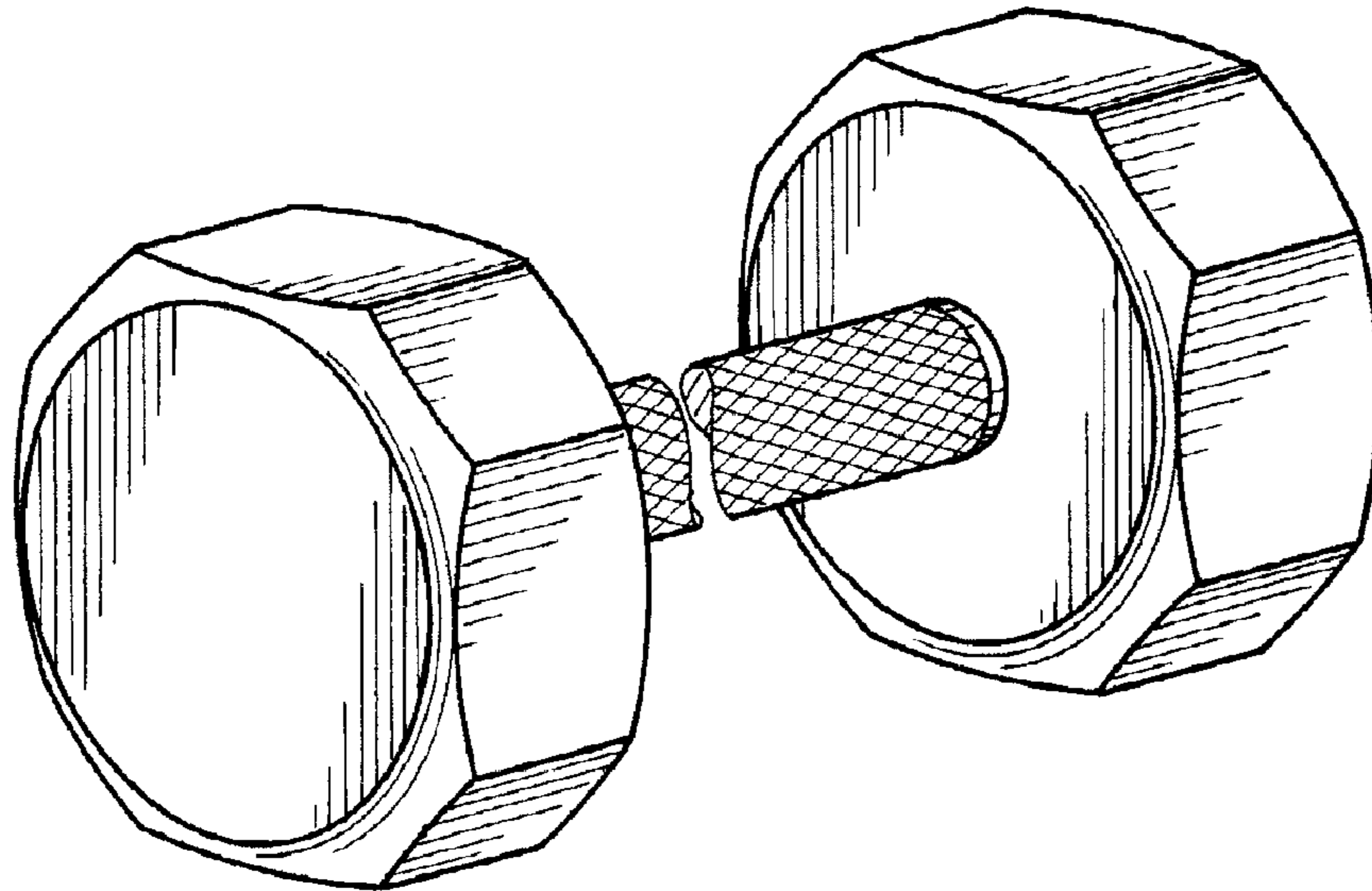


FIG. 6

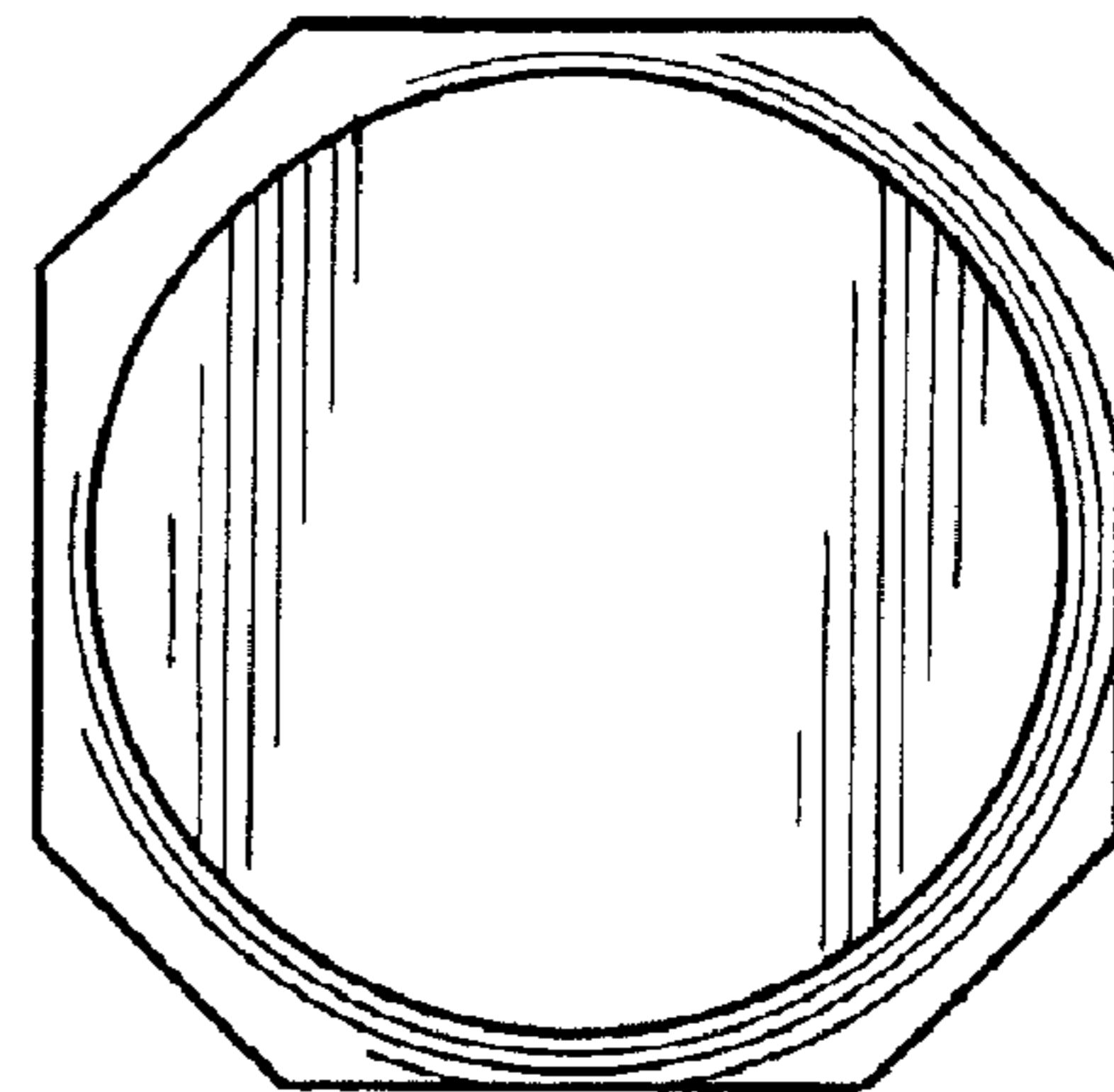


FIG. 7

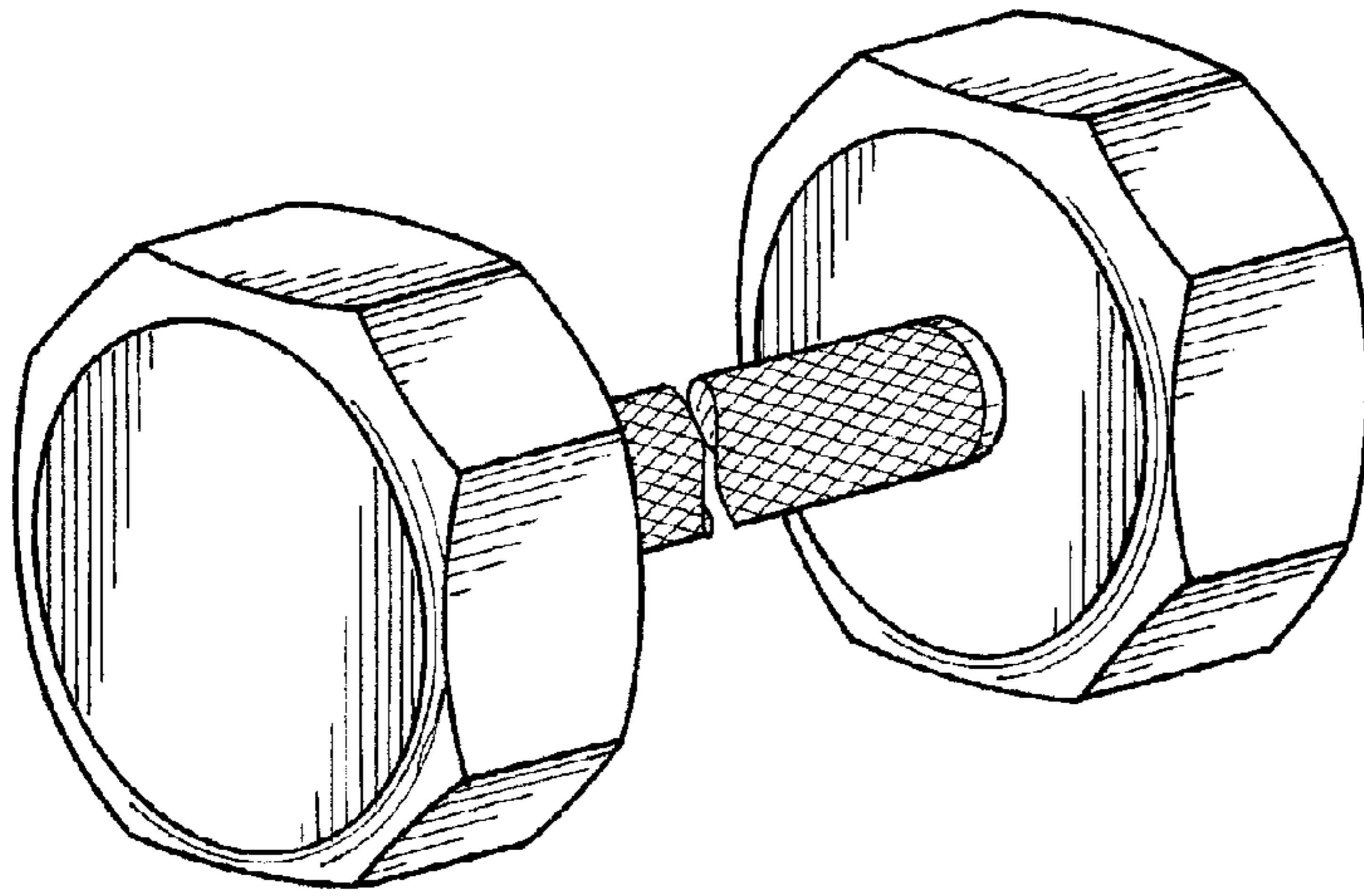


FIG. 8

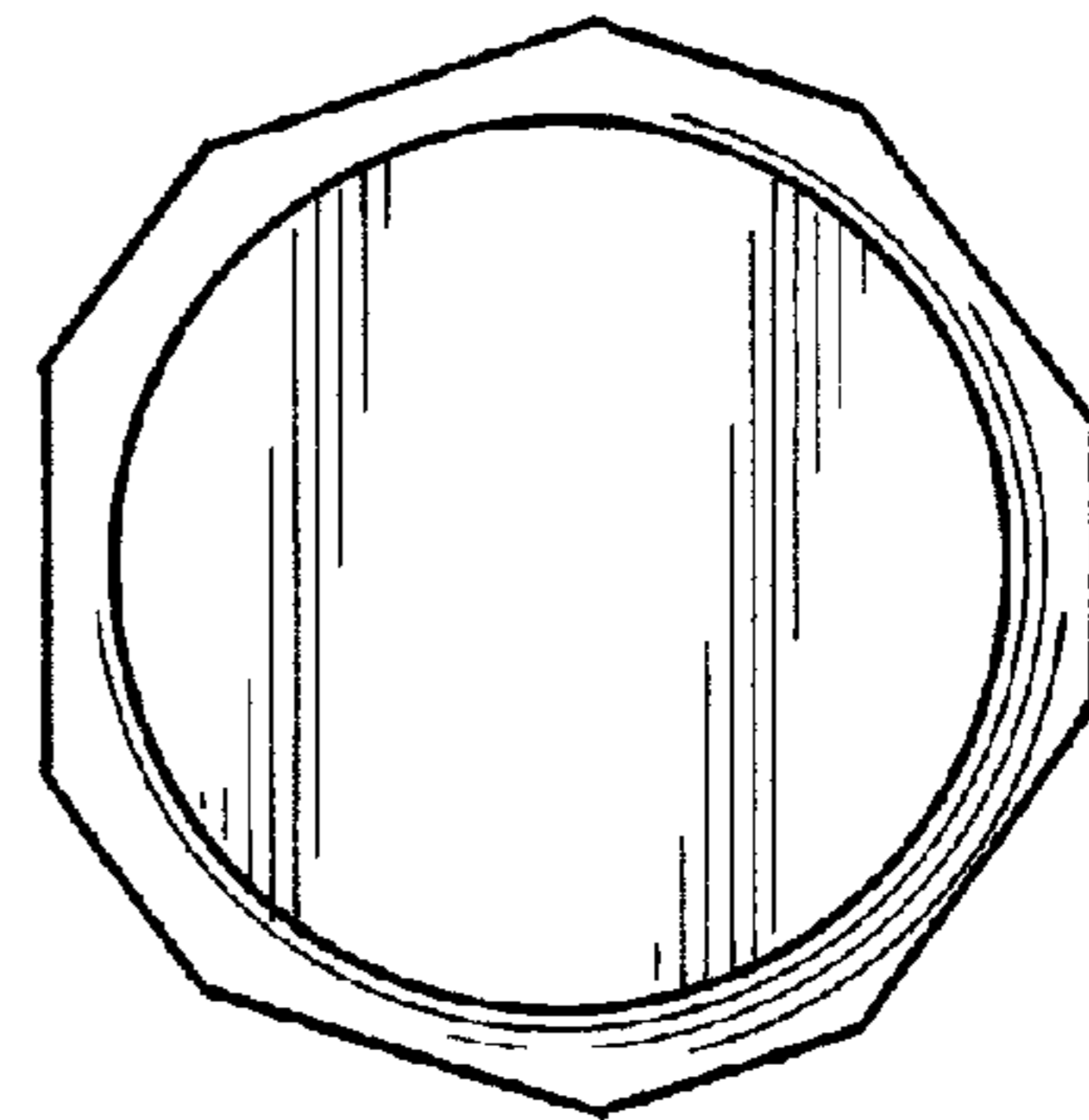


FIG. 9

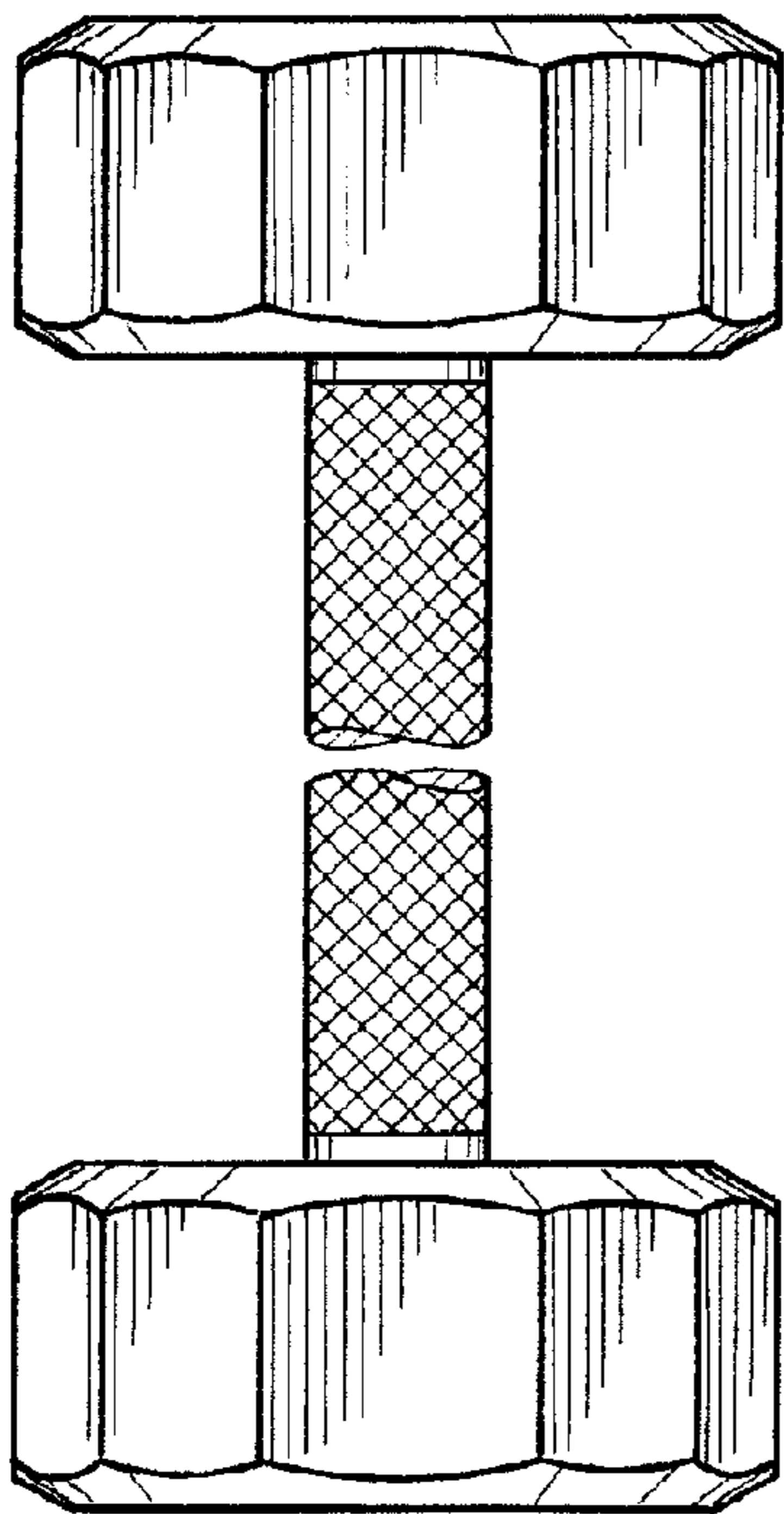


FIG. 10

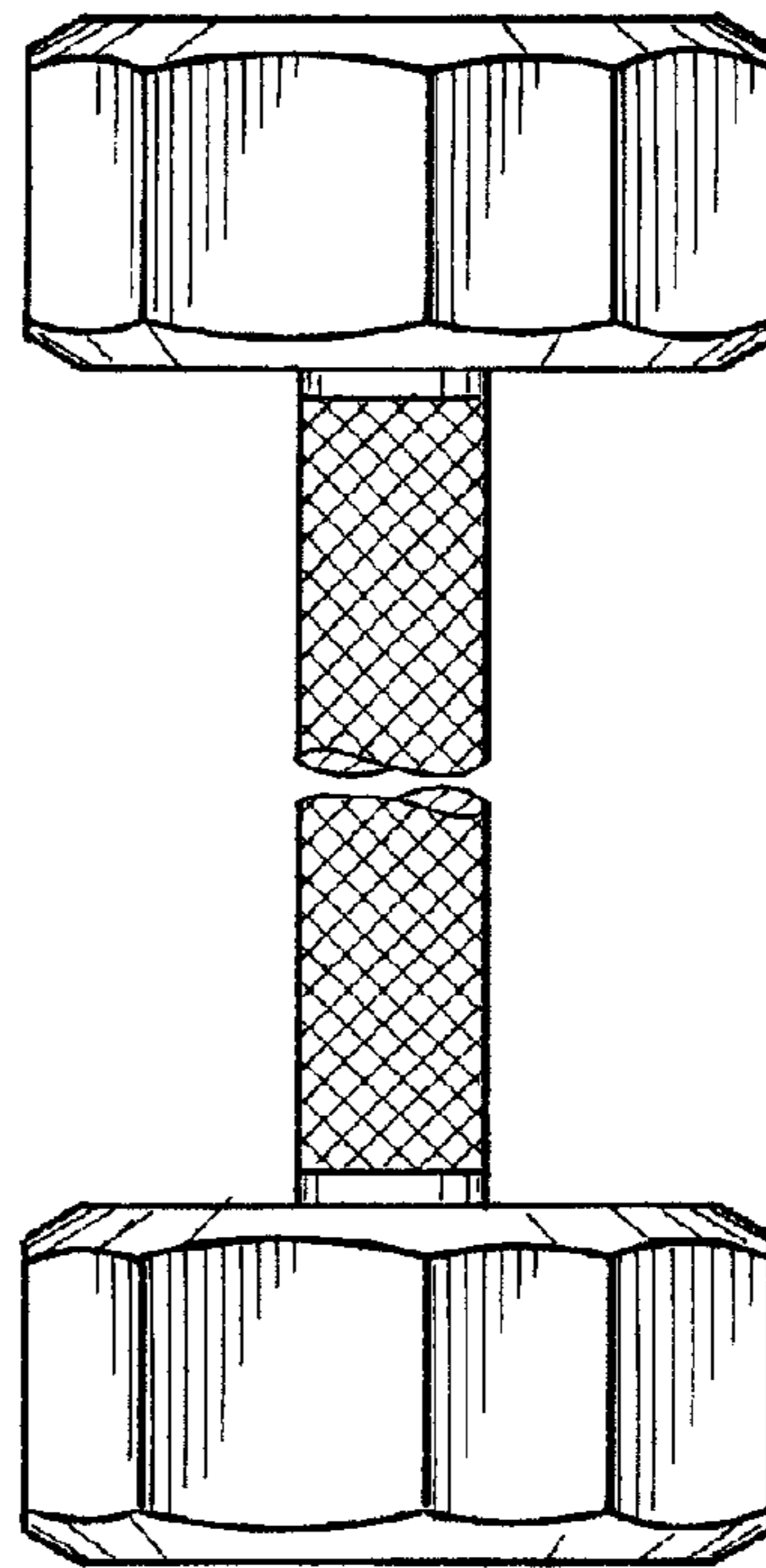


FIG. 11