



US00D597611S

(12) **United States Design Patent**
Auberger

(10) **Patent No.:** **US D597,611 S**

(45) **Date of Patent:** **** Aug. 4, 2009**

(54) **PLAY PARKING GARAGE WITH TOWER**

(75) Inventor: **Benoit Auberger**, La Meilleraie Tillay
(FR)

(73) Assignee: **Wesco S.A.**, Cerizay (FR)

(**) Term: **14 Years**

(21) Appl. No.: **29/321,648**

(22) Filed: **Jul. 21, 2008**

(30) **Foreign Application Priority Data**

Jan. 22, 2008 (EM) 865167-0005

(51) **LOC (9) Cl.** **21-01**

(52) **U.S. Cl.** **D21/509**

(58) **Field of Classification Search** D21/391,
D21/506-511, 531, 560, 814, 816, 818, 826,
D21/827; 446/75, 85, 102, 103, 109-111,
446/115, 444, 476-478, 487
See application file for complete search history.

(56) **References Cited**

U.S. PATENT DOCUMENTS

D208,096	S	*	7/1967	Ostrander	D21/509
3,593,454	A	*	7/1971	Einfalt	446/423
D225,166	S	*	11/1972	Spengler	D21/509
4,068,402	A	*	1/1978	Tanaka	446/476
4,254,576	A	*	3/1981	Matsumoto et al.	446/444
D269,360	S	*	6/1983	Ng	D21/509

D294,156	S	*	2/1988	McElhaney	D21/511
D366,290	S	*	1/1996	Dieudonne	D21/509
D394,476	S	*	5/1998	Blumenthal	D21/509
D442,648	S	*	5/2001	Ohkado et al.	D21/509
D554,202	S	*	10/2007	Knight et al.	D21/509
D555,210	S	*	11/2007	Knight et al.	D21/509
D555,211	S	*	11/2007	Knight et al.	D21/509

* cited by examiner

Primary Examiner—Holly H Baynham

Assistant Examiner—Cynthia M Chin

(74) *Attorney, Agent, or Firm*—Westerman, Hattori, Daniels & Adrian, LLP.

(57) **CLAIM**

The ornamental design for a play parking garage with tower, as shown and described.

DESCRIPTION

FIG. 1 is a perspective view of the play parking garage with tower showing my new design;

FIG. 2 is a right side view thereof;

FIG. 3 is a bottom view thereof;

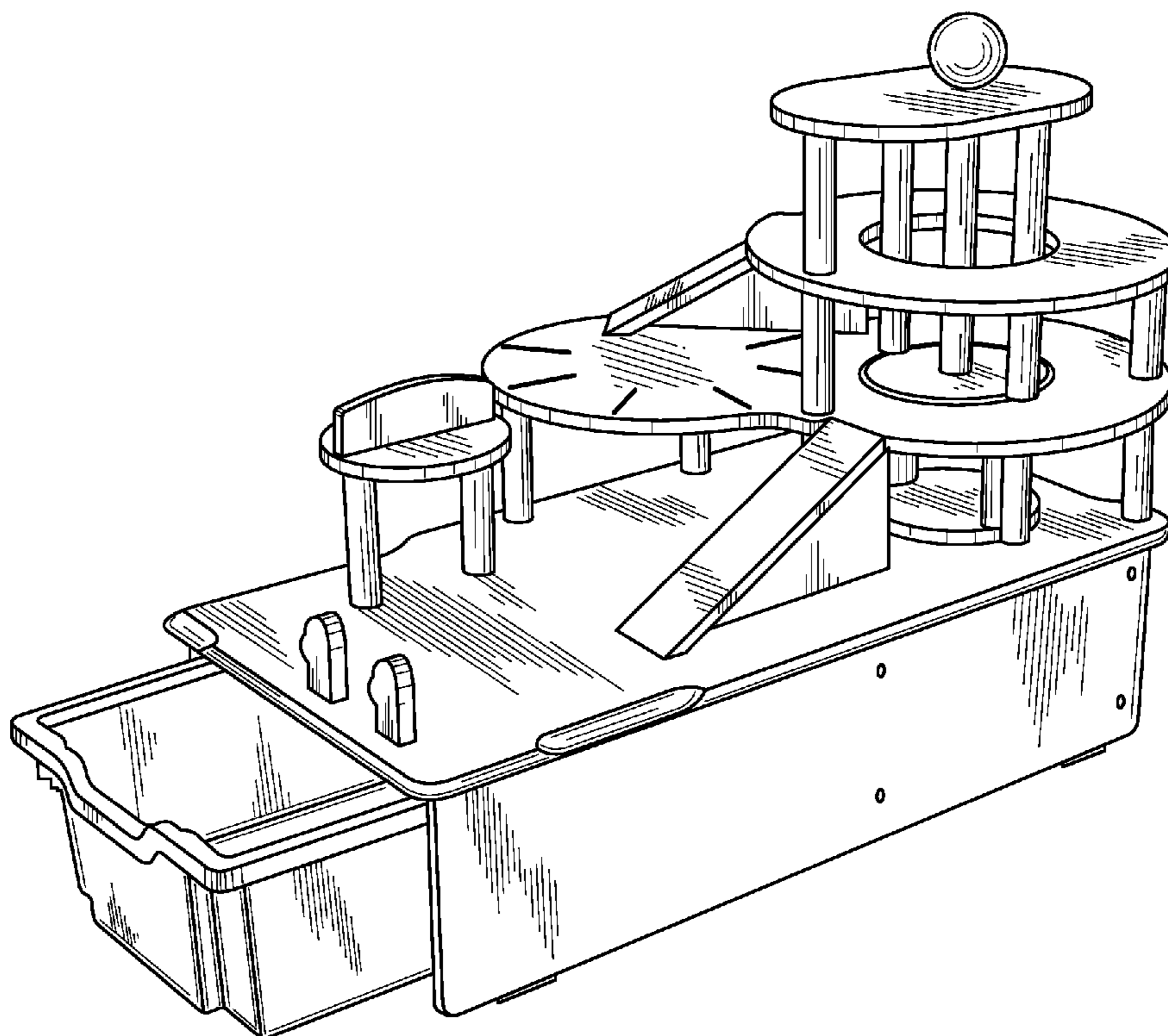
FIG. 4 is a left side view thereof;

FIG. 5 is a top view thereof;

FIG. 6 is a front view thereof; and,

FIG. 7 is a back view thereof.

1 Claim, 7 Drawing Sheets



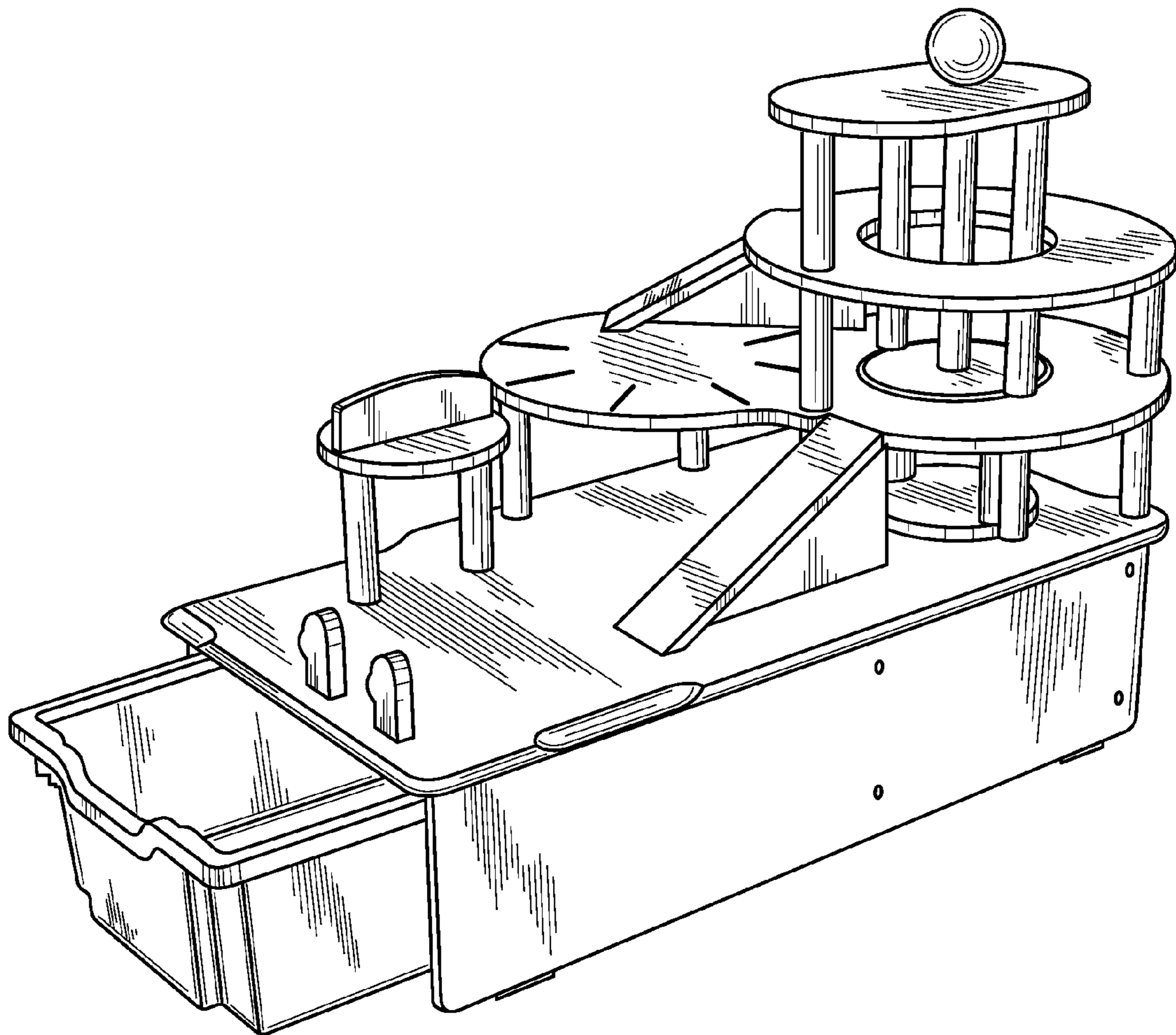


FIG. 1

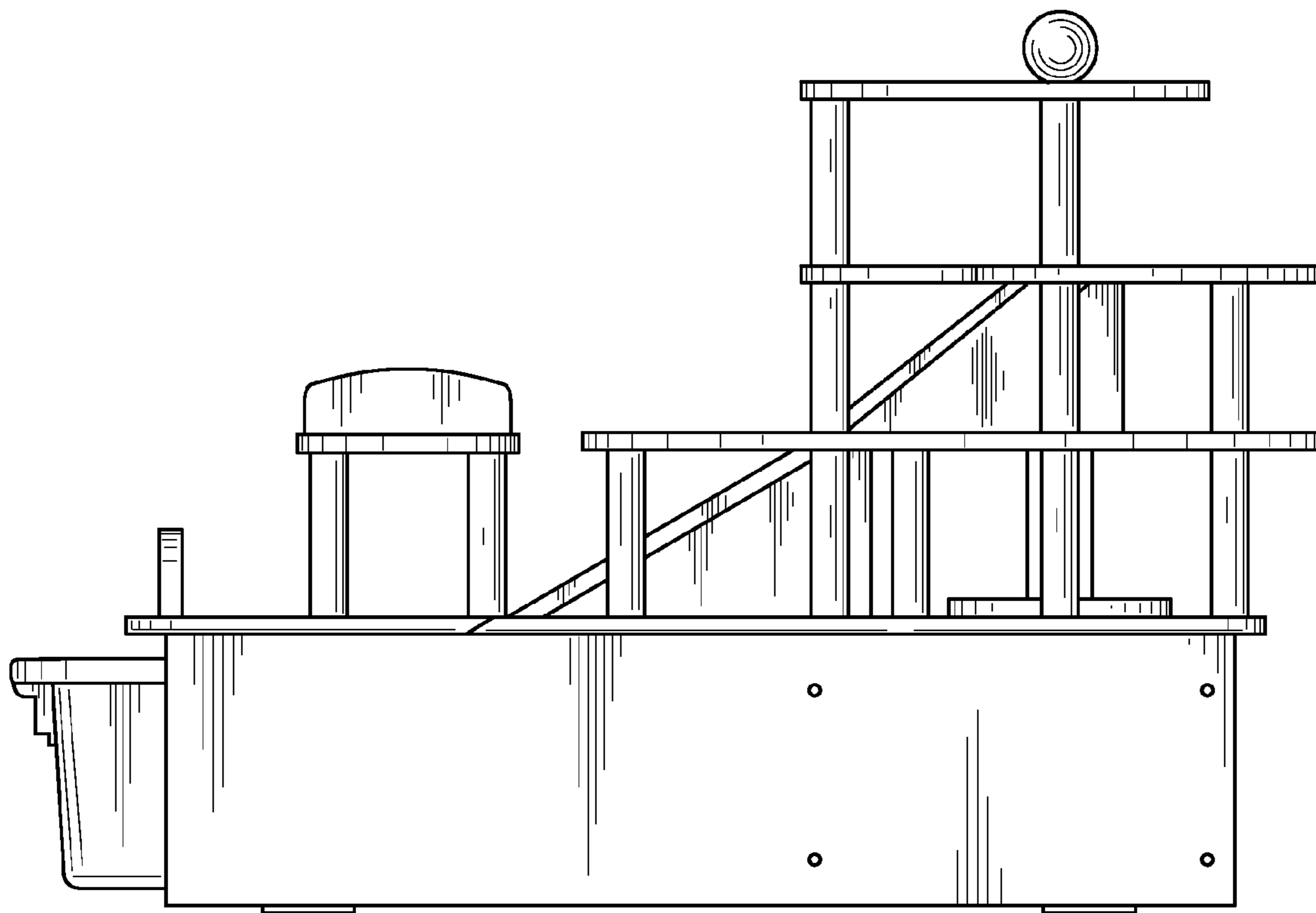


FIG.2

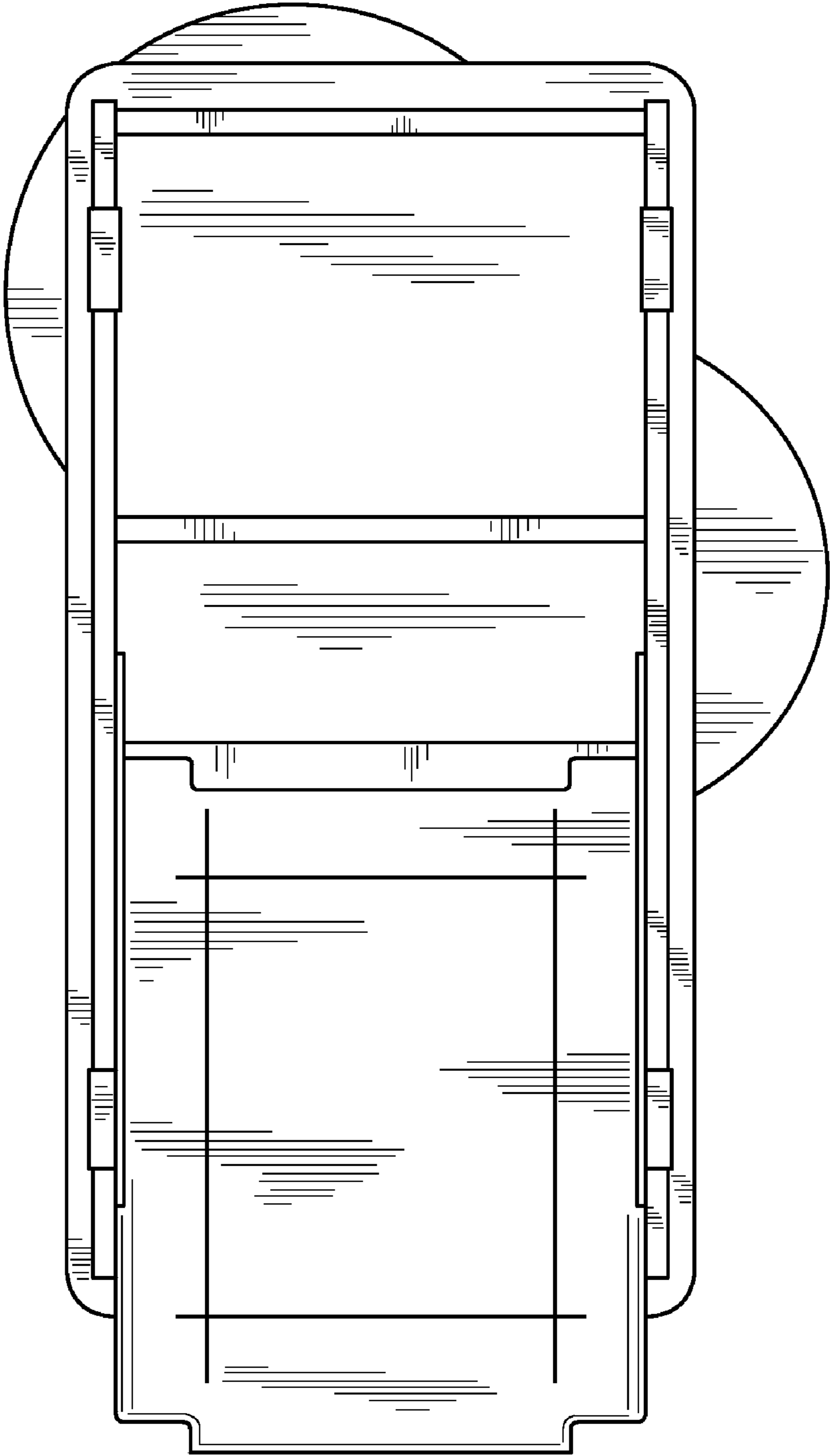


FIG. 3

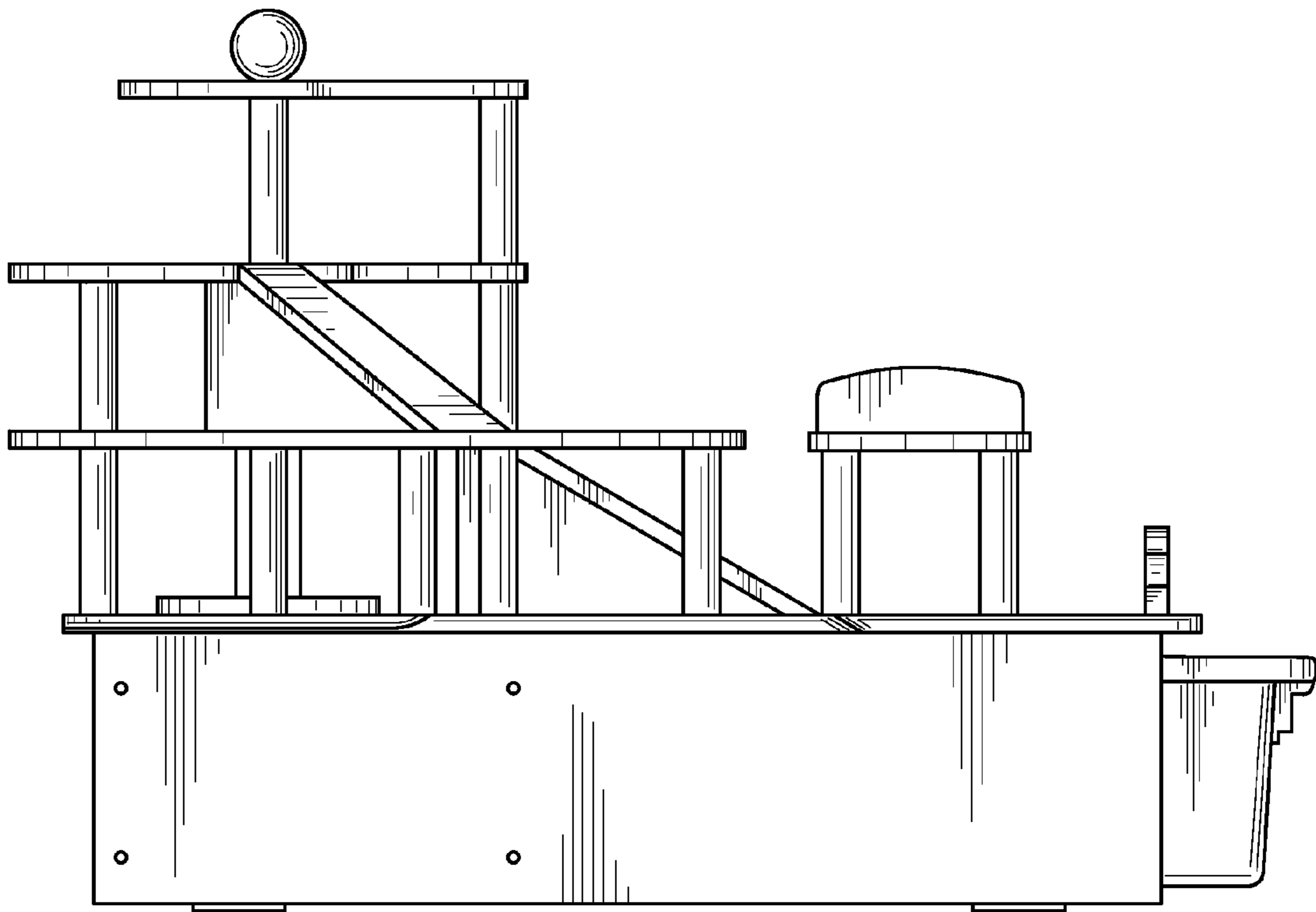


FIG.4

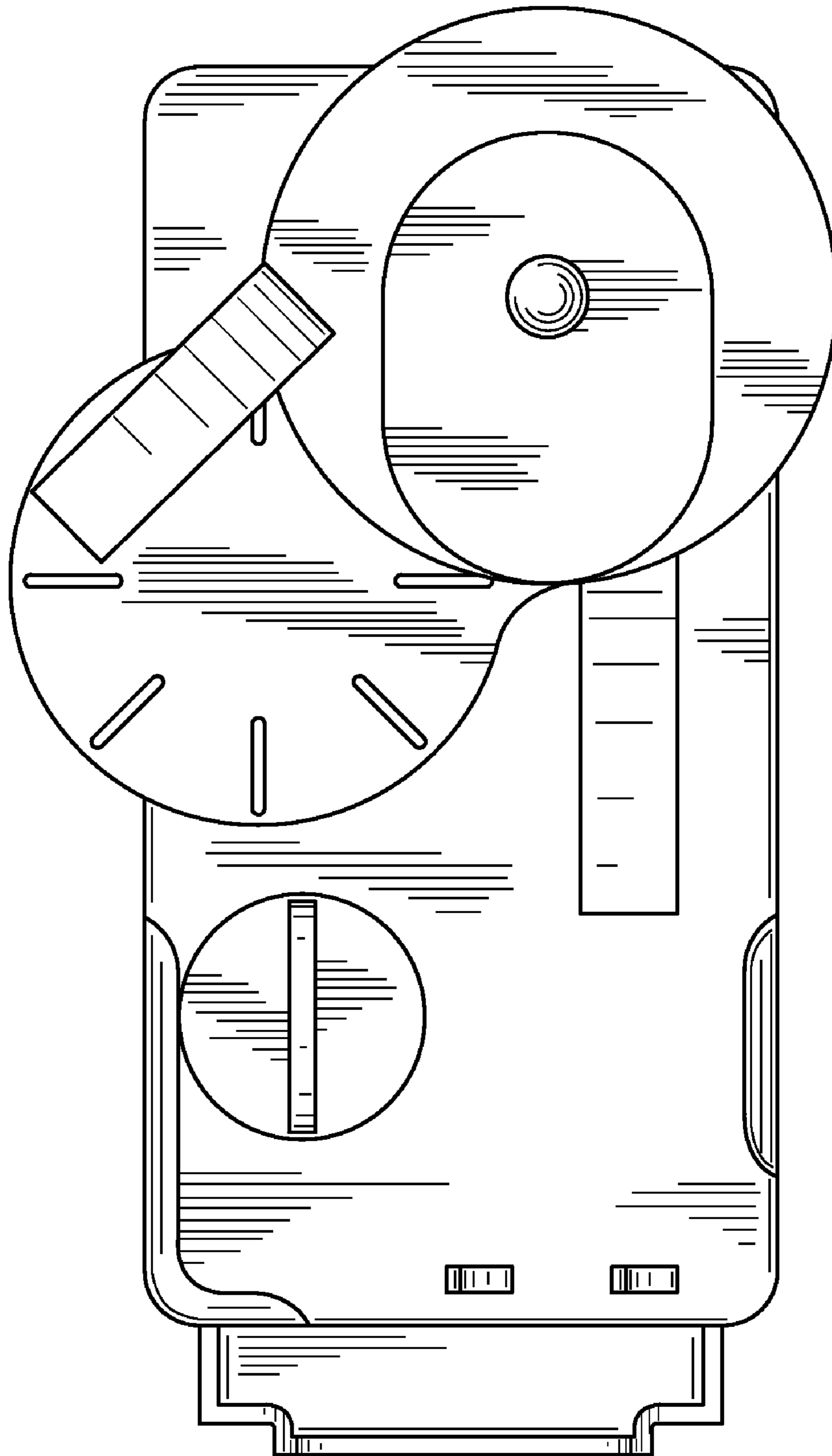


FIG.5

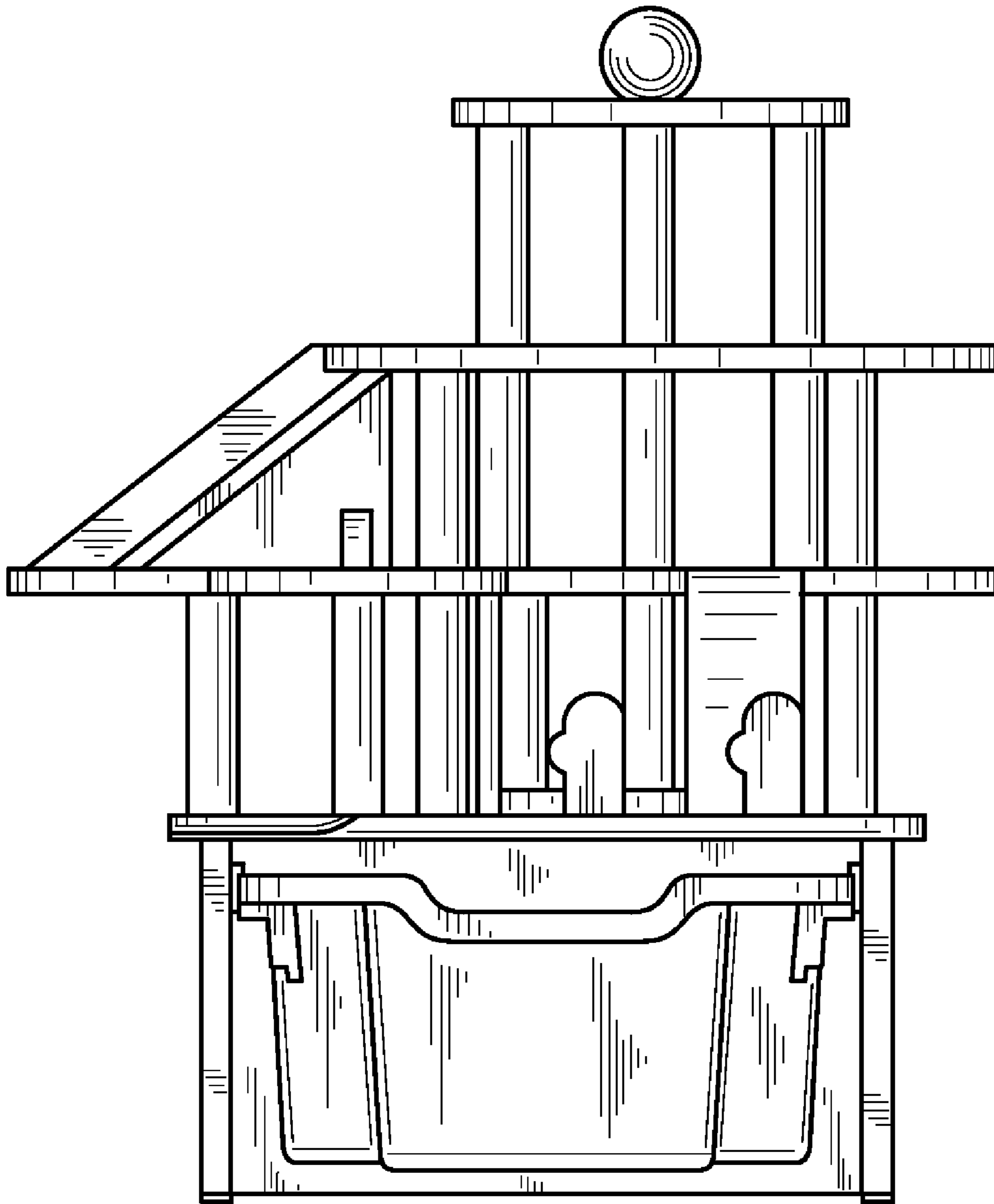


FIG.6

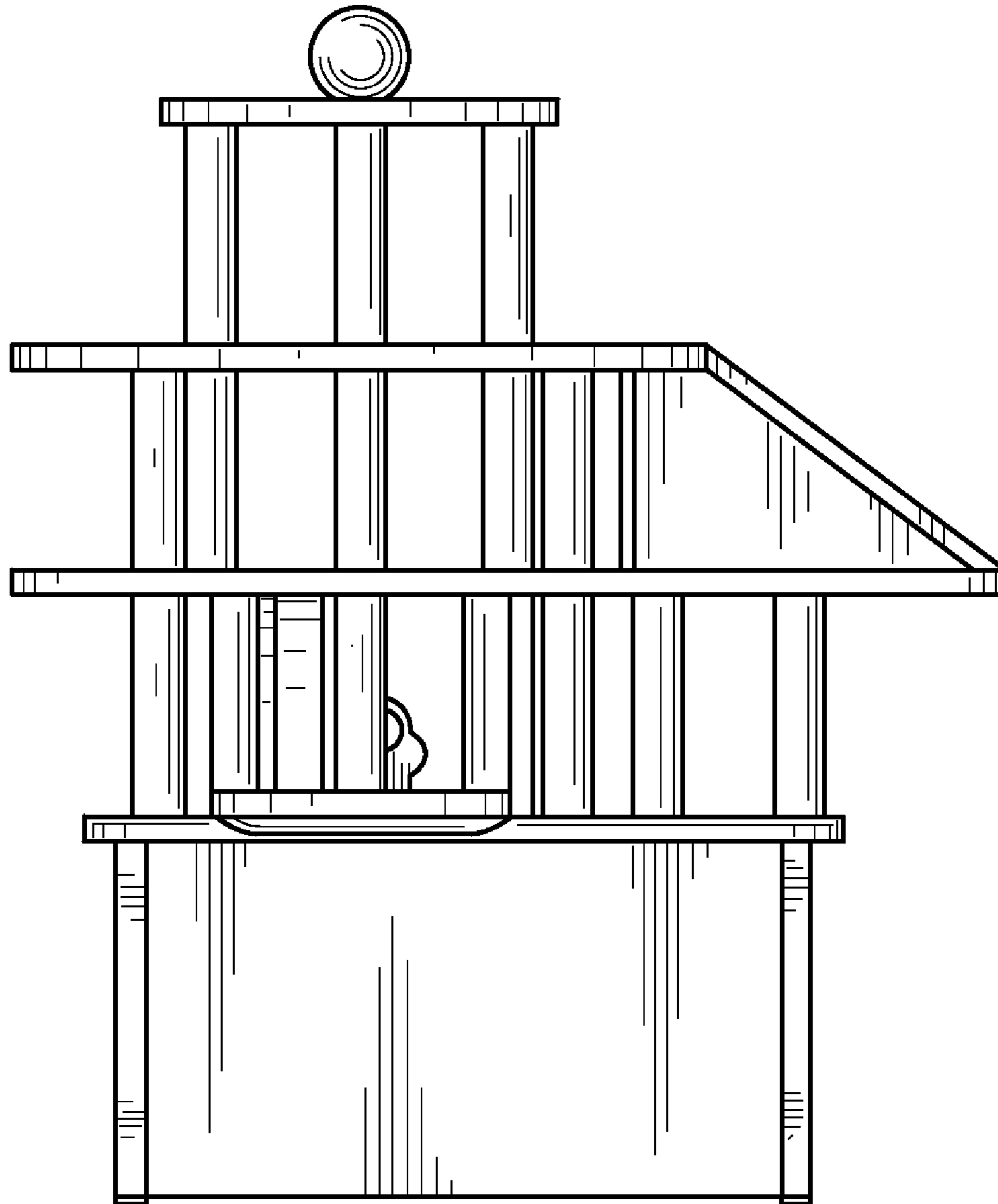


FIG. 7