

US00D597609S

(12) **United States Design Patent**
Denoual

(10) **Patent No.:** **US D597,609 S**

(45) **Date of Patent:** **** Aug. 4, 2009**

(54) **TWO LEVEL SHUT-THE-BOX GAME**

D393,883 S * 4/1998 Haygood D21/372
D483,417 S * 12/2003 Michalek D21/372

(76) **Inventor:** **Thierry Denoual**, 1000 Illinois St., San Francisco, CA (US) 94107

* cited by examiner

(**) **Term:** **14 Years**

Primary Examiner—Sandra Morris

(74) *Attorney, Agent, or Firm*—Craig M. Stainbrook; Stainbrook & Stainbrook, LLP

(21) **Appl. No.:** **29/319,308**

(22) **Filed:** **Jun. 6, 2008**

(57) **CLAIM**

The ornamental design for a two level shut-the-box game, as shown and described.

(51) **LOC (9) Cl.** **21-03**

(52) **U.S. Cl.** **D21/372**

(58) **Field of Classification Search** D21/334–369,
D21/372–373.385, 396; 273/236–288, 146
See application file for complete search history.

DESCRIPTION

FIG. 1 is a top left front perspective view;

FIG. 2 is a front elevational view;

FIG. 3 is a right side elevational view

FIG. 4 is a rear elevational view;

FIG. 5 is a top plan view; and,

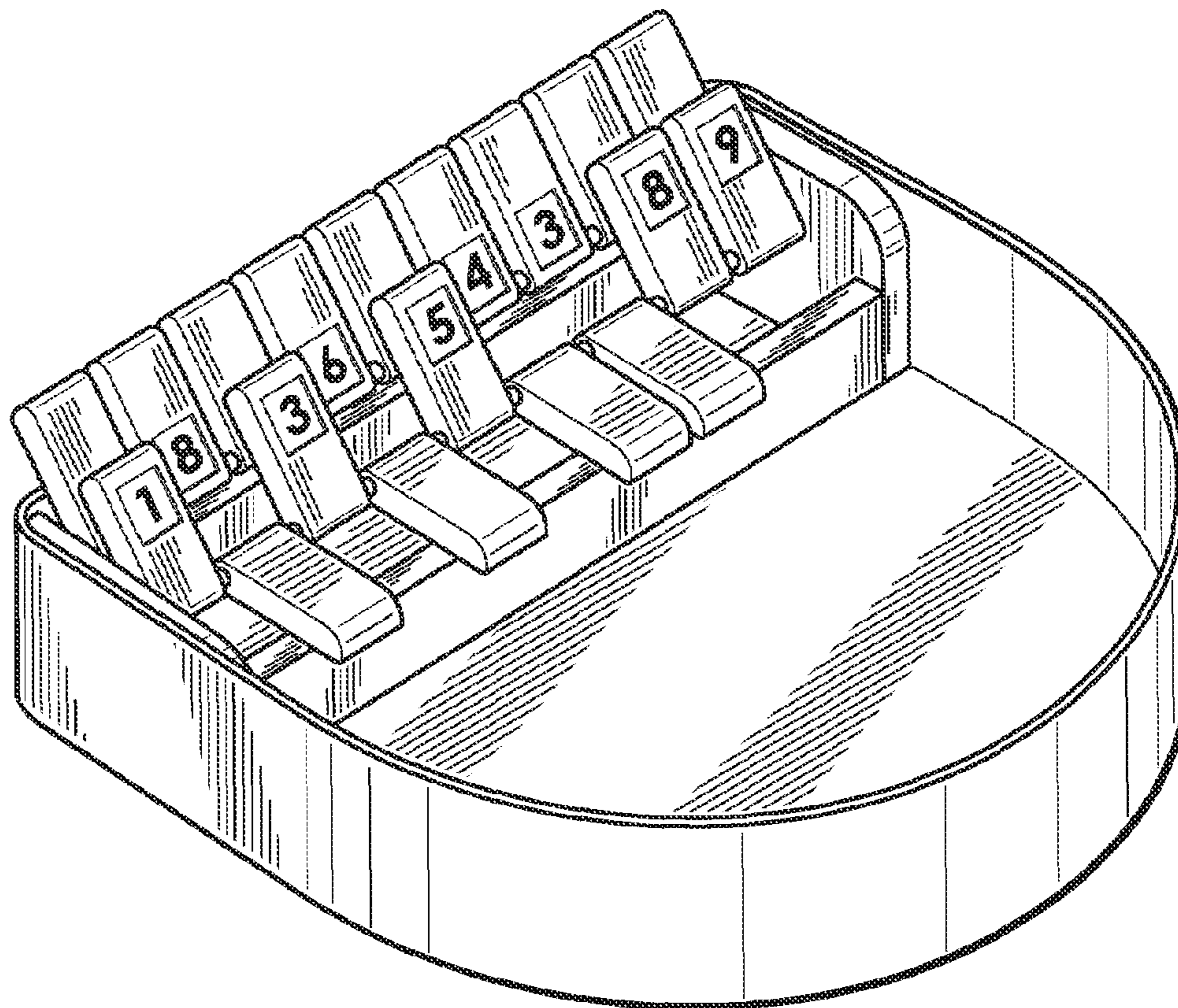
FIG. 6 is a bottom plan view.

(56) **References Cited**

U.S. PATENT DOCUMENTS

- D146,492 S * 3/1947 Thompson D21/372
- D271,118 S * 10/1983 Persch D21/372
- D323,859 S * 2/1992 Russell D21/372
- D370,033 S * 5/1996 Moody D21/372

1 Claim, 3 Drawing Sheets



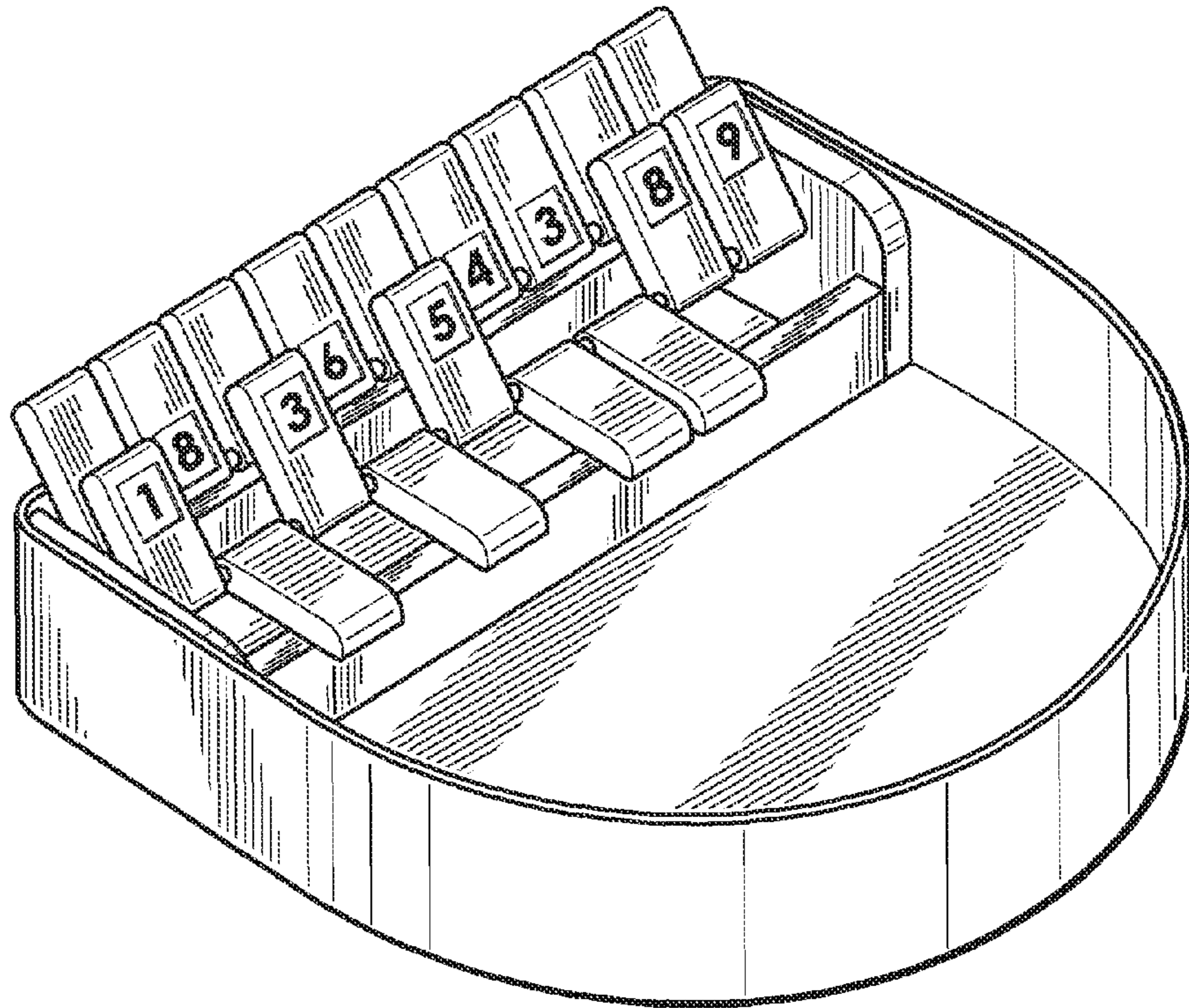


FIG. 1

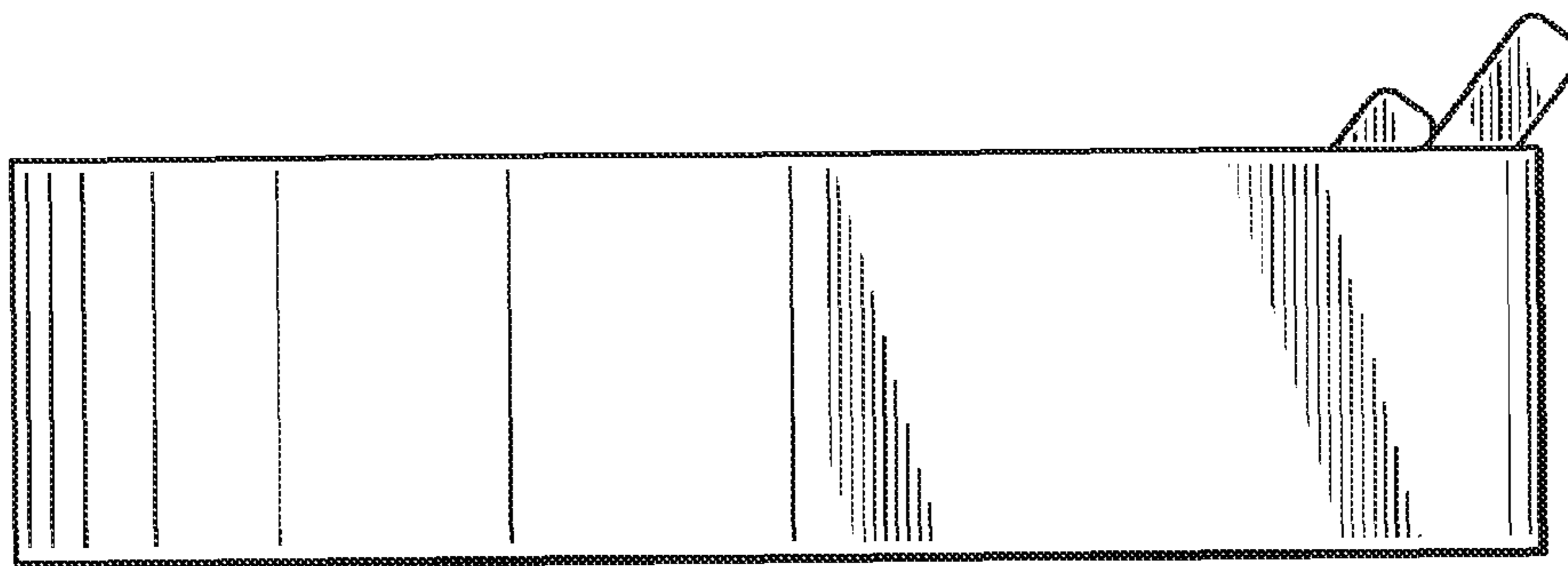


FIG. 3

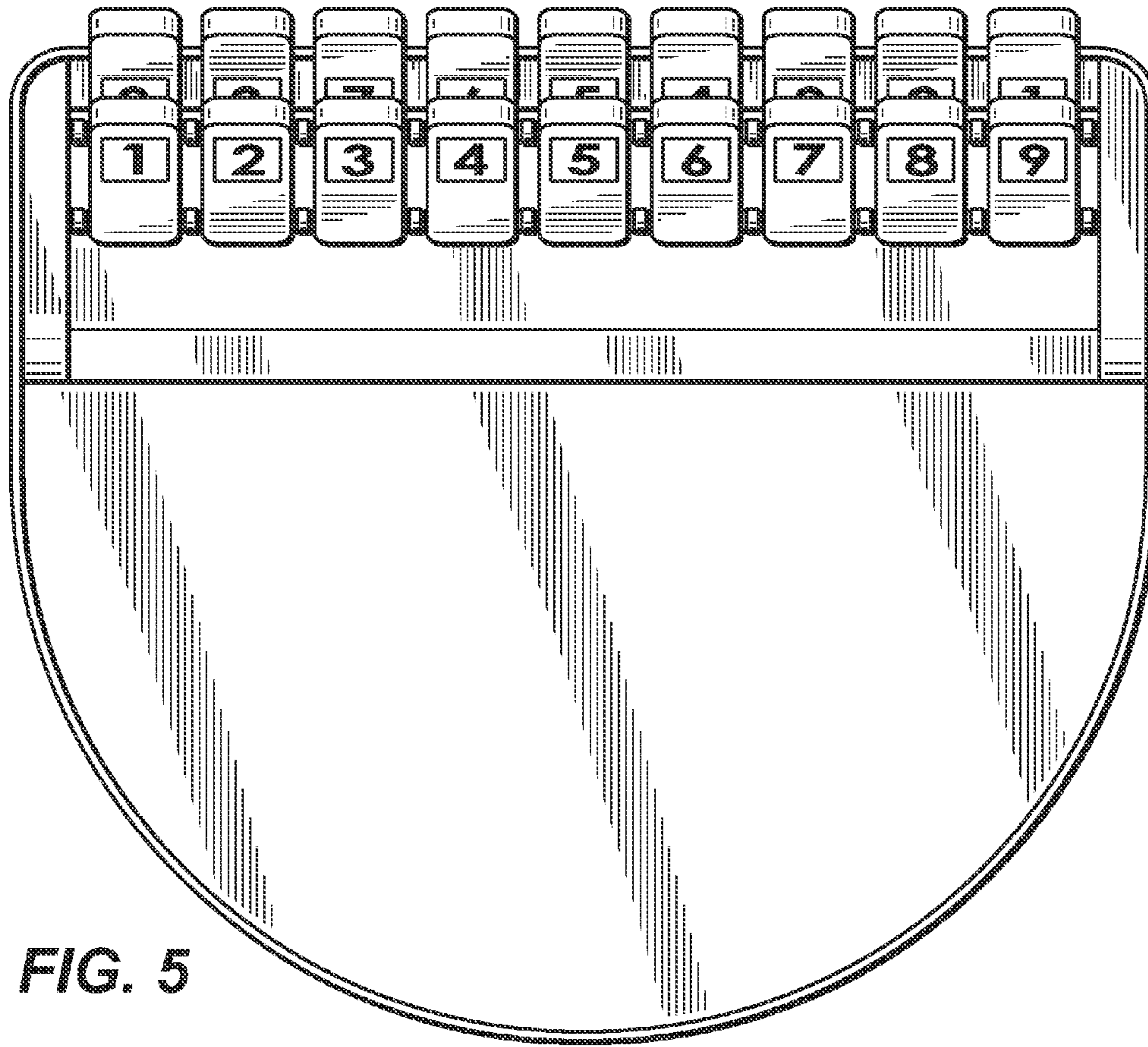


FIG. 5

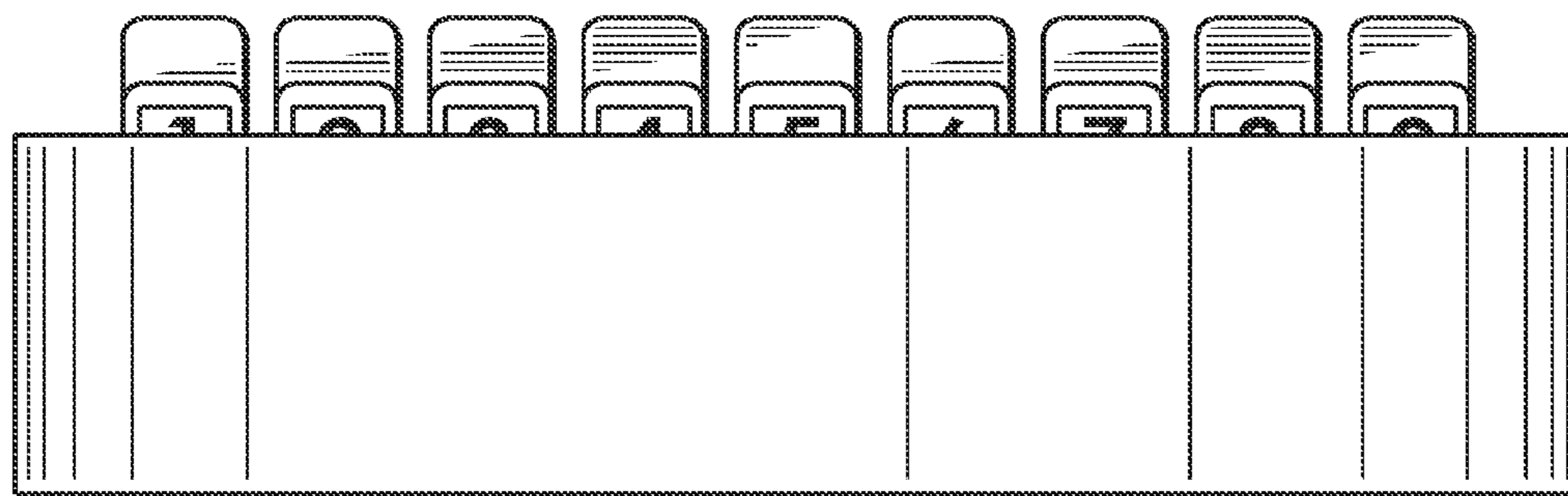


FIG. 2

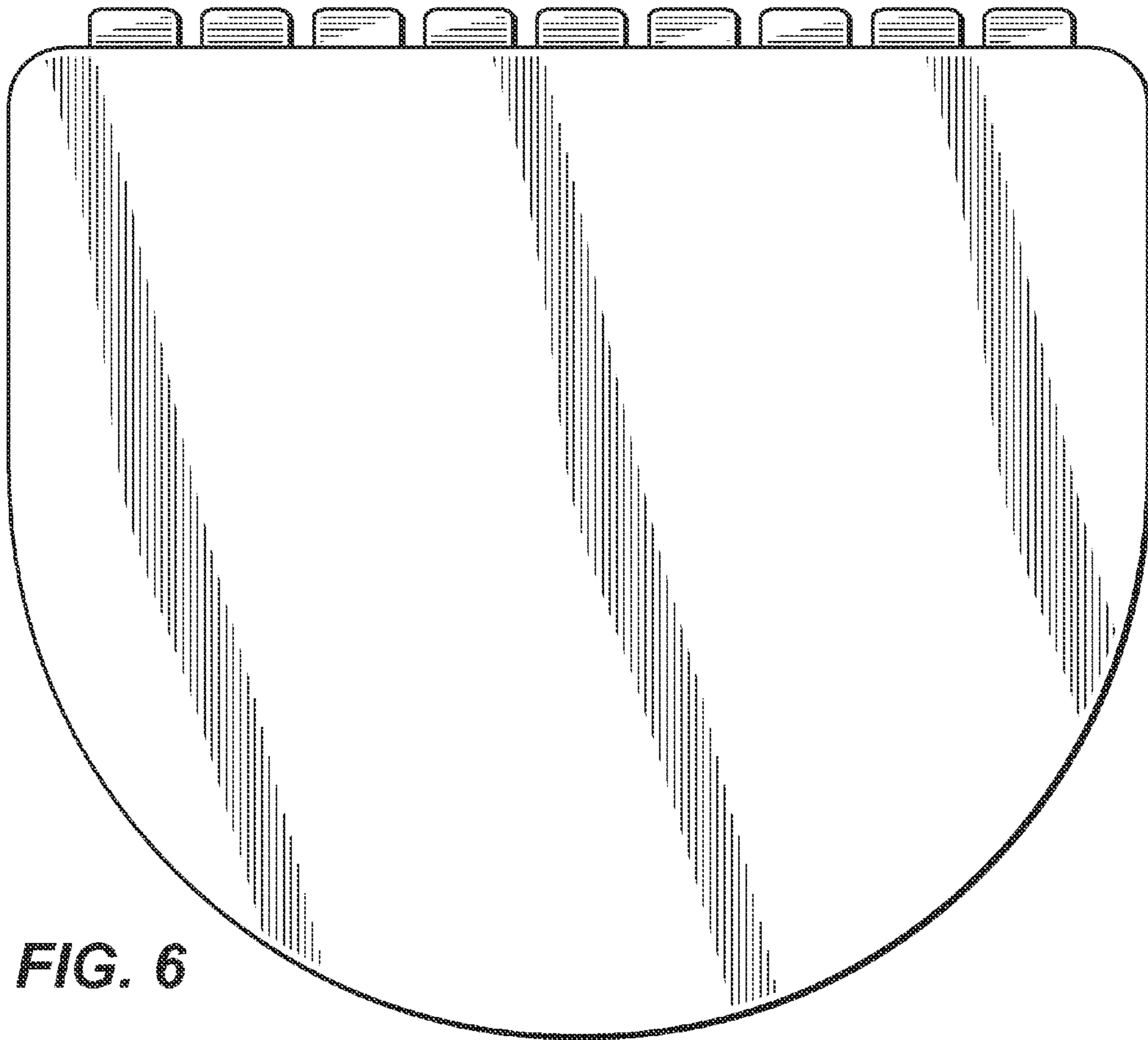


FIG. 6

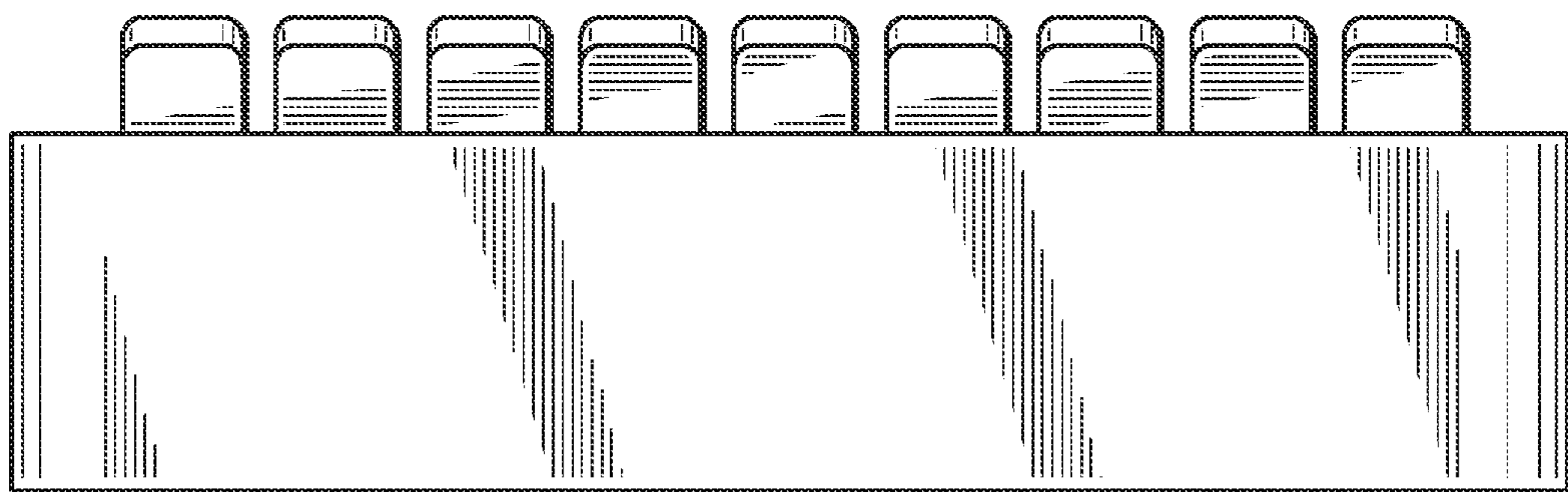


FIG. 4