



US00D597606S

(12) **United States Design Patent**
Chin et al.

(10) **Patent No.:** **US D597,606 S**

(45) **Date of Patent:** **** Aug. 4, 2009**

(54) **SIGN HEADER**

(75) Inventors: **Conrad M. Chin**, Minneapolis, MN
(US); **Eric J. Weiss**, Plymouth, MN (US)

(73) Assignee: **Target Brands, Inc.**, Minneapolis, MN
(US)

(**) Term: **14 Years**

(21) Appl. No.: **29/317,865**

(22) Filed: **May 8, 2008**

(51) **LOC (9) Cl.** **20-02**

(52) **U.S. Cl.** **D20/10**

(58) **Field of Classification Search** D20/10,
D20/12, 13, 17-19, 22, 27, 28, 39-42, 99;
40/124.01, 124.02, 124.04, 312, 368, 371,
40/538-542, 544, 553, 568, 584, 591, 616,
40/624, 611.01, 611.04-611.07, 617-618,
40/666; D6/300, 308, 309; D10/109; D18/17;
D19/1-3; 206/45.28, 757; 362/812

See application file for complete search history.

(56) **References Cited**

U.S. PATENT DOCUMENTS

261,089	A *	7/1882	Gold	40/611.04
561,231	A *	6/1896	Lean et al.	40/611.05
696,678	A *	4/1902	Hitt	40/666
1,785,449	A *	12/1930	Kahn	40/617
D91,343	S *	1/1934	Zeiser	D20/10
D134,555	S *	12/1942	Jenkins	D19/1
D181,146	S *	10/1957	Heard	D20/42
3,394,802	A *	7/1968	Hershaft	206/457
3,762,544	A *	10/1973	Matthews	206/45.28
D234,443	S *	3/1975	Golub	D20/42

4,667,914	A	5/1987	Bailey	
4,672,757	A	6/1987	Field	
4,798,013	A	1/1989	Sainato	
4,887,783	A	12/1989	Franklin	
5,437,116	A	8/1995	Hardy	
5,465,516	A	11/1995	Stabile	
5,564,579	A	10/1996	Pynenburg et al.	
D389,509	S *	1/1998	Yasoshima D18/17
D392,681	S *	3/1998	Kuelbs et al. D20/10
6,015,124	A	1/2000	Loy	
6,055,755	A *	5/2000	Prokes 40/617
6,094,796	A	8/2000	Biro	
7,143,534	B2	12/2006	Kaminski	

* cited by examiner

Primary Examiner—Janice E Seeger

Assistant Examiner—Mary Ann Calabrese

(74) *Attorney, Agent, or Firm*—Griffiths & Seaton PLLC

(57) **CLAIM**

The ornamental design for a sign header, as shown and described.

DESCRIPTION

FIG. 1 is an isometric view of a sign header;

FIG. 2 is a right end view thereof;

FIG. 3 is a left end view thereof;

FIG. 4 is a top view thereof;

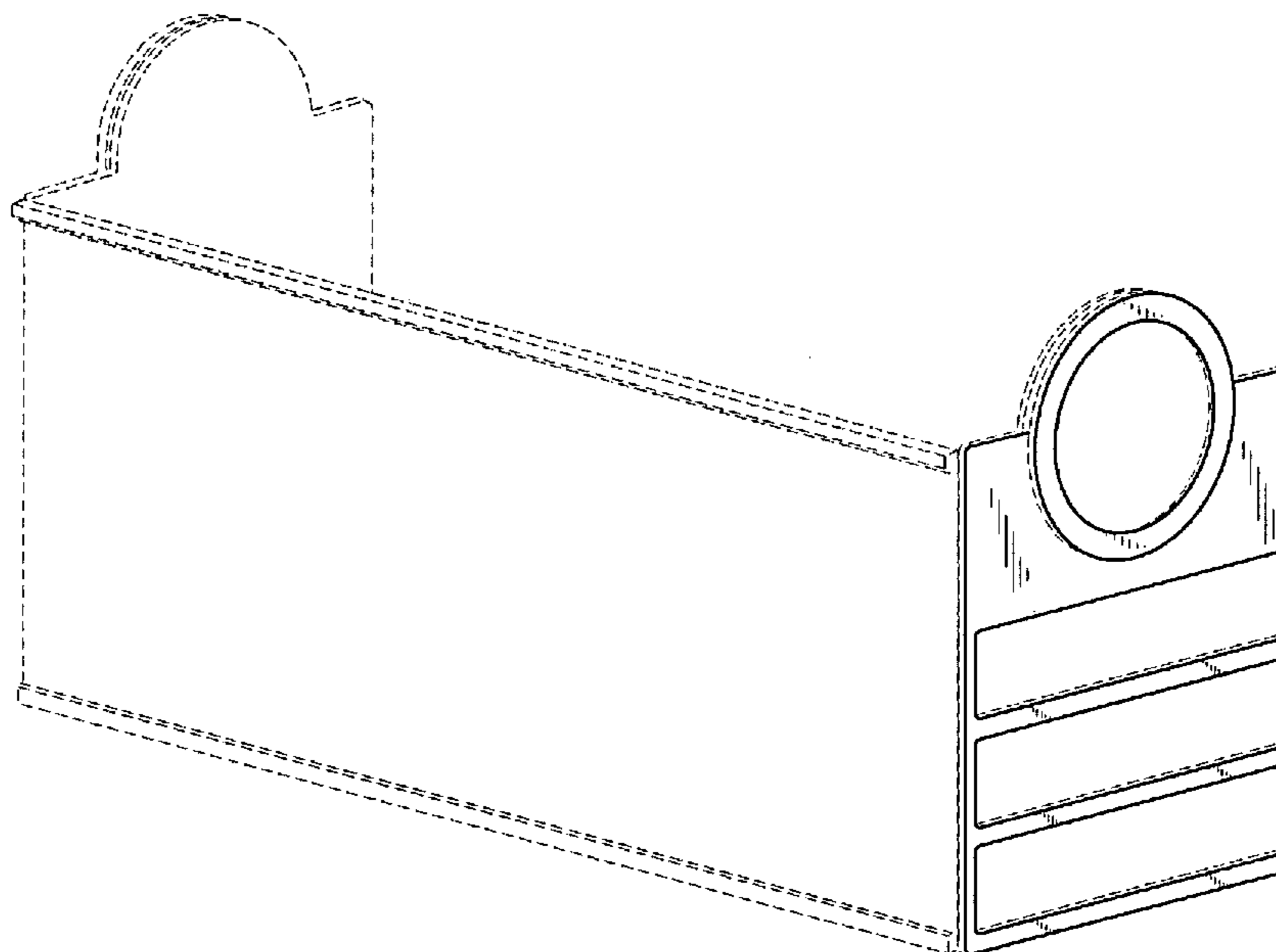
FIG. 5 is a bottom view thereof;

FIG. 6 is a back view thereof; and,

FIG. 7 is a front view thereof.

In the drawings, broken lines represent environment and features which form no part of the claimed design.

1 Claim, 7 Drawing Sheets



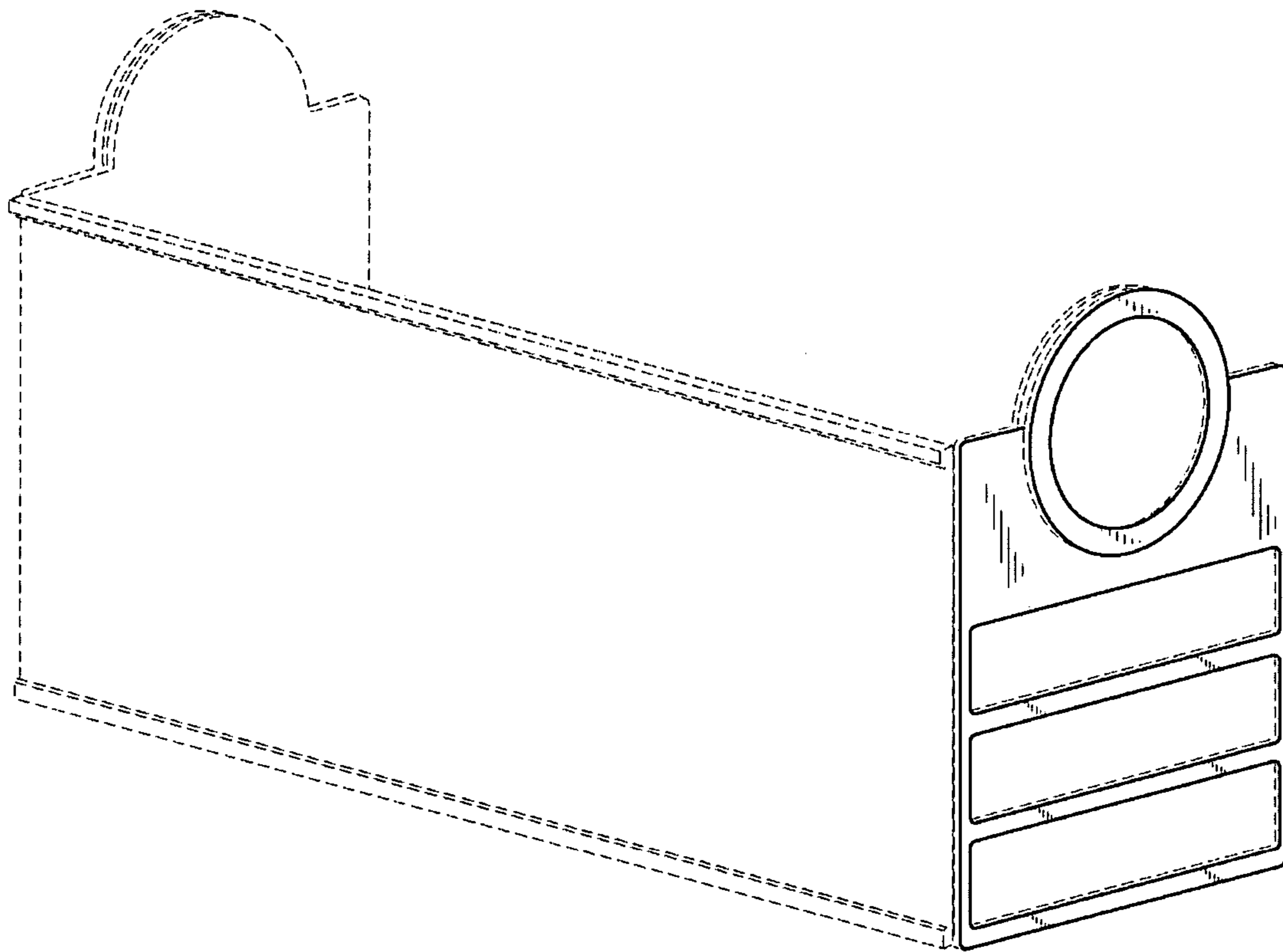


FIG. 1

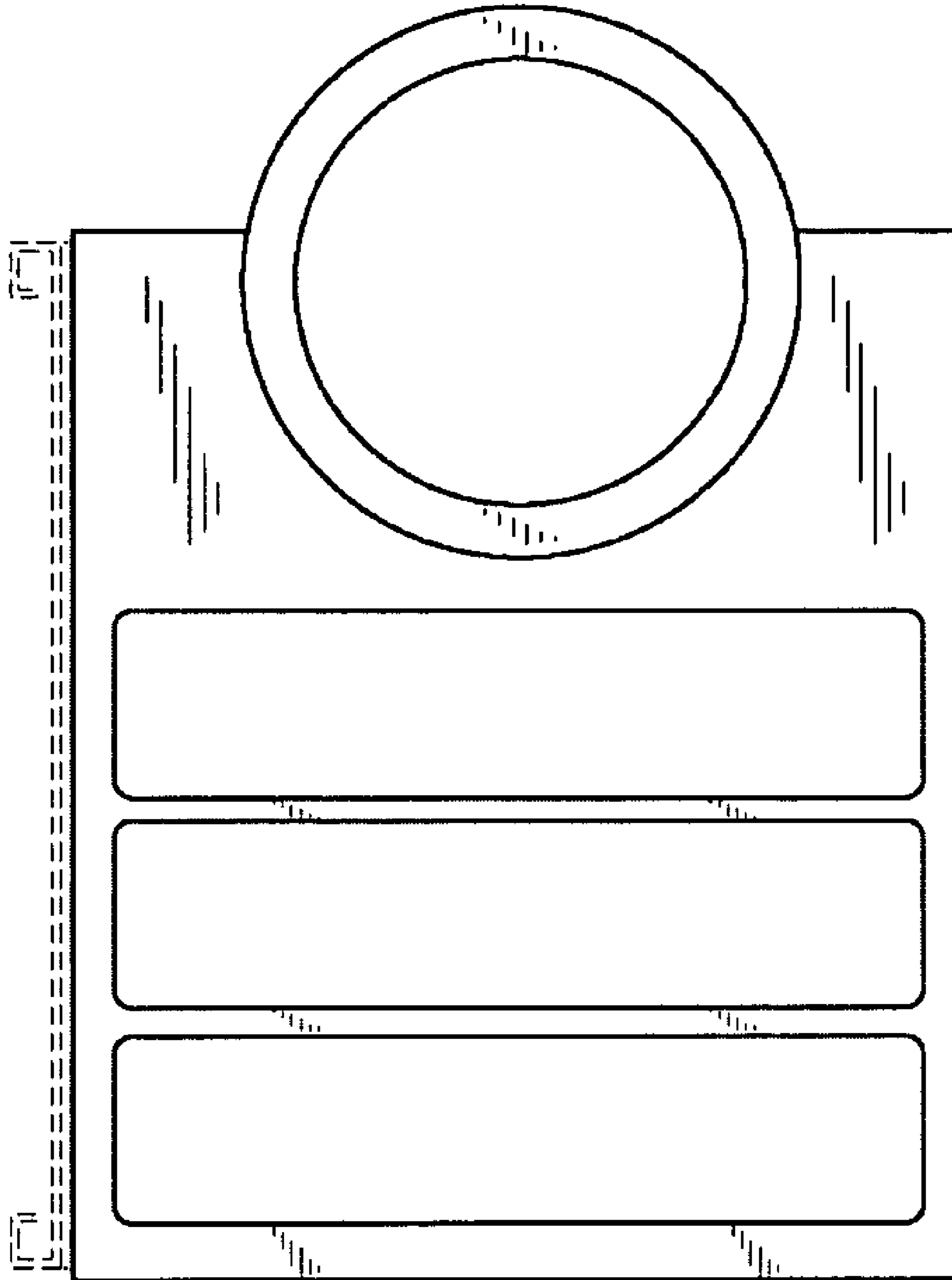


FIG. 2

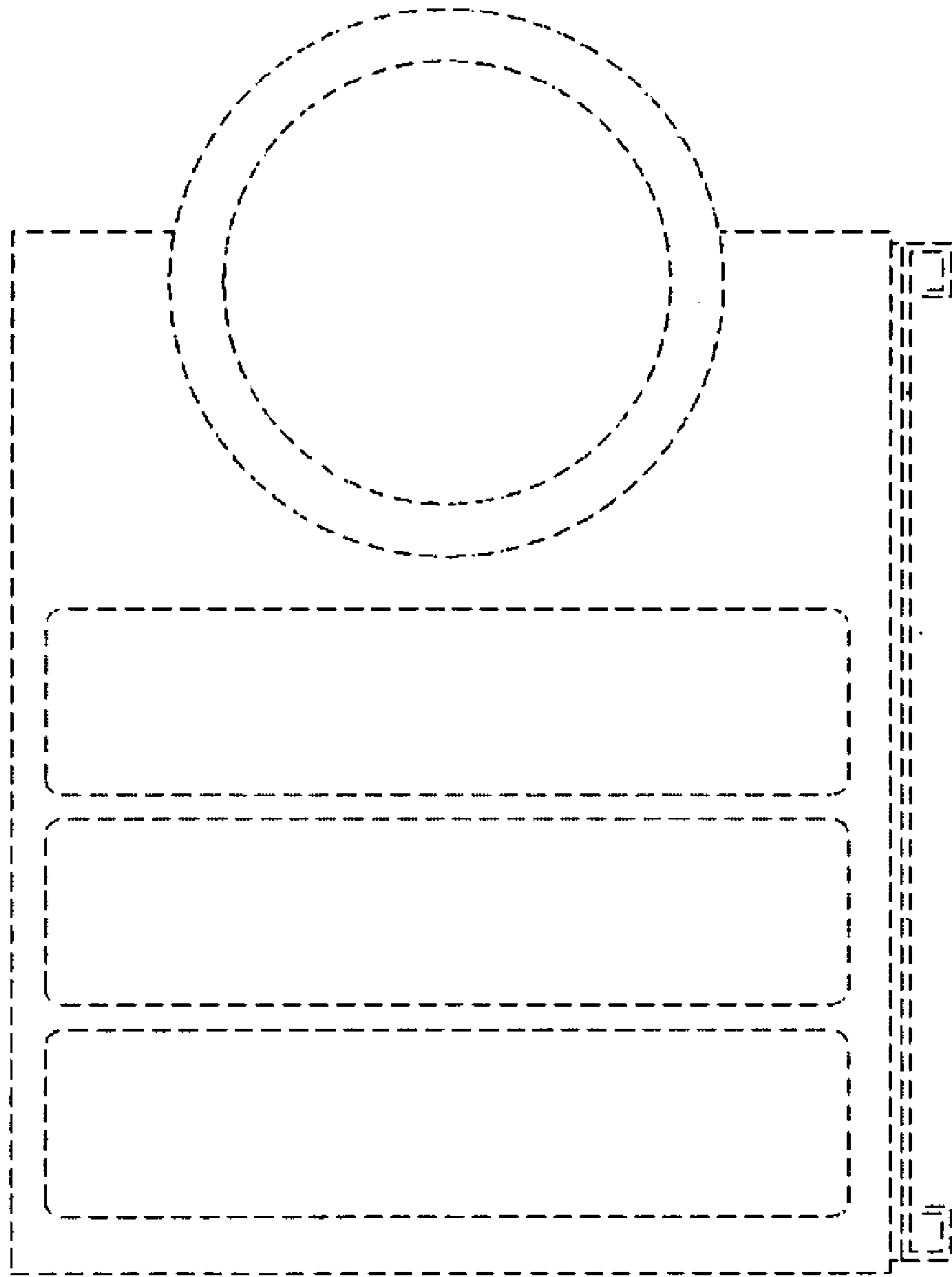


FIG. 3

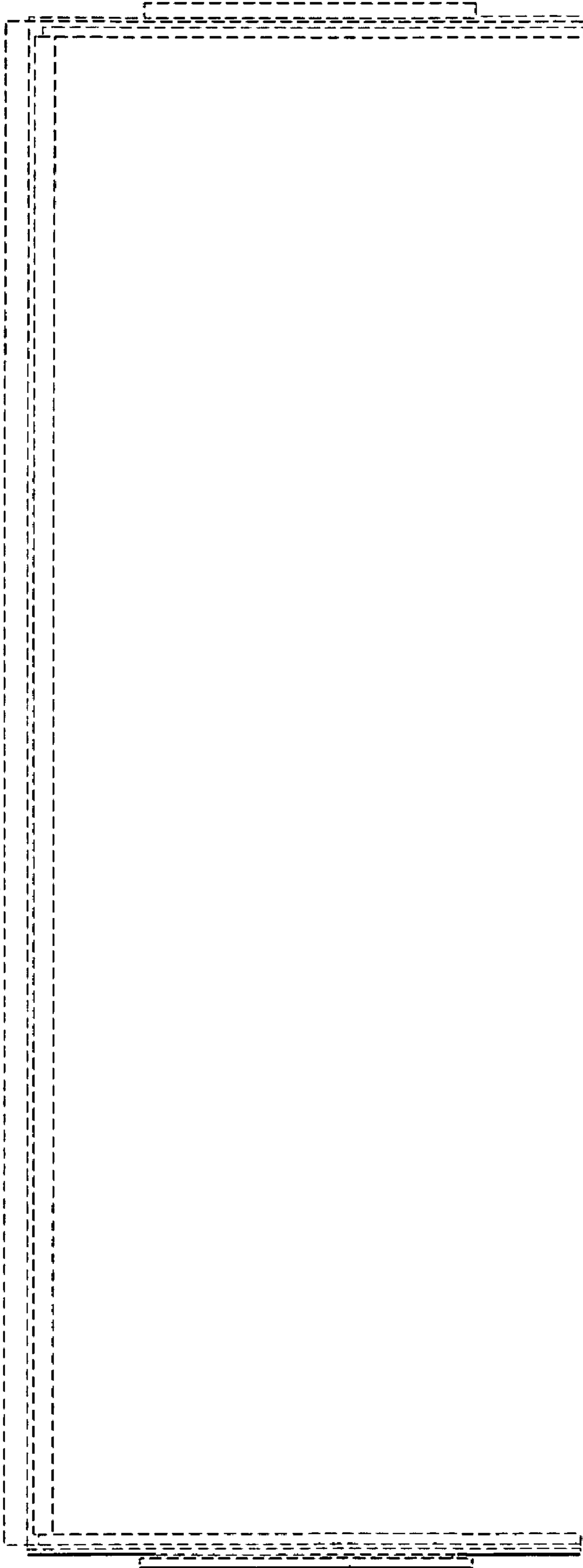


FIG. 4

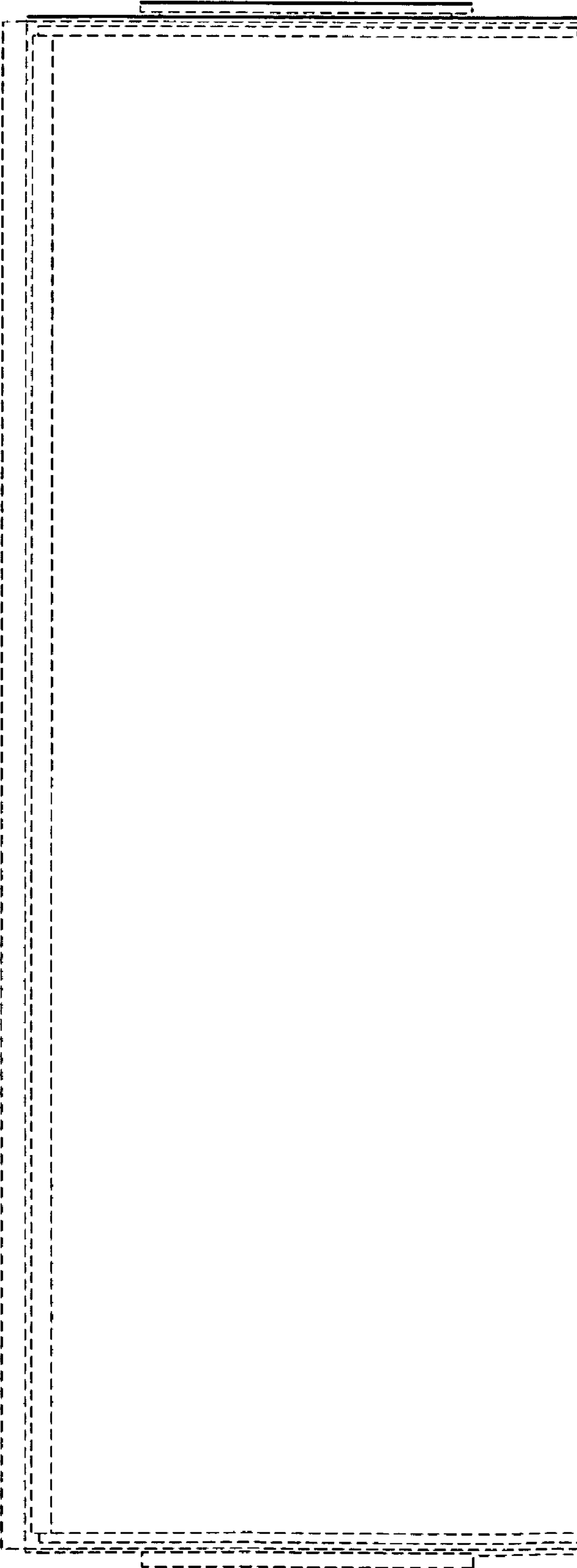


FIG. 5

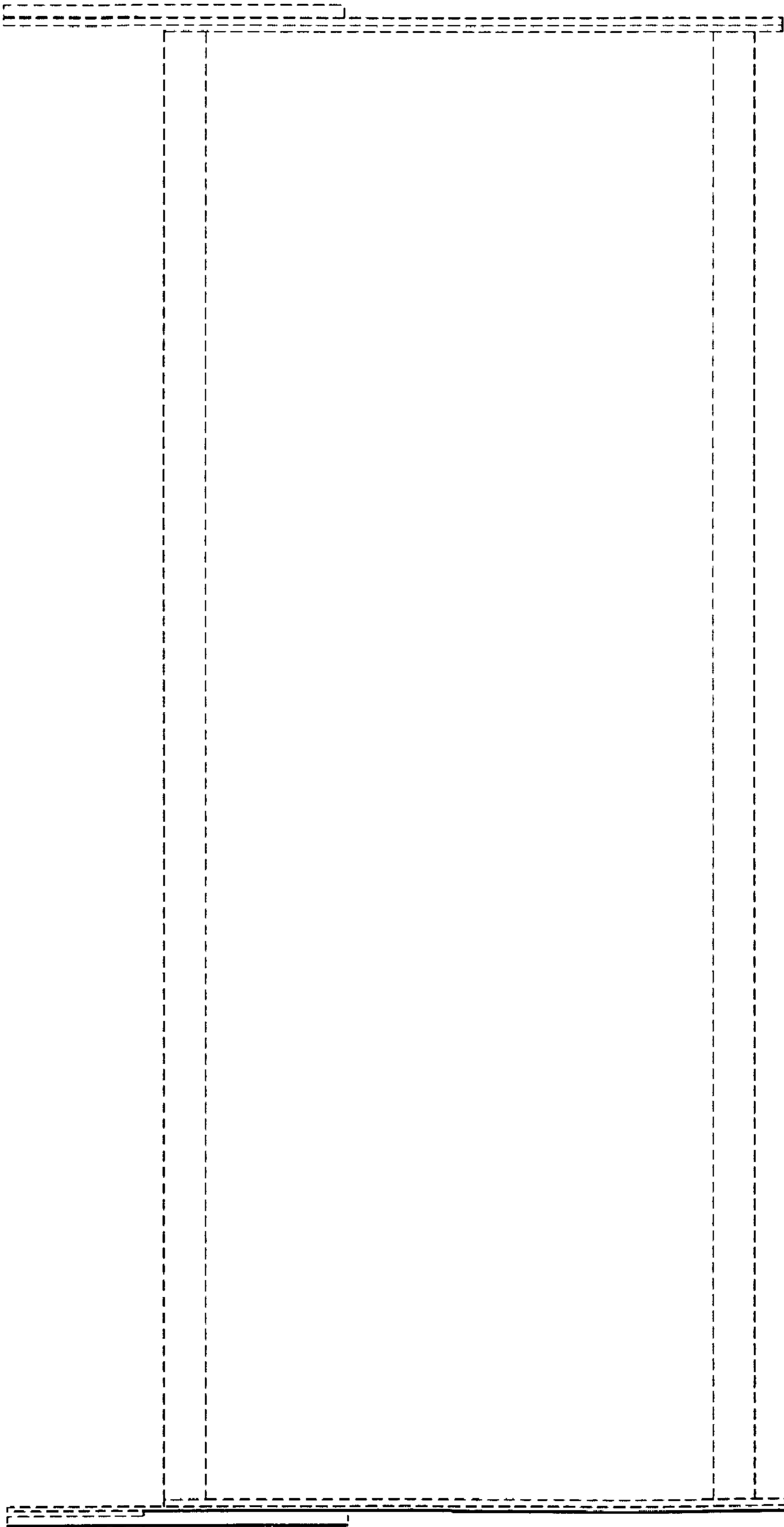


FIG. 6

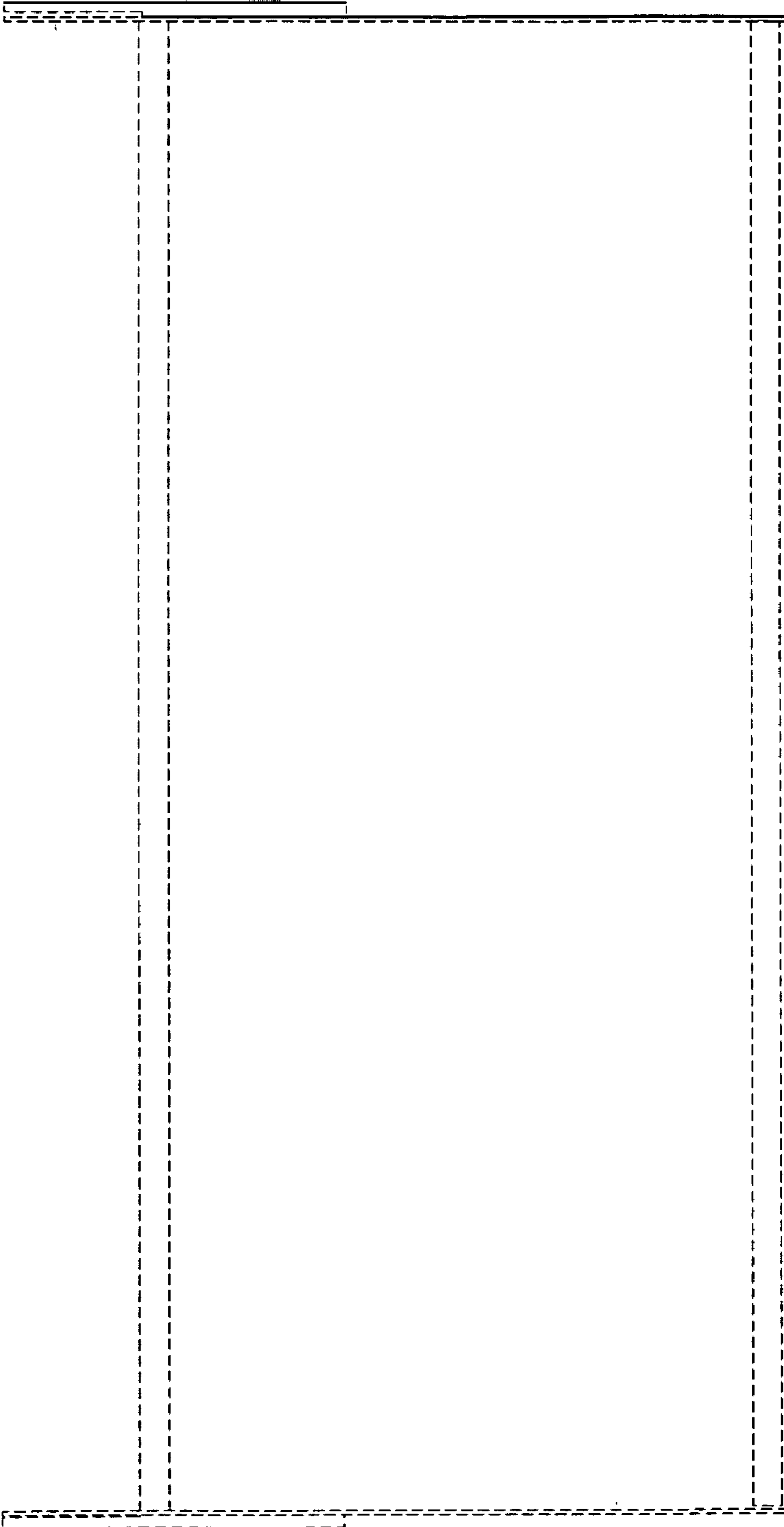


FIG. 7