



US00D597599S

(12) **United States Design Patent**  
**Wang**

(10) **Patent No.:** **US D597,599 S**

(45) **Date of Patent:** **\*\* Aug. 4, 2009**

(54) **PEN**

(75) Inventor: **Weijie Wang**, Ningbo (CN)

(73) Assignee: **Beifa Group Co., Ltd.**, Ningbo (CN)

(\*\*) Term: **14 Years**

(21) Appl. No.: **29/304,853**

(22) Filed: **Mar. 7, 2008**

(30) **Foreign Application Priority Data**

Sep. 11, 2007 (CN) ..... 2007 3 0310937

(51) **LOC (9) Cl.** ..... **19-06**

(52) **U.S. Cl.** ..... **D19/46**

(58) **Field of Classification Search** ..... D19/35,  
D19/36, 41, 42, 43, 44, 45, 46, 47, 48, 49,  
D19/50, 51, 54, 55, 56, 57, 58; D27/146;  
24/11 F, 11 P, 11 R; 401/6, 52, 99, 100,  
401/104, 105, 106, 107, 108, 109, 192, 195,  
401/243, 244, 245, 246, 247; 708/107  
See application file for complete search history.

(56) **References Cited**

**U.S. PATENT DOCUMENTS**

D5,045 S *	6/1871	James	.....	D19/54
D160,670 S *	10/1950	Stern	.....	D11/201
D179,615 S *	1/1957	Spatz	.....	D28/4
D295,878 S	5/1988	Lovell		
D331,778 S *	12/1992	Christen	.....	D19/46
D409,241 S *	5/1999	Melnick	.....	D19/36
5,913,629 A *	6/1999	Hazzard	.....	401/33
D436,622 S *	1/2001	Rosenbaum	.....	D19/36
D436,624 S *	1/2001	Zier	.....	D19/48
D446,212 S *	8/2001	Chang	.....	D14/411
D460,111 S *	7/2002	Veillon	.....	D19/48

D540,865 S *	4/2007	Beno et al.	.....	D19/43
D555,727 S *	11/2007	Bruzzi	.....	D19/48
D561,832 S *	2/2008	Bhavnani	.....	D19/51
D568,939 S *	5/2008	Bhavnani	.....	D19/57
D577,070 S *	9/2008	Qiu et al.	.....	D19/51

**OTHER PUBLICATIONS**

Li, L., "Dual-Tip Highlighter," U.S. Appl. No. 29/284,676, filed Sep. 13, 2007.

\* cited by examiner

*Primary Examiner*—Caron Veynar

*Assistant Examiner*—Karen E Eldridge Powers

(74) *Attorney, Agent, or Firm*—Christensen O'Connor Johnson Kindness PLLC

(57) **CLAIM**

The ornamental design for a pen, as shown and described.

**DESCRIPTION**

FIG. 1 is an upper front right perspective view of a pen showing my new design;

FIG. 2 is an exploded lower front right perspective view thereof;

FIG. 3 is an upper front right perspective view thereof, with the cap removed and placed on the opposite end of the pen;

FIG. 4 is a top plan view of the pen shown in FIG. 1;

FIG. 5 is a bottom plan view thereof;

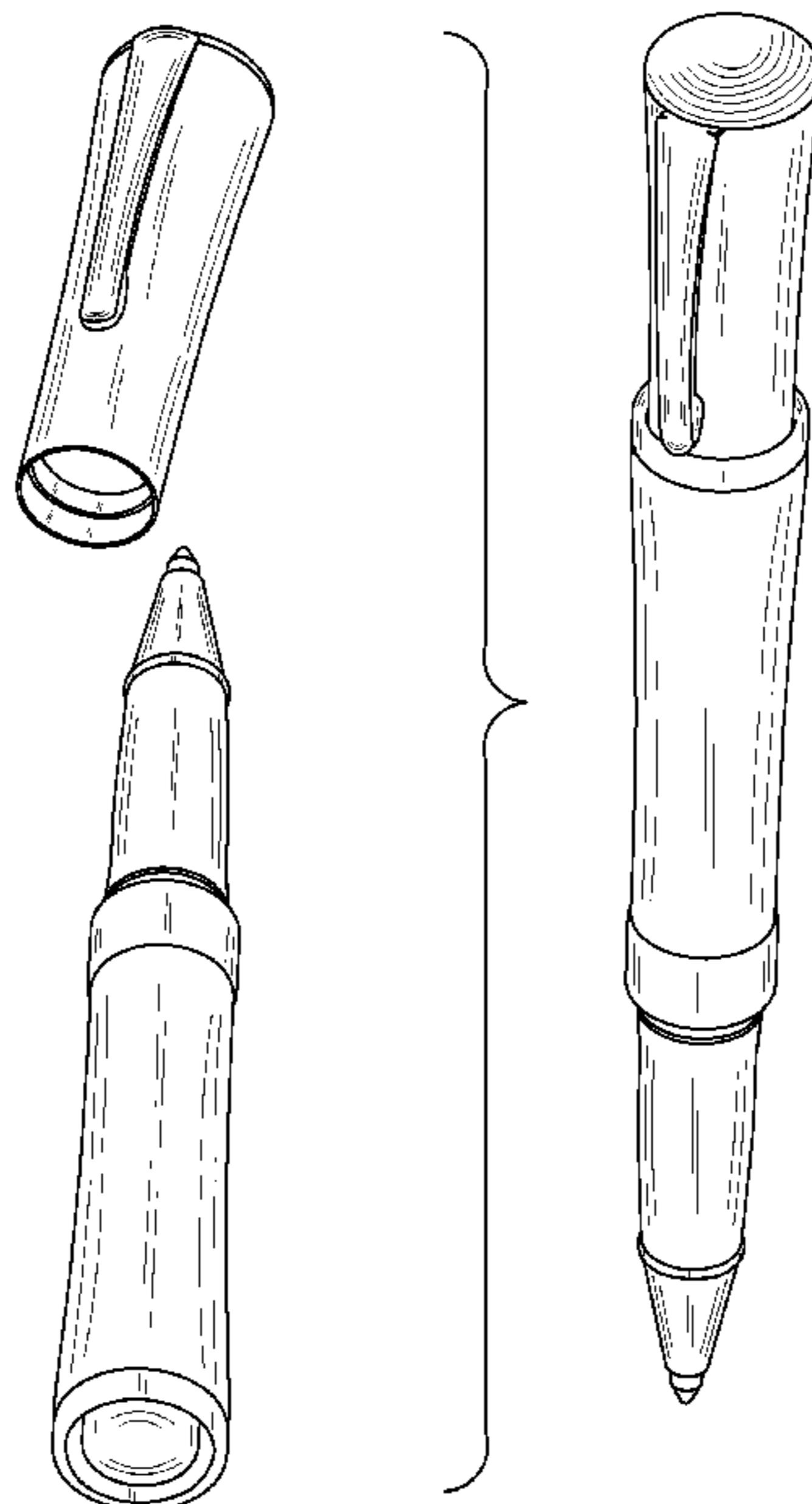
FIG. 6 is a rear elevation view thereof;

FIG. 7 is a left side elevation view thereof;

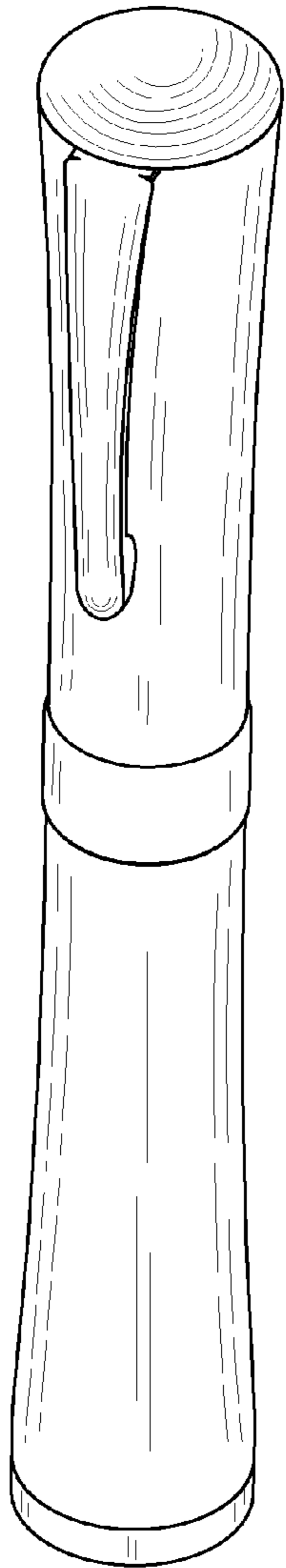
FIG. 8 is a front elevation view thereof; and,

FIG. 9 is a right side elevation view thereof.

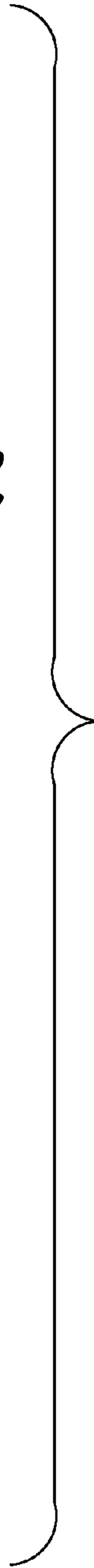
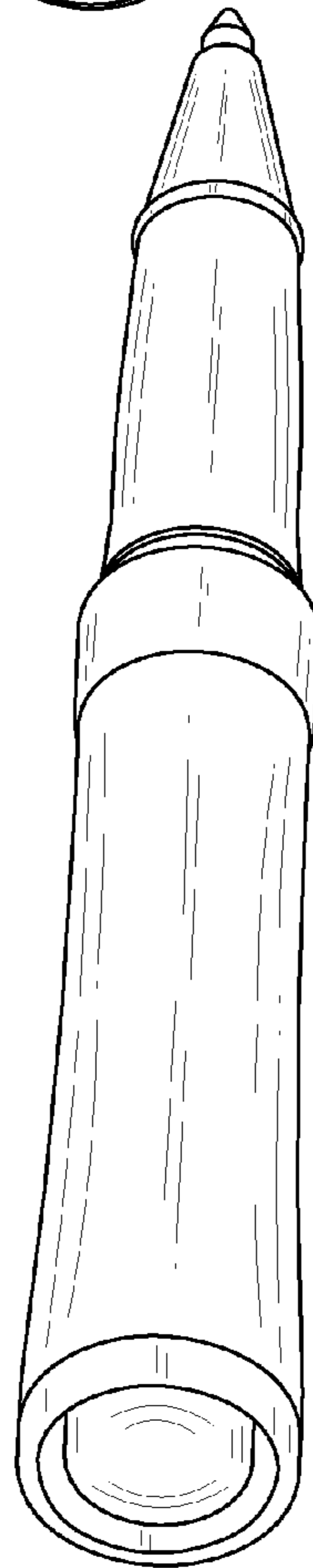
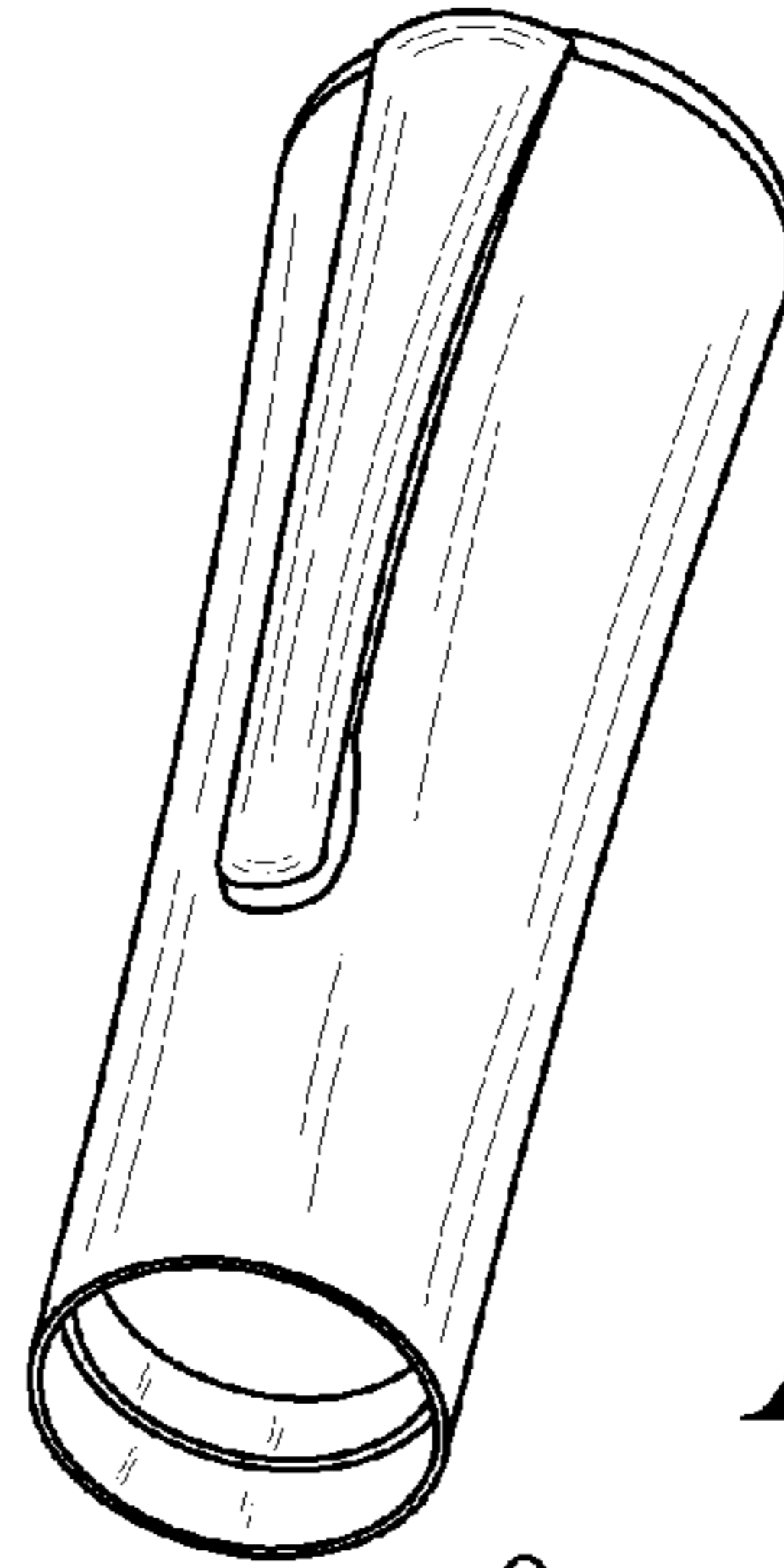
**1 Claim, 4 Drawing Sheets**



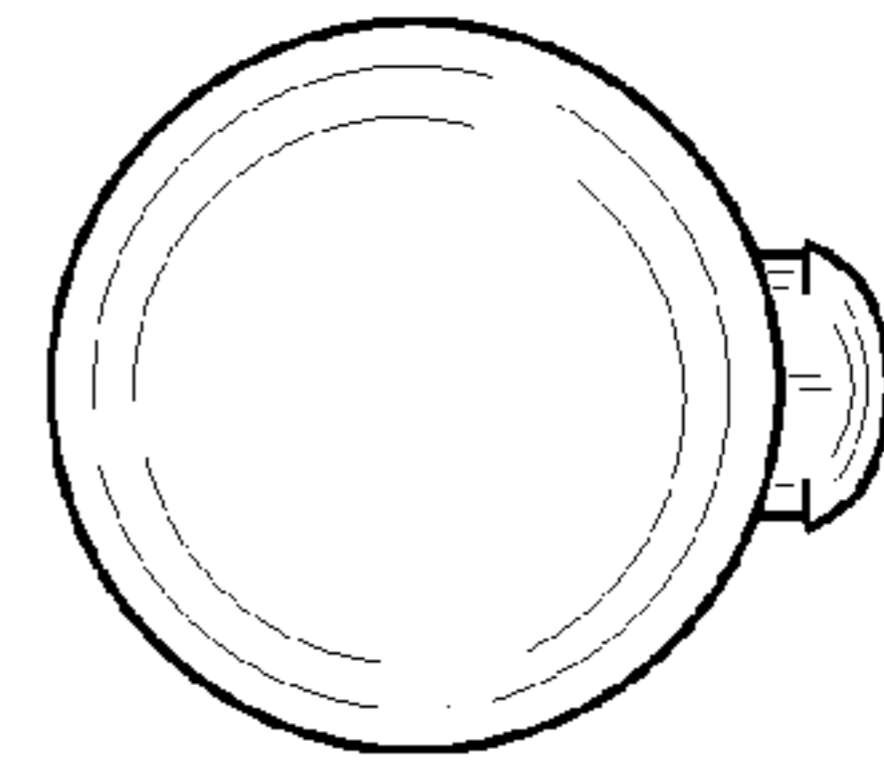
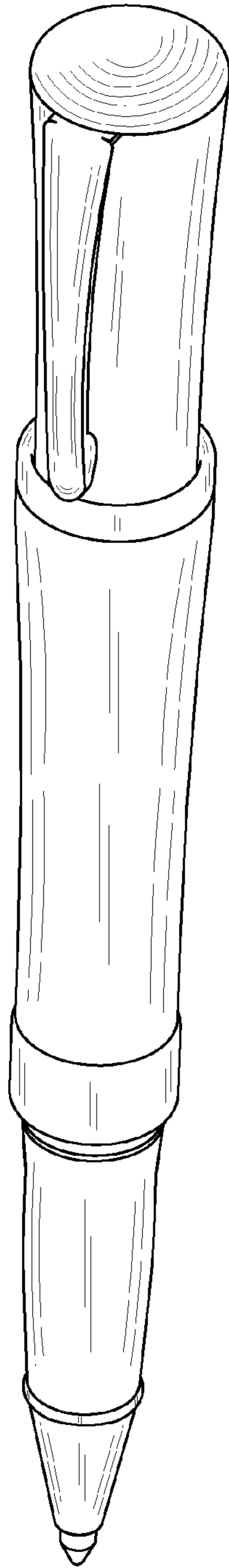
*Fig.1.*



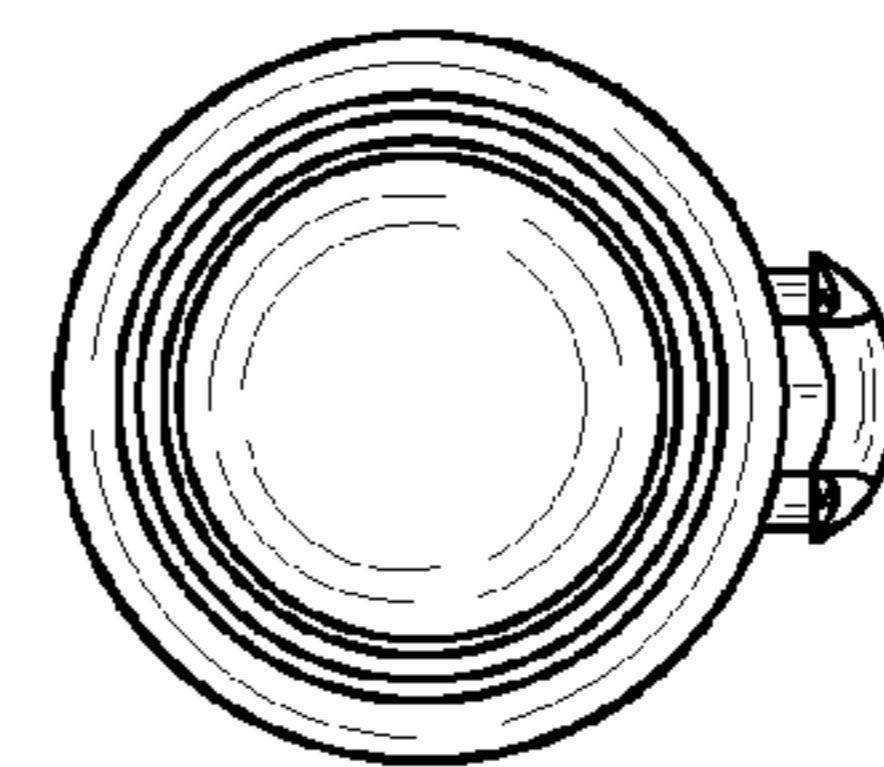
*Fig.2.*



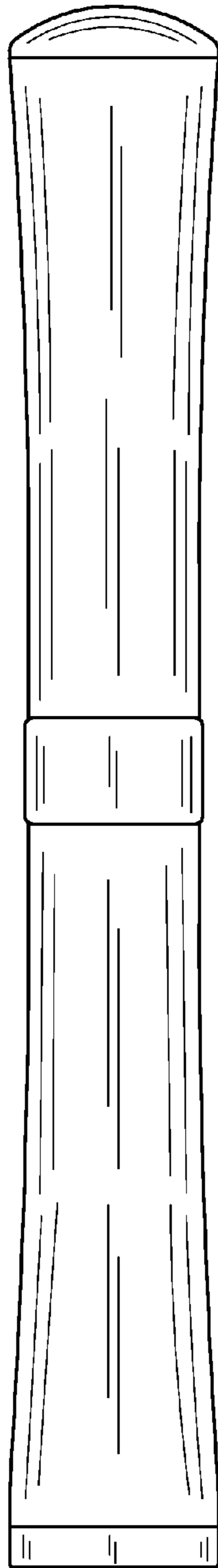
*Fig. 3.*



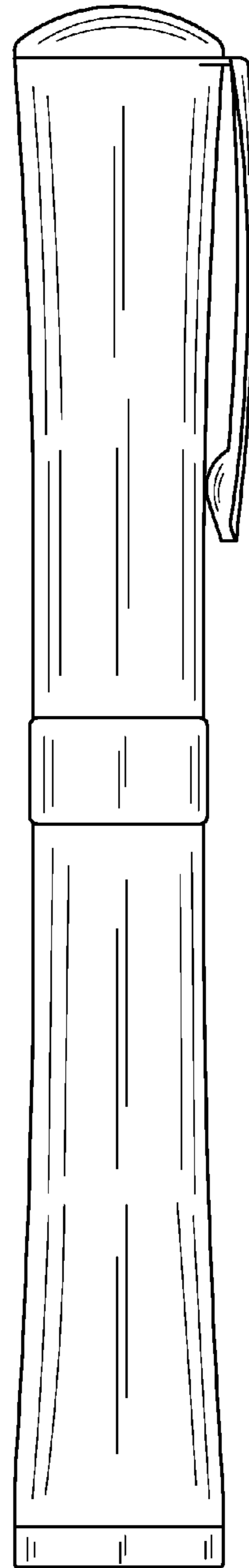
*Fig. 4.*



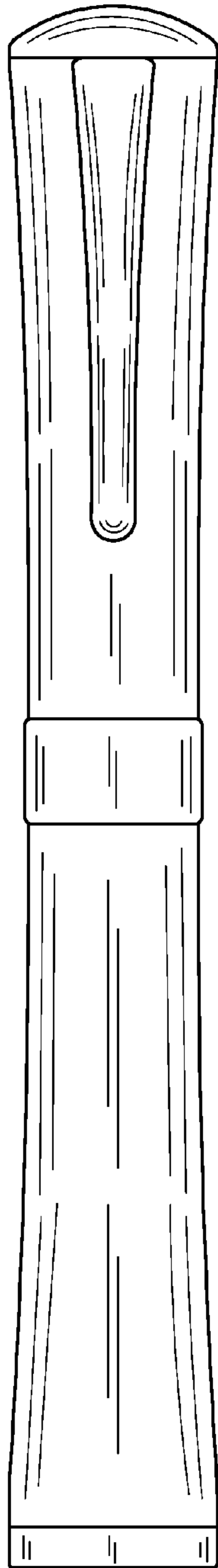
*Fig. 5.*



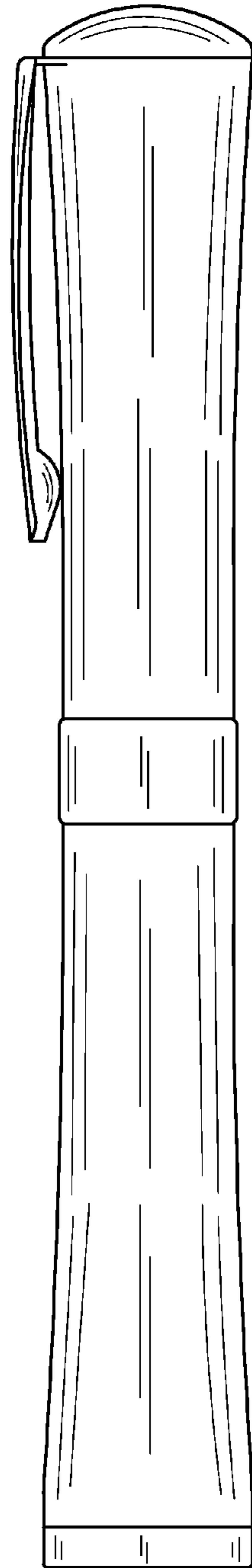
*Fig. 6.*



*Fig. 7.*



*Fig. 8.*



*Fig. 9.*