



US00D597595S

(12) **United States Design Patent**
Nip

(10) **Patent No.:** **US D597,595 S**
(45) **Date of Patent:** **** Aug. 4, 2009**

(54) **INK CARTRIDGE FOR COMPUTER PRINTER**

(75) Inventor: **Shui Kuen Nip**, North Point (HK)

(73) Assignee: **Powerful Way Limited**, North Point (HK)

(**) Term: **14 Years**

(21) Appl. No.: **29/306,395**

(22) Filed: **Apr. 9, 2008**

Related U.S. Application Data

(63) Continuation-in-part of application No. 29/267,962, filed on Oct. 26, 2006, now abandoned.

(51) **LOC (9) Cl.** **18-02**

(52) **U.S. Cl.** **D18/56**

(58) **Field of Classification Search** D18/40,
D18/43, 56; 347/86-87

See application file for complete search history.

(56) **References Cited**

U.S. PATENT DOCUMENTS

D464,371 S	10/2002	Boyd et al.
D466,928 S	12/2002	Boyd et al.
6,604,814 B2	8/2003	Browning et al.
6,733,118 B2	5/2004	Pingrey et al.
D529,084 S	9/2006	Myers et al.
D534,582 S	1/2007	Tajima et al.
D535,688 S	1/2007	Tajima et al.

7,192,129 B2	3/2007	Droege et al.	
2004/0066433 A1 *	4/2004	Pingrey et al.	347/86
2004/0189758 A1	9/2004	Alexia et al.	
2005/0093942 A1 *	5/2005	Kawamura et al.	347/86
2005/0093943 A1	5/2005	O'Hara et al.	
2006/0012651 A1	1/2006	Lee et al.	
2006/0092245 A1	5/2006	Stellbrink	
2006/0238584 A1 *	10/2006	Putman	347/86
2006/0262170 A1 *	11/2006	Putman	347/86
2007/0109371 A1 *	5/2007	Tomioaka et al.	347/86
2007/0159515 A1	7/2007	Droege et al.	
2007/0222837 A1 *	9/2007	Tajima	347/86
2008/0252705 A1 *	10/2008	Amma et al.	347/87

* cited by examiner

Primary Examiner—Cathy Anne MacCormac

(74) *Attorney, Agent, or Firm*—Rabin & Berdo, P.C.

(57) **CLAIM**

The ornamental design for an ink cartridge for computer printer, as shown and described.

DESCRIPTION

FIG. 1 is a front view of an ink cartridge for computer printer showing my new design;

FIG. 2 is a rear view thereof;

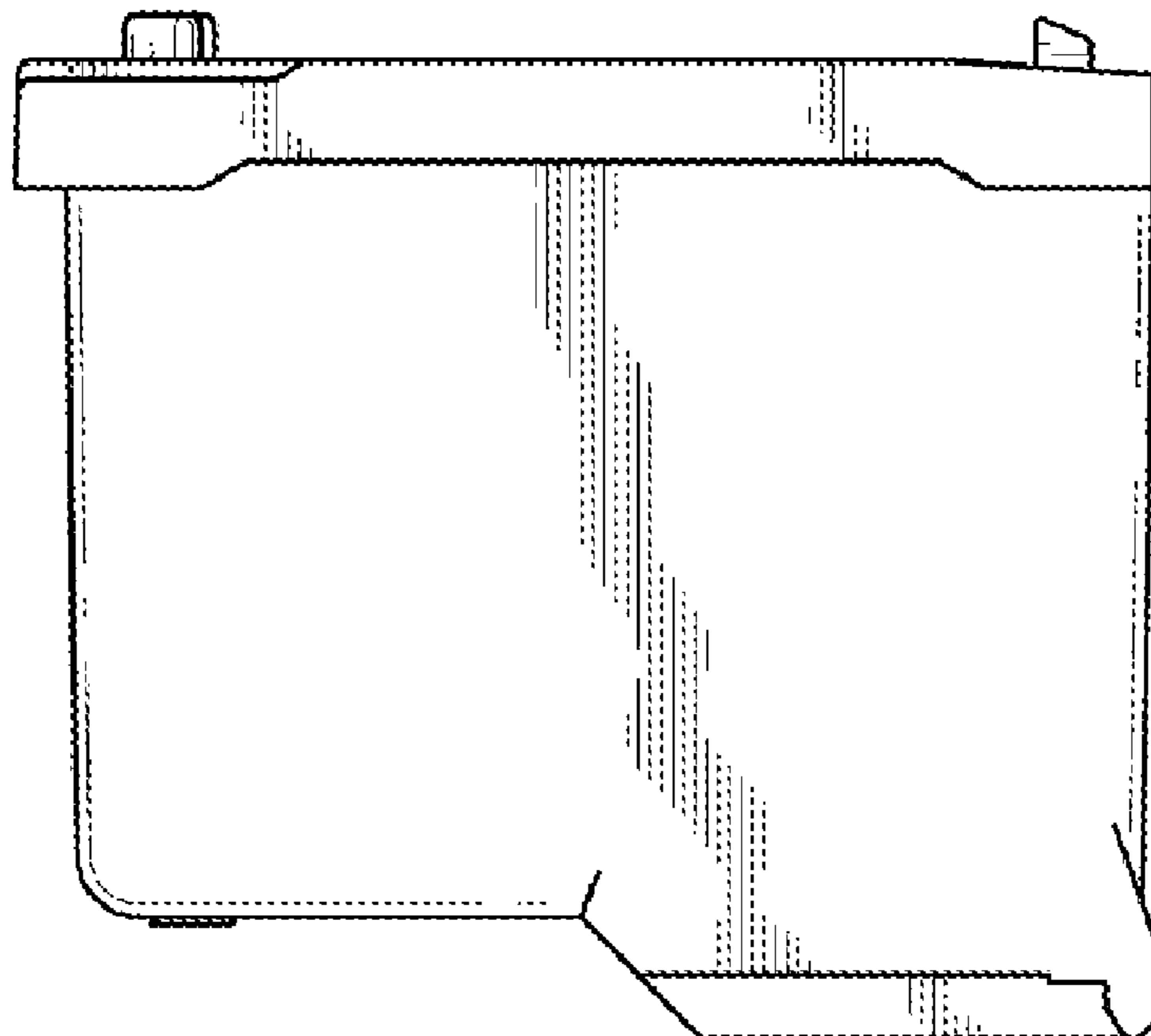
FIG. 3 is a left side view thereof;

FIG. 4 is a right side view thereof;

FIG. 5 is a top view thereof; and,

FIG. 6 is a bottom view thereof.

1 Claim, 3 Drawing Sheets



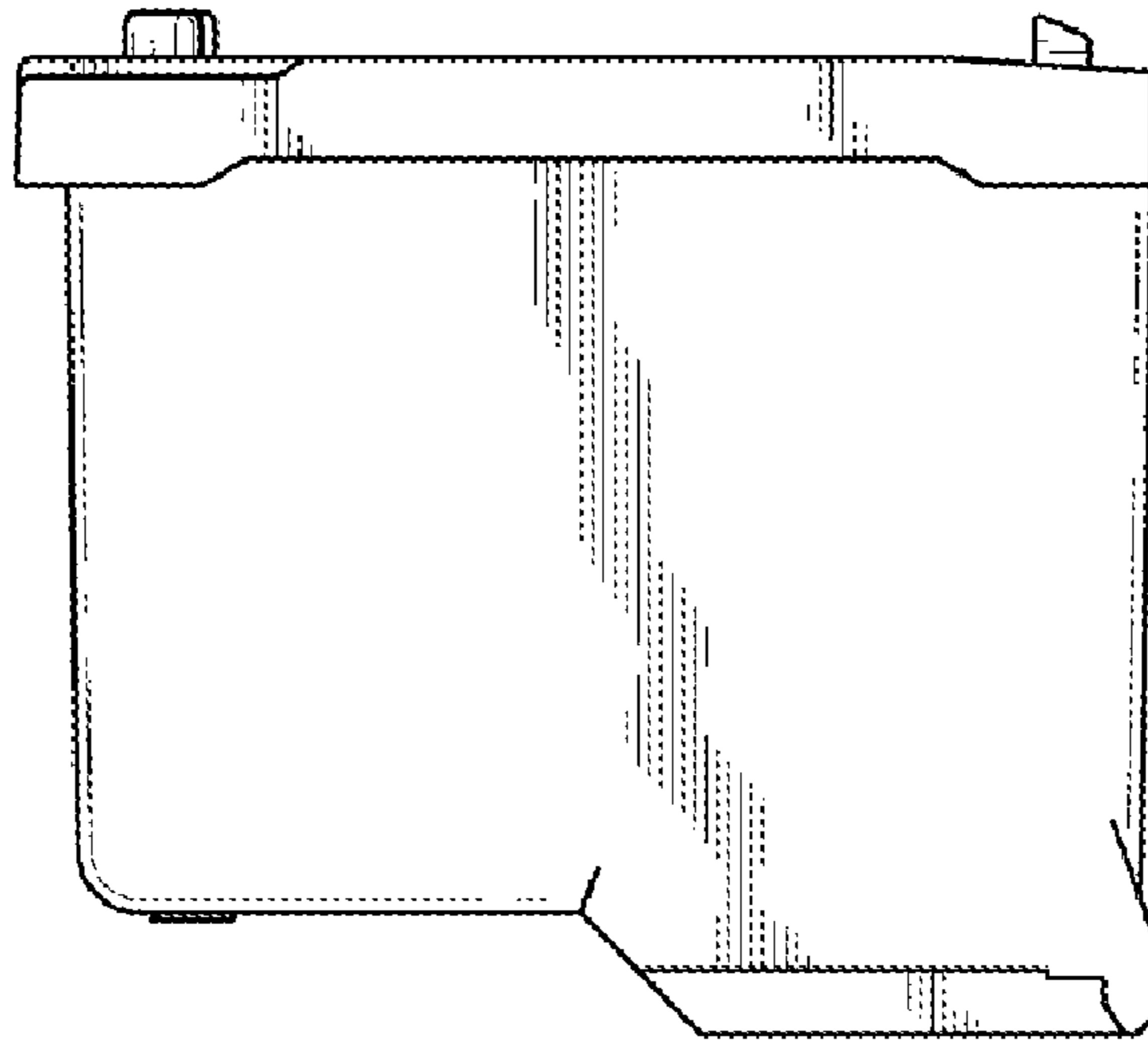


FIG. 1

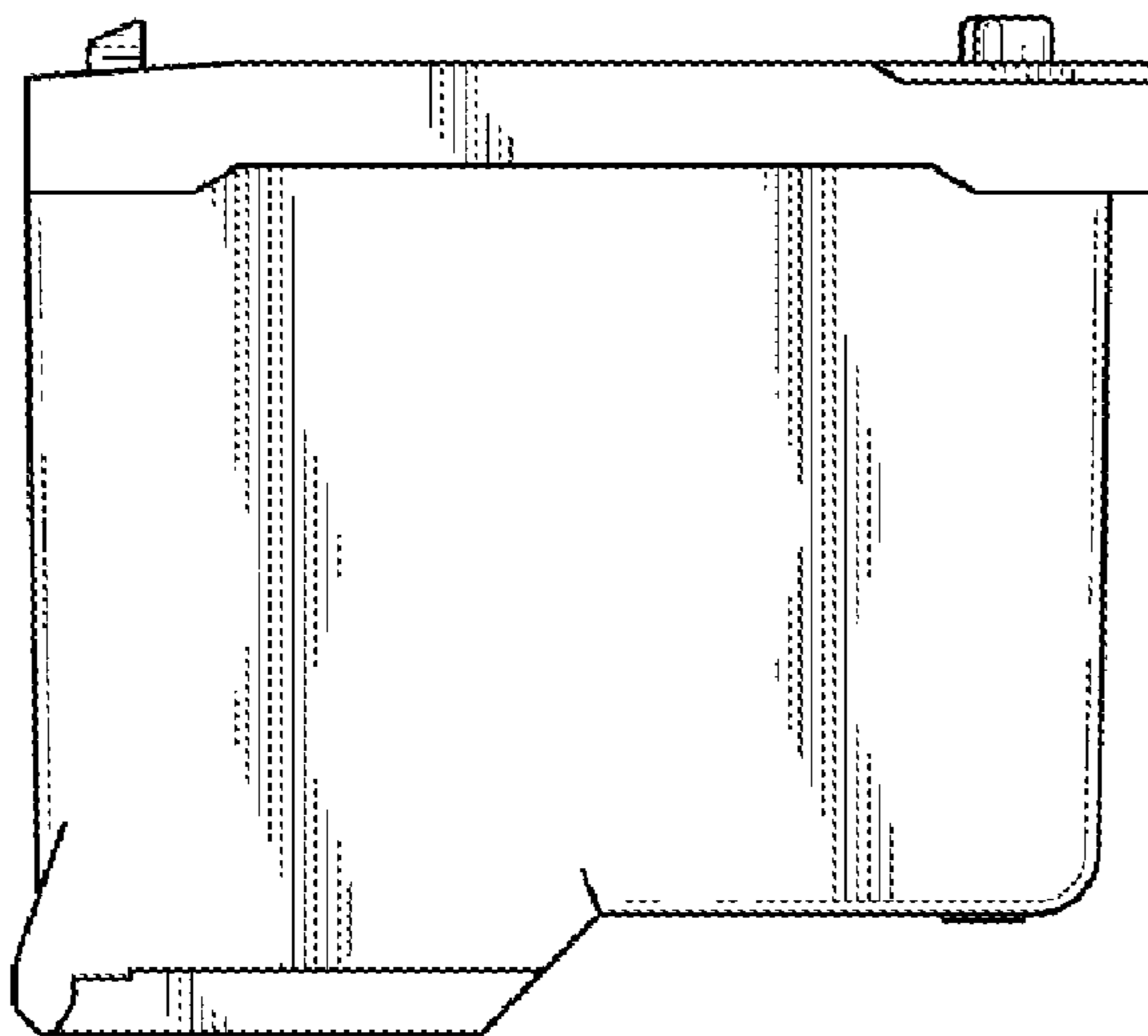


FIG. 2

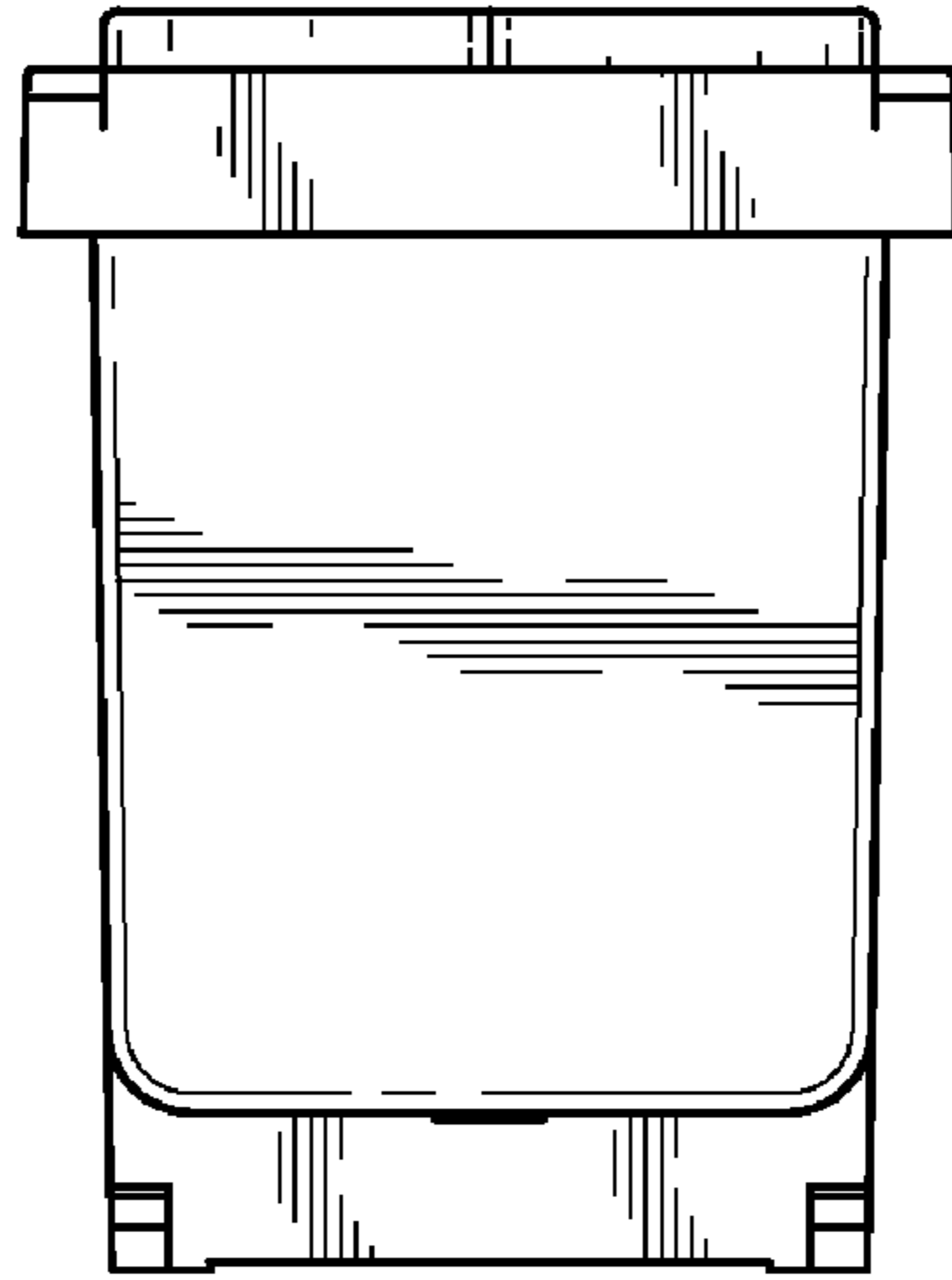


FIG. 3

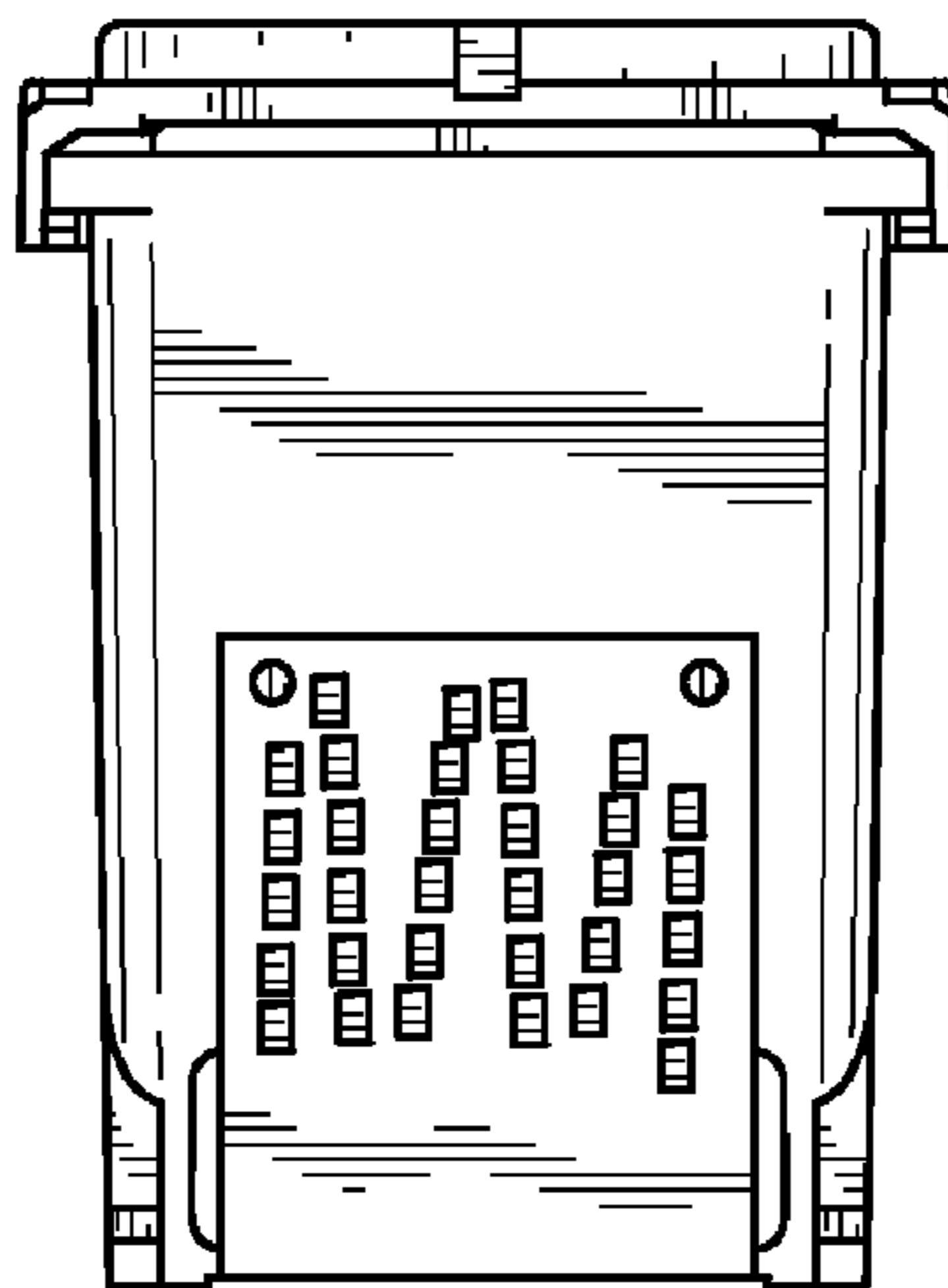


FIG. 4

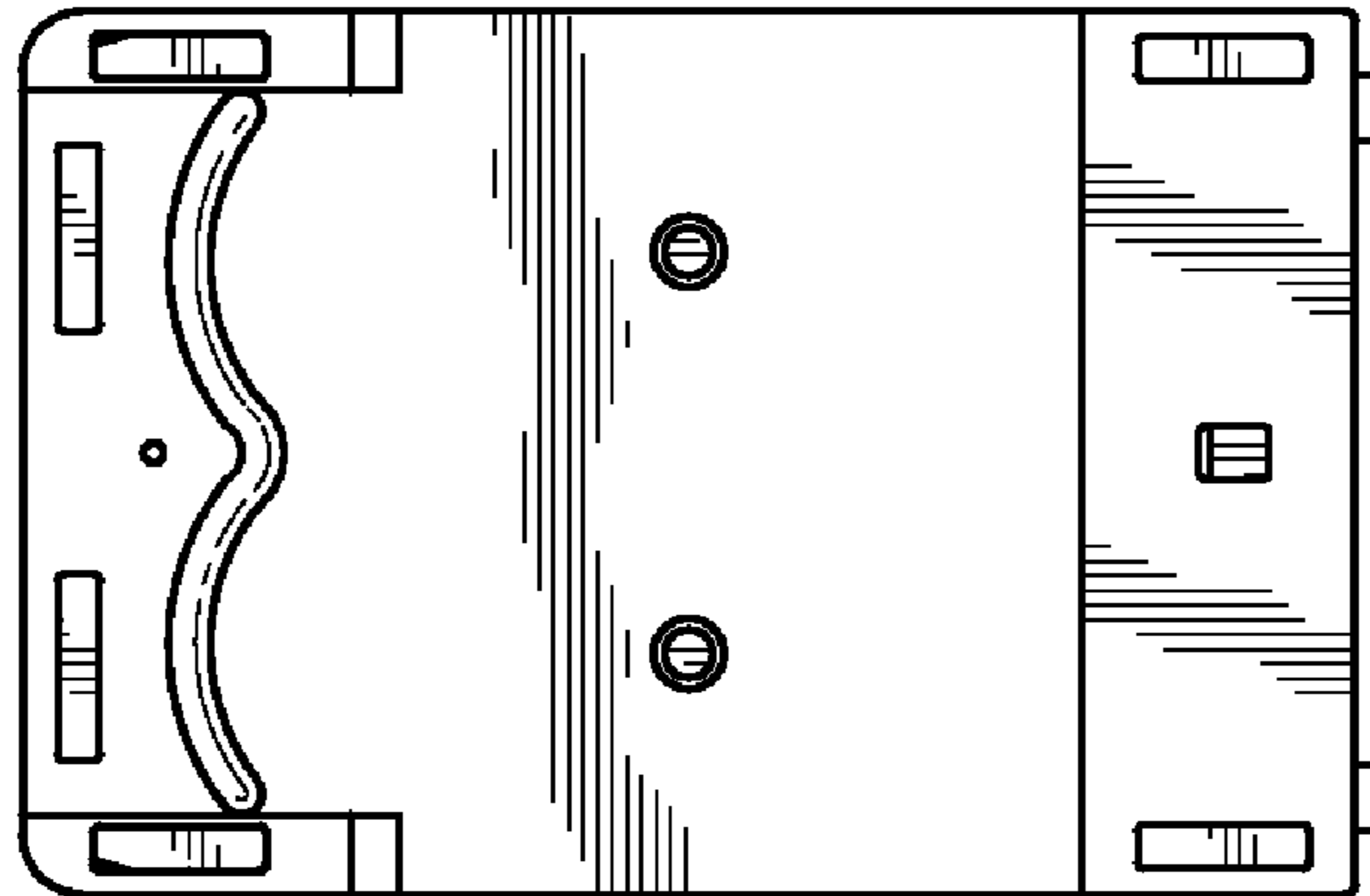


FIG. 5

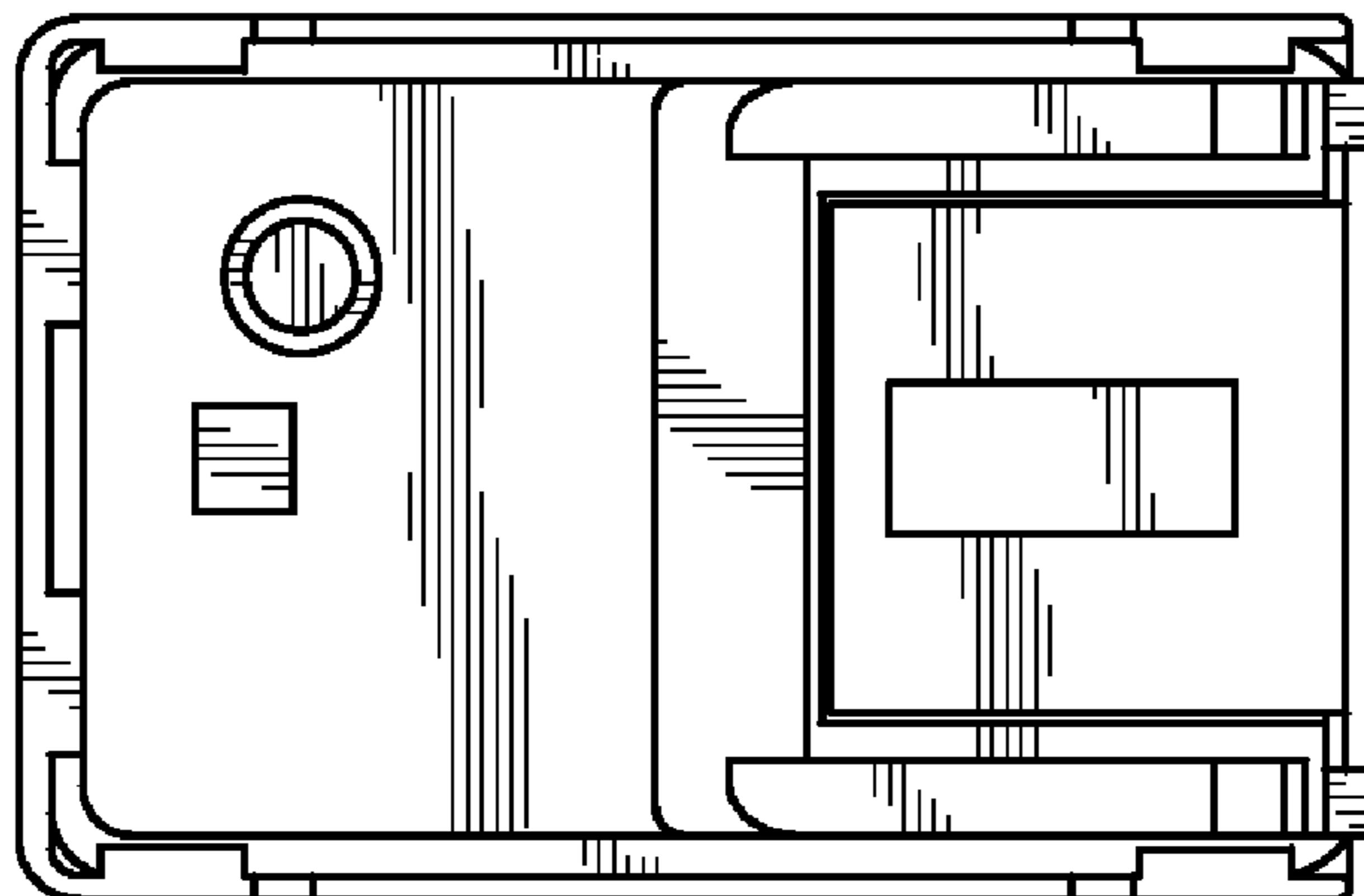


FIG. 6