



US00D597594S

(12) **United States Design Patent**
Ito et al.

(10) **Patent No.:** **US D597,594 S**
(45) **Date of Patent:** **** Aug. 4, 2009**

(54) **CARTRIDGE FOR PRINTER**

(75) Inventors: **Akihito Ito**, Tokyo (JP); **Yoshifumi Yamamoto**, Tokyo (JP); **Nobuzumi Kurihara**, Tokyo (JP)

(73) Assignee: **Mitsubishi Electric Corporation**, Tokyo (JP)

(**) Term: **14 Years**

(21) Appl. No.: **29/274,313**

(22) Filed: **Apr. 13, 2007**

(30) **Foreign Application Priority Data**

Oct. 13, 2006 (JP) 2006-027651

(51) **LOC (9) Cl.** **18-02**

(52) **U.S. Cl.** **D18/56; 347/214**

(58) **Field of Classification Search** D18/12,
D18/56; 347/214; 400/207-208
See application file for complete search history.

(56) **References Cited**

U.S. PATENT DOCUMENTS

| | | | | |
|-----------|-----|---------|----------------|---------|
| 4,160,605 | A * | 7/1979 | Neubaum | 400/208 |
| 4,970,531 | A * | 11/1990 | Shimizu et al. | 347/214 |
| 5,035,325 | A * | 7/1991 | Kitsuki | 400/208 |
| 5,079,565 | A * | 1/1992 | Shimizu et al. | 400/208 |
| 5,110,228 | A * | 5/1992 | Yokomizo | 400/208 |
| RE34,521 | E * | 1/1994 | Shimizu et al. | 400/208 |
| 5,393,149 | A * | 2/1995 | Iima | 400/208 |
| 5,399,035 | A * | 3/1995 | Nakae | 400/207 |
| 5,584,587 | A * | 12/1996 | Koike et al. | 400/207 |
| D383,743 | S * | 9/1997 | Suwa et al. | D18/56 |

| | | | | |
|--------------|------|---------|------------------|---------|
| 5,709,485 | A * | 1/1998 | Kohno | 400/208 |
| 5,719,616 | A * | 2/1998 | Danjo et al. | 347/214 |
| 5,865,545 | A * | 2/1999 | Kondo | 400/207 |
| D432,561 | S * | 10/2000 | Shimamura et al. | D18/12 |
| D514,153 | S * | 1/2006 | Tu | 400/208 |
| D521,052 | S * | 5/2006 | Tu | D18/12 |
| D523,062 | S * | 6/2006 | Tu | D18/12 |
| D523,063 | S * | 6/2006 | Tu | D18/12 |
| D523,891 | S * | 6/2006 | Tu | D18/12 |
| D544,910 | S * | 6/2007 | Wang | D18/56 |
| 2007/0274757 | A1 * | 11/2007 | Motoki | 400/208 |

* cited by examiner

Primary Examiner—Cathy Anne MacCormac

(74) *Attorney, Agent, or Firm*—Sughrue Mion, PLLC

(57) **CLAIM**

The ornamental design for a cartridge for printer, as shown and described.

DESCRIPTION

FIG. 1 is a front, top and right side perspective view of a cartridge for printer, showing our new design;

FIG. 2 is a front elevational view thereof;

FIG. 3 is a rear elevational view thereof;

FIG. 4 is a top plan view thereof;

FIG. 5 is a bottom plan view thereof;

FIG. 6 is a right side elevational view thereof;

FIG. 7 is a left side elevational view thereof; and,

FIG. 8 is an enlarged cross-sectional view thereof; taken along line 8—8 of FIG. 2, with the internal system omitted.

1 Claim, 3 Drawing Sheets

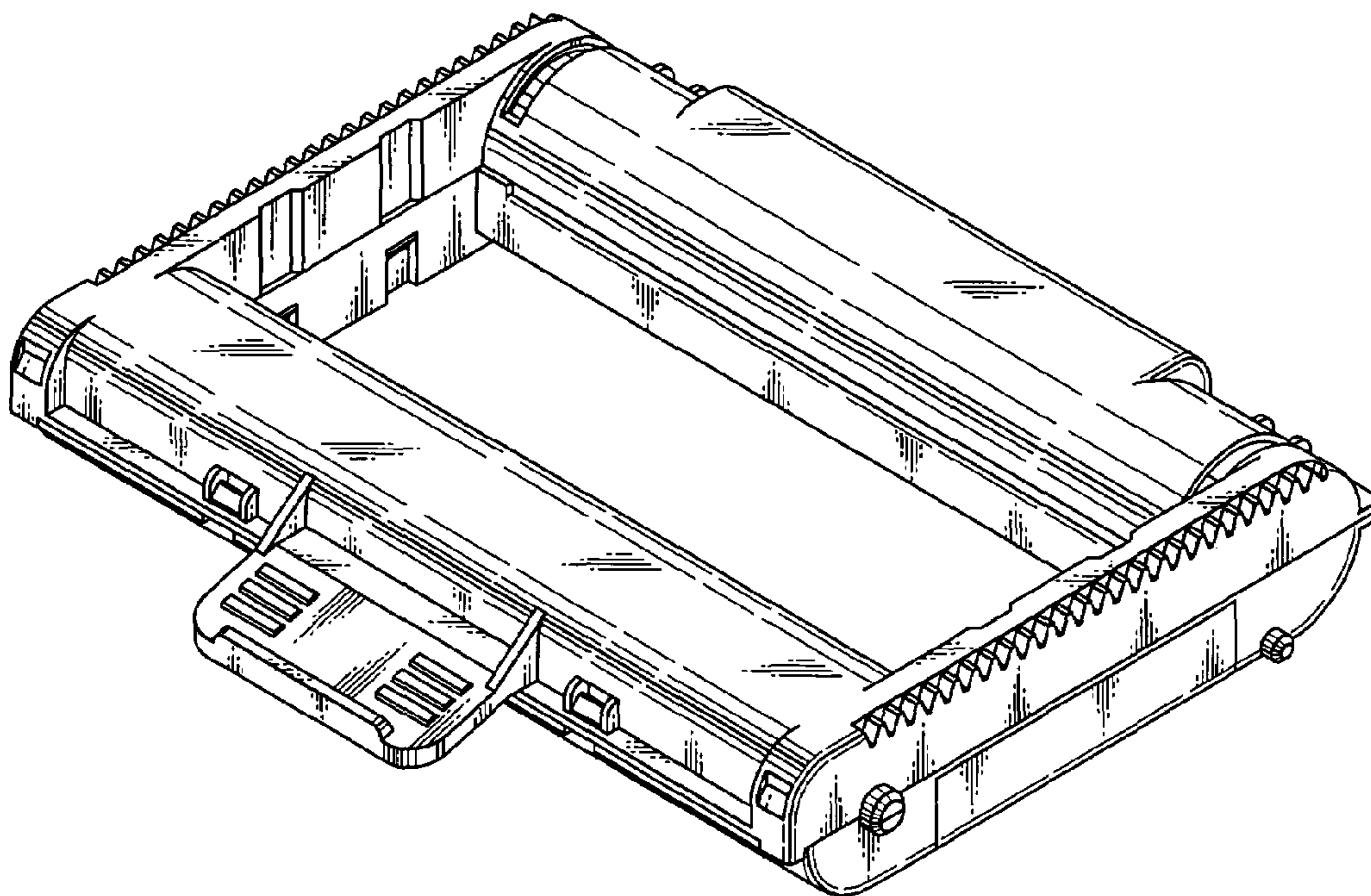


FIG. 1

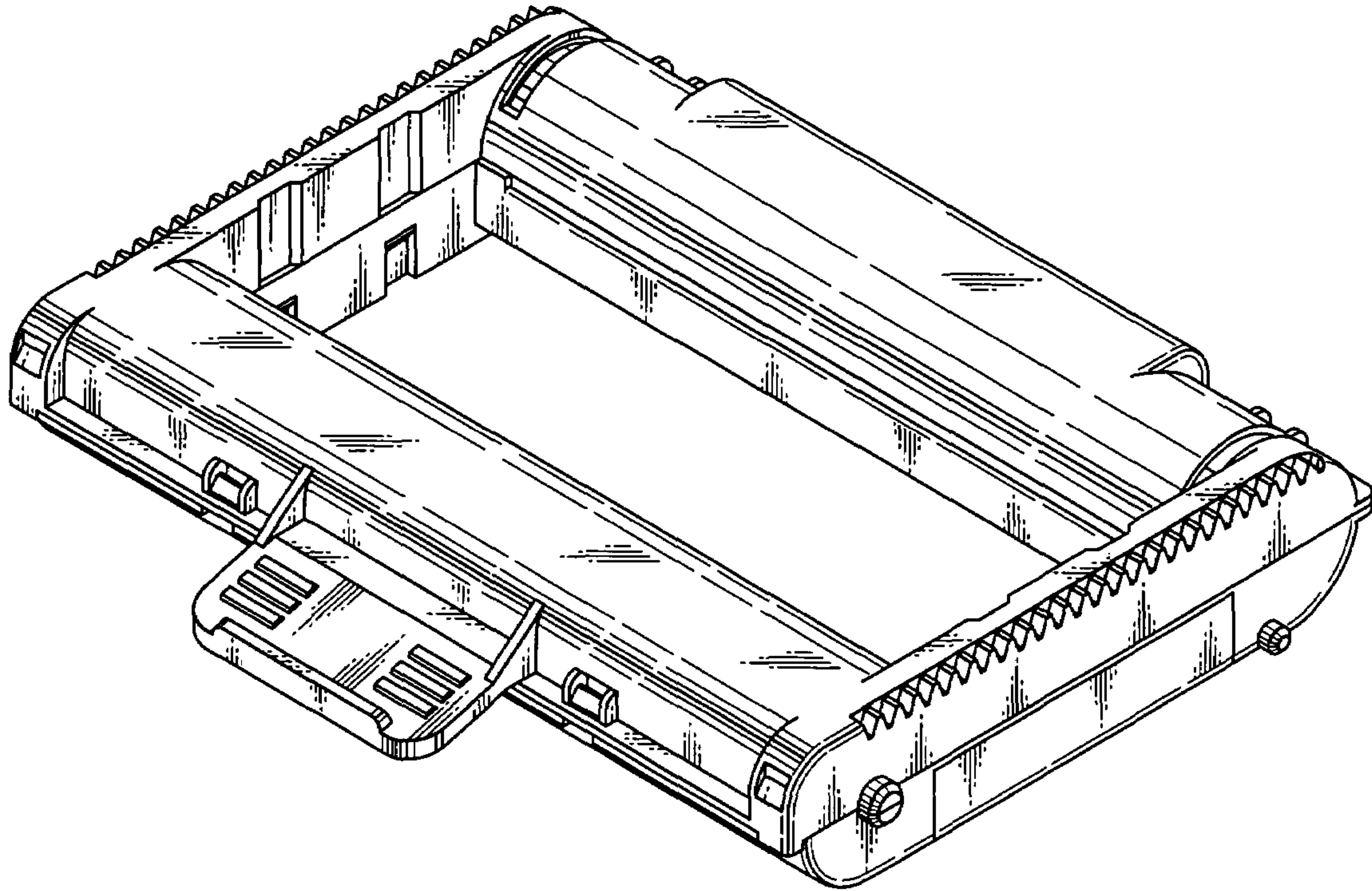
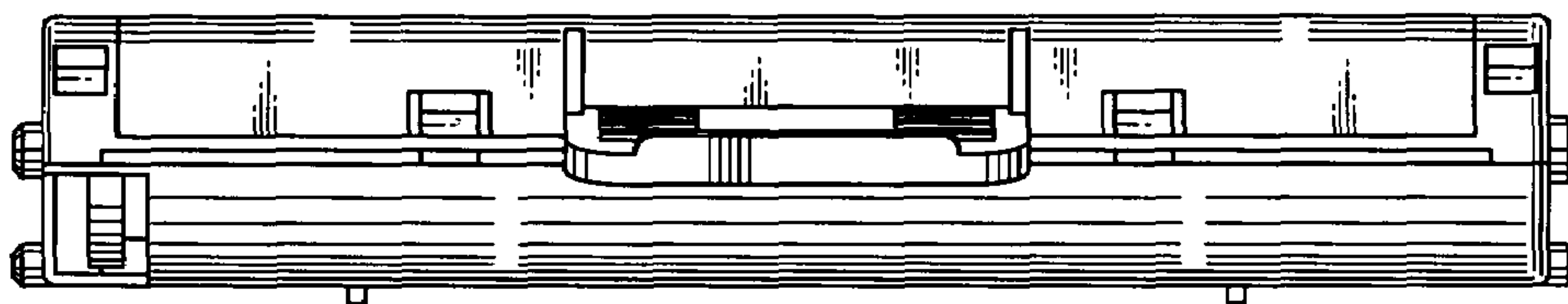


FIG. 2

8 ←



8 ←

FIG. 3

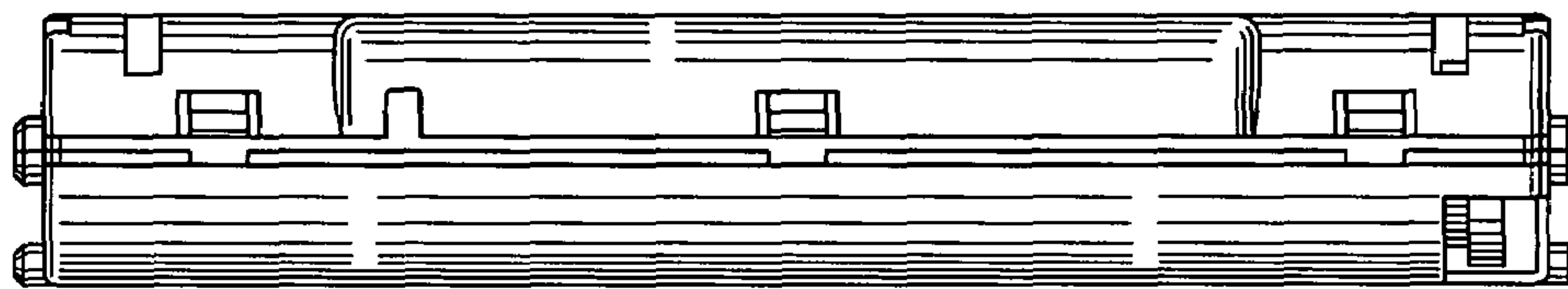


FIG. 4

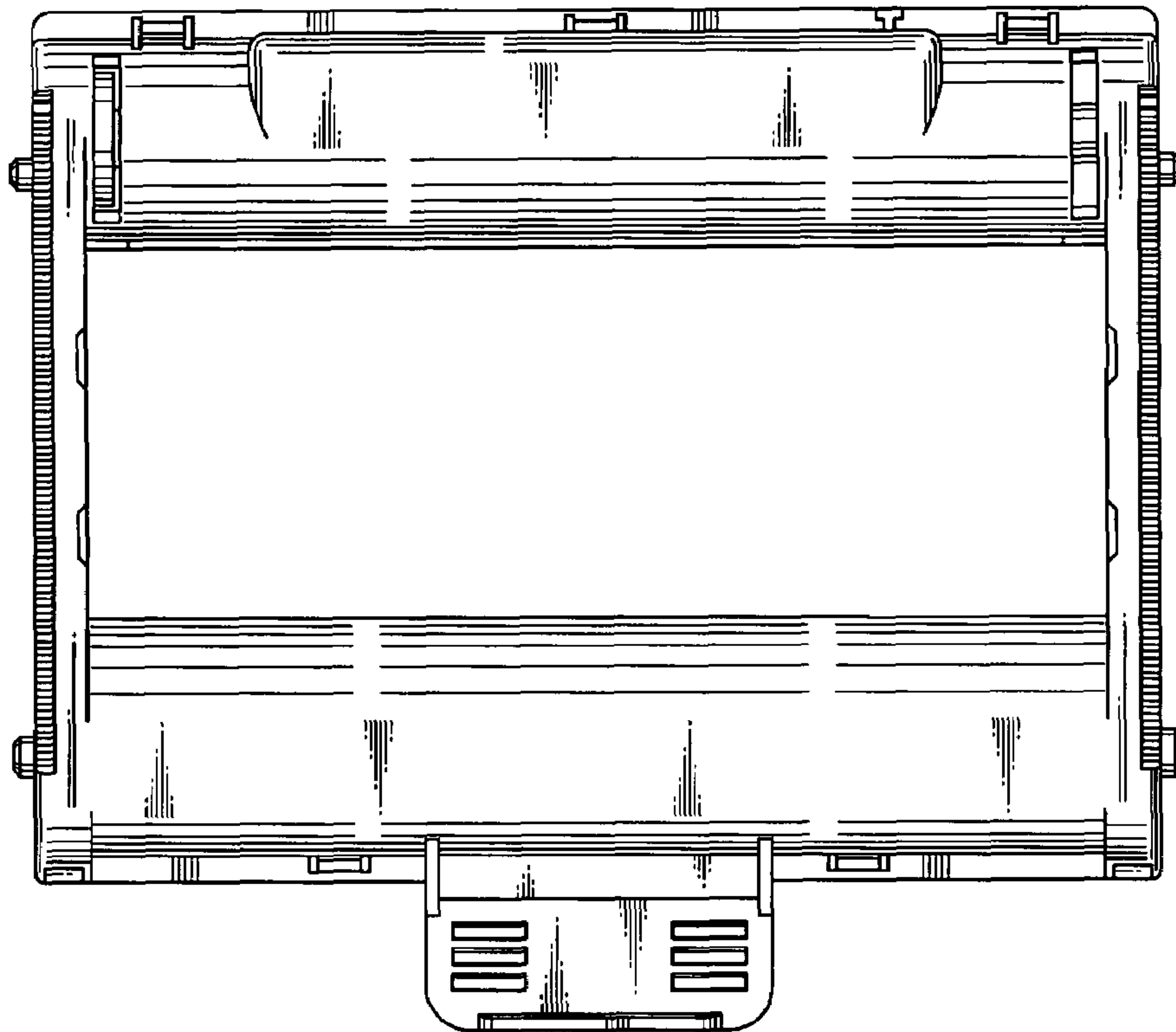


FIG. 5

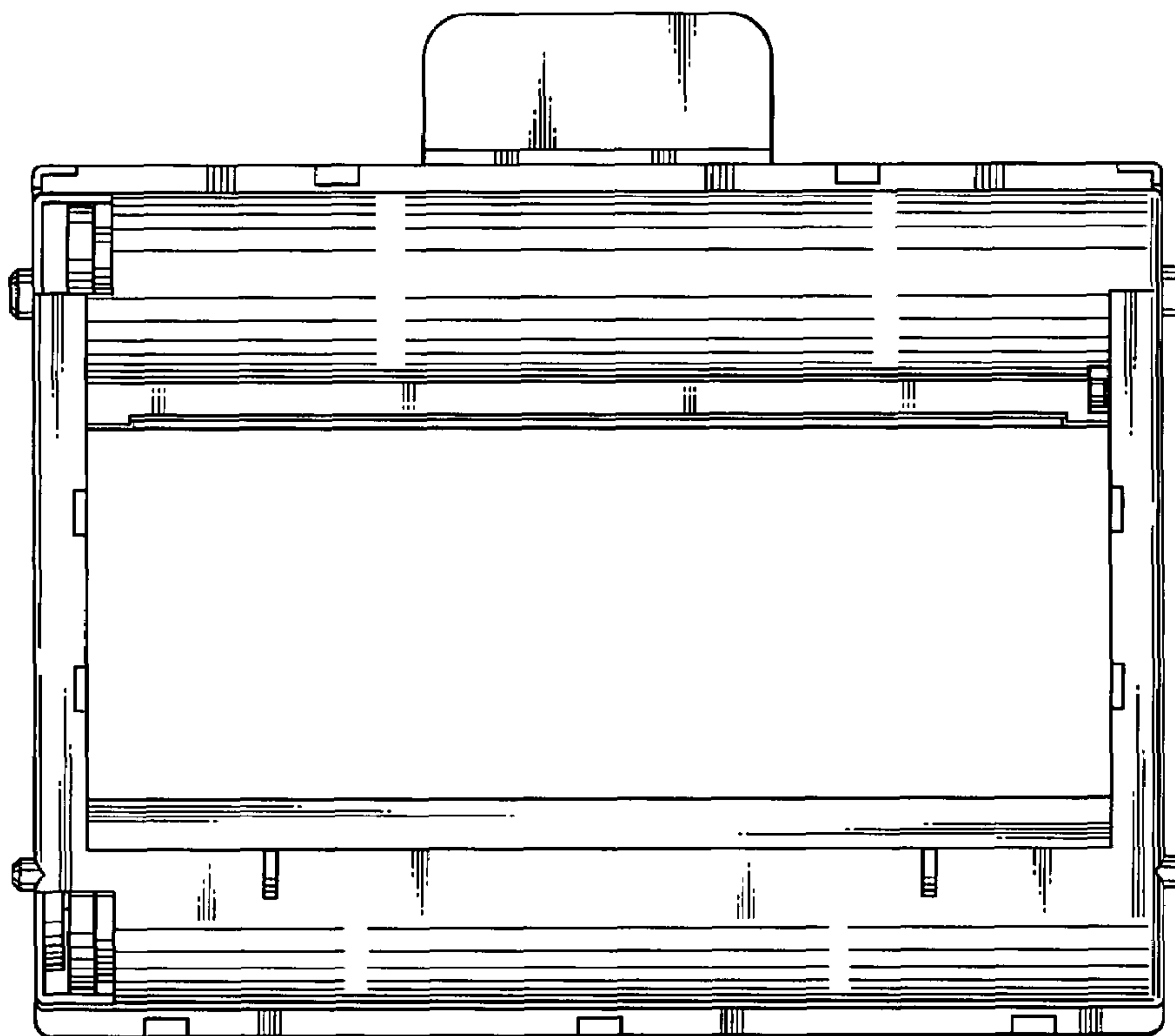


FIG.6

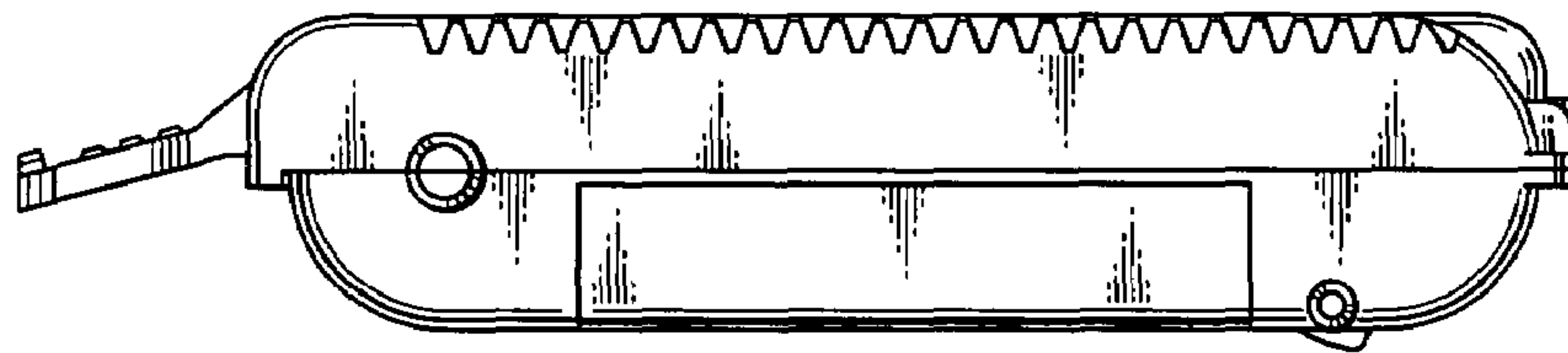


FIG.7

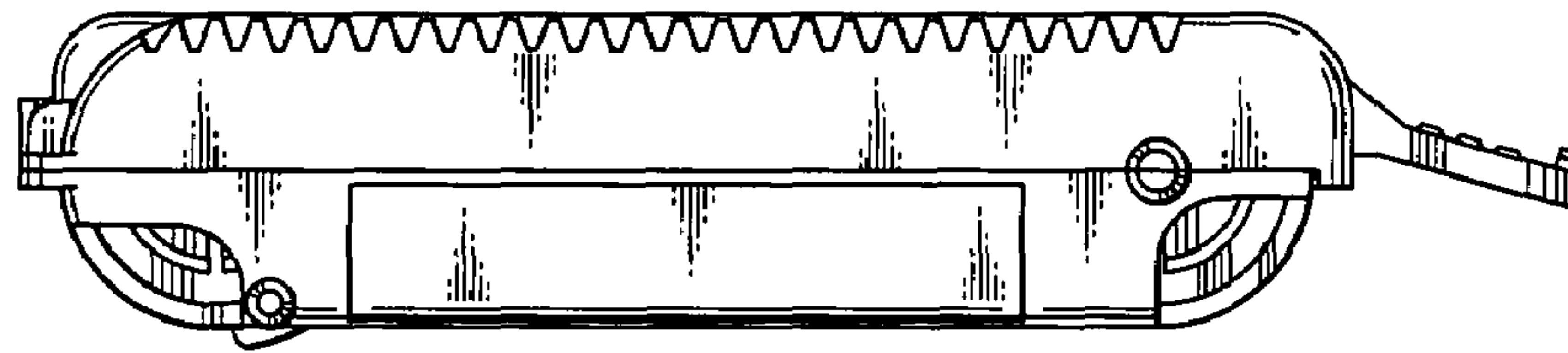


FIG.8

