



US00D597593S

(12) **United States Design Patent**  
**Jeon et al.**

(10) **Patent No.:** **US D597,593 S**  
(45) **Date of Patent:** **\*\* Aug. 4, 2009**

(54) **DEVELOPING DEVICE FOR COLOR LASER PRINTER**

(75) Inventors: **In-Cheol Jeon**, Kyunggi-do (KR);  
**Ho-Jin Jang**, Incheon (KR)

(73) Assignee: **Samsung Electronics Co., Ltd.**,  
Kyunggi-do (KR)

(\*\*) Term: **14 Years**

(21) Appl. No.: **29/308,024**

(22) Filed: **May 22, 2008**

(51) **LOC (9) Cl.** ..... **16-03**

(52) **U.S. Cl.** ..... **D18/43**

(58) **Field of Classification Search** ..... D14/471;  
D18/12, 36, 40, 43, 44, 56; 222/DIG. 1;  
347/197, 222; 399/24–28, 107–112, 119,  
399/121, 122, 222–224

See application file for complete search history.

(56) **References Cited**

**U.S. PATENT DOCUMENTS**

D356,107 S *	3/1995	Watanabe et al.	.....	D18/43
D378,830 S	4/1997	Kim		
D438,892 S *	3/2001	Suzuki et al.	.....	D18/40
D538,850 S	3/2007	Choi et al.		
D539,335 S	3/2007	Jeon et al.		
D544,528 S	6/2007	Kim		
D546,382 S	7/2007	Noh et al.		
D547,368 S	7/2007	Han		
D548,741 S *	8/2007	Wishneusky et al.	.....	D14/471
D551,286 S	9/2007	Han		
D555,193 S	11/2007	Choi		
D570,403 S	6/2008	Park et al.		

**OTHER PUBLICATIONS**

U.S. Appl. No. 29/270,054, Applicant: Se-Il Kwon, filed Dec. 13, 2006 entitled Cartridge for Laser Compound Device.

U.S. Appl. No. 29/270,051, Applicant: Jong-Hyun Park, filed Dec. 13, 2006 entitled Toner Cartridge.

U.S. Appl. No. 29/291,994, Applicant: Min-su Han, filed Sep. 25, 2007 entitled Development Device for Laser Printer.

U.S. Appl. No. 29/292,077, Applicant: Gyeong-Sun Park, et al., filed Sep. 27, 2007 entitled Development Device for Laser Printer.

U.S. Appl. No. 29/292,095, Applicant: Gyeong-Sun Park, et al., filed Sep. 27, 2007 entitled Toner Cartridge.

U.S. Appl. No. 29/292,075, Applicant: Gyeong-Sun Park, et al., filed Sep. 27, 2007 entitled Toner Cartridge.

U.S. Appl. No. 29/294,095, Applicant: Jai-Il Choi, et al., filed Dec. 21, 2007 entitled Developing Device for Laser Printer.

U.S. Appl. No. 29/292,083, Applicant: Gyeong-Sun Park, filed Sep. 27, 2007 entitled Toner for Printer.

U.S. Appl. No. 29/294,096, Applicant: Myoung-Su Baek, et al., filed Dec. 21, 2007 entitled Cartridge for Image Developing Device.

U.S. Appl. No. 29/292,076, Applicant: Gyeong-Sun Park, et al., filed Sep. 27, 2007 entitled Toner for Printer.

U.S. Appl. No. 29/308,015, Applicant: Joo-Hwan Noh, et al., filed May 22, 2008 entitled Developing Device for Printer.

U.S. Appl. No. 29/308,009, Applicant: Sung-Joo Kim, filed May 22, 2008 entitled Toner Cartridge.

U.S. Appl. No. 29/308,008, Applicant: Jong-Hwa Park, filed May 22, 2008 entitled Toner Cartridge.

U.S. Appl. No. 29/308,014, Applicant: Dae-Ho Kim, filed May 22, 2008 entitled Developing Device for Color Laser Printer.

\* cited by examiner

*Primary Examiner*—Caron Veynar

*Assistant Examiner*—Garth Rademaker

(74) *Attorney, Agent, or Firm*—Flynn, Thiel, Boutell & Tanis, P.C.

(57) **CLAIM**

The ornamental design for a developing device for color laser printer, as shown and described.

**DESCRIPTION**

FIG. 1 is a top front perspective view of a developing device for color laser printer showing our new design;

FIG. 2 is a front elevational view thereof;

FIG. 3 is a rear elevational view thereof;

FIG. 4 is a left side elevational view thereof;

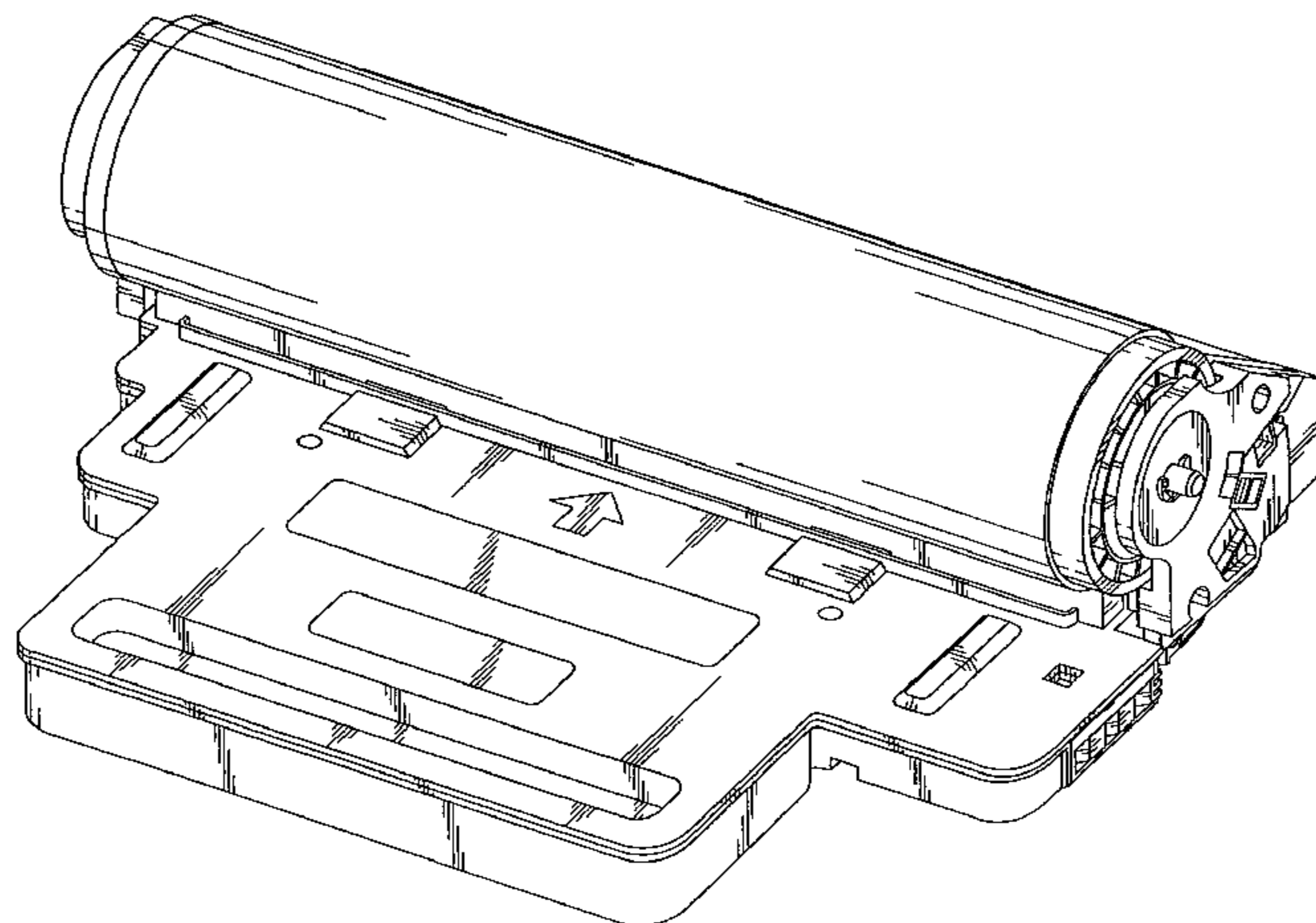
FIG. 5 is a right side elevational view thereof;

FIG. 6 is a top plan view thereof; and,

FIG. 7 is a bottom plan view thereof.

The broken lines depict environmental subject matter only and form no part of the claimed design.

**1 Claim, 5 Drawing Sheets**



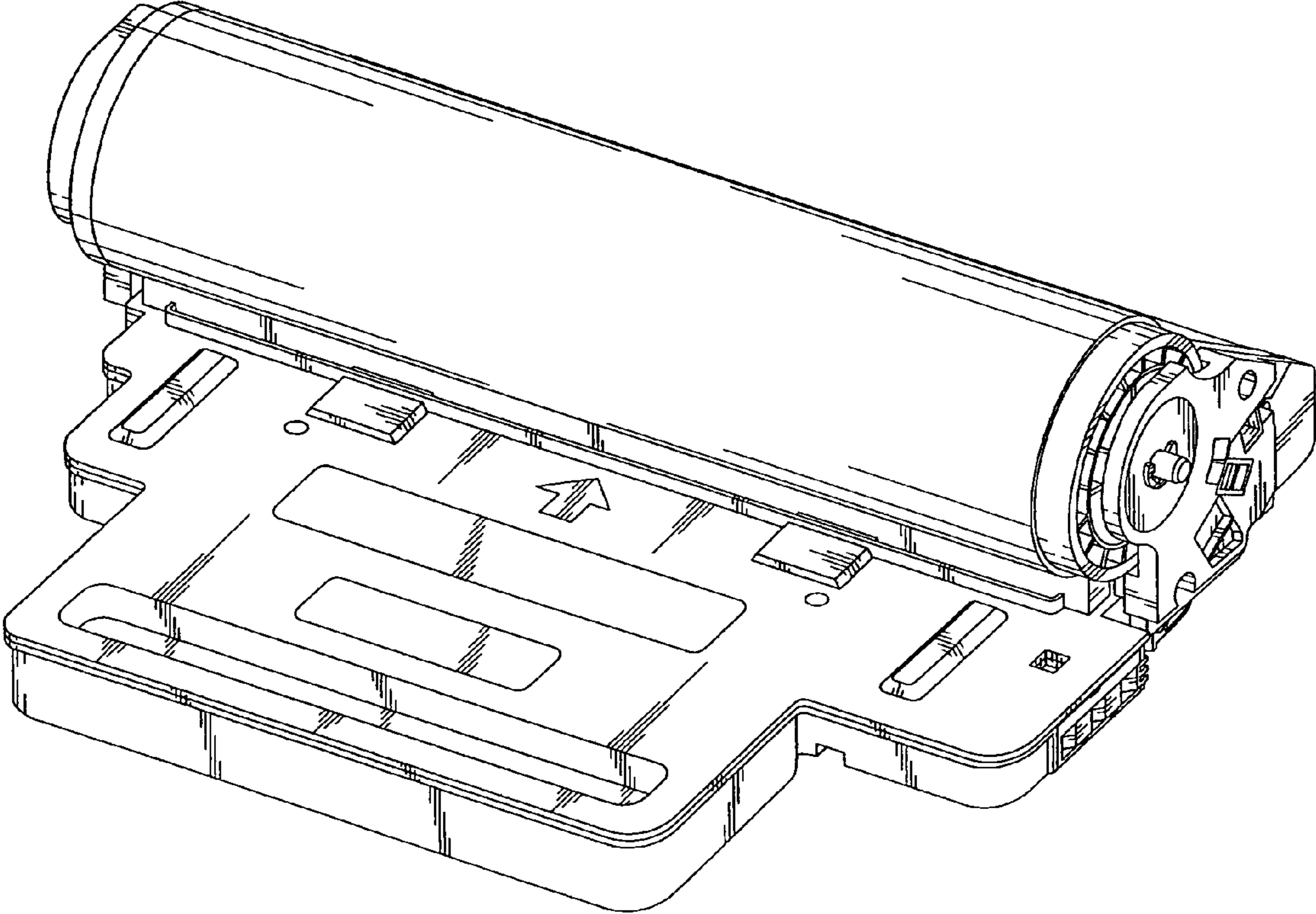


FIG. 1

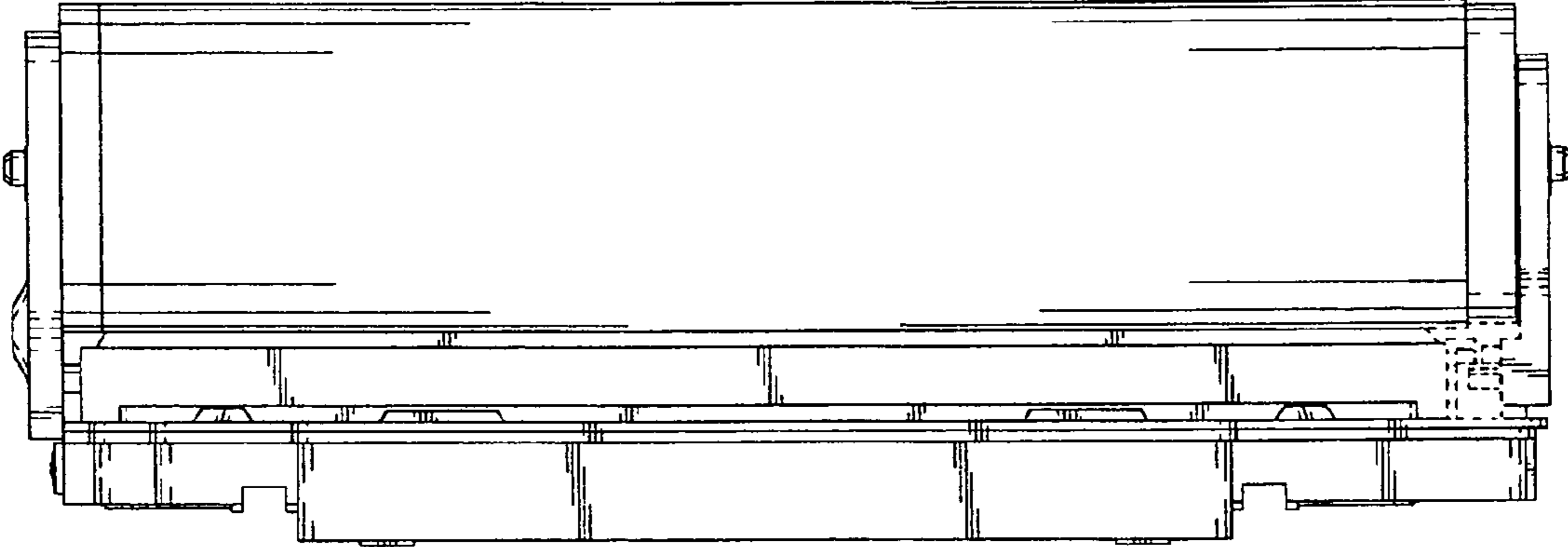


FIG. 2

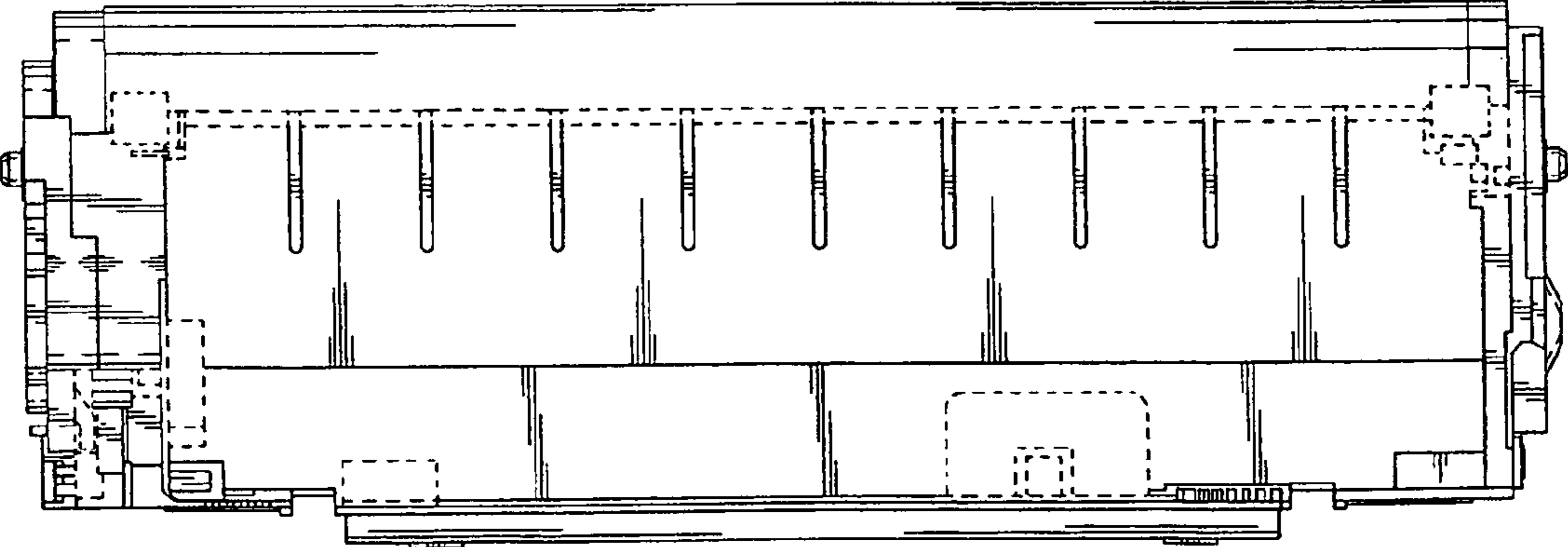


FIG. 3

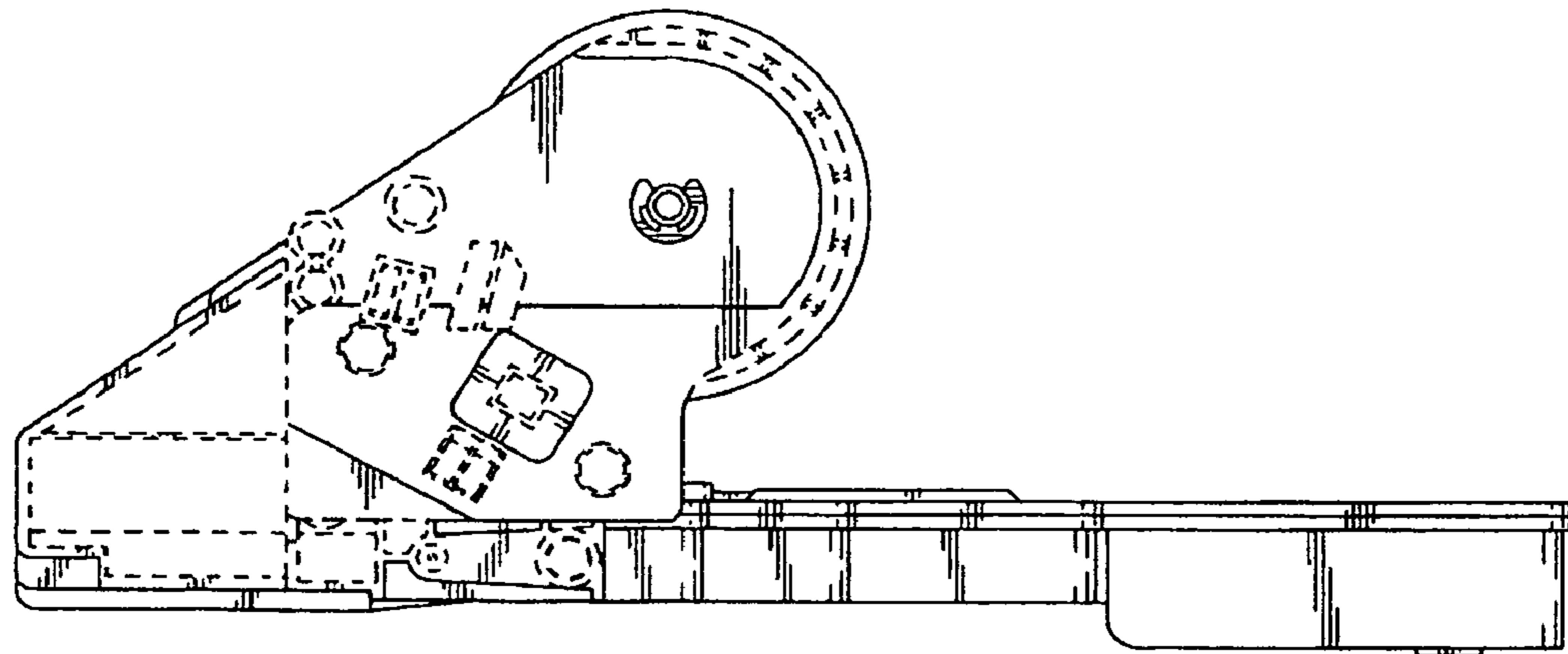


FIG. 4

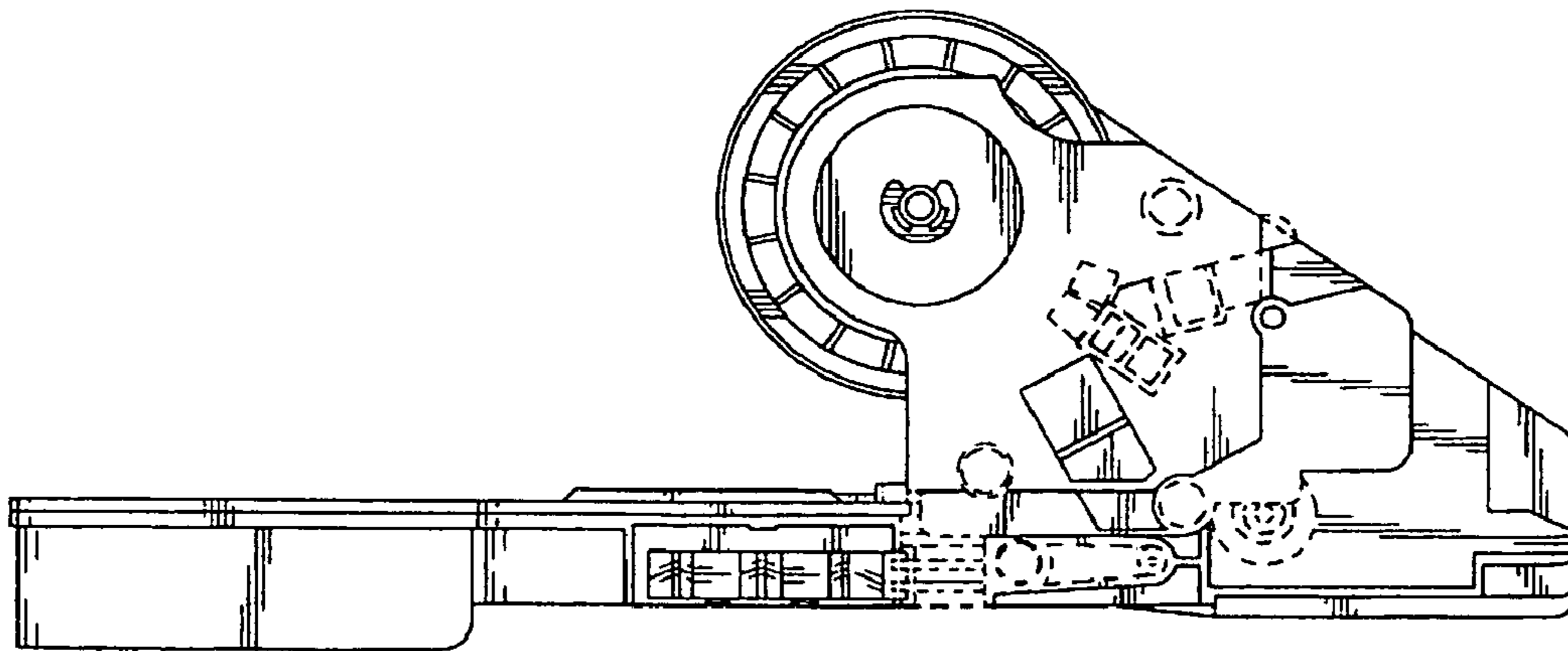


FIG. 5

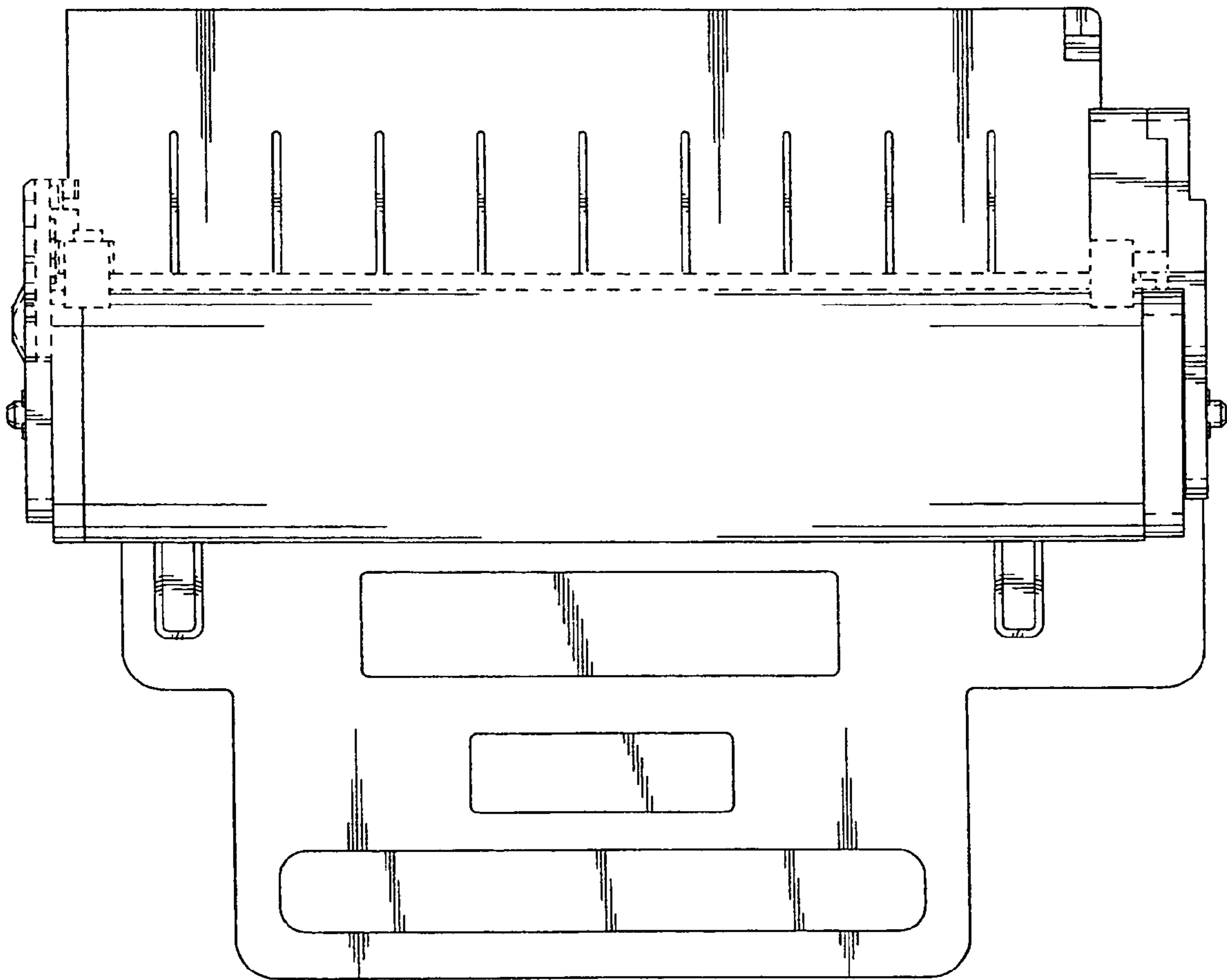


FIG. 6

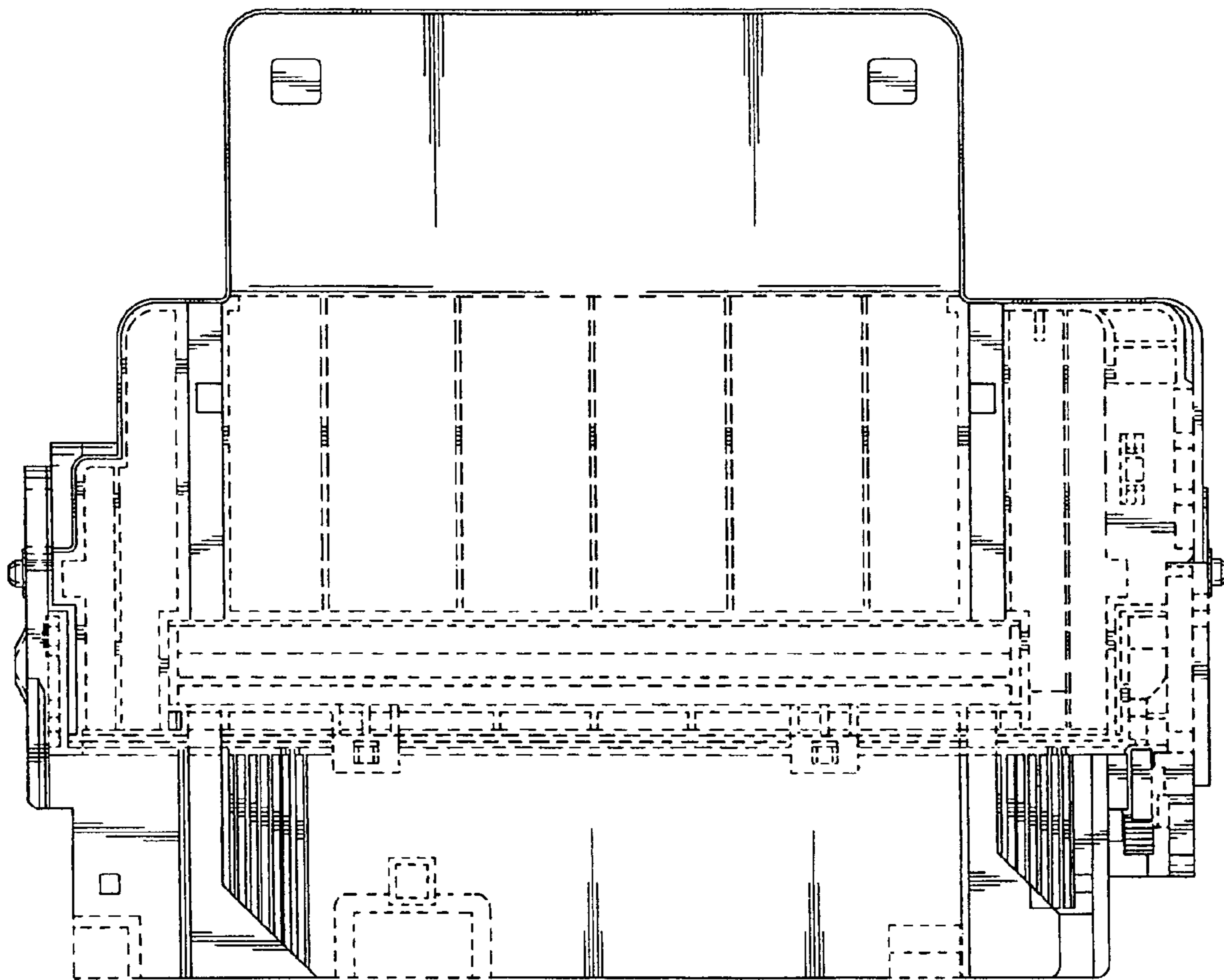


FIG.7