

US00D597592S

(12) **United States Design Patent**
Kim

(10) **Patent No.:** **US D597,592 S**
(45) **Date of Patent:** **** Aug. 4, 2009**

(54) **DEVELOPING DEVICE FOR COLOR LASER PRINTER**

(75) Inventor: **Dae-Ho Kim**, Kyunggi-do (KR)

(73) Assignee: **Samsung Electronics Co., Ltd.**,
Kyunggi-do (KR)

(**) Term: **14 Years**

(21) Appl. No.: **29/308,014**

(22) Filed: **May 22, 2008**

(51) **LOC (9) Cl.** **16-03**

(52) **U.S. Cl.** **D18/43**

(58) **Field of Classification Search** D14/471;
D18/12, 36, 40, 43, 44, 56; 222/DIG. 1;
347/197, 222; 399/24-28, 107-112, 119,
399/121, 122, 222-224

See application file for complete search history.

(56) **References Cited**

U.S. PATENT DOCUMENTS

D368,112 S *	3/1996	Komaki	D18/43
D378,830 S	4/1997	Kim		
D398,633 S *	9/1998	Hashizume et al.	D18/40
D400,570 S *	11/1998	Konuma et al.	D18/40
D451,125 S *	11/2001	Sugiyama et al.	D18/40
D462,713 S *	9/2002	Funayama et al.	D18/43
D463,817 S *	10/2002	Kunihiro et al.	D18/40
D464,079 S *	10/2002	Funayama et al.	D18/43
D464,369 S *	10/2002	Kunihiro et al.	D18/43
D468,763 S *	1/2003	Kunihiro et al.	D18/40
D538,850 S	3/2007	Choi et al.		
D539,335 S	3/2007	Jeon et al.		
D544,528 S	6/2007	Kim		
D546,382 S	7/2007	Noh et al.		
D547,368 S	7/2007	Han		
D551,286 S	9/2007	Han		
D555,193 S	11/2007	Choi		
D570,403 S	6/2008	Park et al.		

OTHER PUBLICATIONS

U.S. Appl. No. 29/270,054, Applicant: Se-Il Kwon, filed Dec. 13, 2006 entitled Cartridge for Laser Compound Device.

U.S. Appl. No. 29/270,051, Applicant: Jong-Hyun Park, filed Dec. 13, 2006 entitled Toner Cartridge.

U.S. Appl. No. 29/291,994, Applicant: Min-Su Han, filed Sep. 25, 2007 entitled Development Device for Laser Printer.

U.S. Appl. No. 29/292,077, Applicant: Gyeong-Sun Park, et al., filed Sep. 27, 2007 entitled Development Device for Laser Printer.

U.S. Appl. No. 29/292,095, Applicant: Gyeong-Sun Park, et al., filed Sep. 27, 2007 entitled Toner Cartridge.

U.S. Appl. No. 29/292,075, Applicant: Gyeong-Sun Park, et al., filed Sep. 27, 2007 entitled Toner Cartridge.

U.S. Appl. No. 29/294,095, Applicant: Jai-Il Choi, et al., filed Dec. 21, 2007 entitled Developing Device for Laser Printer.

U.S. Appl. No. 29/292,083, Applicant: Gyeong-Sun Park, filed Sep. 27, 2007 entitled Toner for Printer.

(Continued)

Primary Examiner—Caron Veynar
Assistant Examiner—Garth Rademaker
(74) *Attorney, Agent, or Firm*—Flynn, Thiel, Boutell & Tanis, P.C.

(57) **CLAIM**

The ornamental design for a developing device for color laser printer, as shown and described.

DESCRIPTION

FIG. 1 is a top front perspective view of a developing device for color laser printer showing my new design;

FIG. 2 is a front elevational view thereof;

FIG. 3 is a rear elevational view thereof;

FIG. 4 is a left side elevational view thereof;

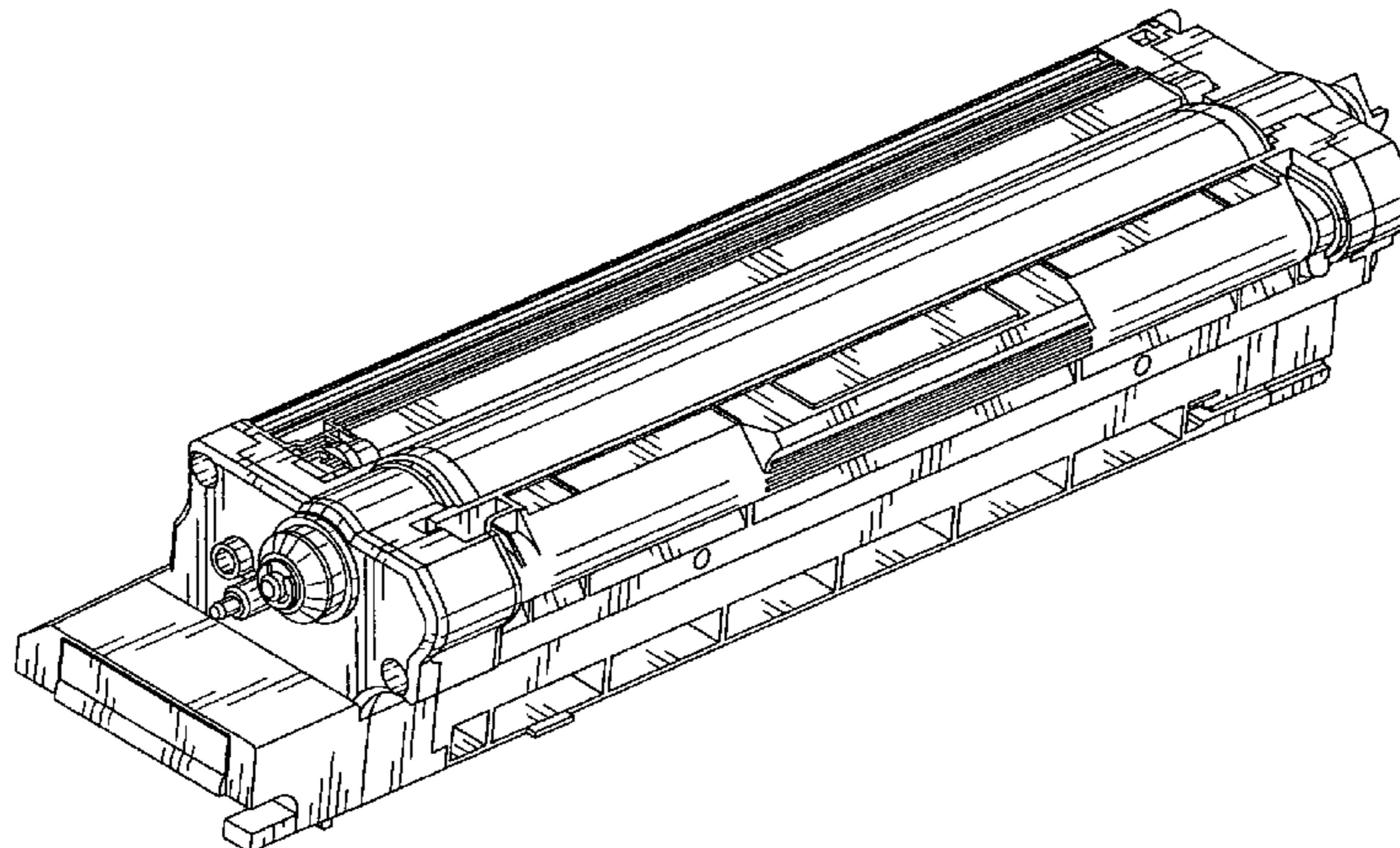
FIG. 5 is a right side elevational view thereof;

FIG. 6 is a top plan view thereof; and,

FIG. 7 is a bottom plan view thereof.

The broken lines depict environmental subject matter only and form no part of the claimed design.

1 Claim, 4 Drawing Sheets



OTHER PUBLICATIONS

U.S. Appl. No. 29/294,096, Applicant: Myoung-Su Baek, et al., filed Dec. 21, 2007 entitled Cartridge for Image Developing Device.

U.S. Appl. No. 29/292,076, Applicant: Gyeong-Sun Park, et al., filed Sep. 27, 2007 entitled Toner for Printer.

U.S. Appl. No. 29/308,015, Applicant: Joo-Hwan Noh, et al., filed May 22, 2008 entitled Developing Device for Printer.

U.S. Appl. No. 29/308,009, Applicant: Sung-Joo Kim, filed May 22, 2008 entitled Toner Cartridge.

U.S. Appl. No. 29/308,008, Applicant: Jong-Hwa Park, filed May 22, 2008 entitled Toner Cartridge.

U.S. Appl. No. 29/308,024, Applicant: In-Cheol Jeon, et al., filed May 22, 2008 entitled Developing Device for Color Laser Printer.

* cited by examiner

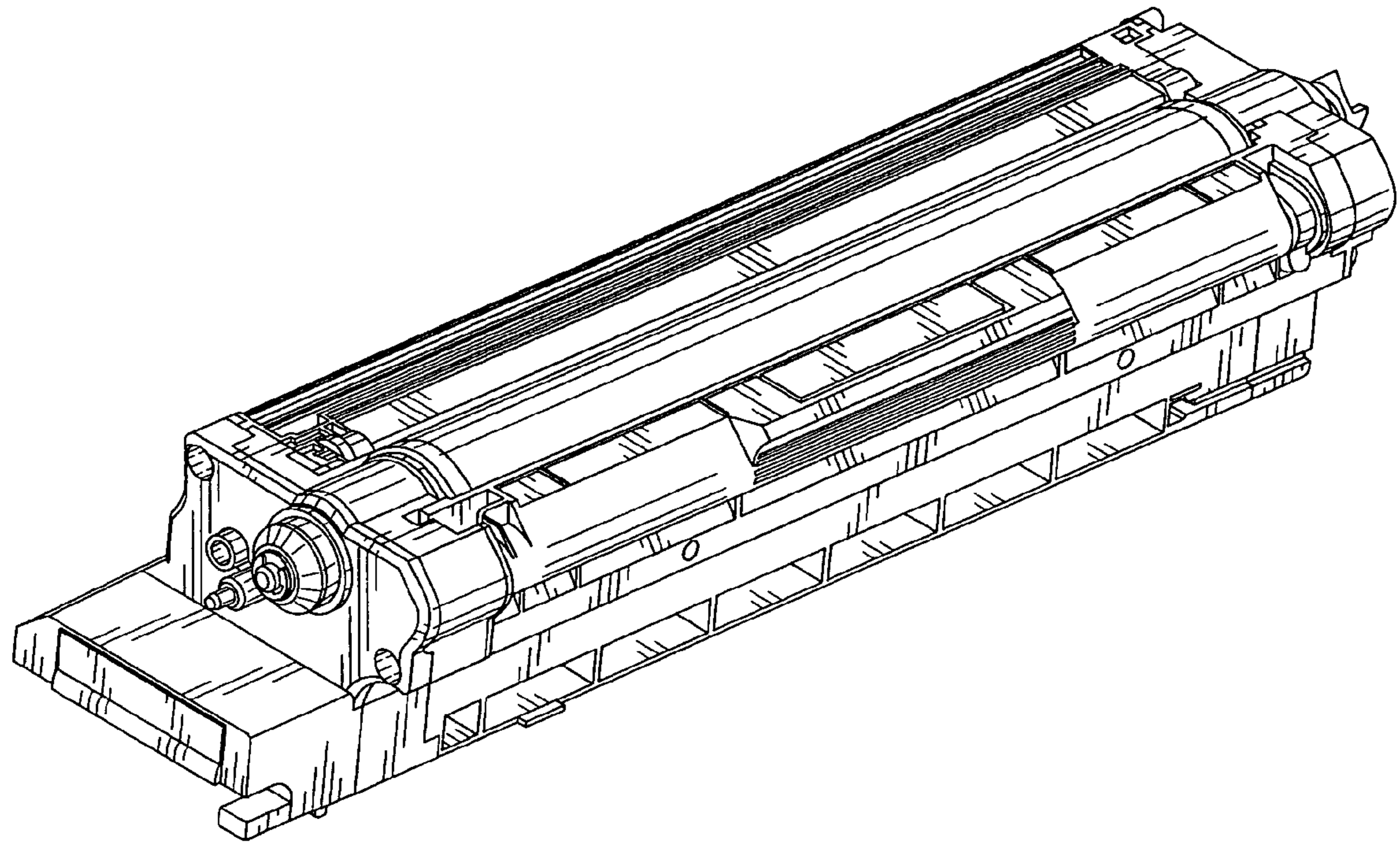


FIG. 1

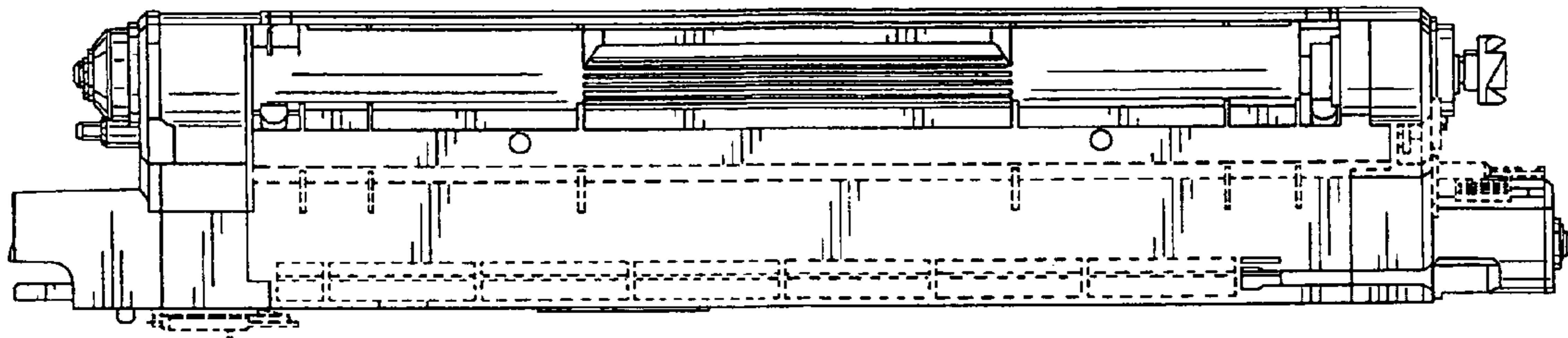


FIG. 2

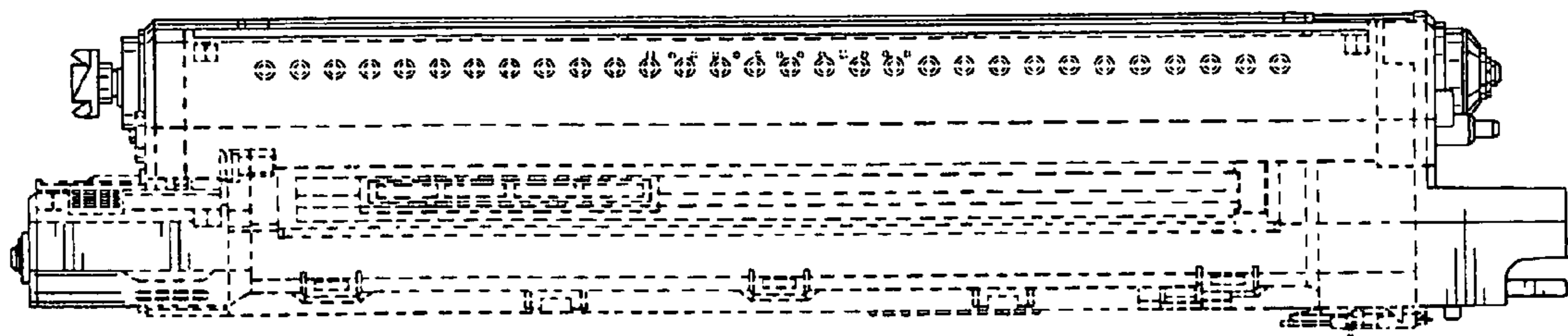


FIG. 3

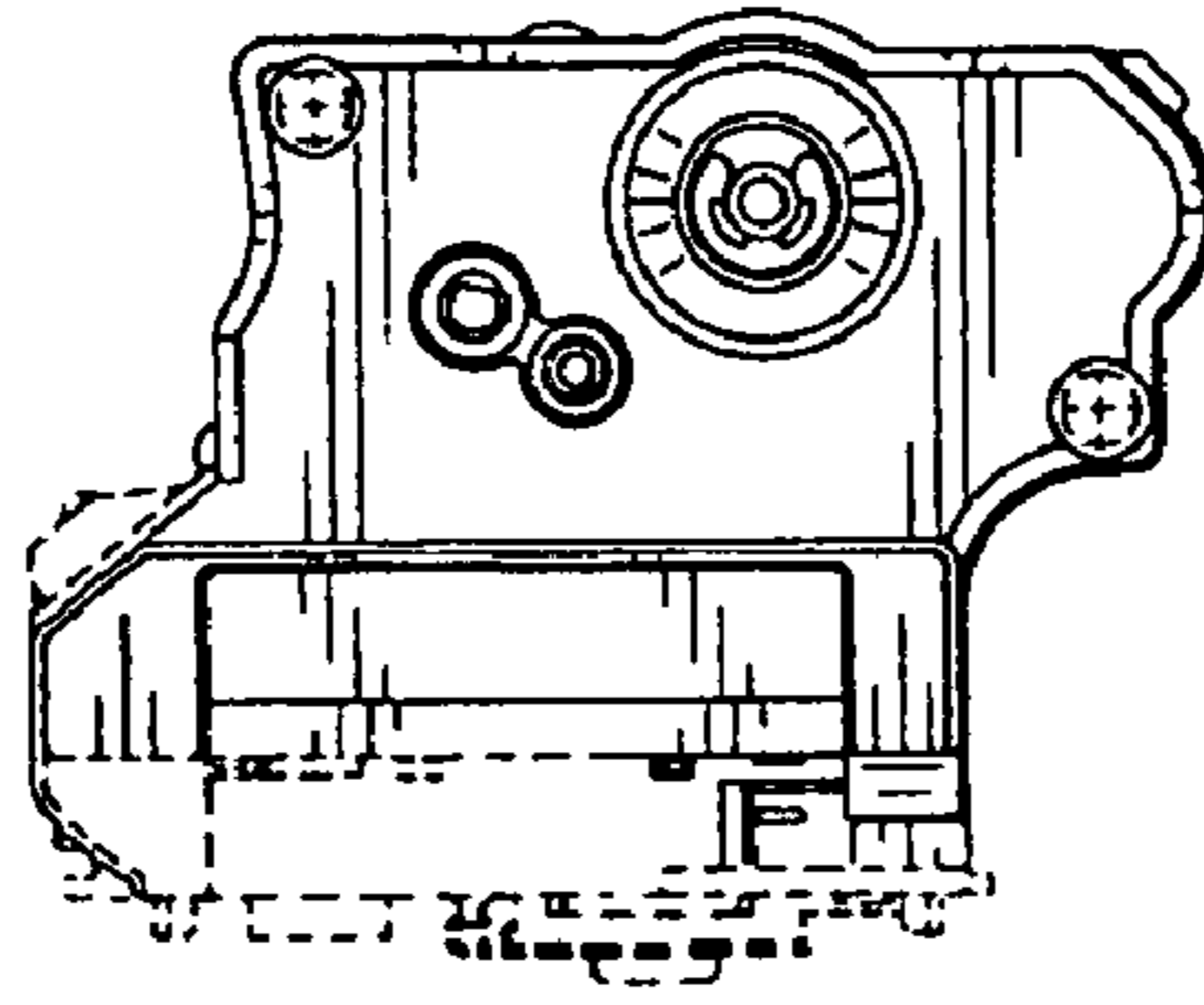


FIG. 4

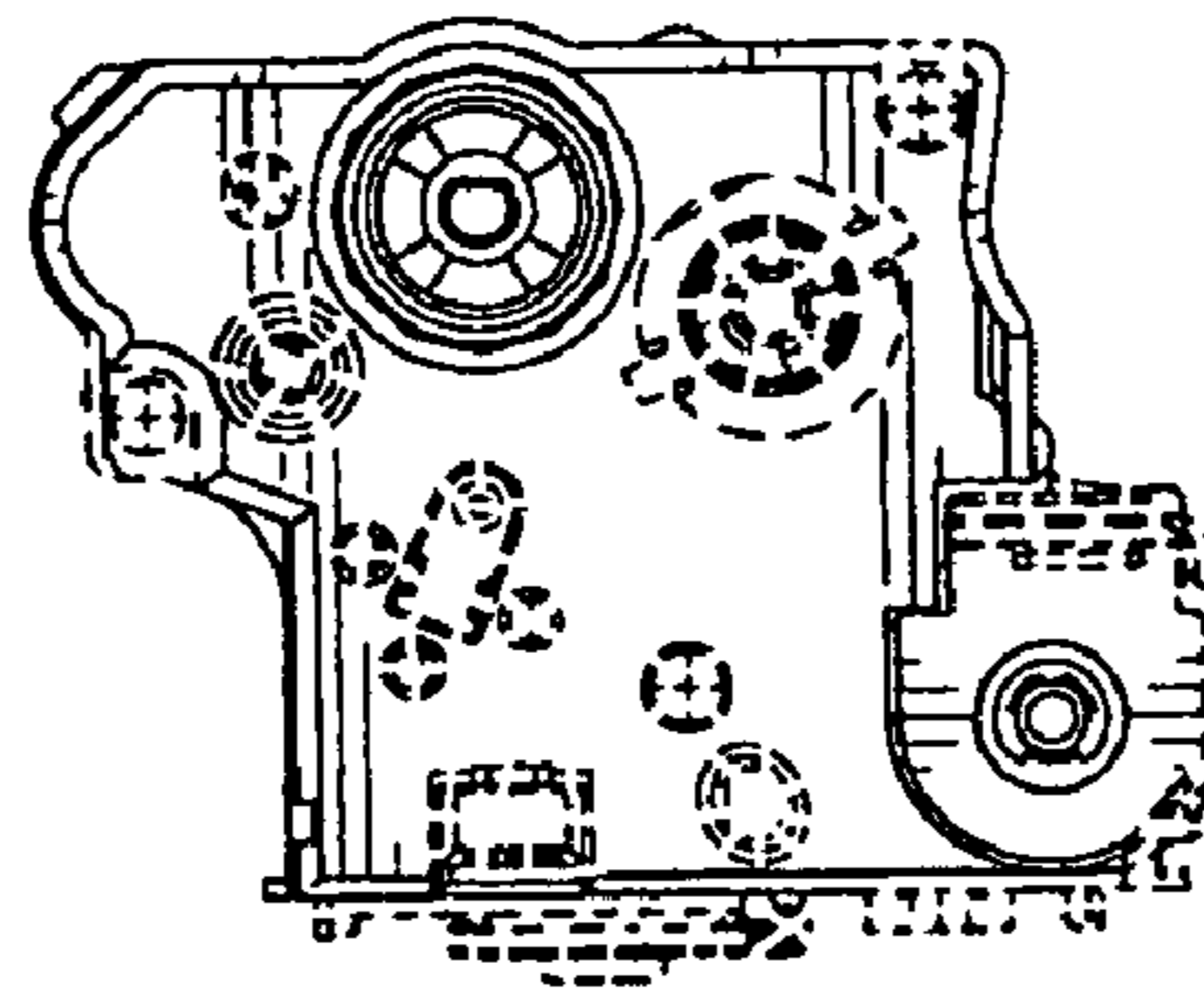


FIG. 5

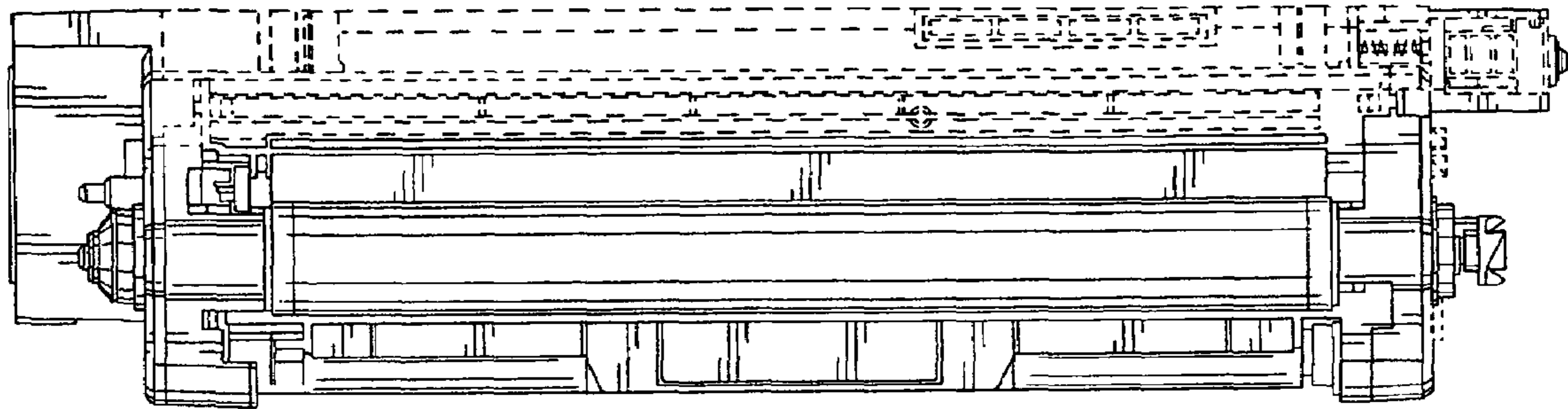


FIG. 6

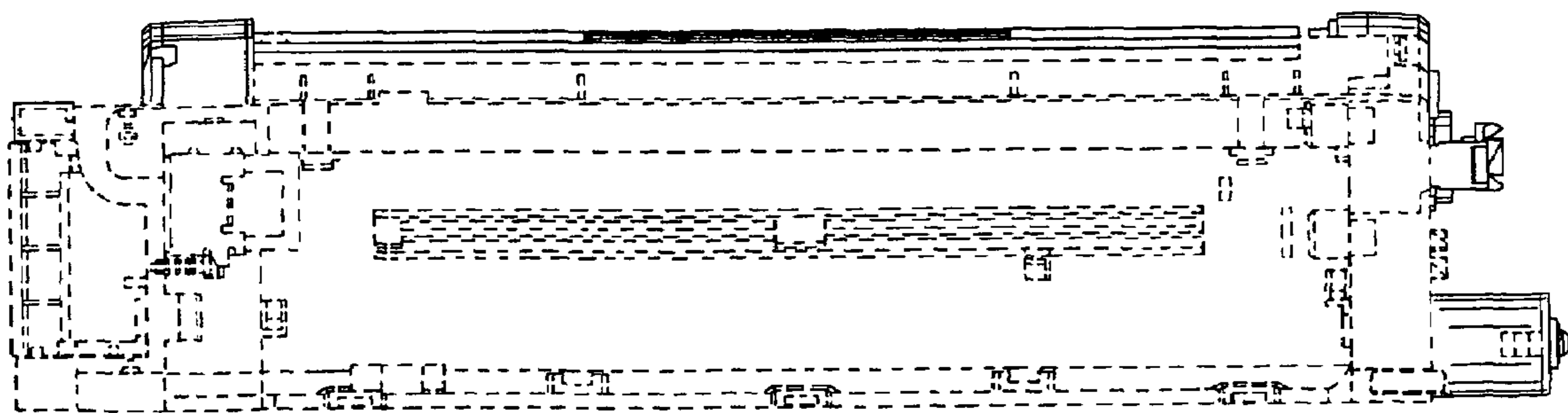


FIG. 7