



US00D597590S

(12) **United States Design Patent**
Stone

(10) **Patent No.:** **US D597,590 S**

(45) **Date of Patent:** **** Aug. 4, 2009**

(54) **SELF-CORRECTING ABACUS**

(75) Inventor: **Celia Anne Stone**, Leeds (GB)

(73) Assignee: **Addacus Limited**, Leeds (GB)

(**) Term: **14 Years**

(21) Appl. No.: **29/247,261**

(22) Filed: **Jun. 8, 2006**

(30) **Foreign Application Priority Data**

Mar. 9, 2006 (EM) 000492681

(51) **LOC (9) Cl.** **18-01**

(52) **U.S. Cl.** **D18/6**

(58) **Field of Classification Search** D10/2,
D10/31, 104; D14/138, 191, 193, 197, 198,
D14/218, 341–347, 383–388, 391–396, 399;
D18/1, 2, 6, 7, 11, 12; D21/468, 471, 482,
D21/512; 235/58 R, 59 A, 59 BC–59 BG,
235/59 CP, 59 R, 59 TP, 60.22, 61 R; 434/202,
434/203; 708/100, 105, 130

See application file for complete search history.

(56) **References Cited**

U.S. PATENT DOCUMENTS

2,252,678 A * 8/1941 McC. Beary D21/471
2,494,497 A * 1/1950 Trapnell 434/204
D165,550 S * 12/1951 Prouty D18/1
3,321,133 A * 5/1967 Okuda D18/6
D249,090 S * 8/1978 LaCelle D8/6
4,629,431 A * 12/1986 Sanders 434/304
D309,165 S * 7/1990 Kaplan et al. D21/468
5,134,692 A * 7/1992 Hiromori 708/141
5,205,747 A * 4/1993 Tan 434/203
6,712,614 B1 * 3/2004 Henderson 434/203
D513,762 S * 1/2006 Young D18/6

2003/0148250 A1* 8/2003 Walker et al. 434/203

* cited by examiner

Primary Examiner—Caron Veynar

Assistant Examiner—Garth Rademaker

(74) *Attorney, Agent, or Firm*—Austin Rapp & Hardman

(57) **CLAIM**

The ornamental design for a self-correcting abacus, as shown and described.

DESCRIPTION

FIG. 1 is a top plan view of a self-correcting abacus, showing my new design, with the vertical rods removed for ease of disclosure;

FIG. 2 is a front elevation view thereof;

FIG. 3 is a back elevation view thereof;

FIG. 4 is a right side elevation view thereof, the left side being a mirror image thereof;

FIG. 5 is a top plan view thereof, shown with the vertical rods attached and with the drawer in an open position and the drawer compartment lids fully retracted;

FIG. 6 is a front elevation view thereof;

FIG. 7 is a rear elevation view thereof;

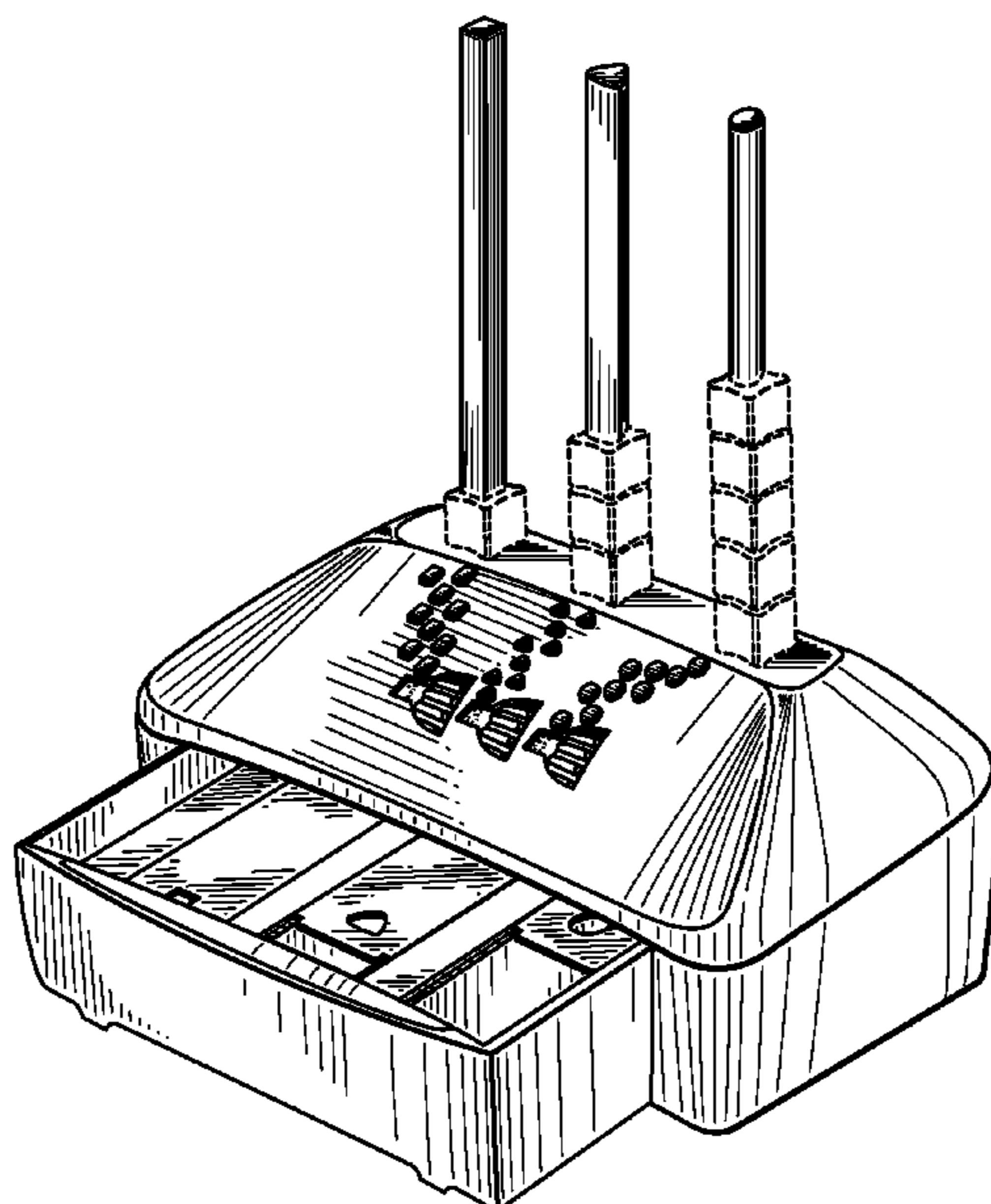
FIG. 8 is a right side elevation view thereof with the drawer shown extended;

FIG. 9 is a perspective view thereof, with the drawer compartment lids partially retracted; and,

FIG. 10 is a cross-section view thereof, taken along line 10—10 of FIG. 5, showing the slots which the compartment lids fit into when fully closed.

The broken lines depict environmental subject matter only and form no part of the claimed design.

1 Claim, 8 Drawing Sheets



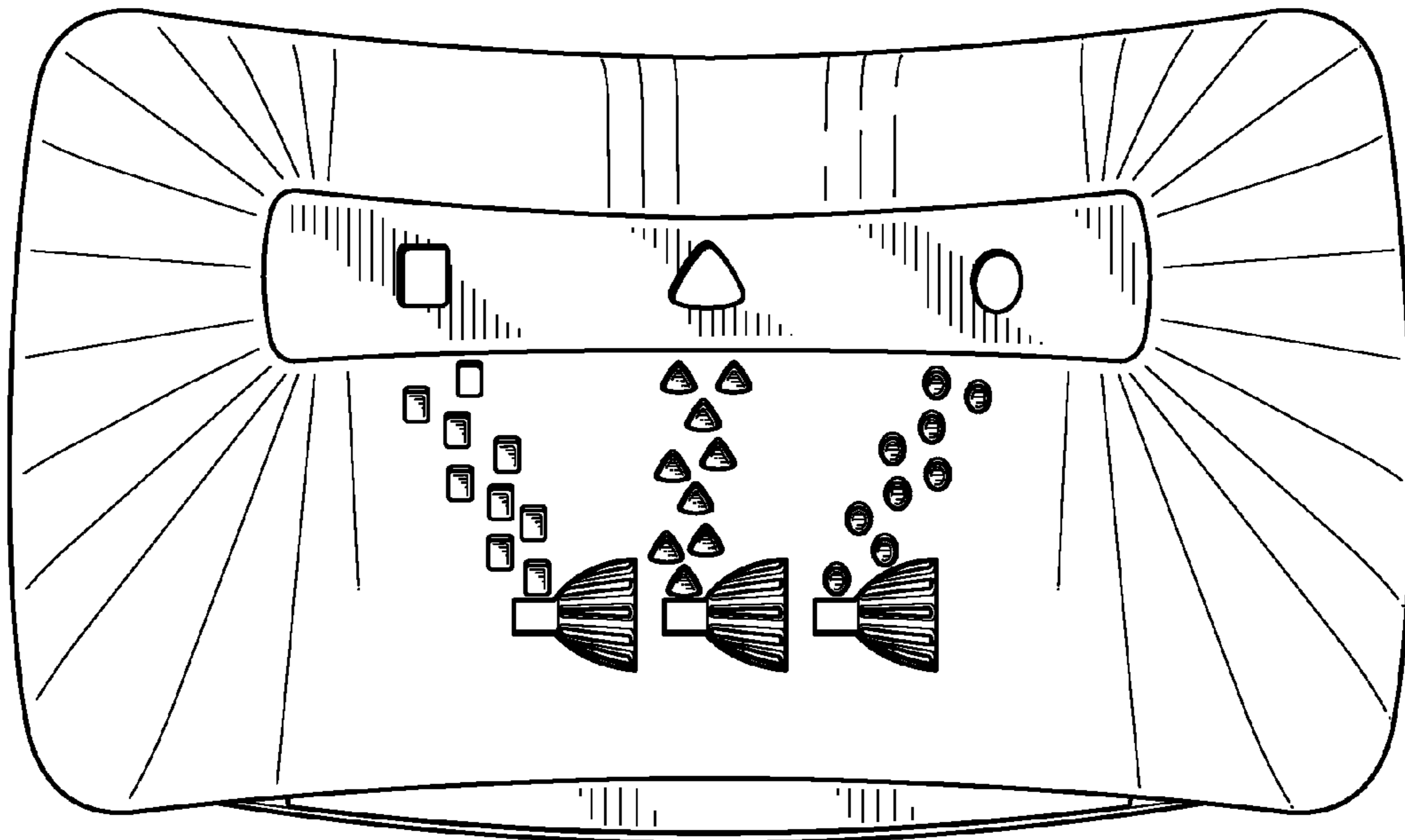


FIG. 1

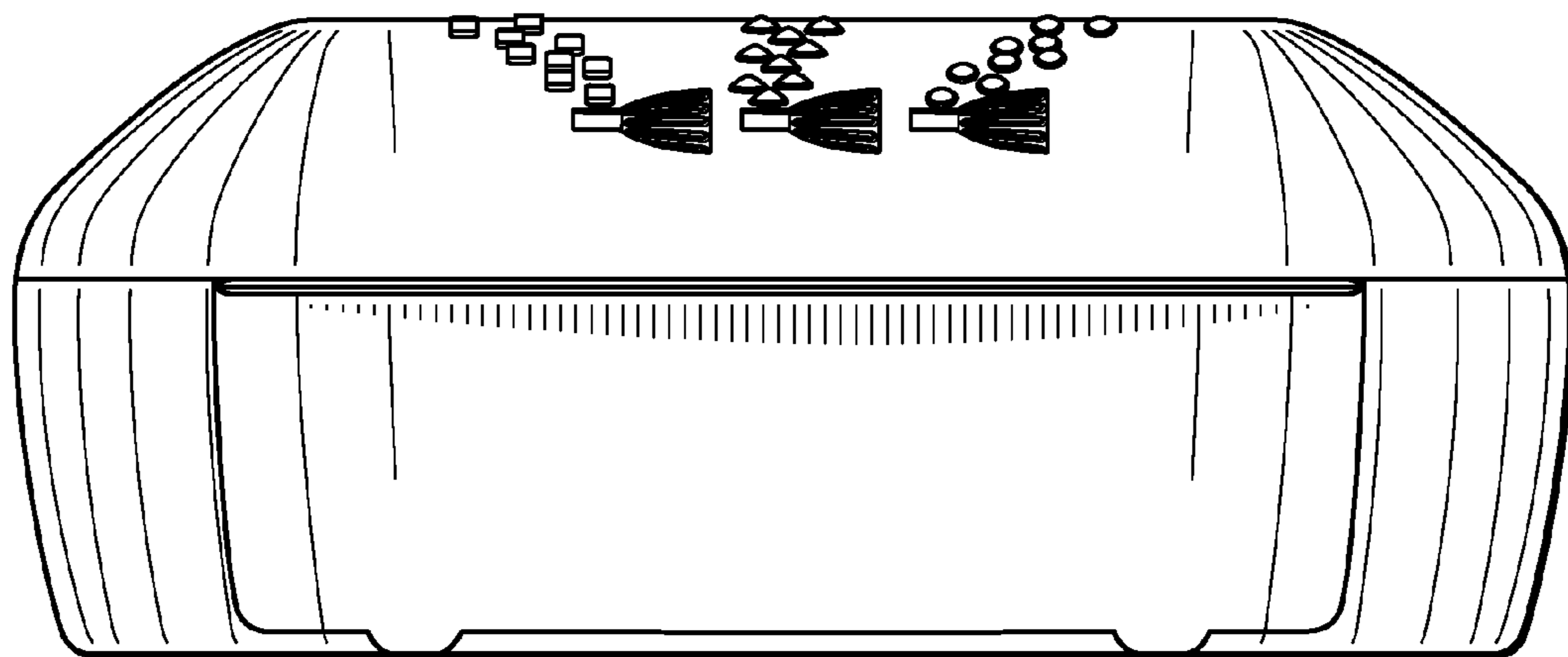


FIG. 2

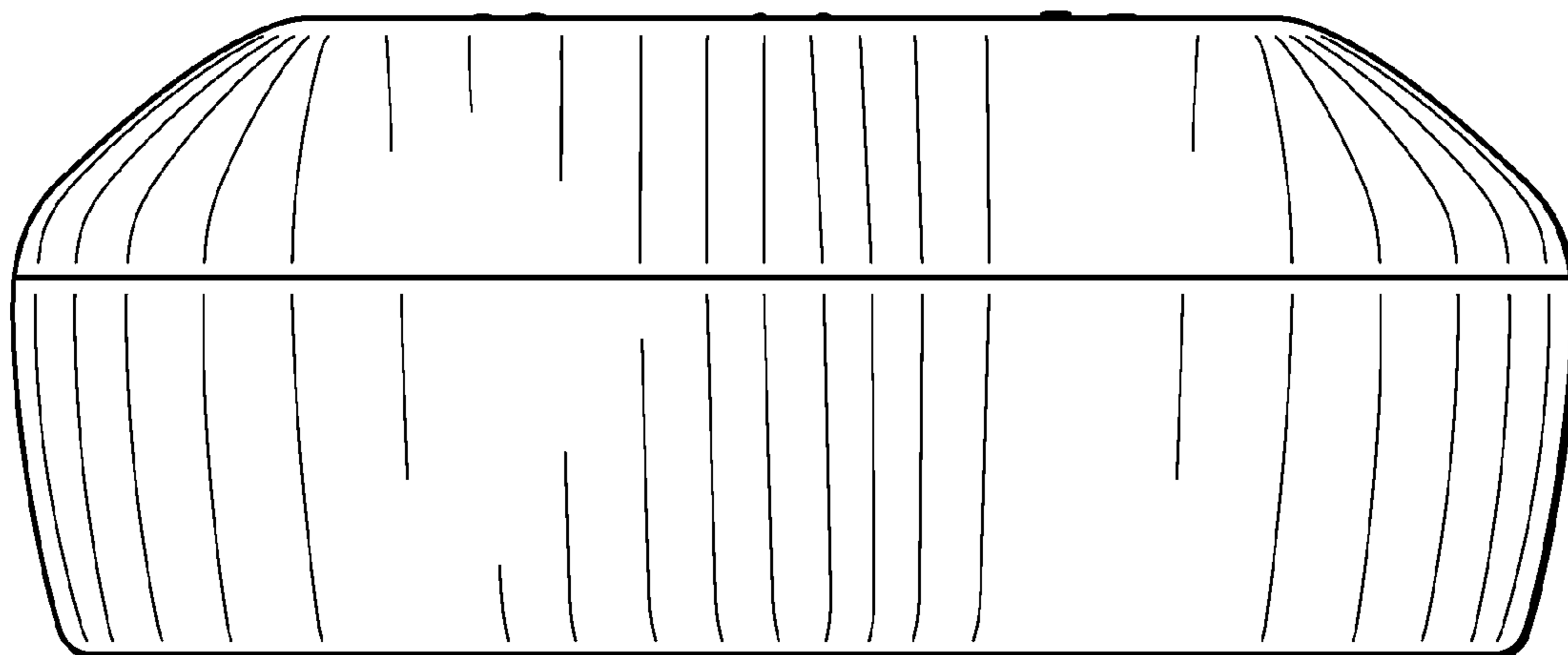


FIG. 3

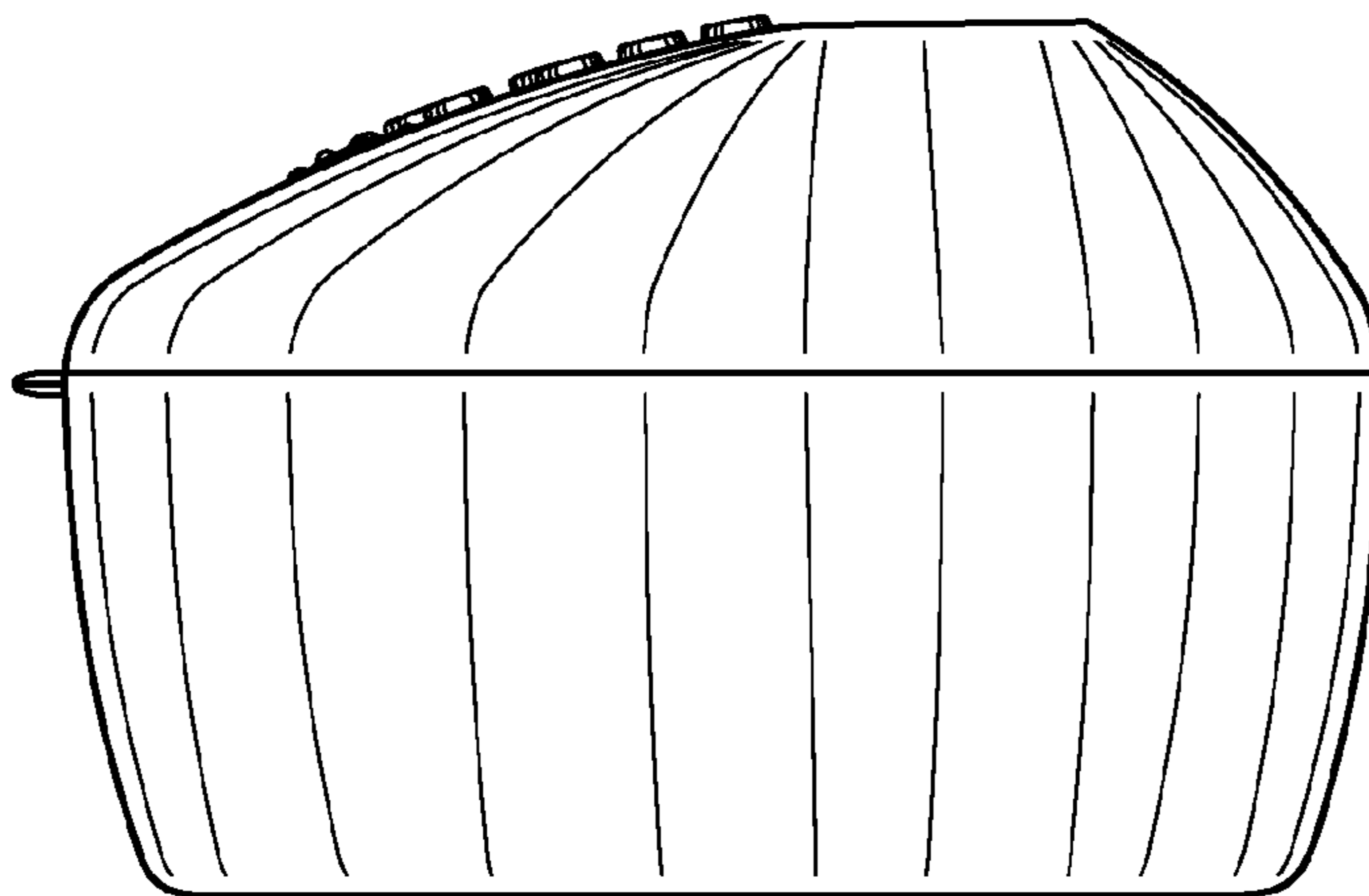


FIG. 4

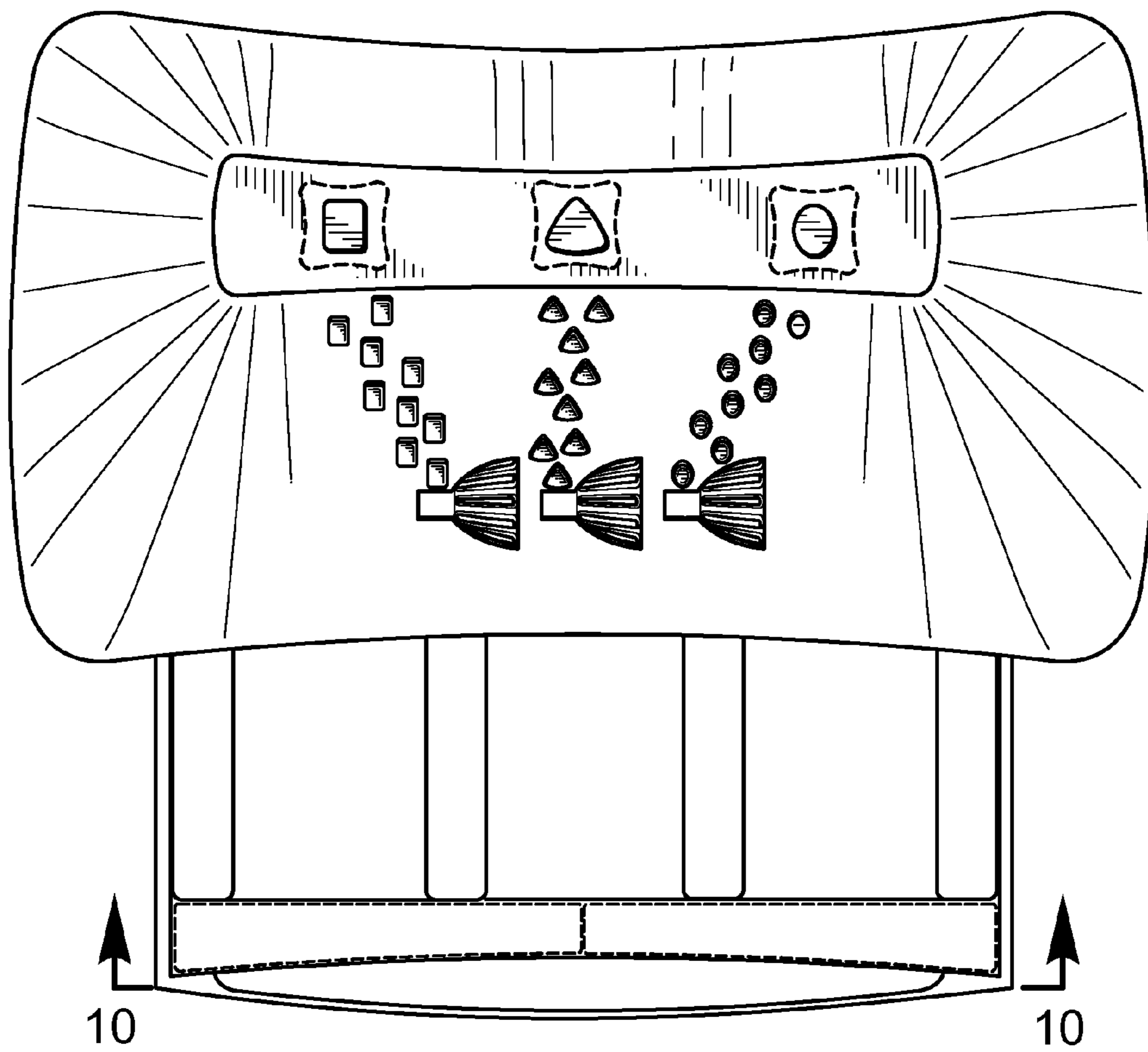


FIG. 5

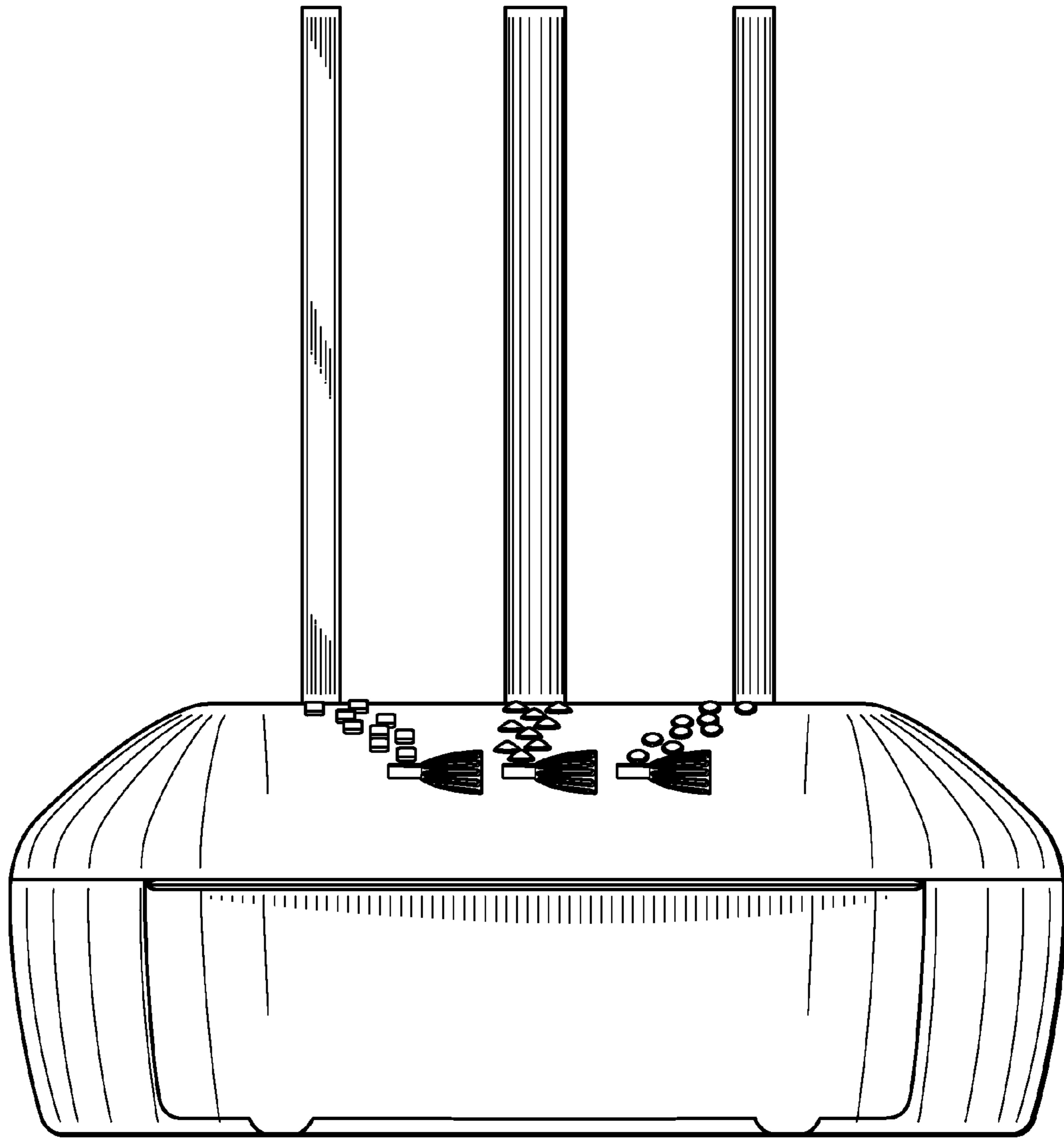


FIG. 6

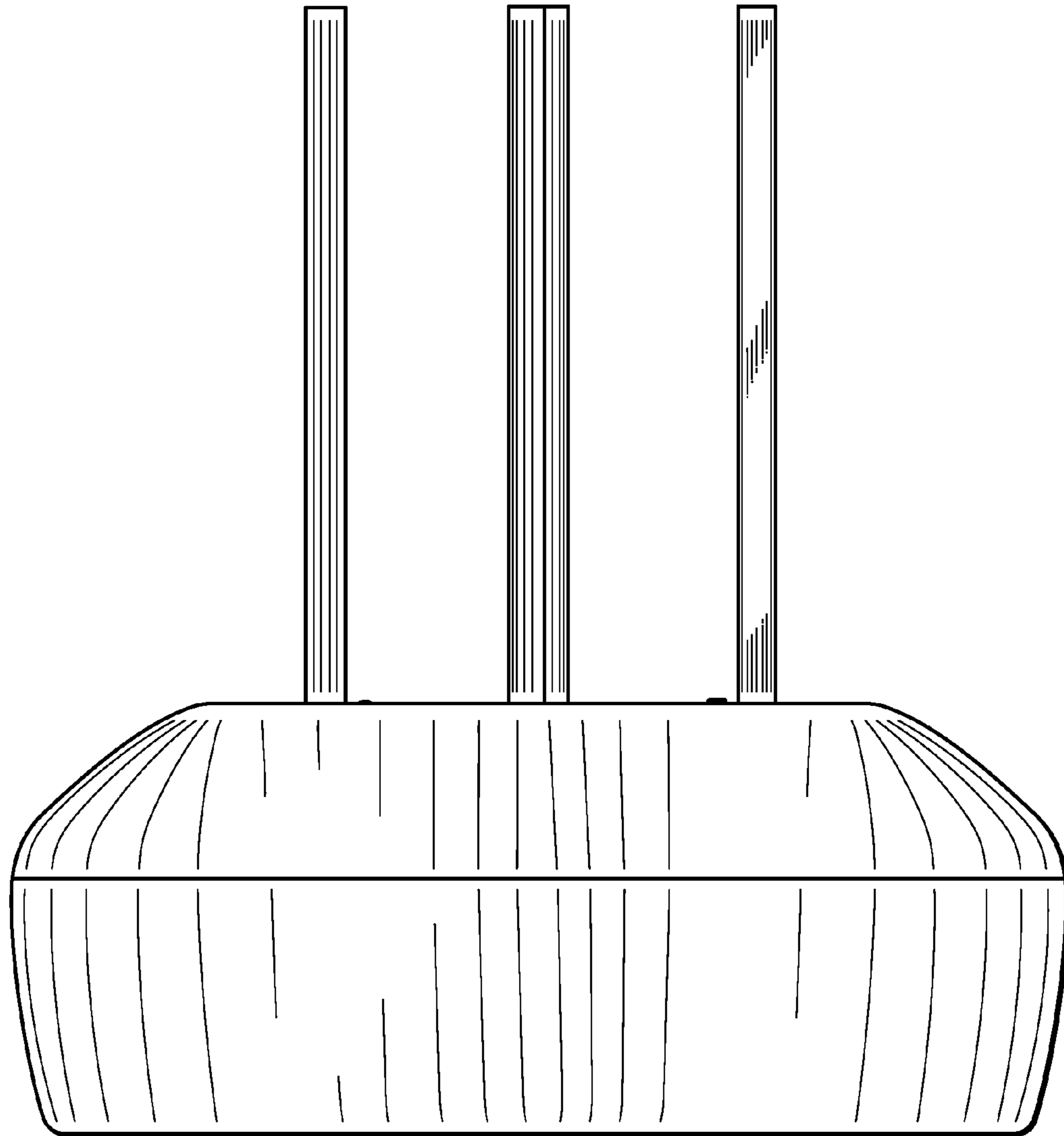


FIG. 7

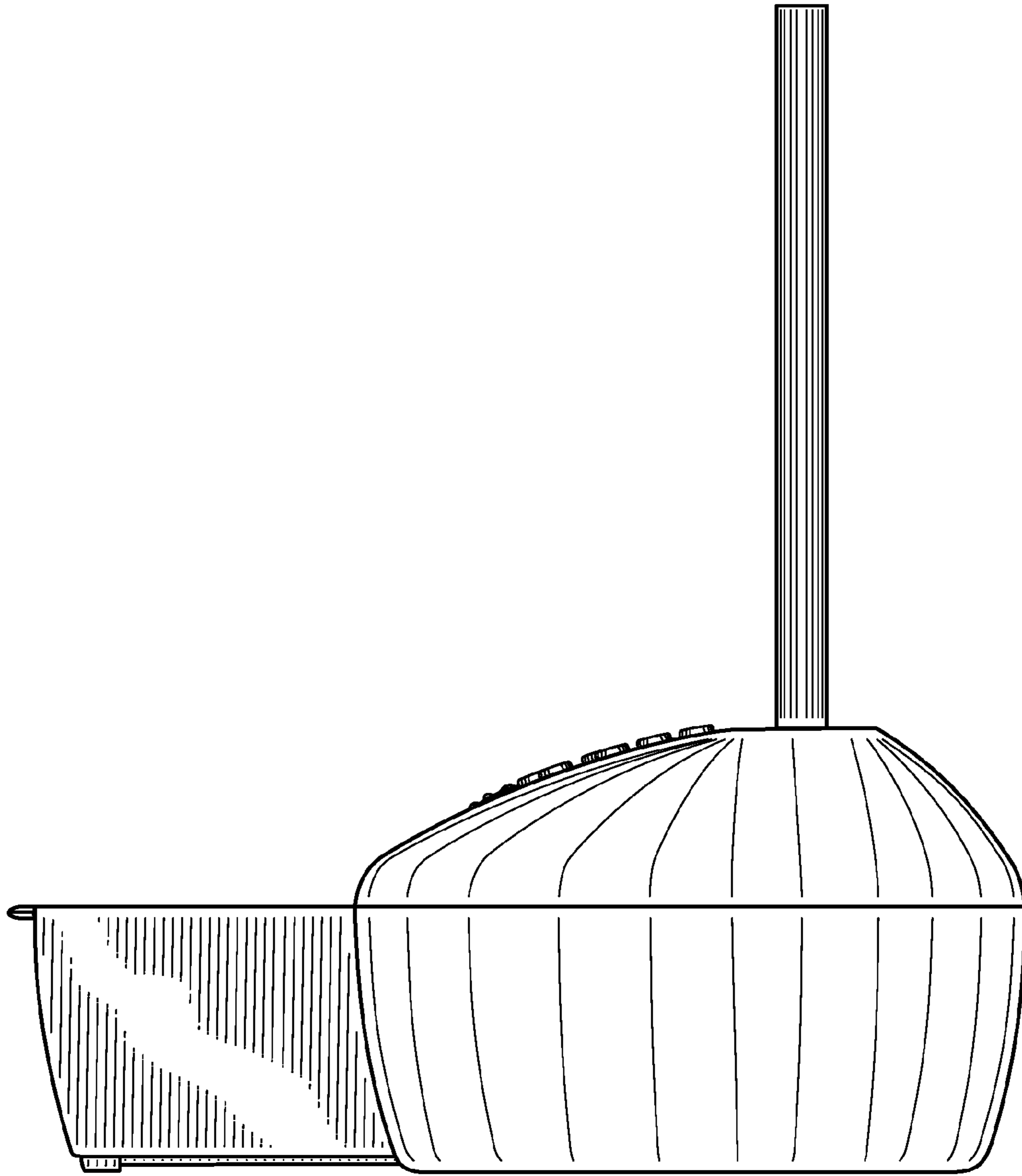


FIG. 8

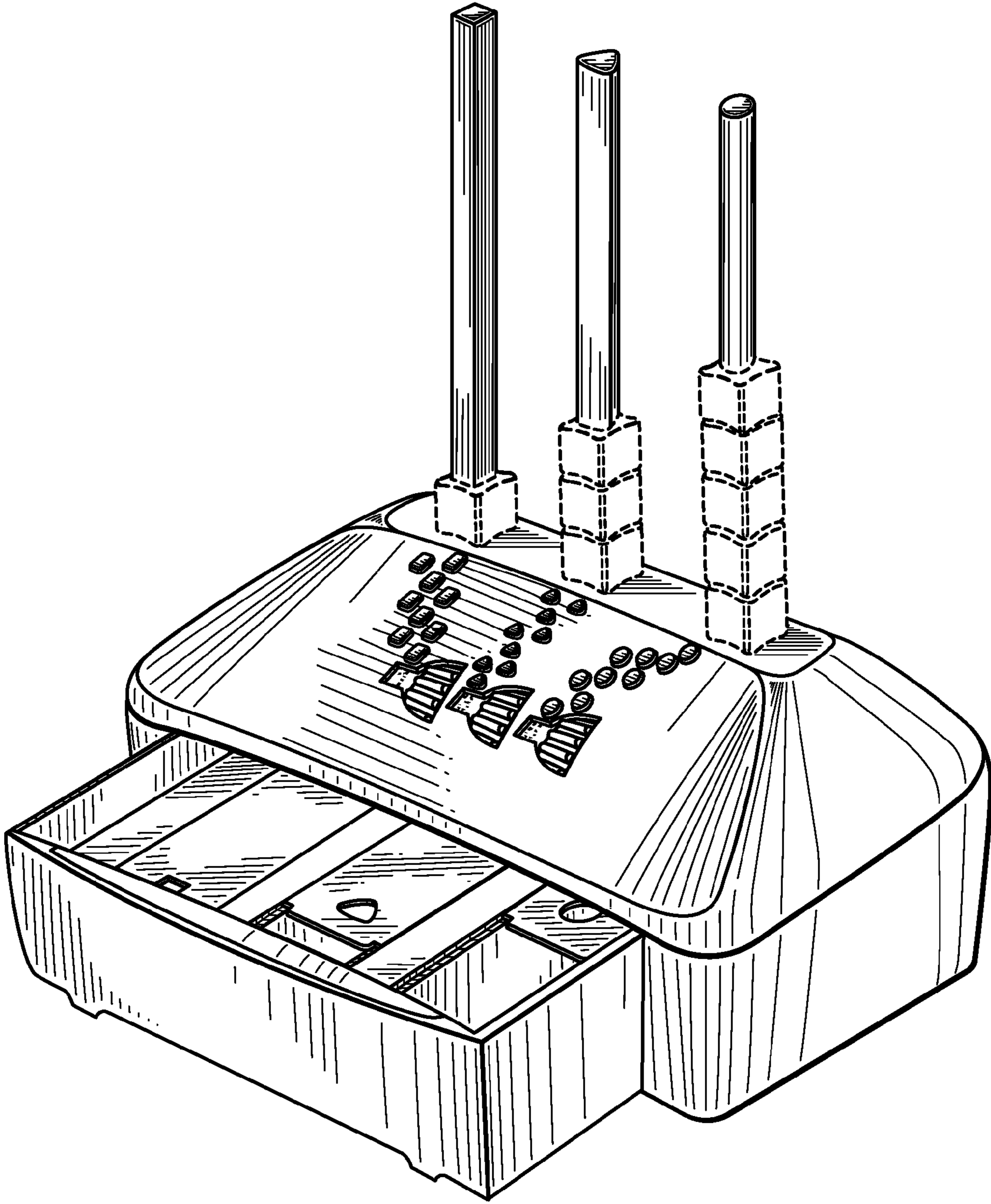


FIG. 9

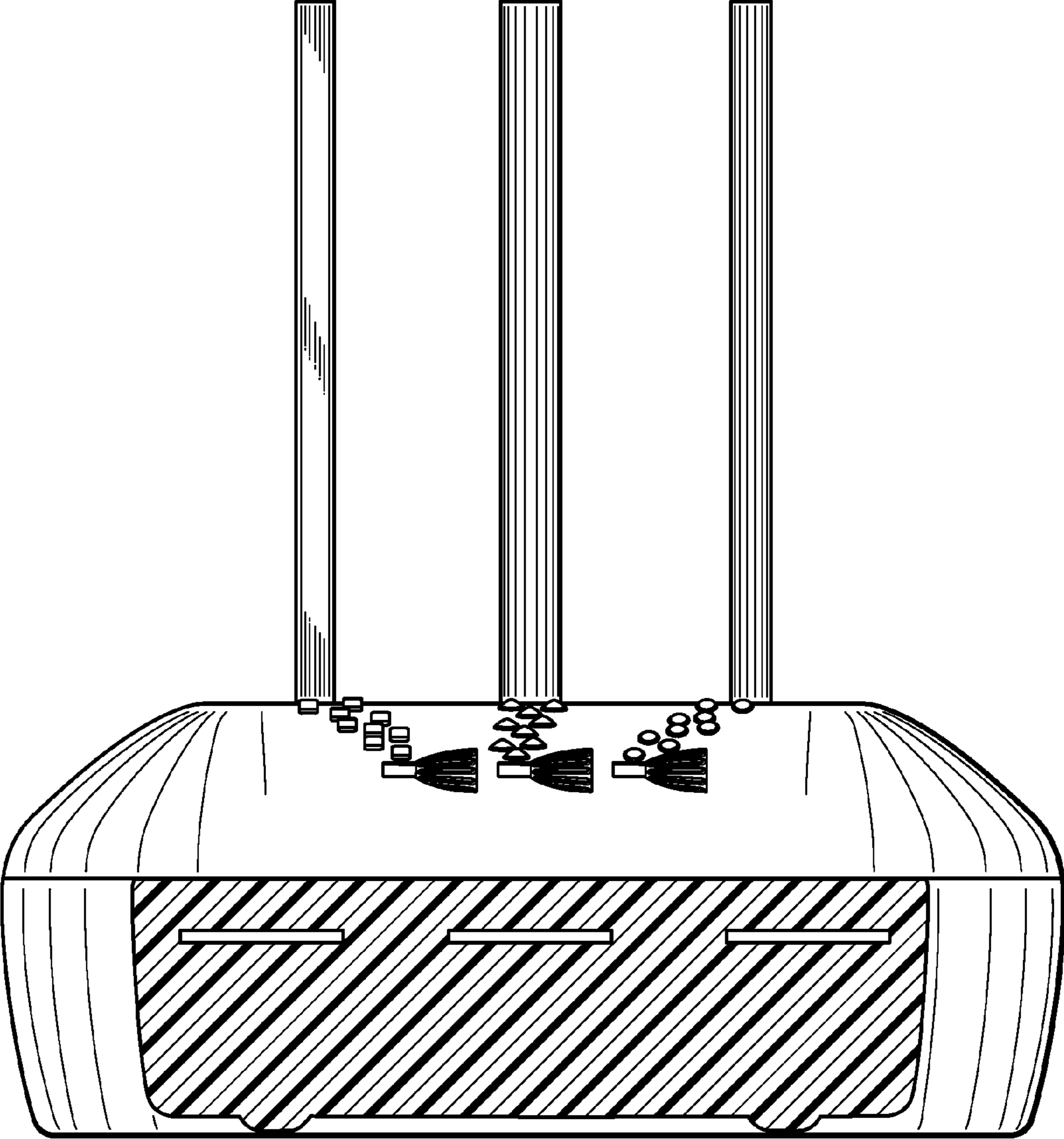


FIG. 10