



US00D597585S

(12) **United States Design Patent**
Janik

(10) **Patent No.:** **US D597,585 S**

(45) **Date of Patent:** **** Aug. 4, 2009**

(54) **MAGNIFYING GLASSES**

(76) **Inventor:** **Steffen Janik**, Fahnernstr. 2, Au (CH)
9434

(**) **Term:** **14 Years**

(21) **Appl. No.:** **29/291,662**

(22) **Filed:** **Sep. 7, 2007**

(30) **Foreign Application Priority Data**

Mar. 7, 2007 (EM) 000684808-0001

(51) **LOC (9) Cl.** **16-06**

(52) **U.S. Cl.** **D16/330; D16/309**

(58) **Field of Classification Search** D16/101,
D16/300-342; D29/109-110; D24/110.2;
351/41, 44, 51-52, 62, 158, 92, 103-123,
351/140, 153; 2/426-432, 447-449, 441,
2/434-437; D21/483, 659-661

See application file for complete search history.

(56) **References Cited**

U.S. PATENT DOCUMENTS

2,389,428 A * 11/1945 Glasser 351/158
D296,337 S * 6/1988 Caplan D16/133
D333,828 S * 3/1993 Baldassarre D16/133
5,541,767 A * 7/1996 Murphy et al. 351/41

5,652,636 A * 7/1997 Feinbloom 351/58
D446,798 S * 8/2001 Feinbloom et al. D16/330
6,799,847 B2 * 10/2004 Caplan 351/128
D564,011 S * 3/2008 Beate et al. D16/309

* cited by examiner

Primary Examiner—Raphael Barkai

(74) *Attorney, Agent, or Firm*—Olson & Cepuritis, Ltd.

(57) **CLAIM**

The ornamental design for magnifying glasses, as shown and described.

DESCRIPTION

FIG. 1 is a front perspective view of magnifying glasses;

FIG. 2 is a rear perspective view of the magnifying glasses of FIG. 1;

FIG. 3 is a side elevational view of the magnifying glasses of FIG. 1;

FIG. 4 is a rear elevational view of the magnifying glasses of FIG. 1;

FIG. 5 is a front elevational view of the magnifying glasses of FIG. 1; and,

FIG. 6 is a top view of the magnifying glasses of FIG. 1.

1 Claim, 3 Drawing Sheets

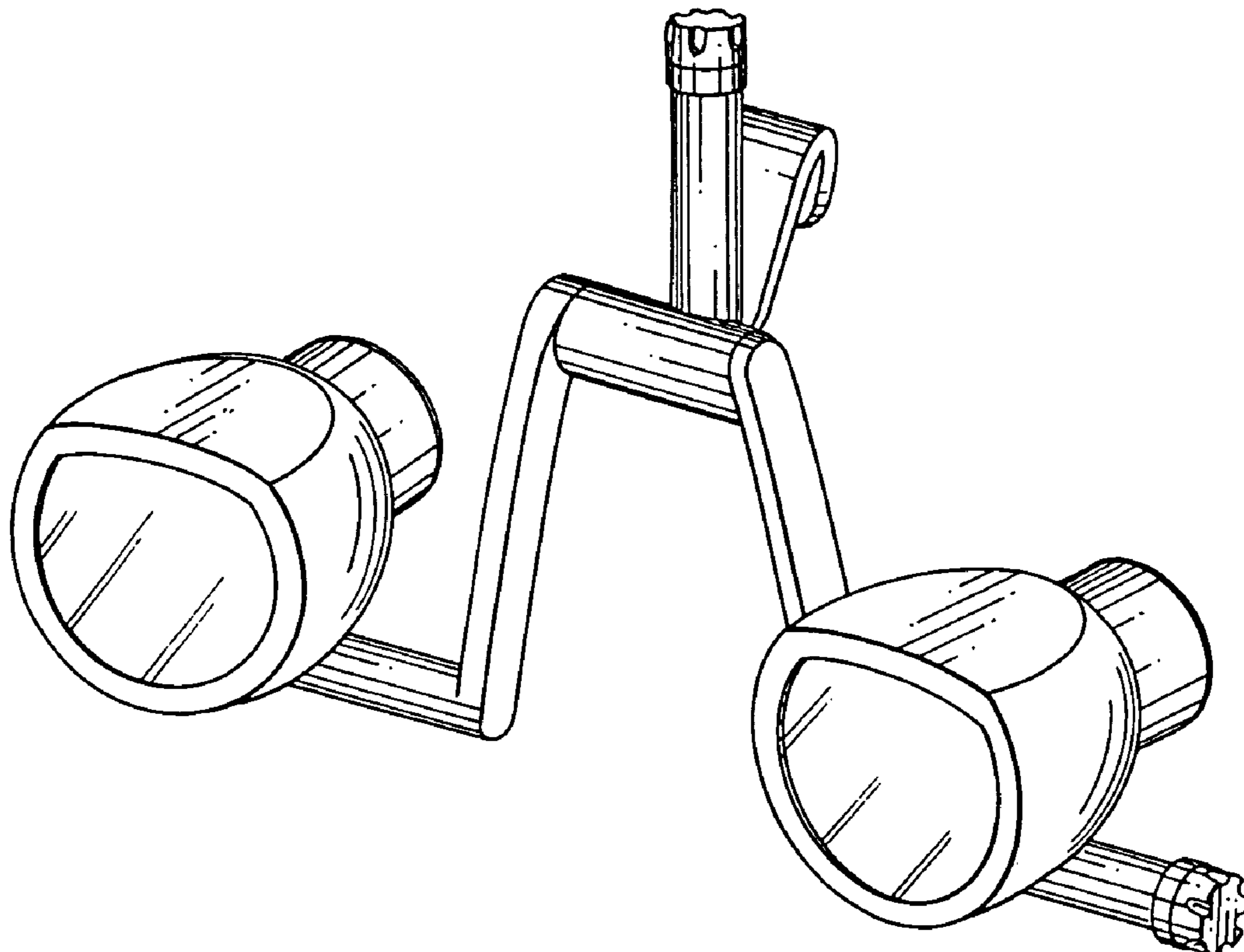


Fig. 1

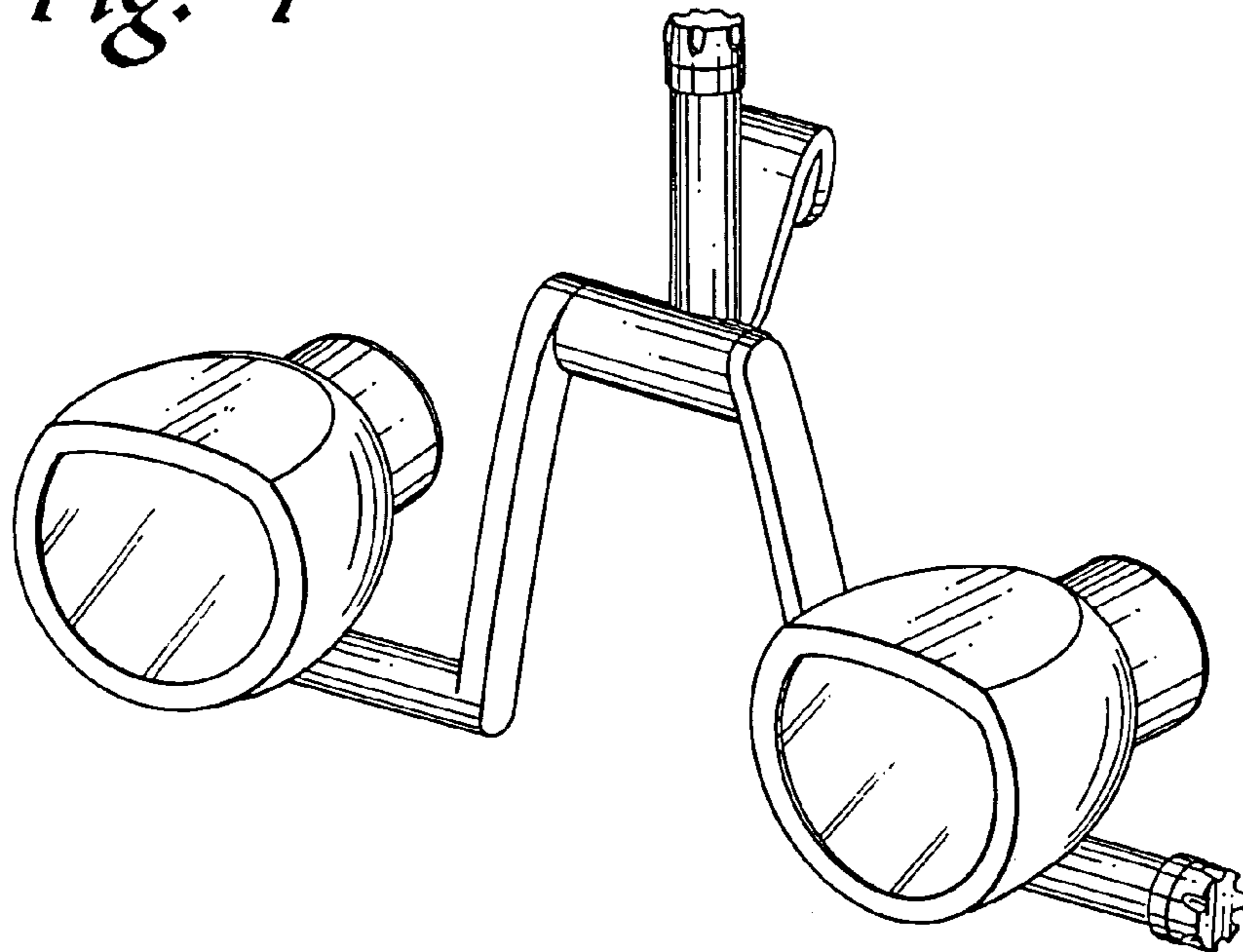


Fig. 2

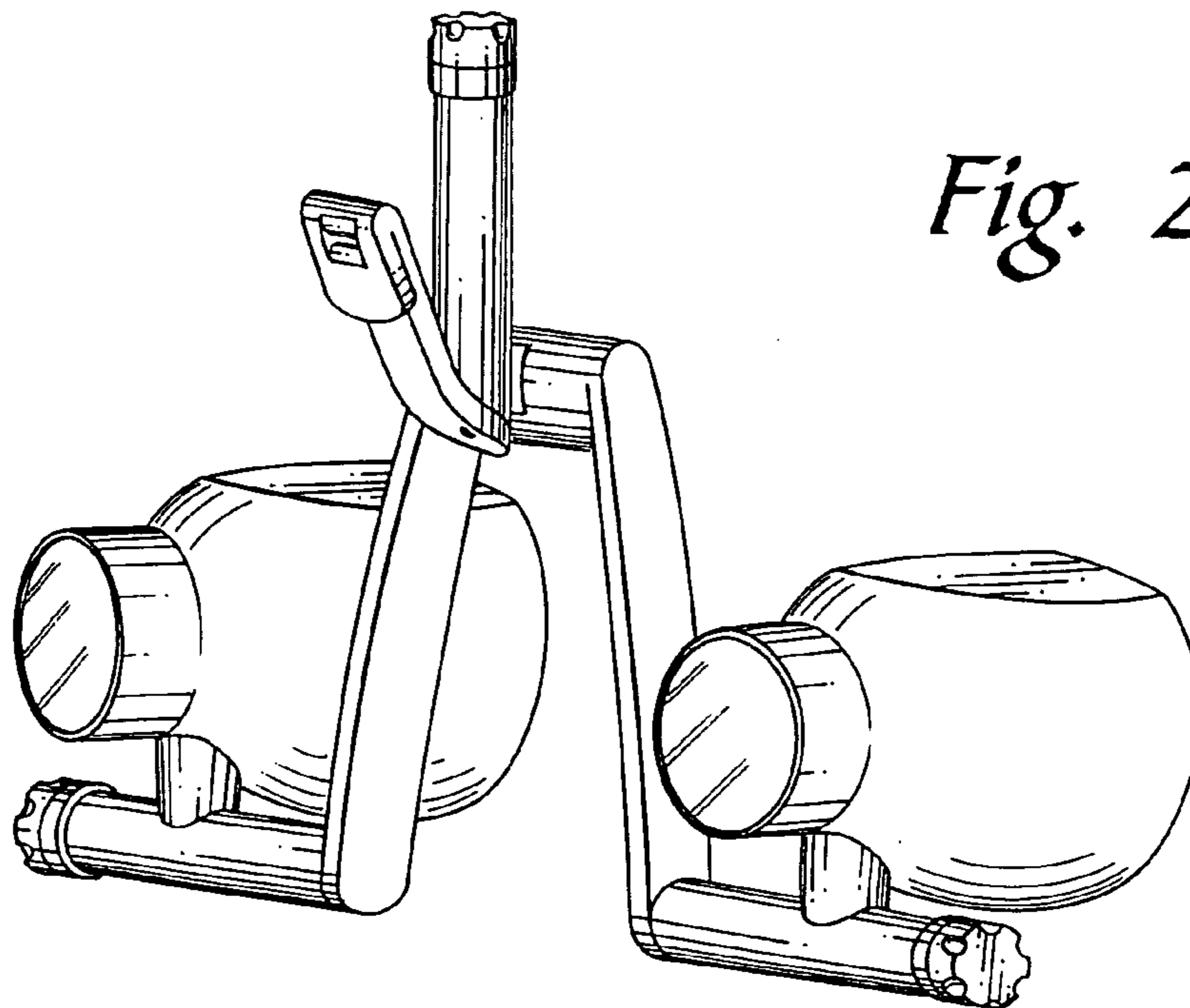


Fig. 3

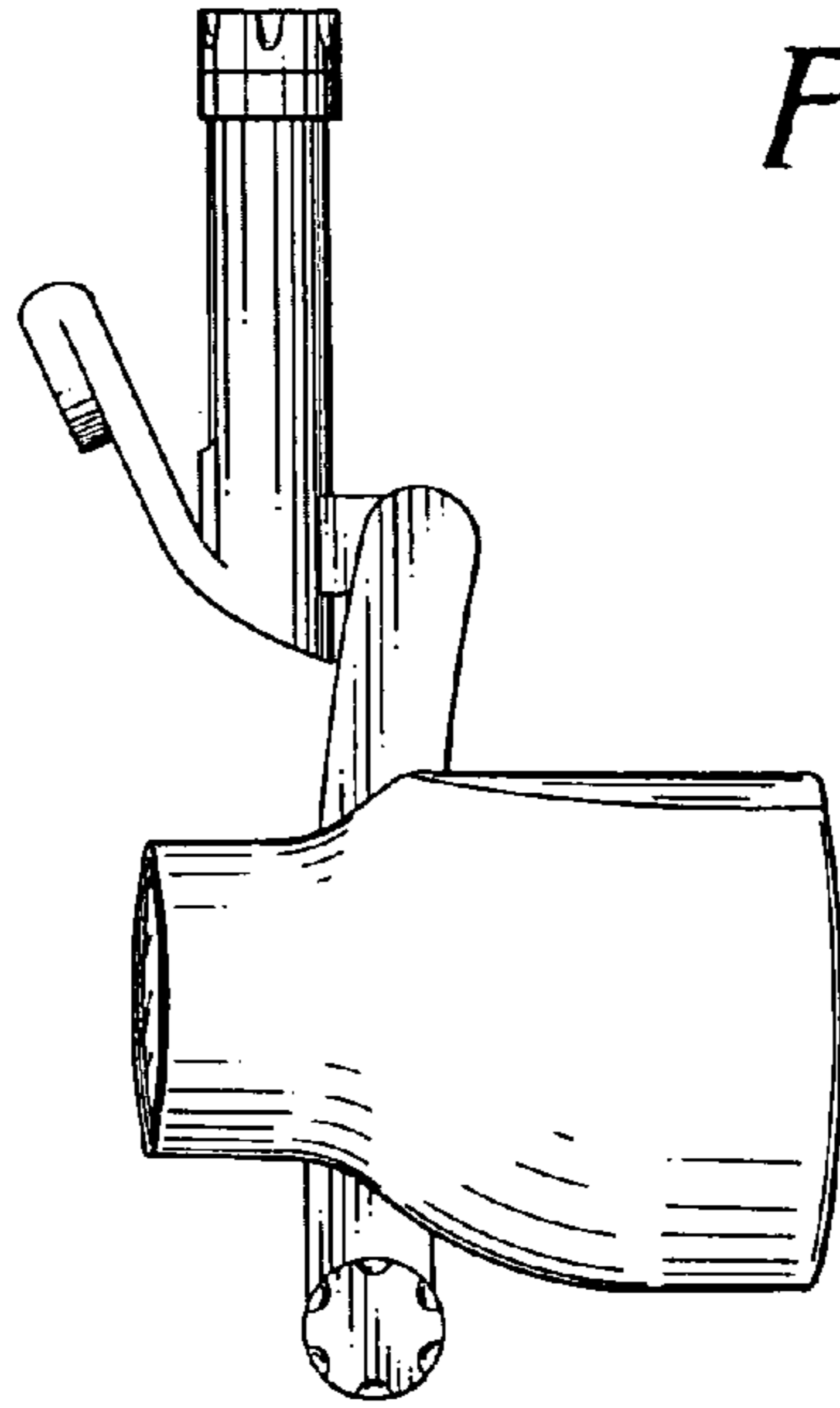


Fig. 4

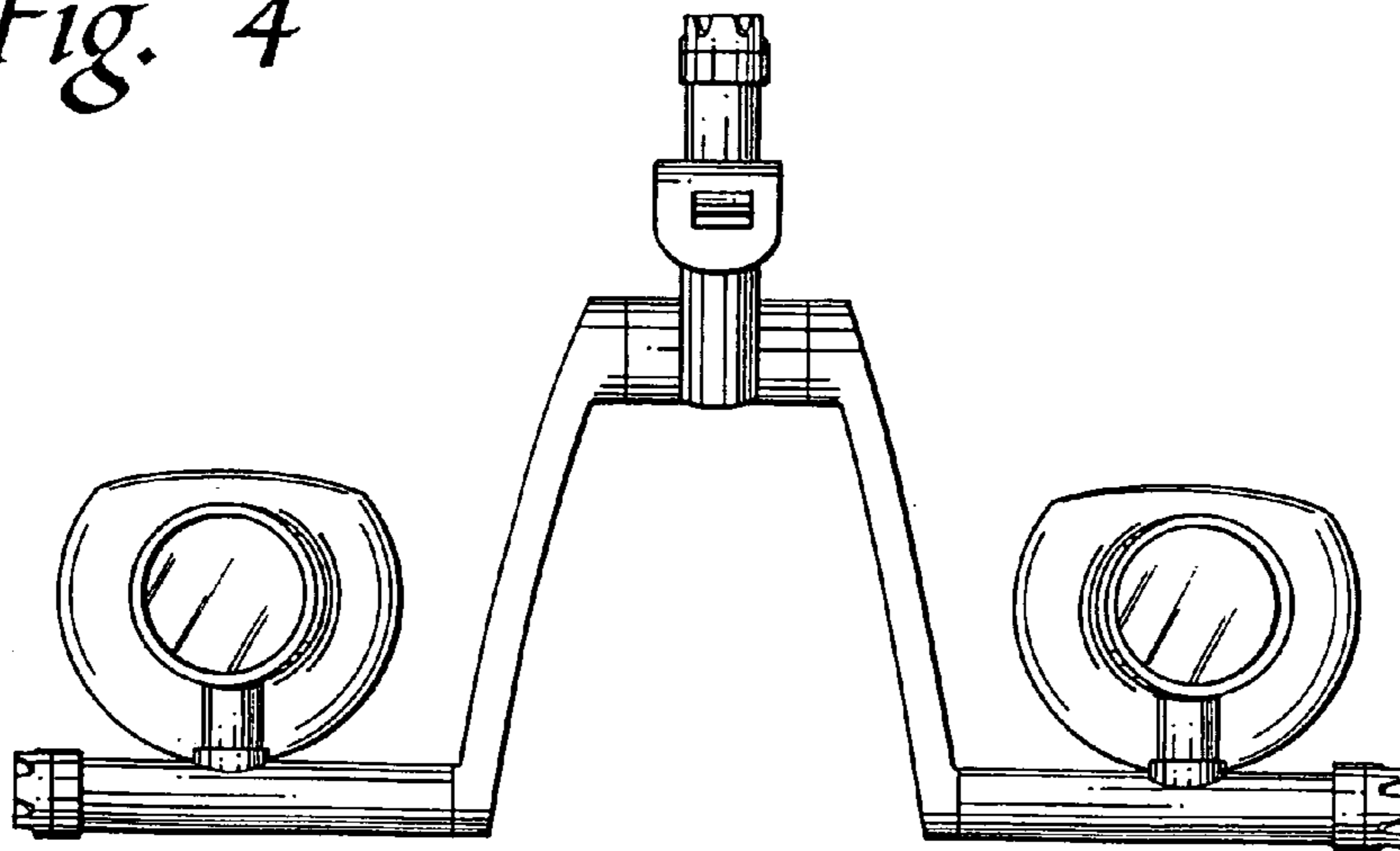


Fig. 5

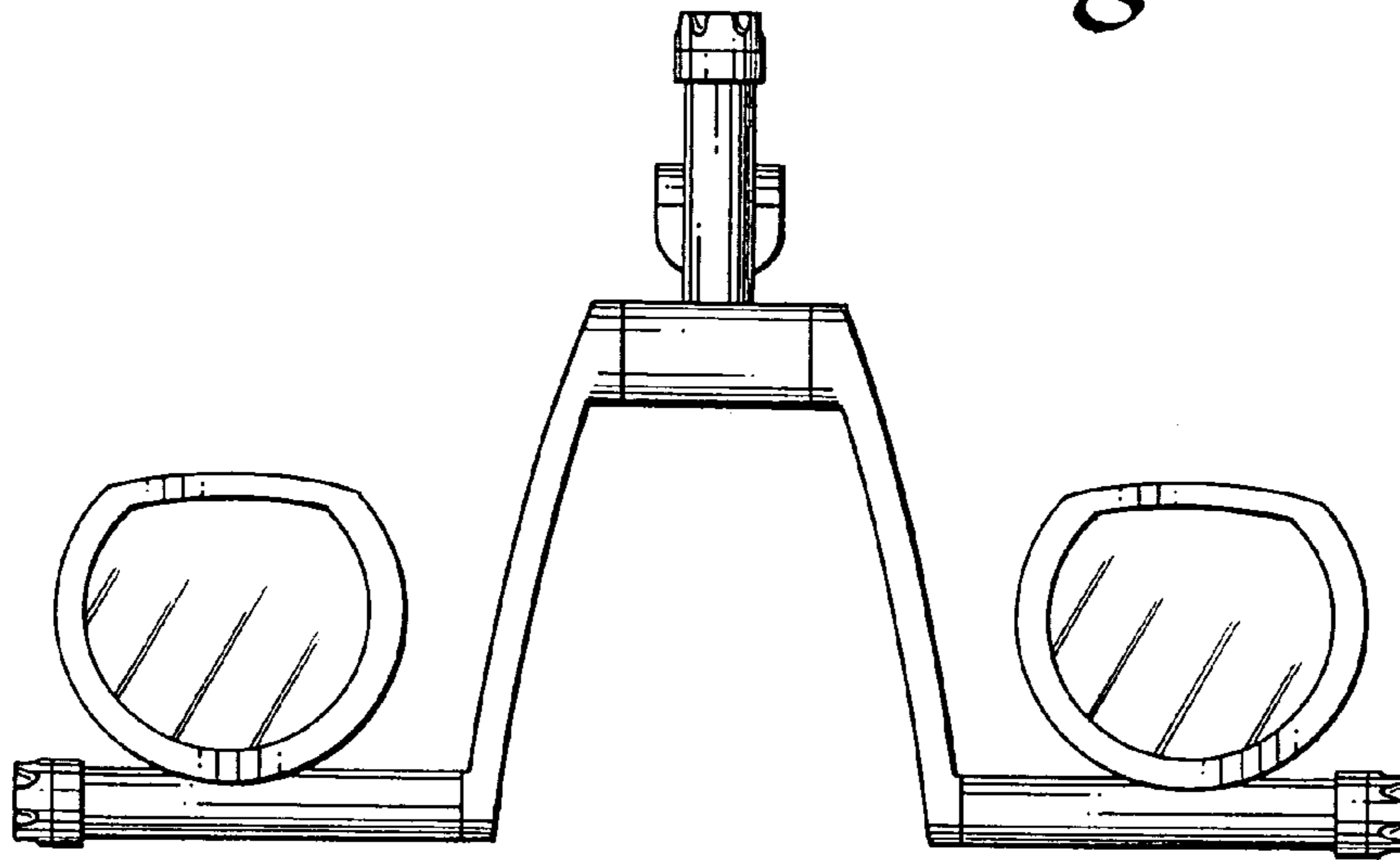


Fig. 6

