



US00D597581S

(12) **United States Design Patent**  
**Sakamaki et al.**

(10) **Patent No.:** **US D597,581 S**

(45) **Date of Patent:** **\*\* Aug. 4, 2009**

(54) **PROJECTOR**

(75) Inventors: **Isao Sakamaki**, Matsumoto (JP); **Tetsu Nakayama**, Shiojiri (JP); **Genta Kowabe**, Matsumoto (JP); **Yasutomo Takahashi**, Matsumoto (JP); **Hirohisa Nakano**, Matsumoto (JP); **Toshimitsu Watanabe**, Matsumoto (JP)

(73) Assignee: **Seiko Epson Corporation**, Tokyo (JP)

(\*\*) Term: **14 Years**

(21) Appl. No.: **29/321,089**

(22) Filed: **Jul. 10, 2008**

(30) **Foreign Application Priority Data**

Mar. 26, 2008 (JP) ..... 2008-007503

(51) **LOC (9) Cl.** ..... **16-02**

(52) **U.S. Cl.** ..... **D16/230; D16/225**

(58) **Field of Classification Search** ..... D16/205,  
D16/208, 213, 221, 225, 230-231, 234; D21/514;  
353/115, 119, 122

See application file for complete search history.

(56) **References Cited**

**U.S. PATENT DOCUMENTS**

D470,525 S \* 2/2003 Nakayama et al. .... D16/231

D498,490 S \* 11/2004 Kawasaki et al. .... D16/231

6,966,653 B2 \* 11/2005 Kitabayashi ..... 353/60

D527,407 S \* 8/2006 Kawasaki et al. .... D16/230

D548,264 S \* 8/2007 Sakamaki et al. .... D16/230

D565,078 S \* 3/2008 Funaki et al. .... D16/231

D574,406 S \* 8/2008 Sakamaki et al. .... D16/230

D574,875 S 8/2008 Sakamaki et al.

D578,150 S \* 10/2008 Sakamaki et al. .... D16/230

\* cited by examiner

*Primary Examiner*—Ian Simmons

*Assistant Examiner*—Wan Laymon

(74) *Attorney, Agent, or Firm*—Olliff & Berridge, PLC

(57) **CLAIM**

The ornamental design for a projector, as shown and described.

**DESCRIPTION**

FIG. 1 is a perspective view of a projector with a lens cover being illustrated in an open position;

FIG. 2 is a front view thereof;

FIG. 3 is a rear view thereof;

FIG. 4 is a left-side view thereof;

FIG. 5 is a right-side view thereof;

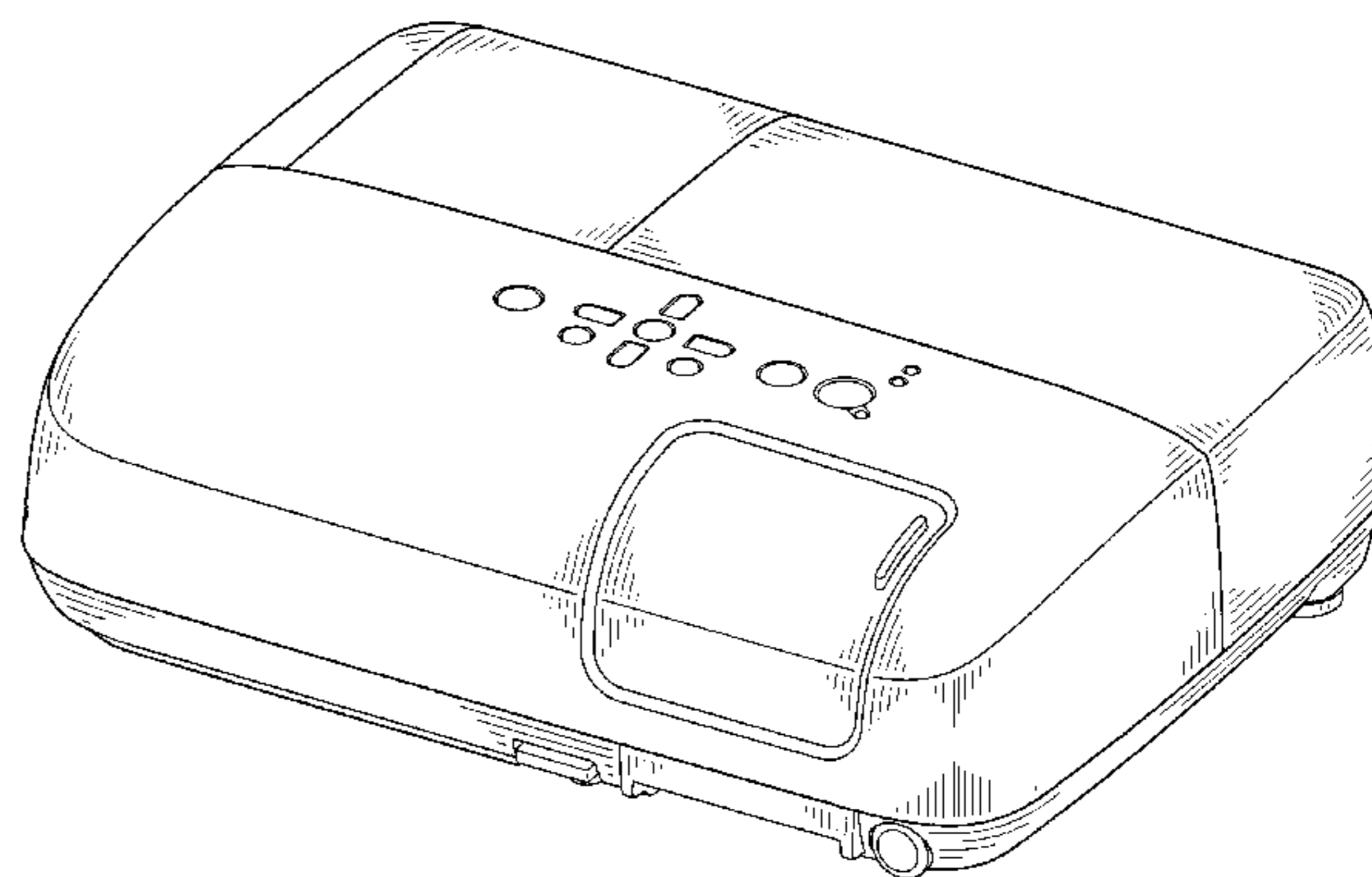
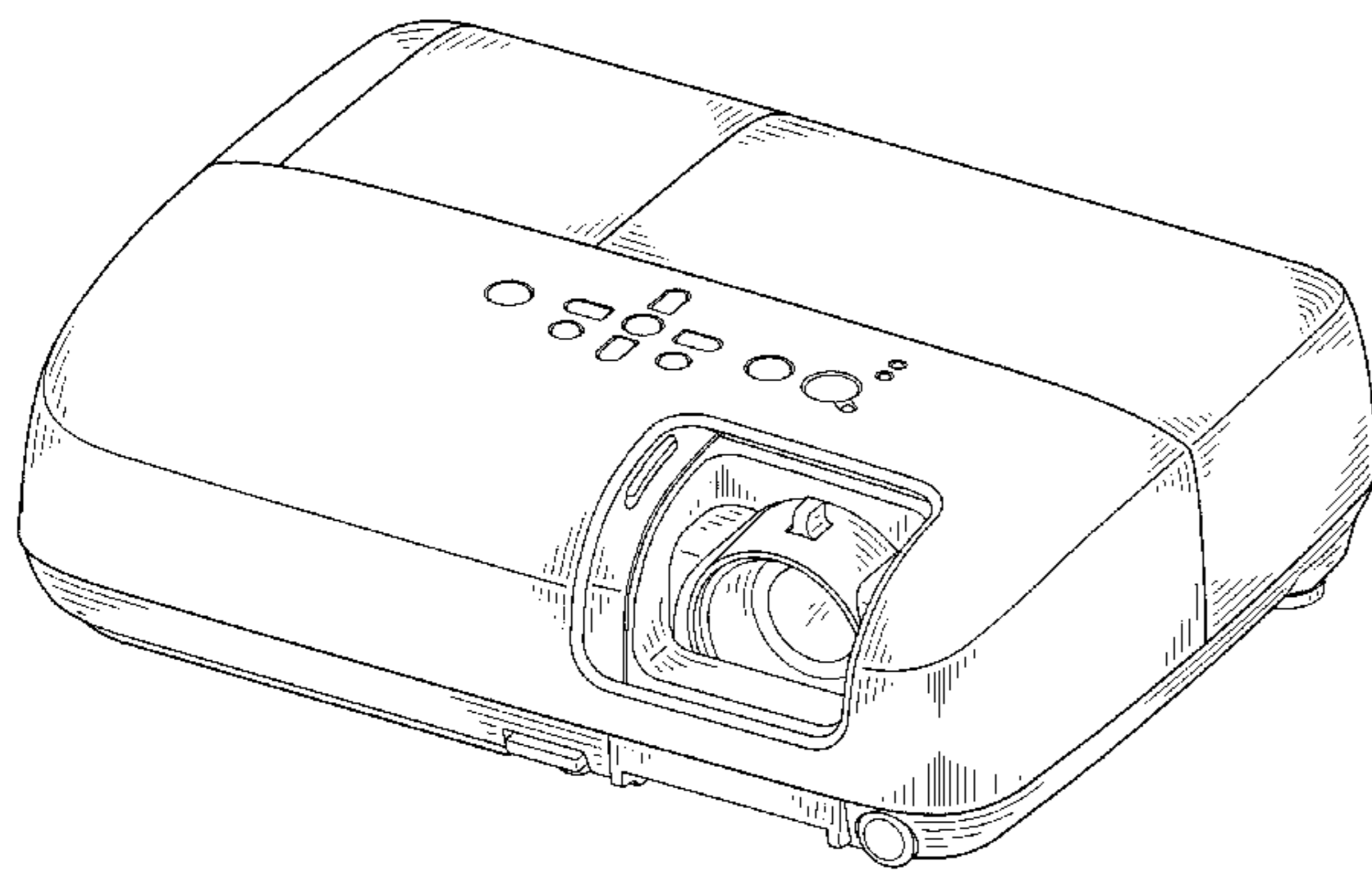
FIG. 6 is top view thereof;

FIG. 7 is a bottom view thereof; and,

FIG. 8 is a perspective view of a projector similar to FIG. 1 with a lens cover being illustrated in a closed position.

The broken lines depict environmental subject matter only and form no part of the claimed design.

**1 Claim, 6 Drawing Sheets**



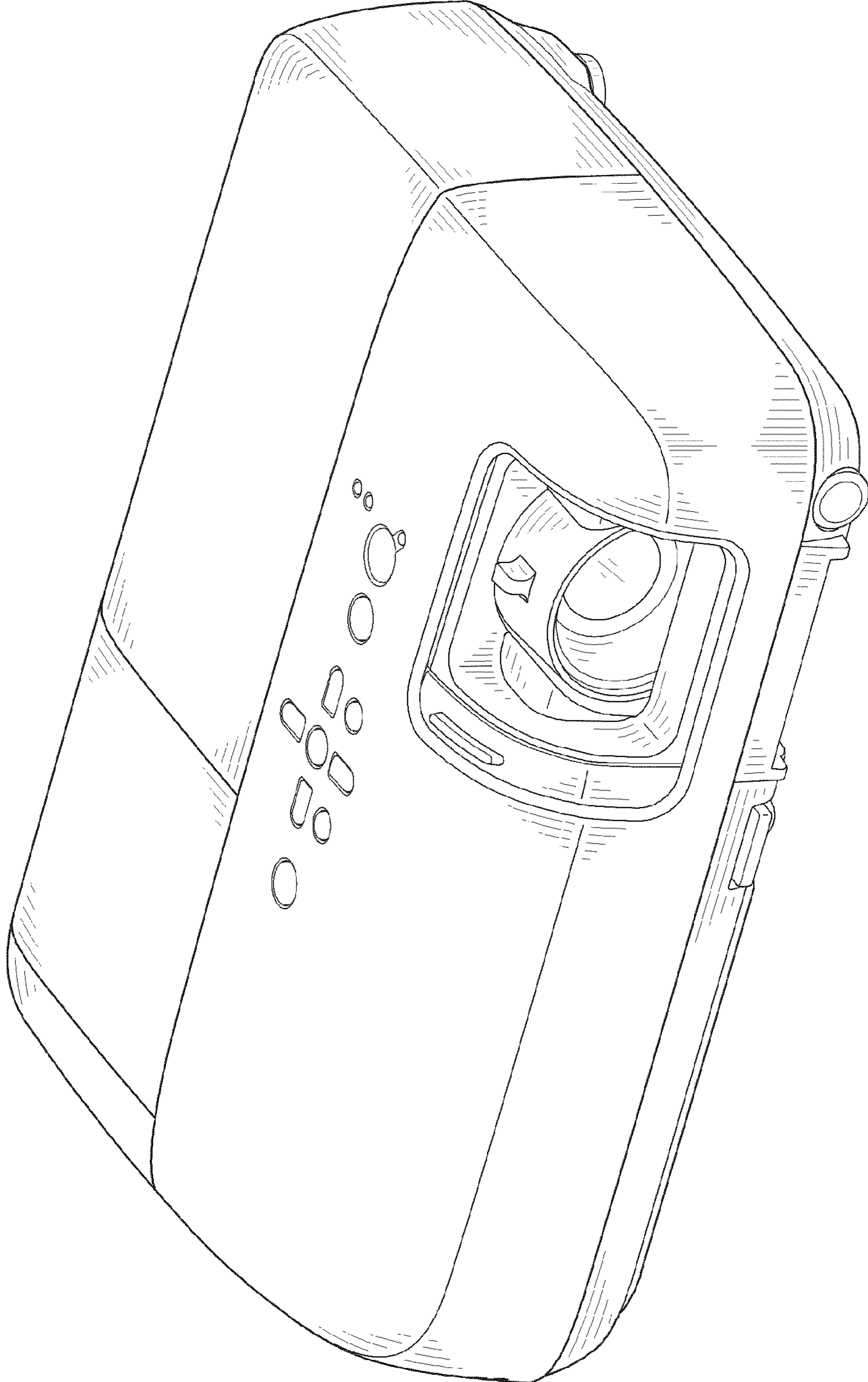


FIG. 1

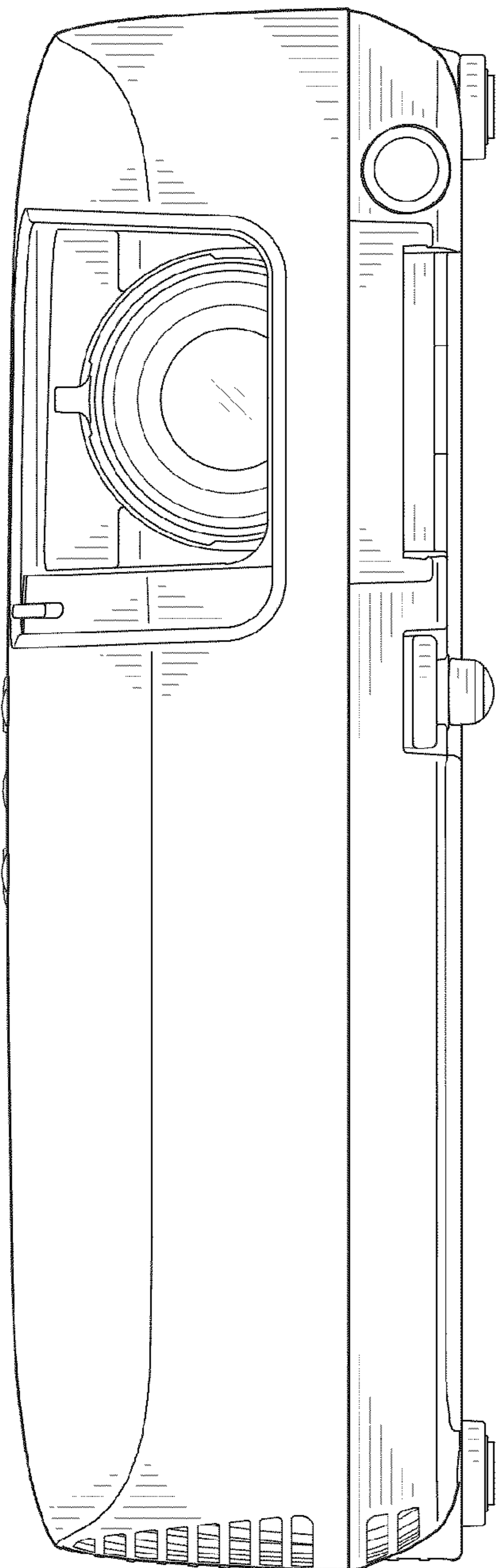


FIG. 2

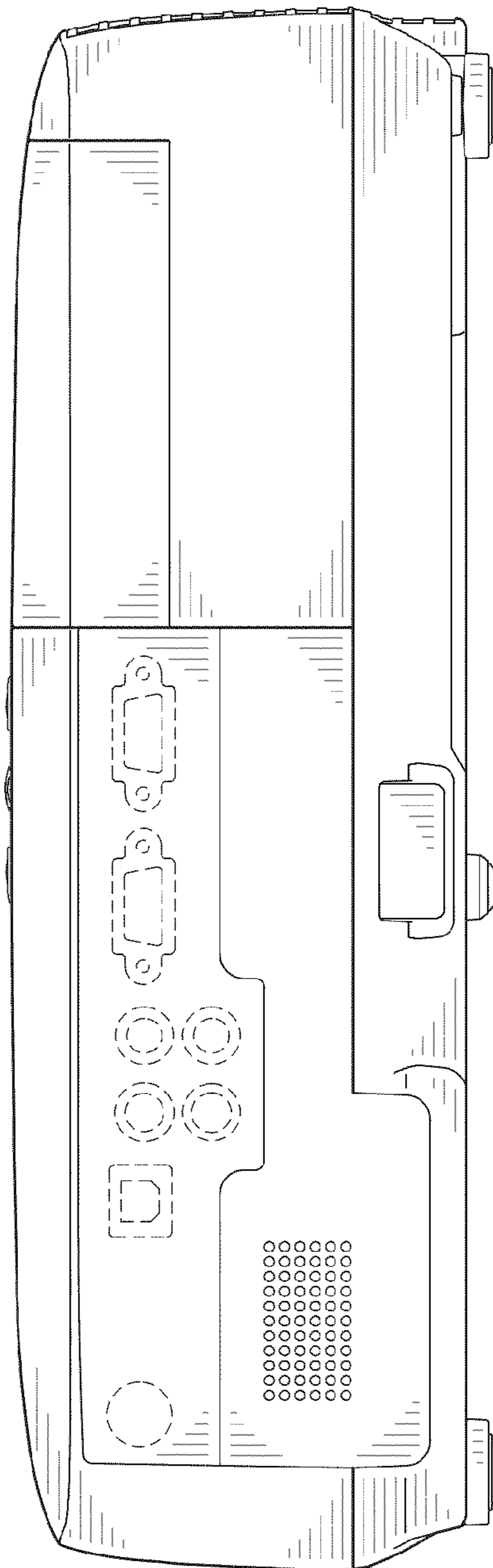


FIG. 3

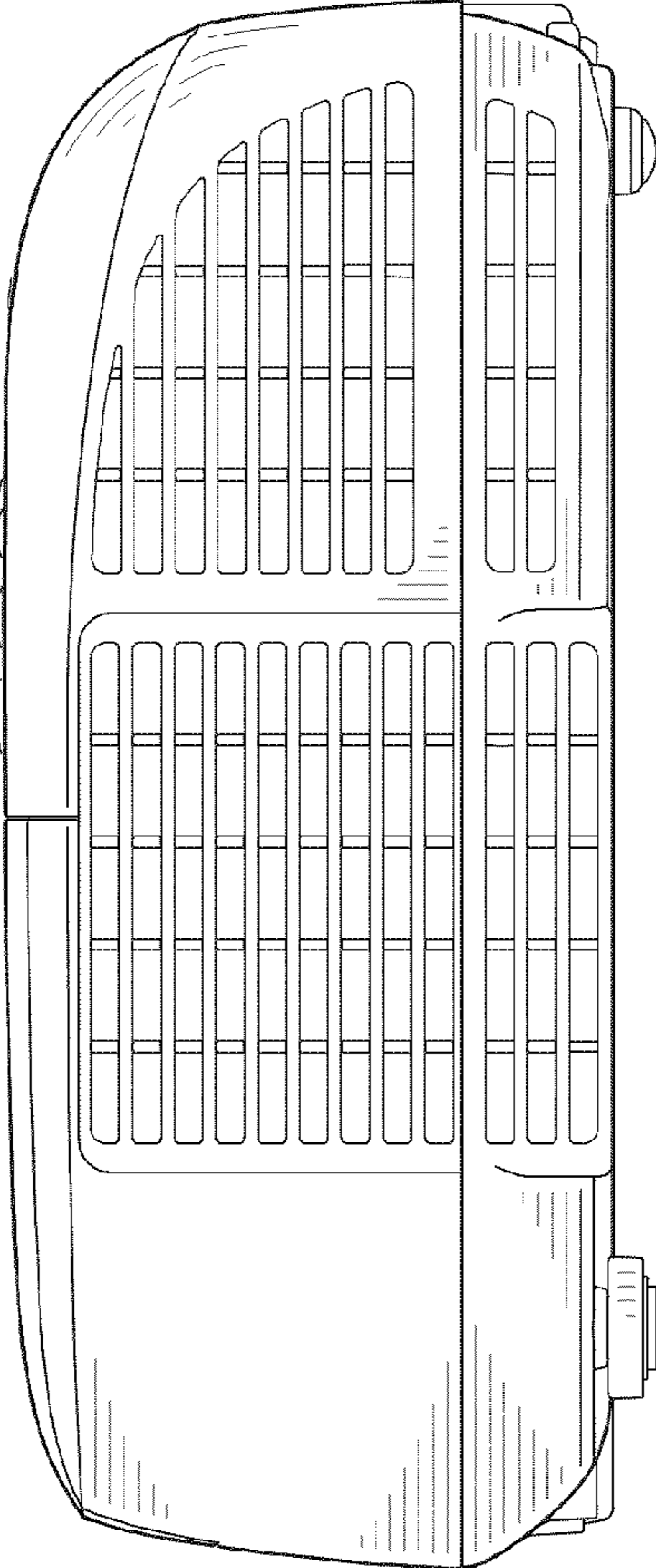


FIG. 4

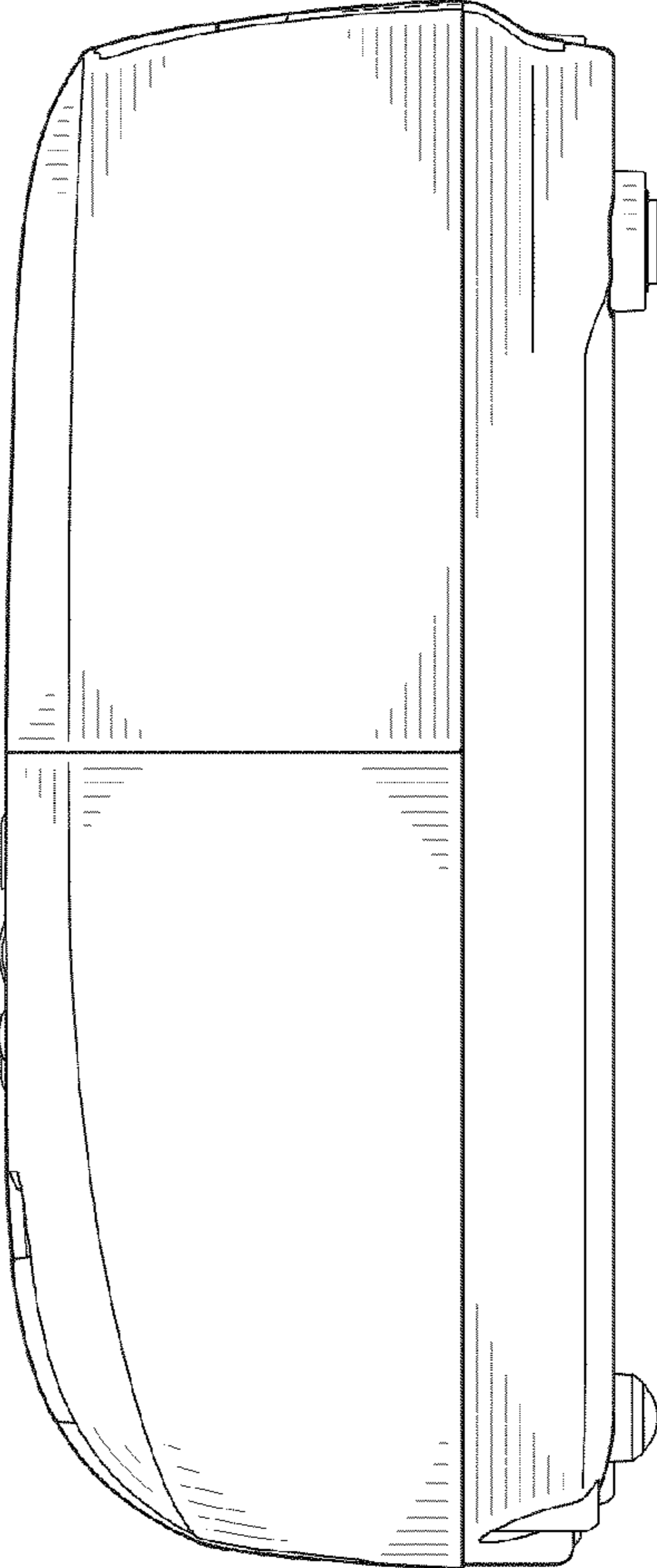


FIG. 5

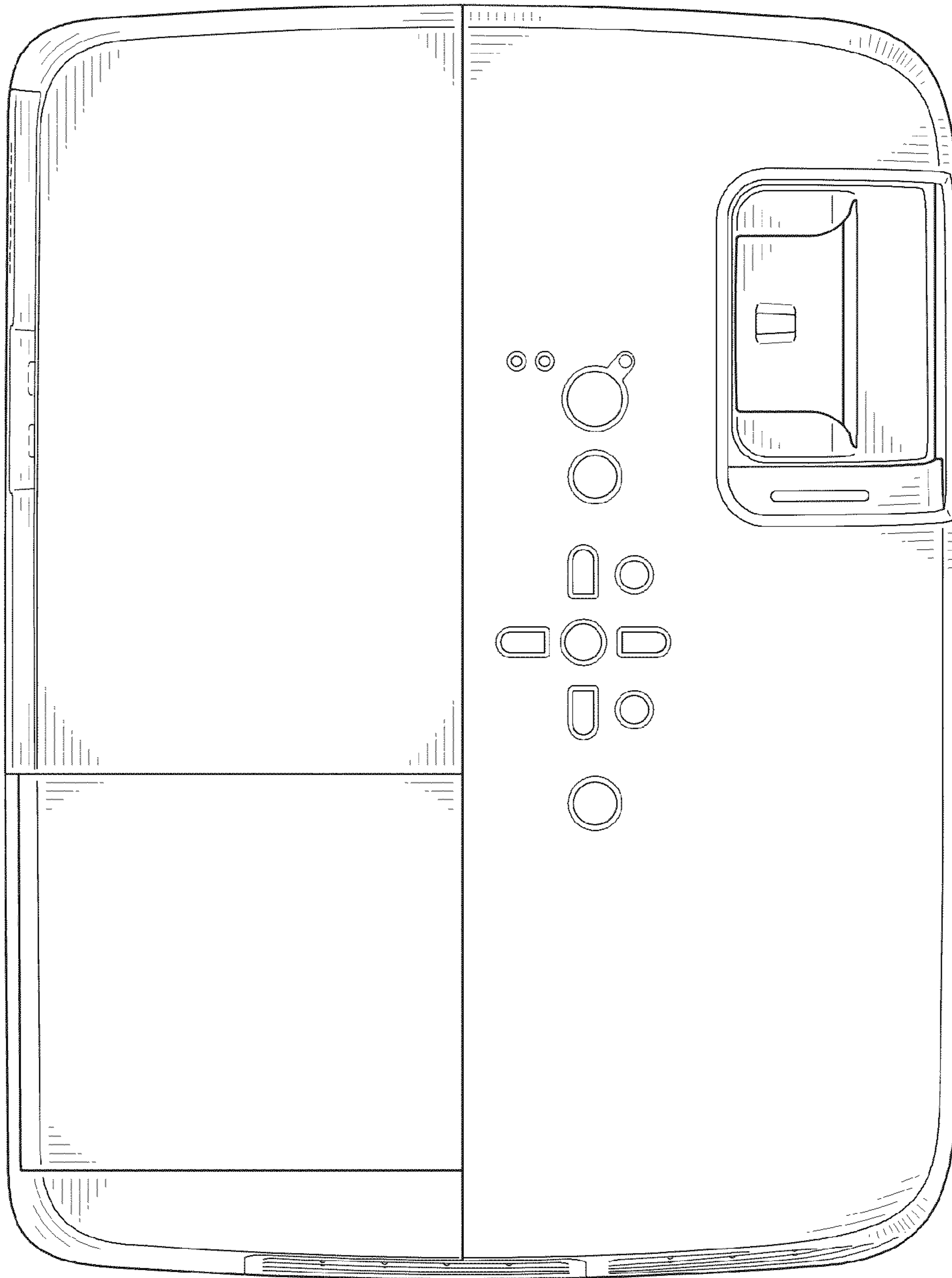


FIG. 6

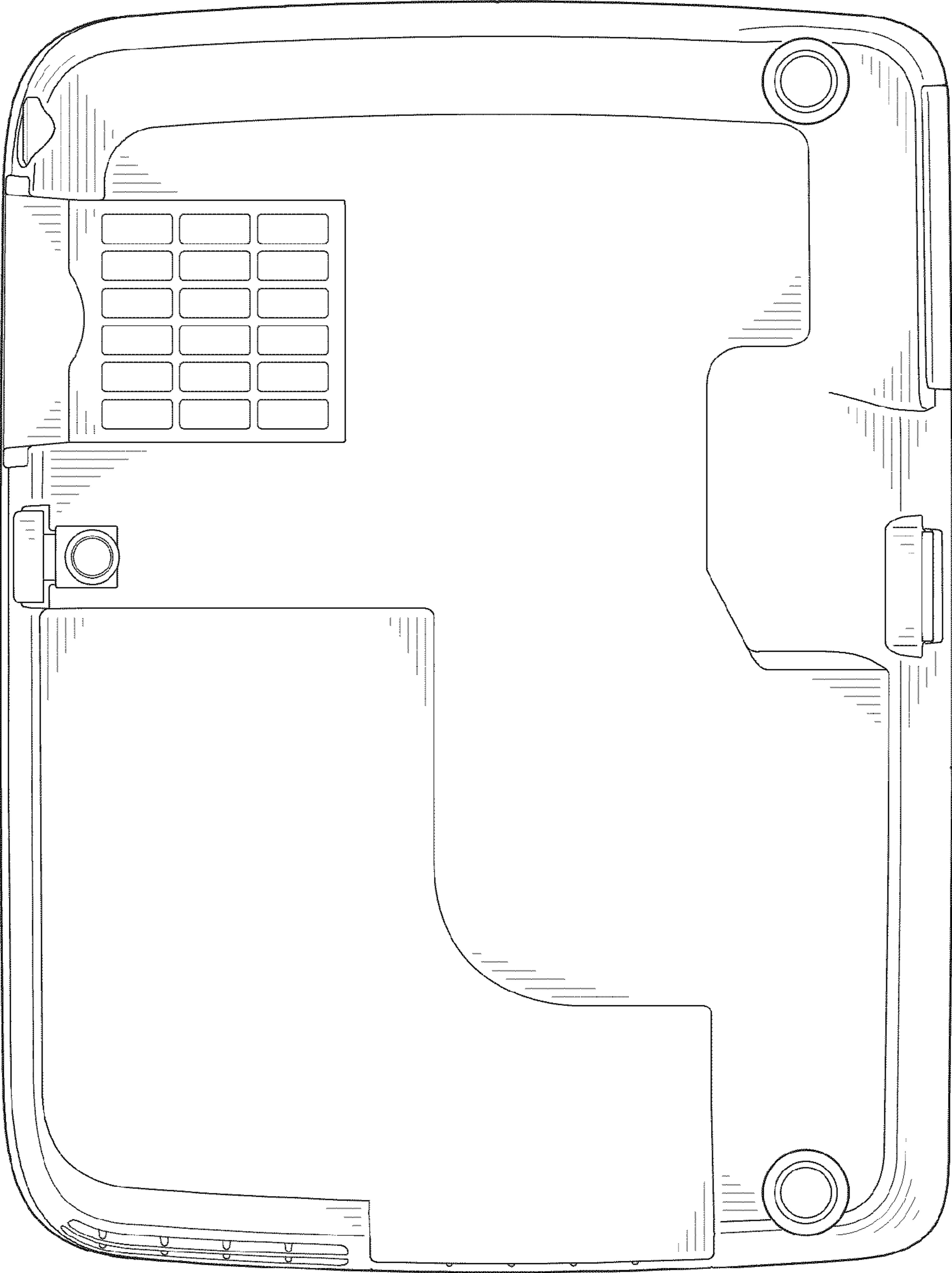


FIG. 7

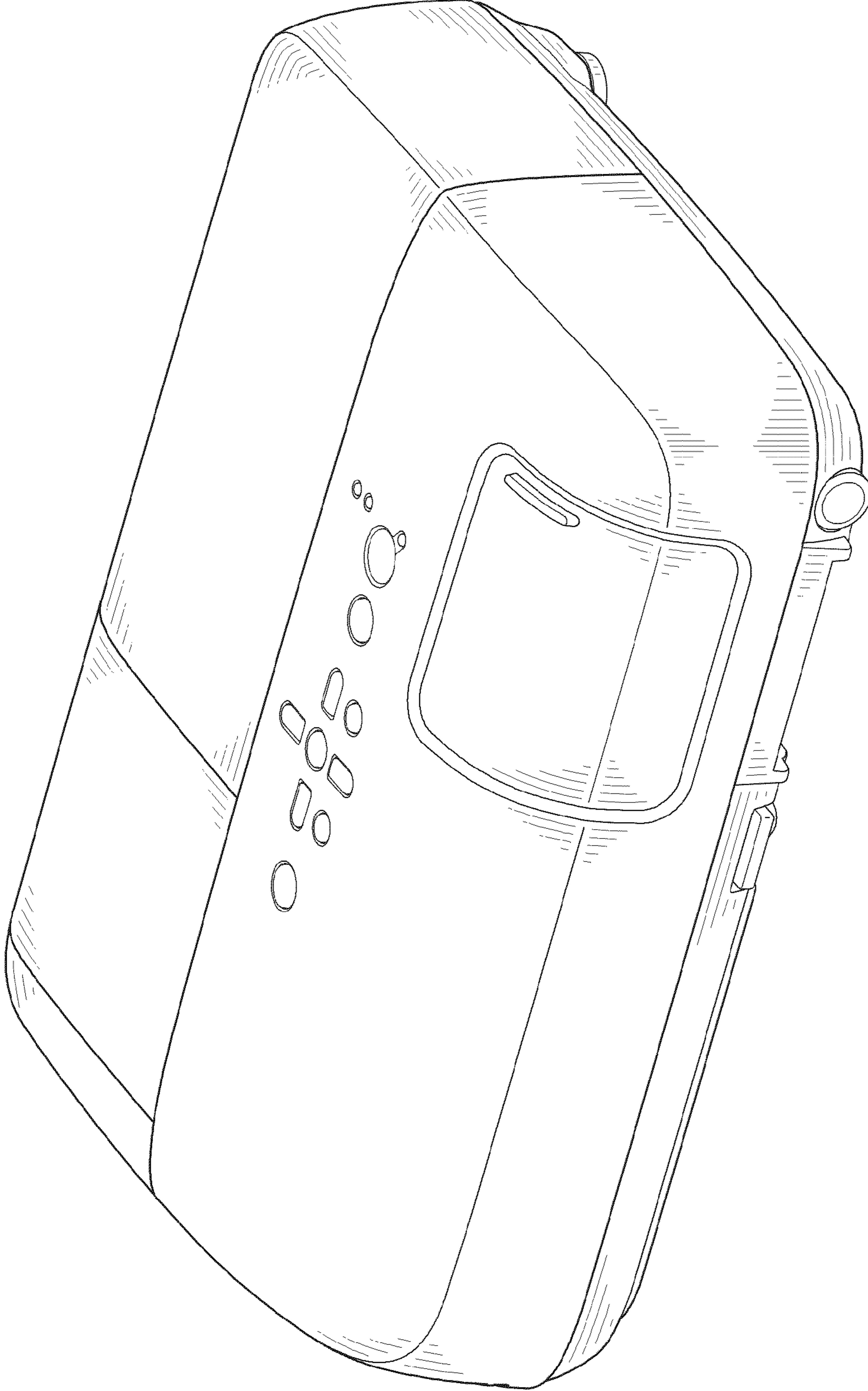


FIG. 8

UNITED STATES PATENT AND TRADEMARK OFFICE  
**CERTIFICATE OF CORRECTION**

PATENT NO. : Des. 597,581 S  
APPLICATION NO. : 29/321089  
DATED : August 4, 2009  
INVENTOR(S) : Isao Sakamaki et al.

Page 1 of 1

It is certified that error appears in the above-identified patent and that said Letters Patent is hereby corrected as shown below:

Title Page please delete the following:

“(75) Inventors: Genta Kowabe, Matsumoto (JP)”

and Replace with:

--(75) Inventors: Genta Kawabe, Matsumoto (JP)--

Signed and Sealed this

Twenty-sixth Day of January, 2010



David J. Kappos  
*Director of the United States Patent and Trademark Office*