



US00D597580S

(12) **United States Design Patent**
Kitera

(10) **Patent No.:** **US D597,580 S**
(45) **Date of Patent:** **** Aug. 4, 2009**

(54) **CONVERSION LENS**

(75) Inventor: **Jun Kitera**, Tokyo (JP)
(73) Assignee: **Hoya Corporation**, Tokyo (JP)
(**) Term: **14 Years**
(21) Appl. No.: **29/320,652**
(22) Filed: **Jul. 1, 2008**

(30) **Foreign Application Priority Data**
Jan. 29, 2008 (JP) 2008-001713

(51) **LOC (9) Cl.** **16-05**
(52) **U.S. Cl.** **D16/219; D16/134**
(58) **Field of Classification Search** D16/134,
D16/136, 200, 202, 203, 205, 217, 219, 237;
359/811, 815, 819, 826-828; 348/373-376;
396/529-532, 544
See application file for complete search history.

(56) **References Cited**

U.S. PATENT DOCUMENTS

5,483,384 A * 1/1996 Takizawa et al. 359/827
5,561,564 A * 10/1996 Nakamura et al. 359/825
D439,918 S * 4/2001 Yamaguchi et al. D16/134
D482,377 S * 11/2003 Tajima D16/134
D548,262 S * 8/2007 Nakamura D16/219
2004/0179277 A1 * 9/2004 Stallard et al. 359/811

FOREIGN PATENT DOCUMENTS

JP 1249383 D 8/2005

OTHER PUBLICATIONS

Japanese Office Action dated Jun. 27, 2008.
Accessories catalog Kogyo Shinbun 1995, p. 8, Lens Hood Part lends
(NH08010303) Feb. 16, 1996.

* cited by examiner

Primary Examiner—Adir Aronovich
(74) *Attorney, Agent, or Firm*—Sughrue Mion, PLLC

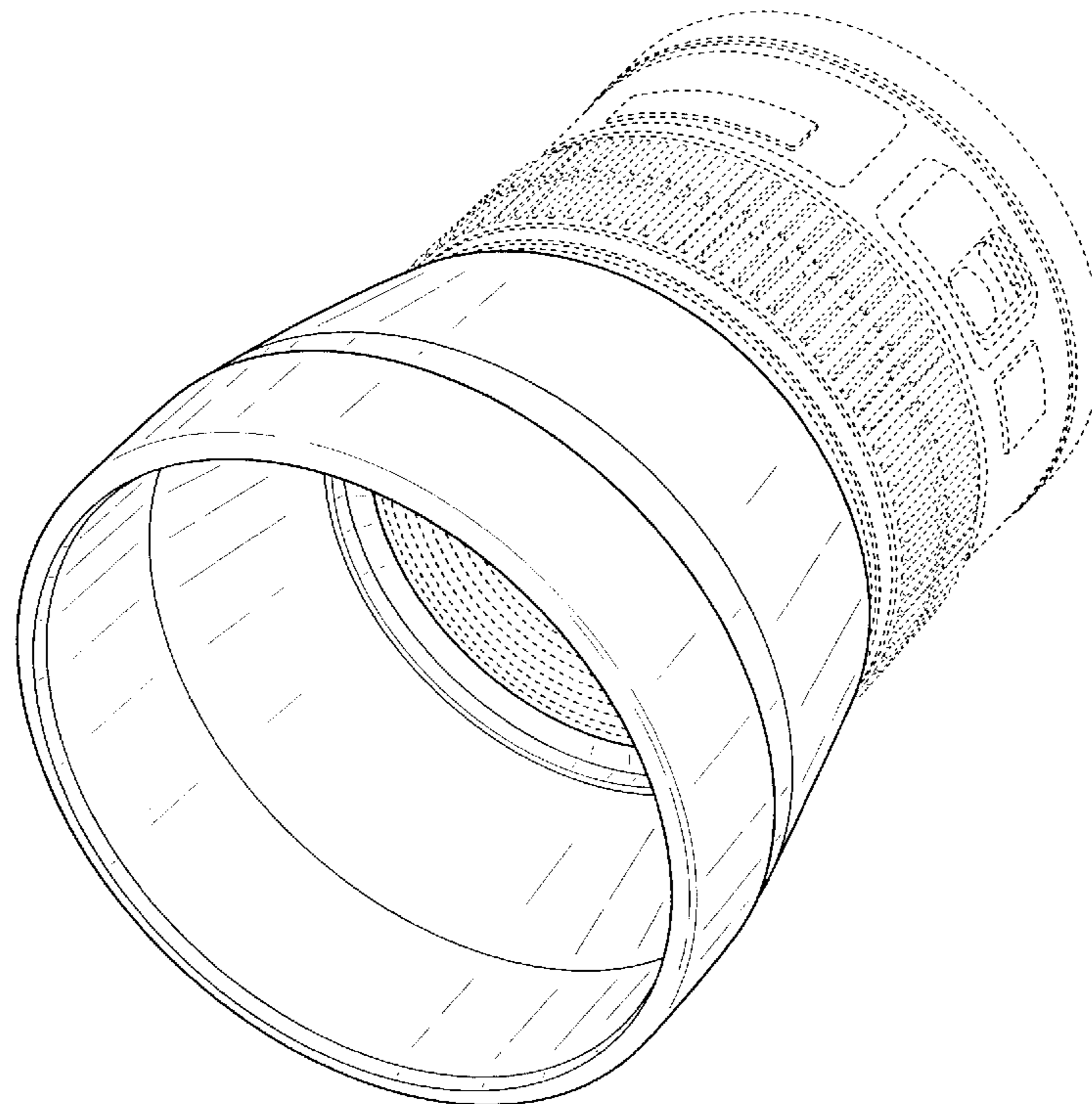
(57) **CLAIM**

The ornamental design for a conversion lens, as shown and described.

DESCRIPTION

FIG. 1 is a front right side perspective view of a conversion lens of the present invention;
FIG. 2 is a right side elevational view thereof;
FIG. 3 is a left side elevational view thereof;
FIG. 4 is a front elevational view thereof;
FIG. 5 is a rear elevational view thereof;
FIG. 6 is a top plan view thereof; and,
FIG. 7 is bottom plan view thereof.
Portions of the conversion lens shown by broken lines are for illustrative purposes only and form no part of the claimed design.

1 Claim, 4 Drawing Sheets



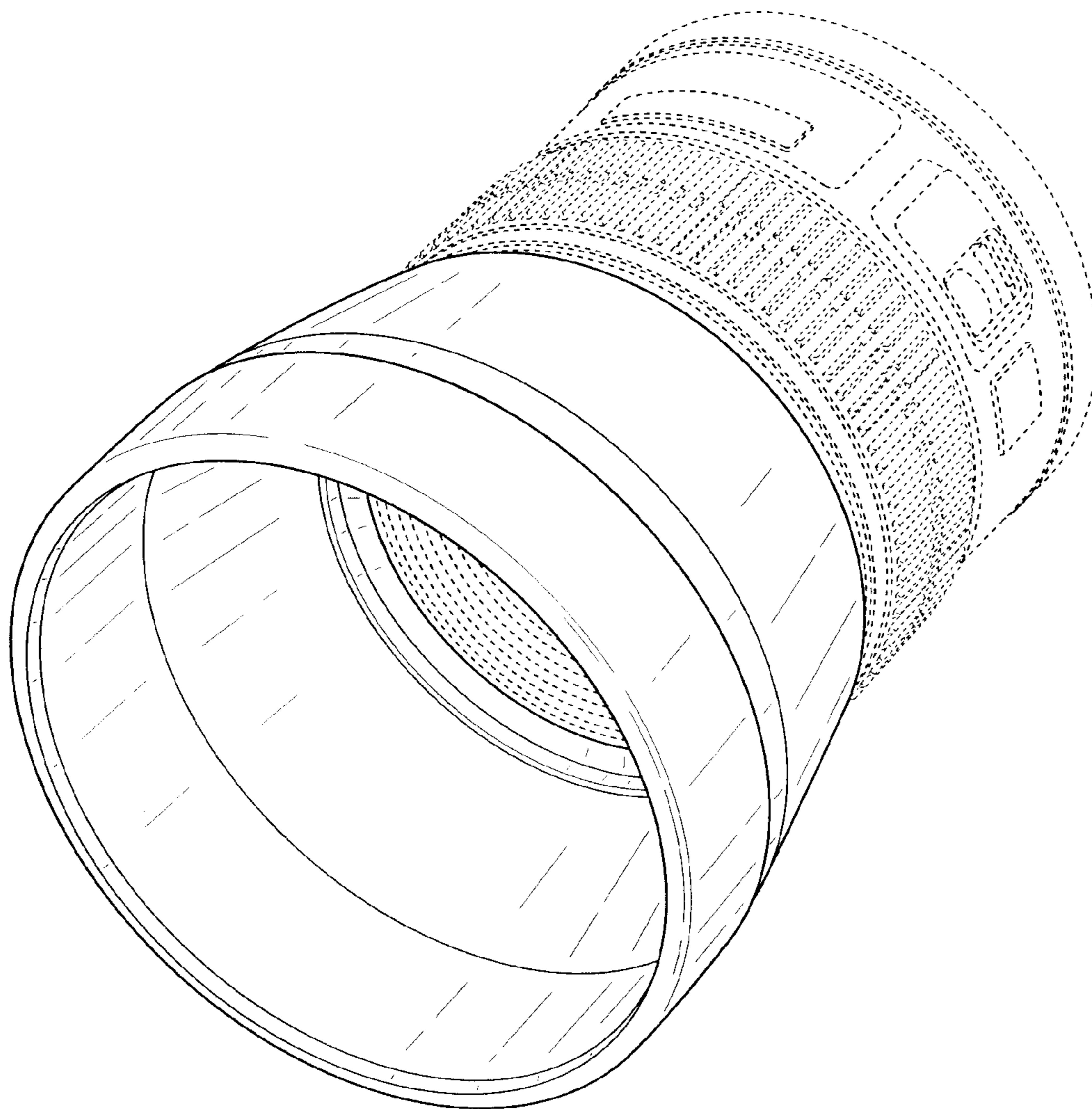


FIG. 1

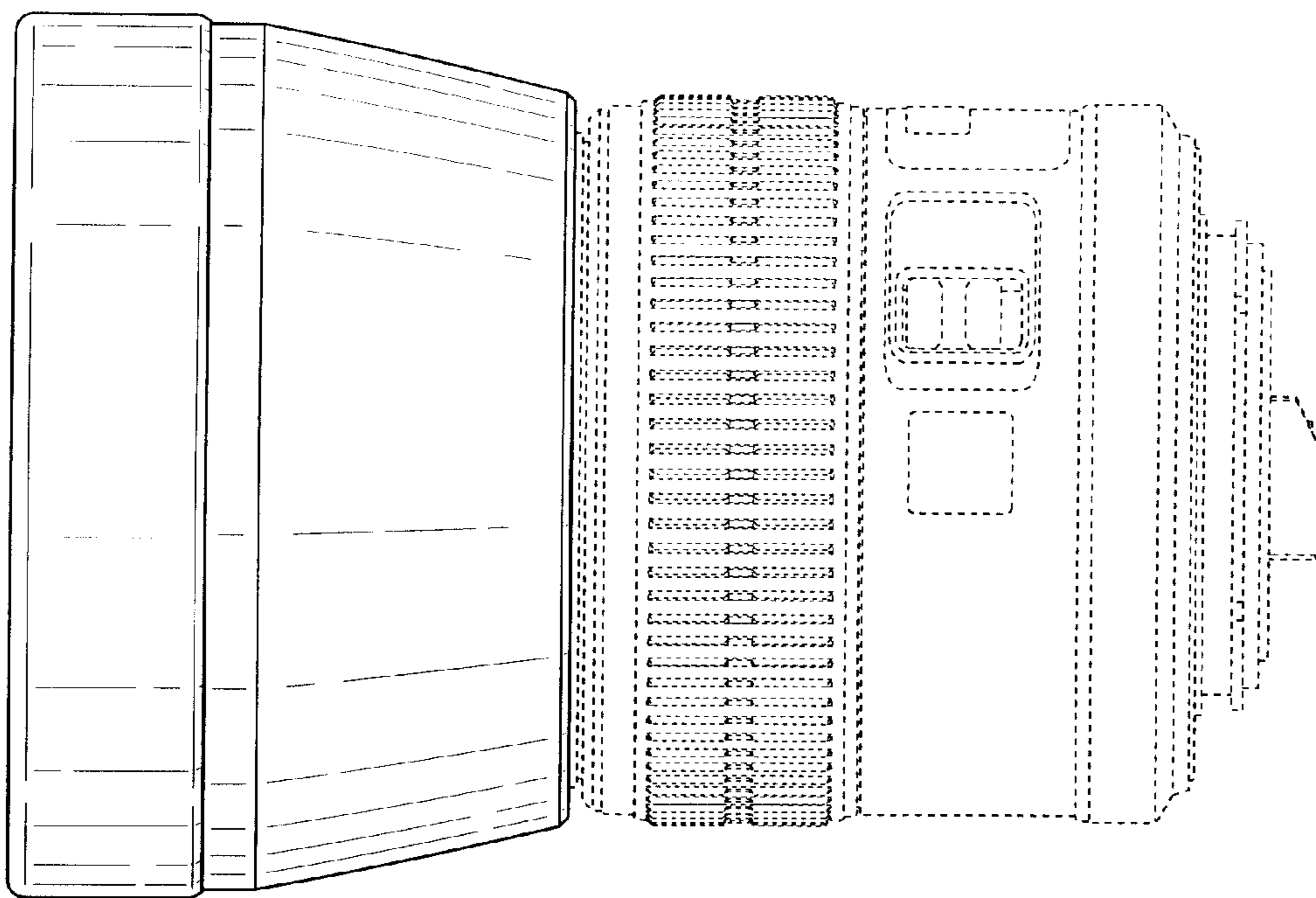


FIG. 2

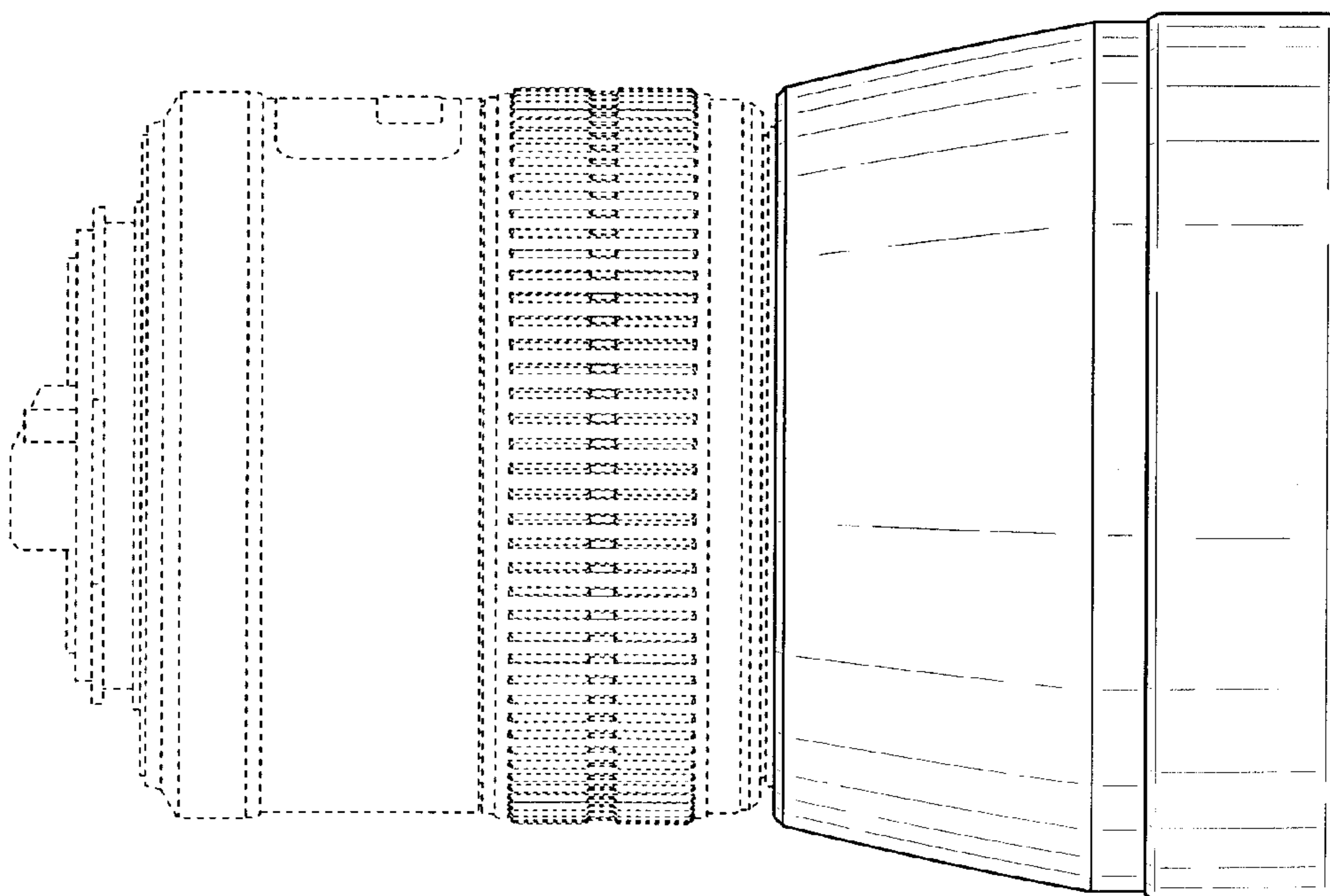


FIG. 3

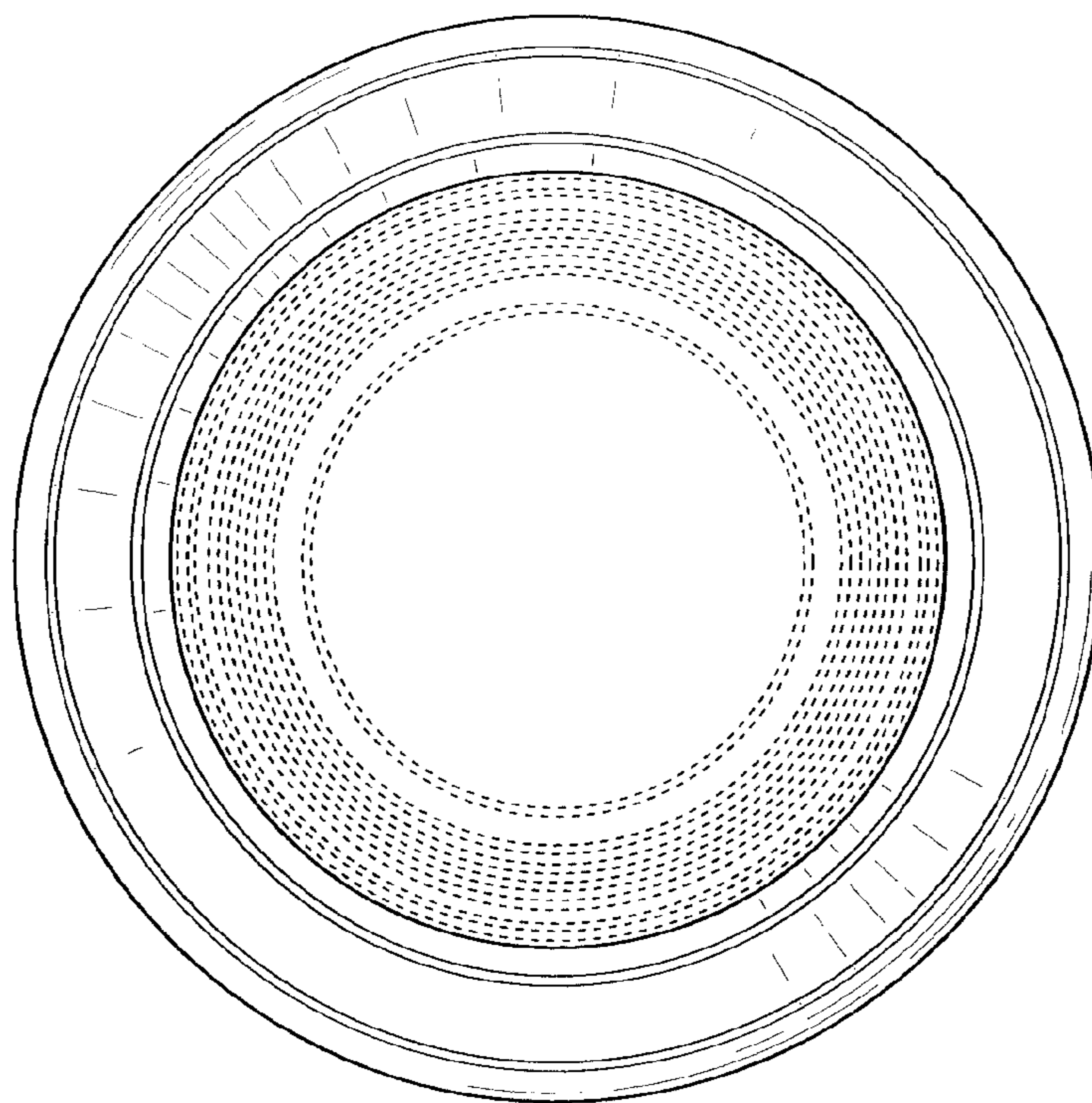


FIG. 4



FIG. 5

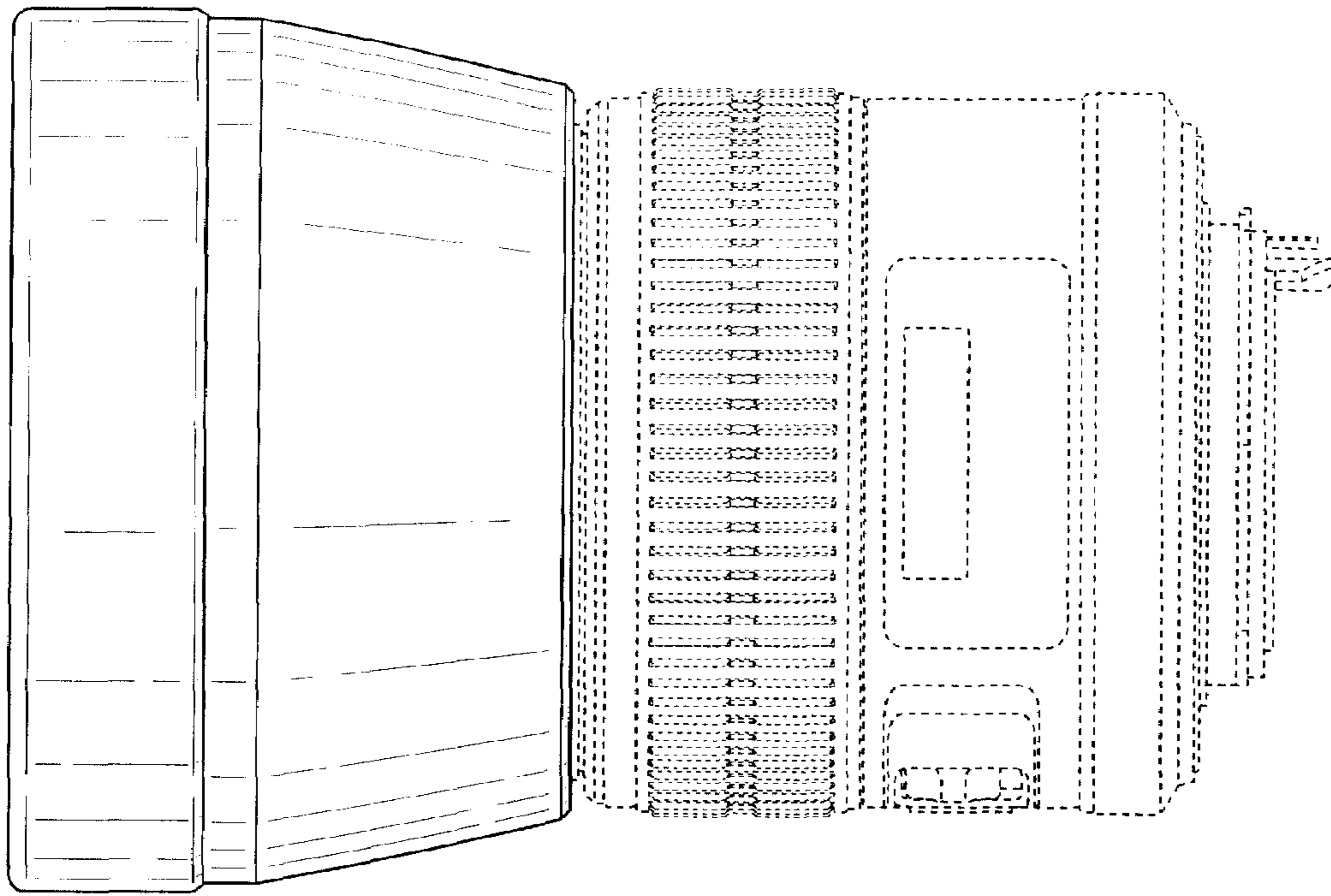


FIG. 6

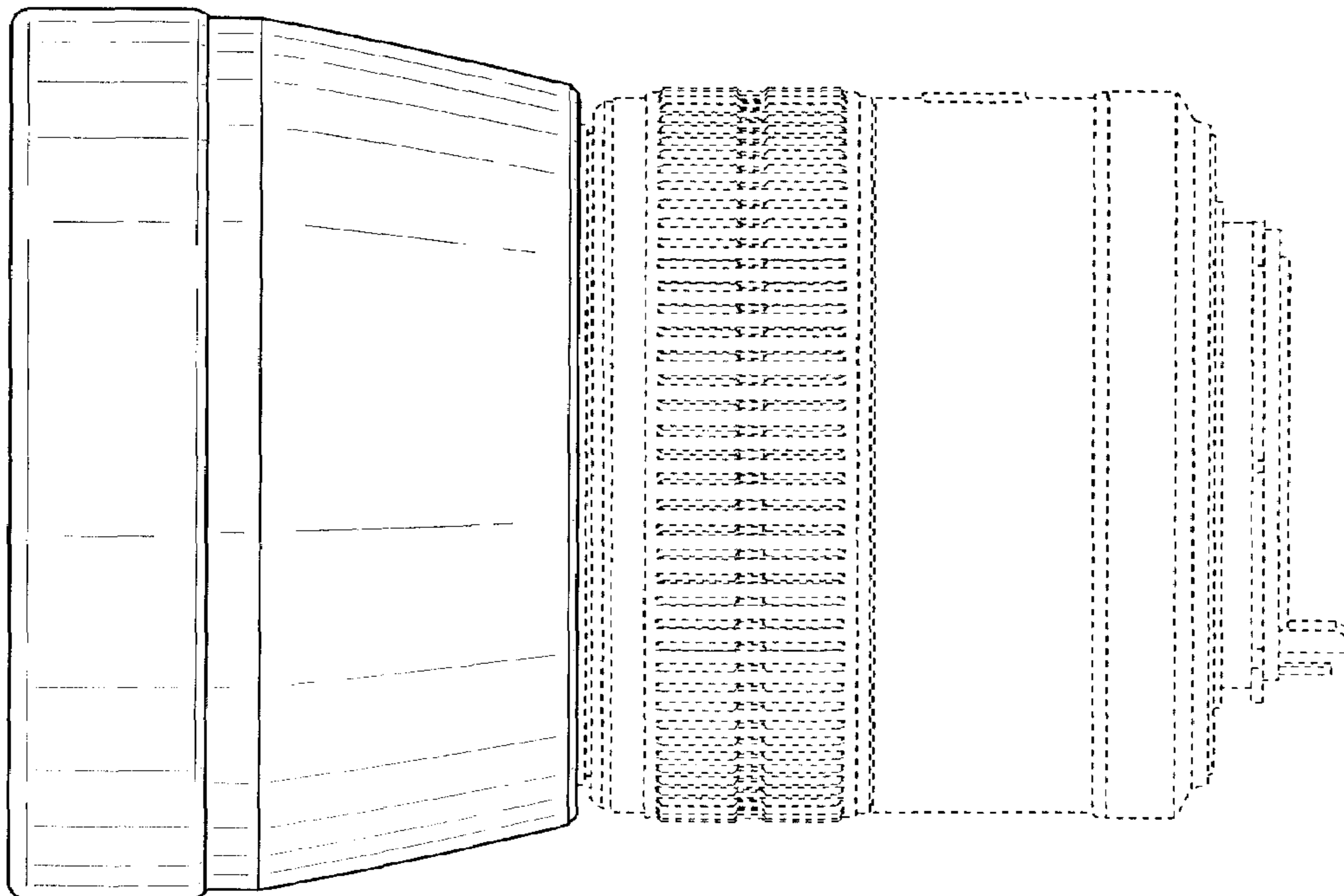


FIG. 7