



US00D597579S

(12) **United States Design Patent**
Obata

(10) **Patent No.:** **US D597,579 S**

(45) **Date of Patent:** **** Aug. 4, 2009**

(54) **CAMERA**

(75) Inventor: **Shinichi Obata**, Tokyo (JP)

(73) Assignee: **Sony Corporation**, Tokyo (JP)

(**) Term: **14 Years**

(21) Appl. No.: **29/287,501**

(22) Filed: **Aug. 15, 2007**

(30) **Foreign Application Priority Data**

Jun. 19, 2007 (JP) D2007-016315

(51) **LOC (9) Cl.** **16-01**

(52) **U.S. Cl.** **D16/218**

(58) **Field of Classification Search** D16/200–206,
D16/208, 217, 218; 348/373–376; 396/354–359,
396/535–541

See application file for complete search history.

(56) **References Cited**

U.S. PATENT DOCUMENTS

D388,109 S * 12/1997 Kimura et al. D16/217
D411,218 S * 6/1999 Kumakura et al. D16/217
D486,168 S * 2/2004 Nakamura D16/202
D494,202 S 8/2004 Nakamura

D515,606 S * 2/2006 Nakamura D16/218

D528,580 S 9/2006 Sumita

D542,321 S * 5/2007 Takahashi D16/217

7,324,748 B2 * 1/2008 Abe et al. 396/357

D562,374 S * 2/2008 Miyashita D16/217

D567,835 S * 4/2008 Sumita D16/206

* cited by examiner

Primary Examiner—Adir Aronovich

(74) *Attorney, Agent, or Firm*—Rader, Fishman & Grauer,
PLLC

(57) **CLAIM**

The ornamental design for a camera, as shown.

DESCRIPTION

FIG. 1 is a top, front and right side perspective view of a camera showing my new design;

FIG. 2 is a front elevational view thereof;

FIG. 3 is a rear elevational view thereof;

FIG. 4 is a left side elevational view thereof;

FIG. 5 is a right side elevation view thereof;

FIG. 6 is a top plan view thereof; and,

FIG. 7 is a bottom plan view thereof.

1 Claim, 7 Drawing Sheets

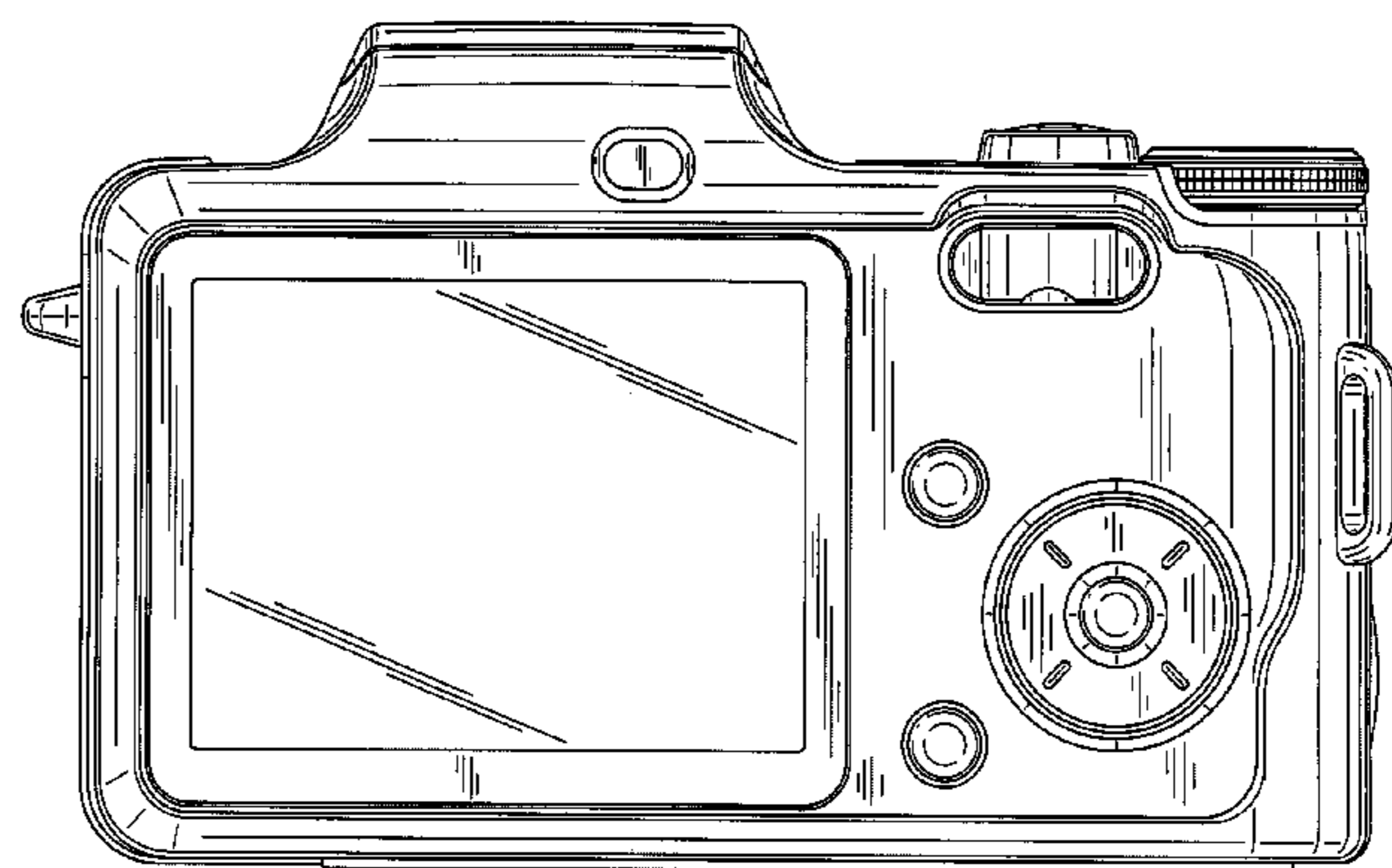
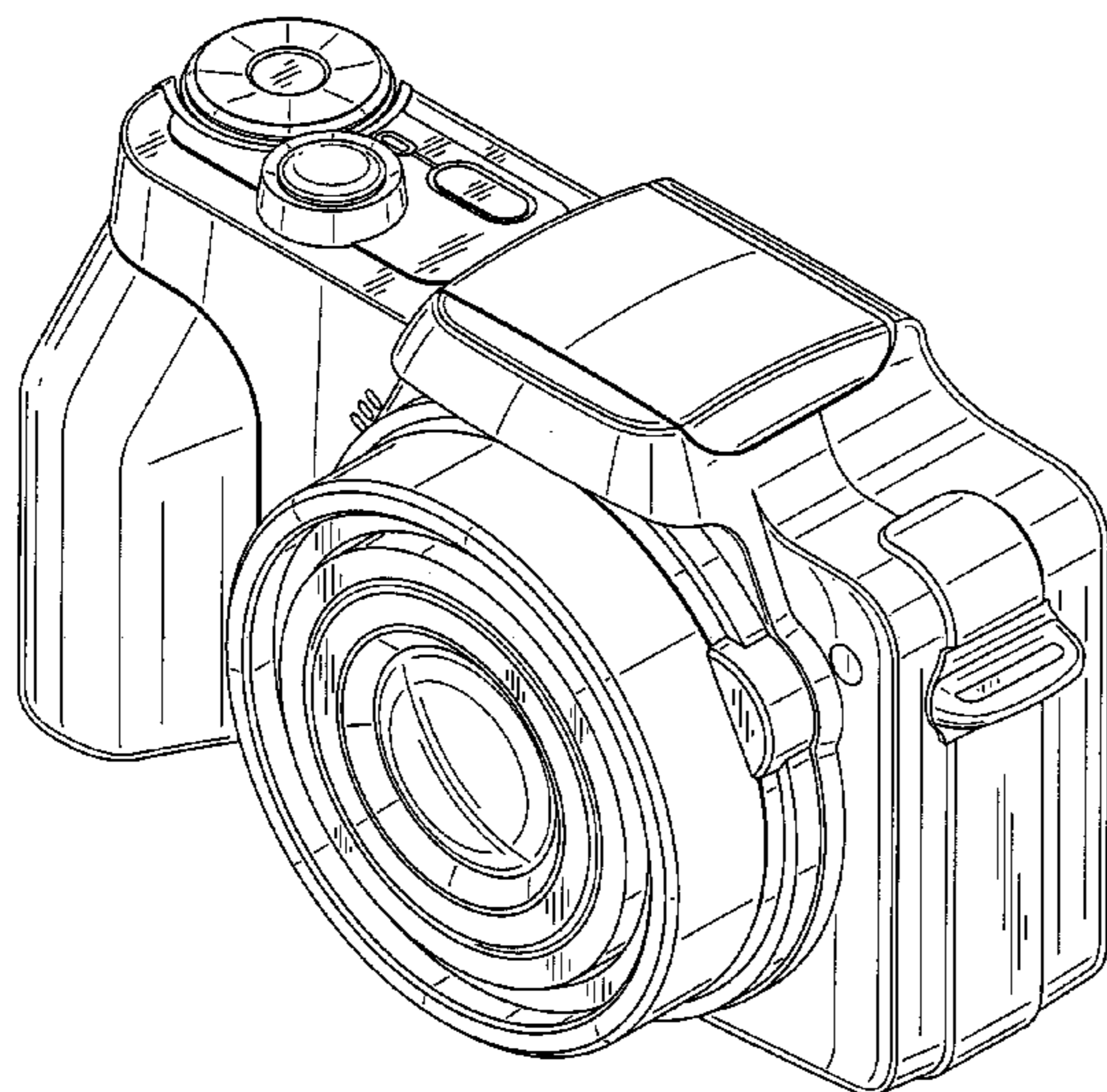


FIG.1

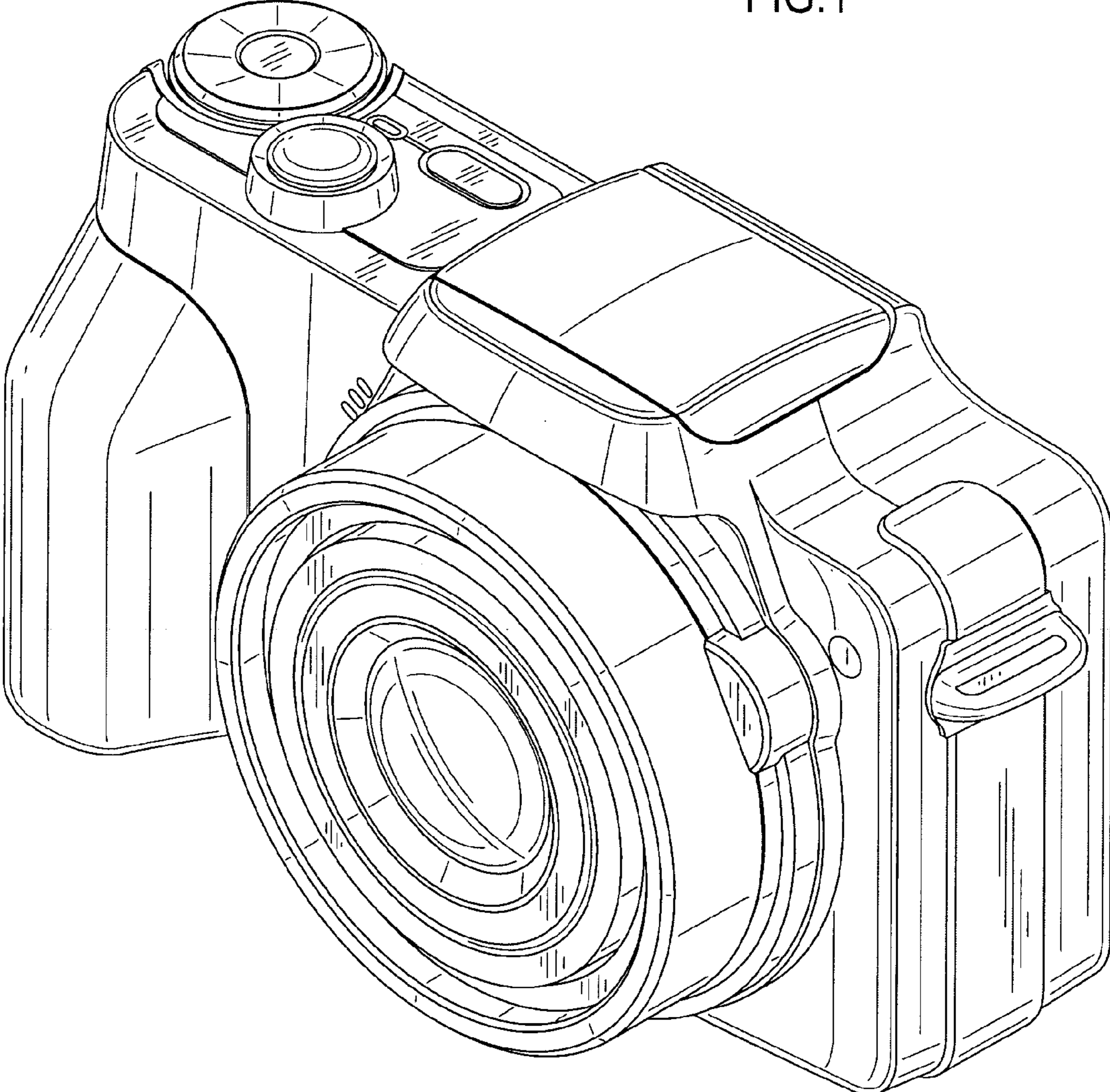


FIG.2

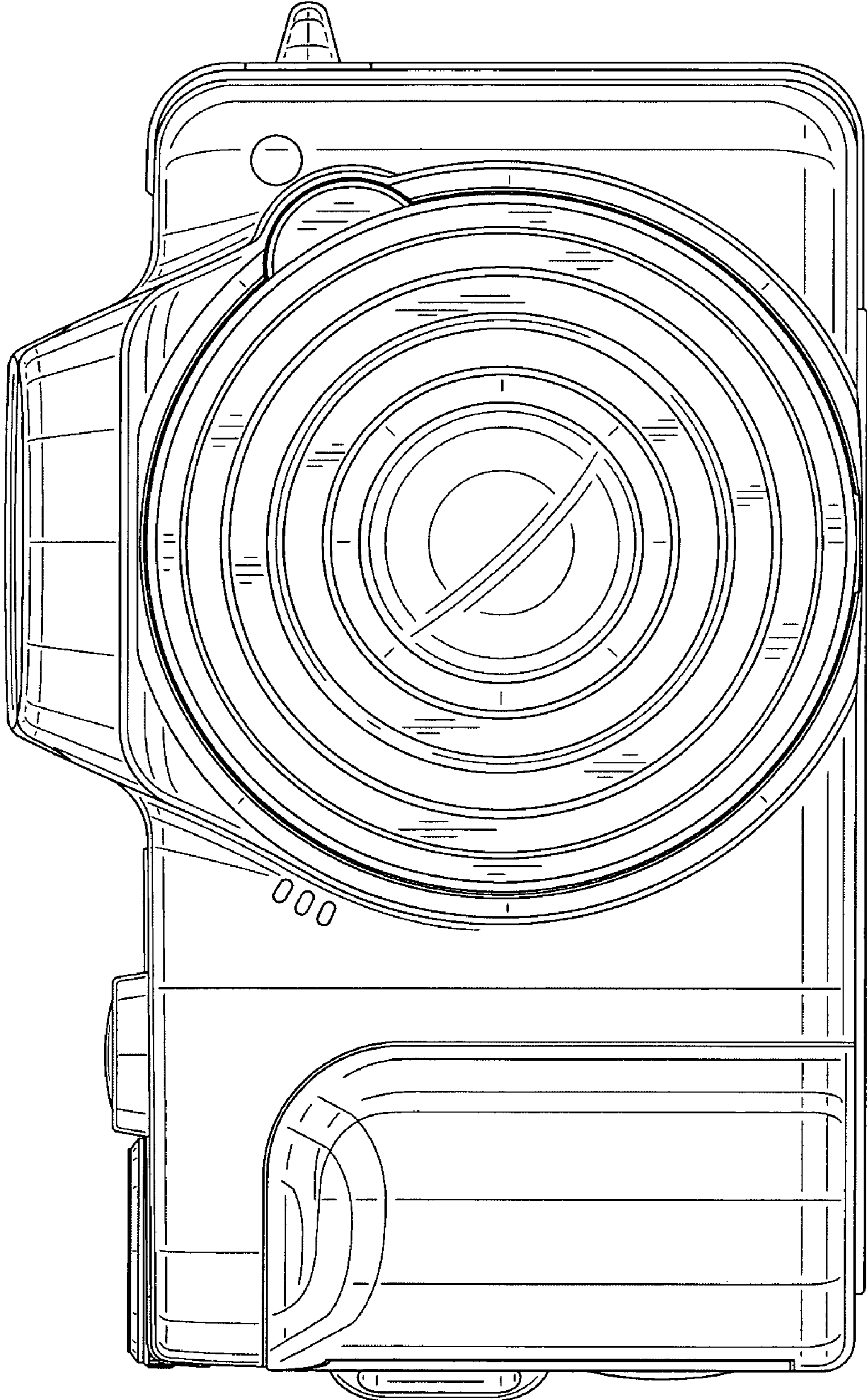


FIG.3

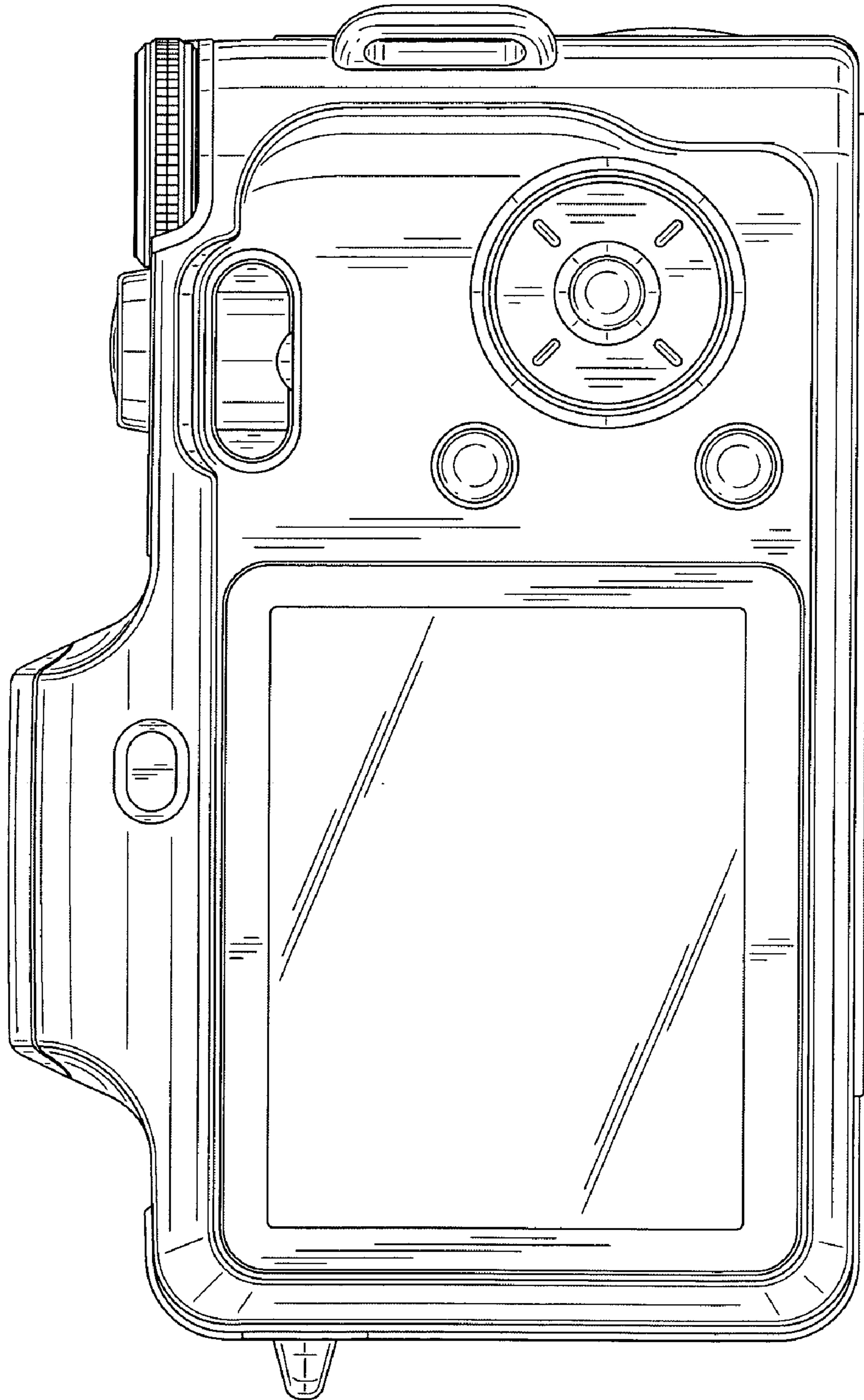


FIG.4

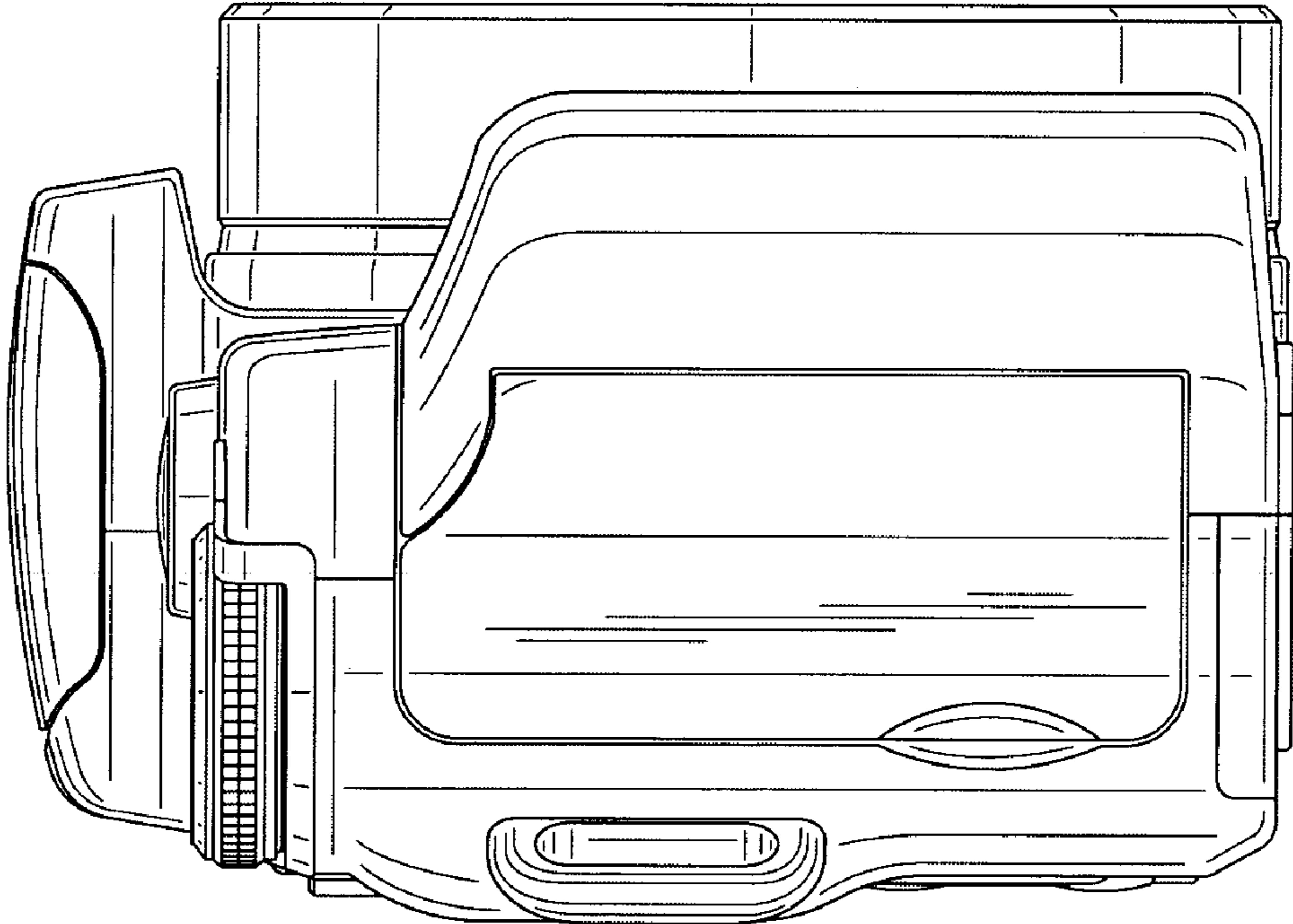


FIG.5

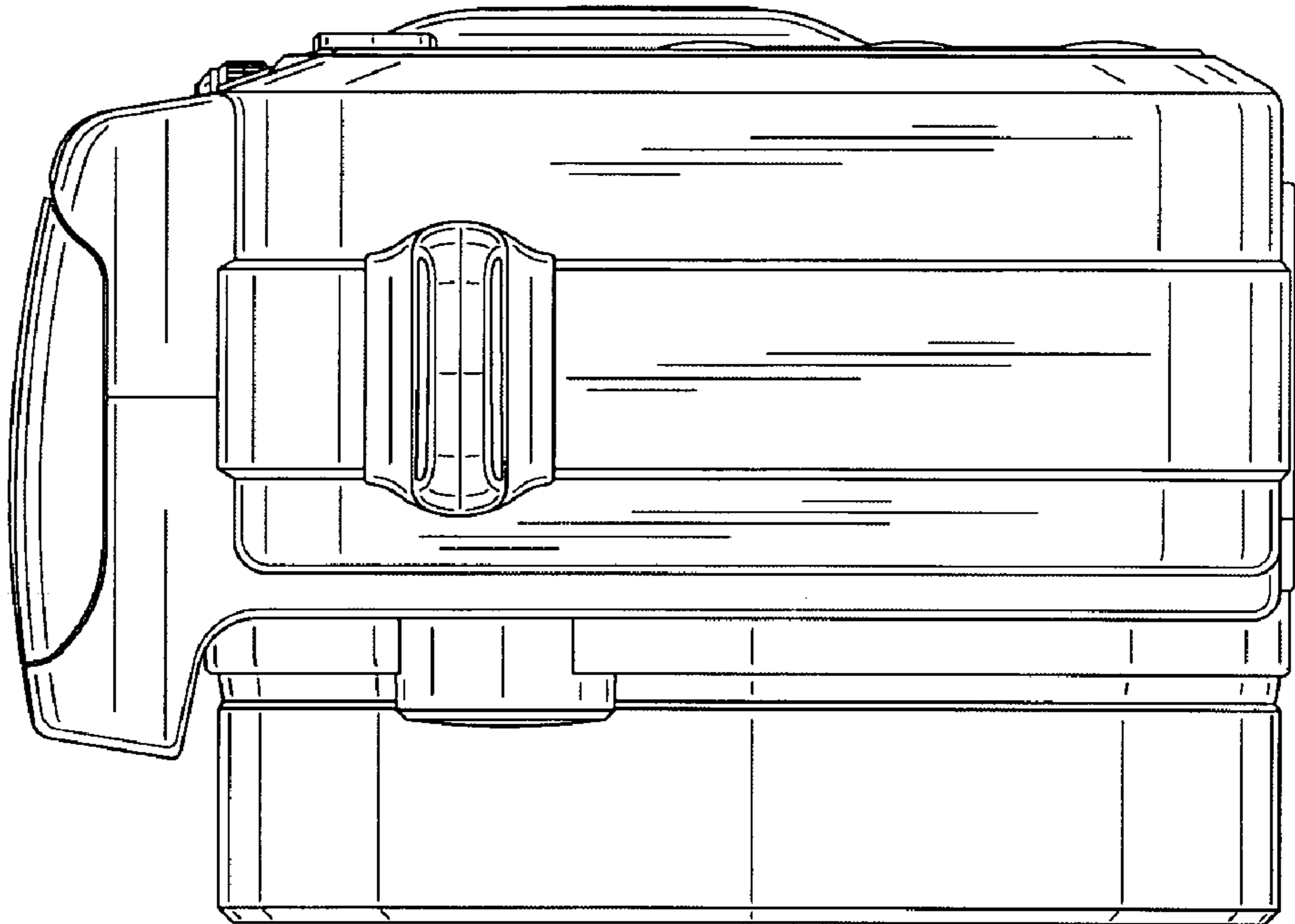


FIG.6

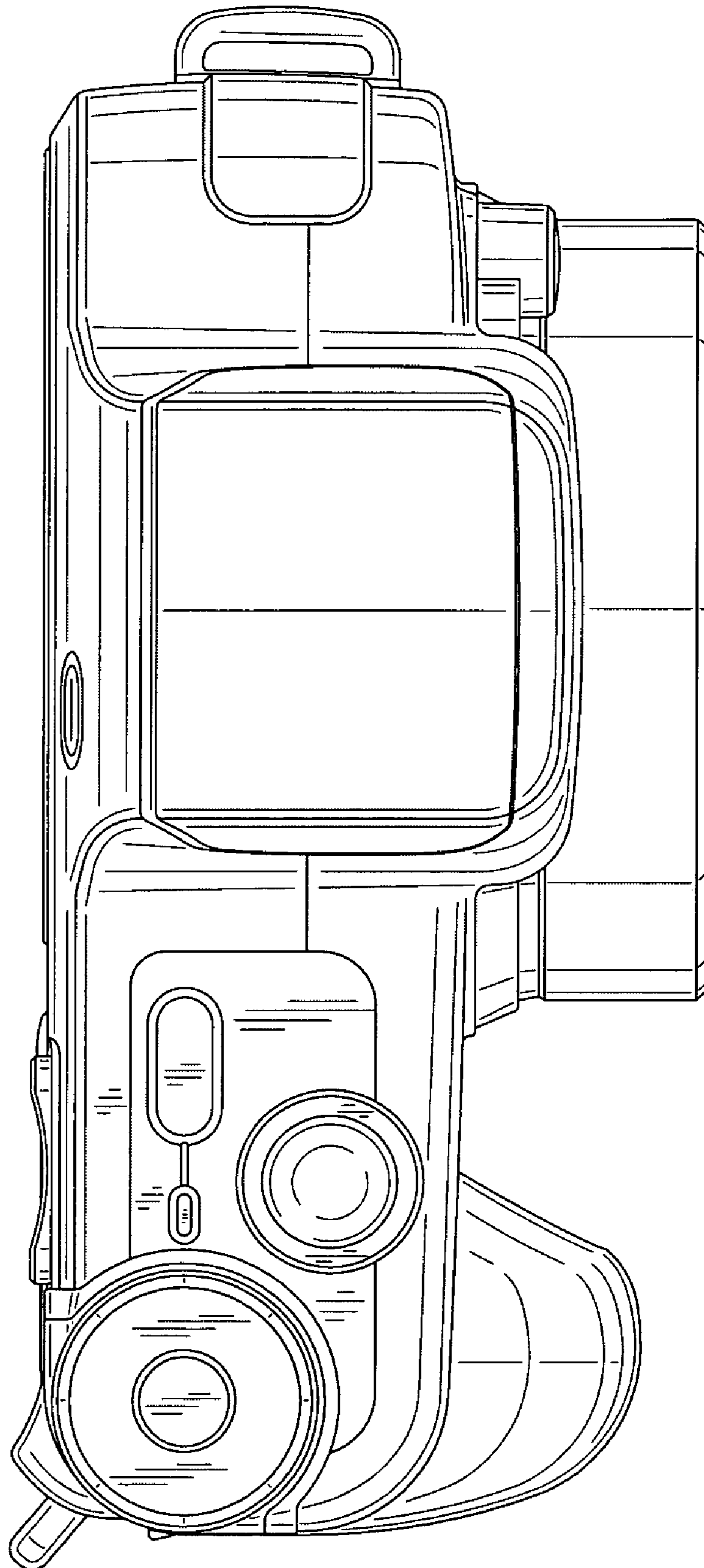


FIG.7

